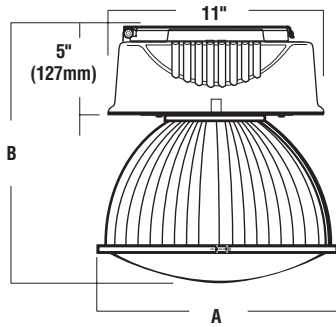


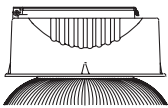
AUGUSTA® IMAGE



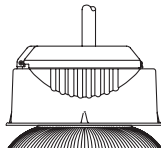
Catalog Number	A	B
AC12	12-1/2" (318mm)	12-3/4" (324mm)
AC12SA	12-1/2" (318mm)	14-1/4" (362mm)
AC12FG	12-1/2" (318mm)	12-3/4" (324mm)
AC16	16-1/2" (419mm)	16" (406mm)
AC16SA	16-1/2" (419mm)	17-1/2" (445mm)
AC16FA	16-1/2" (419mm)	16" (406mm)

For pendant mount, add 1" in height. Acrylic frosted refractor/lens - Same dimension as clear.

MOUNTING OPTIONS

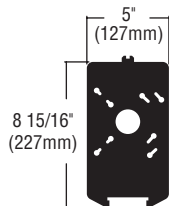


AUD
Direct Mount



AUP
Pendant Mount

DIRECT MOUNT HINGE PLATE



HOUSING - Round, one-piece die-cast aluminum with a powder coated galvannealed ballast cover.

REFRACTORS - All refractors have a silicone gasket which seals the refractor to the ballast cover. This protects the enclosed fixtures from entry of bugs and moisture.

ACRYLIC REFRACTORS - 12" and 16" diameter - Injection molded, acrylic, prismatic refractors are available open or enclosed. Optional lenses include sag clear acrylic (12" and 16"), and flat clear tempered glass (12"). The optional lens is attached with a spring-loaded clamp band for easy relamping. 12" and 16" refractors and 12" flat tempered glass lenses are available frosted.

SOCKETS - On 175 and 200 Watt Pulse-Start Metal Halide the 12" refractors are supplied with medium-base sockets. Porcelain mogul-base sockets are supplied on 250, 320, and 350 Watt fixtures. Sockets are pulse-rated. The Compact Fluorescent fixtures feature a one-piece thermoplastic socket.

LIGHT SOURCES - Pulse-Start Metal Halide, and Compact Fluorescent. Lamps supplied as standard - HID (clear, shipped installed) and Compact Fluorescent (coated - 4100K). A coated PSMV lamp is recommended with frosted refractors.

BALLAST - High-power factor ballast.

Pulse-Start Metal Halide fixtures feature a CWA ballast. HID ballasts are designed for -20°F operation. Electronic Compact Fluorescent ballasts have universal electronic (UE) voltage (120-277, 50/60Hz). Also available in 347 volt (60Hz). Compact Fluorescent ballasts are rated for 0°F starting. Fixtures with UE voltage are available with optional dimming ballast for use with multiple types of controls such as building lighting controls and occupancy sensors. CFL Multiple Light Levels are available.

DISTRIBUTION PATTERN - Type V (5).

Photometric data is tested in accordance with IESNA guidelines.

MOUNTING - Direct: Includes a hinged galvanized mounting plate with keyholes and captive screw for easy installation to a 4" square or octagonal junction box. An EPDM gasket seals the plate to the fixture.

Pendant: Includes a powder coated, die-cast aluminum, hinged pendant mount box that is provided with an adjustable conduit hub for hang-straight applications. For use with 3/4" rigid conduit.

FINISHES - Each fixture is finished with a polyester powder coat finishing process. The finish withstands extreme weather changes without cracking or peeling. Standard colors include gloss white, black, red, metallic silver and textured graphite. Optional colors are available at additional charge.

PHOTOMETRICS - Please visit our web site at www.lsi-industries.com for detailed photometric data.



damp location



ARRA
Funding Compliant



Project Name _____ Fixture Type _____

Catalog # _____

10/22/15

© 2015
LSI INDUSTRIES INC.

AUGUSTA® IMAGE



TYPICAL ORDER EXAMPLE: **AUD 320 PSMP MT AC16 MSV C**

Luminaire Prefix	Lamp Wattage	Light Source	Line Voltage ⁵	Refractor Material w/ Size	Housing Finish	Factory Installed Options		
AUGUSTA -	175 ² 200 ²	PSMV - Pulse-Start Metal Halide (Enclosed Optics) 175, 200 Watt	<table border="1"> <tr><td>MT</td></tr> <tr><td>TT</td></tr> </table> 480	MT	TT	AC12 12" dia. Acrylic - Open ^{5,6}	GWT - Gloss White	C - Coated Lamp (PSMV & PSMV) ⁸ Ceramic MH Lamp(Consult Factory) LL - Less Lamp
MT								
TT								
AUD-Direct Mount	250 ³ 320 ³ 350 ³	PSMP - Pulse-Start Metal Halide Protected (Open Optics) 250, 320, 350 Watt	AC12FG 12" dia. Acrylic - w/ Clear Flat Tempered Glass Lens ^{5,7} AC12FFG 12" dia. Acrylic - w/ Frosted Flat Tempered Glass Lens ^{5,7} AC16 16" dia. Acrylic - Open ⁵	GBK - Gloss Black	SF120 - 120V Single Fusing ⁹ DF208, 240 - 208, 240V Double Fusing ⁹ SF277 - 277V Single Fusing ⁹ SF347 - 347V Single Fusing ⁹			
AUP ¹⁻ Pendant Mount (Conduit Sold Separately)	26 32 42 57 70	CFL - Compact Fluorescent Single 26, 32, 42, 57, 70 Watt CFL2 - Compact Fluorescent Double 26, 32, 42, 57, 70 Watt CFL3 - Compact Fluorescent Triple 26, 32, 42, 57 Watt CFL4 - Compact Fluorescent Quad 26, 32, 42 Watt	UE - Universal Electronic (120-277 50/60 Hz) 347 (60 Hz) ⁴	AC12 12" dia. Acrylic - Open ^{5,6} AC12SA 12" dia. Acrylic - w/ Clear Acrylic Sag Lens ^{5,6,12} AC12FG 12" dia. Acrylic - w/ Clear Flat Tempered Glass Lens ^{5,7} AC12FFG 12" dia. Acrylic - w/ Frosted Flat Tempered Glass Lens ^{5,7} AC16 16" dia. Acrylic - Open ⁵ AC16SA 16" dia. Acrylic - w/ Clear Acrylic Sag Lens ^{5,12}	GPT - Textured Graphite GRD - Gloss Red MSV - Metallic Silver	HCPXXX - (Specify 120, 208, 240, 277, or 480V) - Hook, 3 ft. Cord and NEMA Configured Plug LCPXXX - (Specify 120, 208, 240, 277, or 480V) - Loop, 3 ft. Cord and NEMA Configured Plug SQT - Stand-by Quartz (Time Delay) ¹⁰ SQN - Stand-by Quartz (Non-Time Delay) ¹⁰ EQ - Emergency Quartz Lighting (Separate Circuit) ¹⁰ DIM - CFL Control Voltage Dimming Ballast ¹¹ CFL Multiple Light Levels MLL2 - Two Level Control MLL3 - Three Level Control		

MT - Multi Tap consists of 120V, 208V, 240V and 277V and is prepared for highest voltage. Alternate voltages will require field adjustment.
TT - Tri-Tap consists of 120V, 277V and 347V and is shipped standard for Canadian applications and is prepared for highest voltage. Alternate voltages will require field adjustment.

FOOTNOTES:

- 1- Order AUP for use with hook or loop.
- 2- 175 and 200 Watt, in 12" refractors, supplied with medium-base sockets.
- 3- 250, 320 and 350 Watt available in 16" refractors only. Do not use multi-watt lamps.
- 4- 347V not available with Dimming Ballast (DIM) option.
- 5- Also available with a frosted refractor. Add F to AC (i.e. AC12 to AC12F).
- 6- Can use 200 Watt HID and 42 Watt CFL Single, Double, Triple and Quad configurations maximum. AC12SA cannot be used with PSMV light source.
- 7- Can use 200 Watt HID and 42 Watt CFL Single and Double configurations, and 32 Watt Triple and Quad configurations maximum.
- 8- Recommended with frosted acrylic refractor.
- 9- Factory installed fusing available on Pendant Mount unit only.
- 10- HID fixtures 250 Watt and below shipped with 100 Watt quartz lamp. HID fixtures 320 and above shipped with 250 Watt quartz lamp. Not available with CFL.
- 11- CFL Dimming Control by others. All lamps are dimmed.
- 12- Cannot be used with metal halide.

ACCESSORY ORDERING INFORMATION (Accessories are field installed)	
Description	Description
AH - Hook w/ 3/4" Male Threaded End+	FK120 - Single Fusing++
AL - Loop w/ 3/4" Male Threaded End+	DFK208, 240 - Double Fusing++
BC585 - Ball Aligner, 3/4" for Round J Box+	FK277 - Single Fusing++
BC585SQ - Ball Aligner, 3/4" for Sq. J Box+	DFK480 - Double Fusing++
CBWG16 - Clamp Band & Wire Guard 16" Acrylic Open	

+ Requires pendant mounting
 ++ Fuse kit must be located outside of the luminaire. Box supplied by others.
 Available with HID lamp source only.

NEMA Twist-Lock Plug reference	
120 Volt	NEMA #L515P
208/204 Volt	NEMA #L615P
277 Volt	NEMA #L715P
480 Volt	NEMA #L820P

Ballast Circuit Type		Type of circuit supplied as standard from factory
Lamp Type and Wattage	Circuit	
PSMV - 175, 200, 250, 320, 350 Watt	CWA	
CFL - 26, 32, 42, 57, 70 Watt	Electronic	



Project Name _____ Fixture Type _____
 Catalog # _____