

LED AUGUSTA® (AUD, AUP)



ENERGY SAVING CONTROL OPTION - DIM - 0-10 volt dimming enabled with controls by others.

EXPECTED LIFE - Minimum 60,000 to 100,000 hours depending upon the ambient temperature of installation location.

LEDS - Select high-brightness LEDs in Cool White (5000K), Neutral White (4000K) or Warm White (3500K) color temperature, CRI ≥ 80 (CW > 70) nominal.

DISTRIBUTION PATTERN - Symmetrical distribution with vertically tower-mounted LEDs.

HOUSING - Round one-piece die-cast aluminum with powder coated galvanized ballast cover.

REFRACTOR/LENS/GASKET - 16" diameter injection molded acrylic prismatic refractors are available (clear or frosted), and with a choice of no bottom lens (open) or with sag clear acrylic lens or flat clear acrylic lens. A silicon gasket seals the refractor to the ballast cover. Refractor is permanently secured to the ballast housing while bottom lens is attached with a spring loaded clamp band.

MOUNTING - Direct: Includes a hinged galvanized mounting plate with keyholes and captive screw for easy installation to a 4" square or octagonal junction box. An EPDM gasket seals the plate to the housing.

Pendant: Includes a powder coated, die-cast aluminum, hinged pendant mount box that is provided with an adjustable conduit hub for hang-straight applications. For use with 3/4" rigid conduit.

ELECTRICAL - Two-stage surge protection (including separate surge protection built into electronic driver) meets Location Category B. Available with universal voltage power supply 120-277VAC (UE - 50/60Hz input) and 347-480VAC.

DRIVERS - Available in Super Saver (SS) and High Output (HO) drive currents.

Components are fully encased in potting material for moisture resistance. Driver complies with FCC 47 CFR part 15 RFI/EMI standard.

OPERATING TEMPERATURE - -40°C to +40°C (-40°F to +104°F).

FINISH - Each fixture is finished with a polyester powder coat finishing process. Standard finish is gloss white. Also available in textured black, bronze, metallic silver and graphite (consult factory).

WARRANTY - LSI LED fixtures carry a limited 5-year warranty.

PHOTOMETRICS - Please visit our web site at www.lsi-industries.com for detailed photometric data.

SHIPPING WEIGHT (IN CARTON) - 21 lbs. (9.5 kg.)

LISTINGS - UL listed to U.S. and Canadian safety standards. Suitable for damp locations.

This product, or selected versions of this product, meet the standards listed below. Please consult factory for your specific requirements.



LIGHT OUTPUT - LED AUGUSTA (Clear Refractor)						
		Lumens (Nominal)			Watts (nominal)	LPW (Open)
		Sag Lens	Flat Lens	Open		
Cool White	SS	6460	6600	7000	59	119
	HO	9410	9420	9860	84	117
Neutral White	SS	5750	5860	6200	59	105
	HO	8270	8300	8700	84	104
Warm White	SS	5630	5750	6090	59	103
	HO	8150	8160	8560	84	102

LIGHT OUTPUT - LED AUGUSTA (Frosted Refractor)						
		Lumens (Nominal)			Watts (nominal)	LPW (Open)
		Sag Lens	Flat Lens	Open		
Cool White	SS	7070	7110	7340	59	124
	HO	9350	9480	9720	84	116
Neutral White	SS	6300	6320	6540	59	111
	HO	8780	8820	9120	84	109
Warm White	SS	6200	6210	6420	59	109
	HO	8610	8630	8930	84	106



LED AUGUSTA® (AUD, AUP)

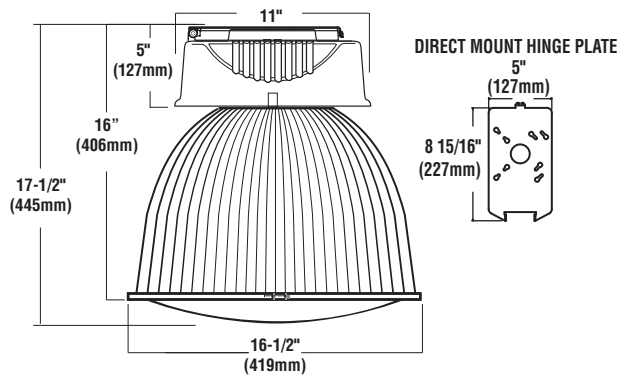
PRODUCT ORDERING INFORMATION

TYPICAL ORDER EXAMPLE: **AUP S LED HO CW UE AC16 GWT**

Prefix	Distribution	Light Source	Drive Current	Color Temp	Input Voltage	Refractor	Finish	Options
AUD Direct Mount	S - Symmetric	LED	SS - Super Saver	CW - Cool White (5000K)	UE - Universal Electronic (120-277V)	AC16 - 16" Clear Acrylic - Open ACF16 - 16" Frosted Acrylic - Open AC16FA - 16" Clear Acrylic with Clear Acrylic Flat Lens ACF16FA - 16" Frosted Acrylic with Clear Acrylic Flat Lens AC16SA - 16" Clear Acrylic with Clear Acrylic Sag Lens ACF16SA - 16" Frosted Acrylic with Clear Acrylic Sag Lens	GWT - Gloss White ¹ BRZ - Bronze BLK - Black GPT - Graphite MSV - Metallic Silver	DIM - 0-10V Dimming (from external signal)
AUP Pendant Mount			HO - High Output	NW - Neutral White (4000K) WW - Warm White (3500K)				

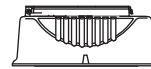
1 - Standard finish.

DIMENSIONS

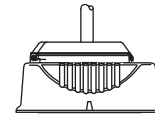


Pendant Mount – add 1" (25mm) height.

MOUNTING OPTIONS



AUD -Direct Mount



AUP -Pendant Mount



Project Name _____ Fixture Type _____

Catalog # _____