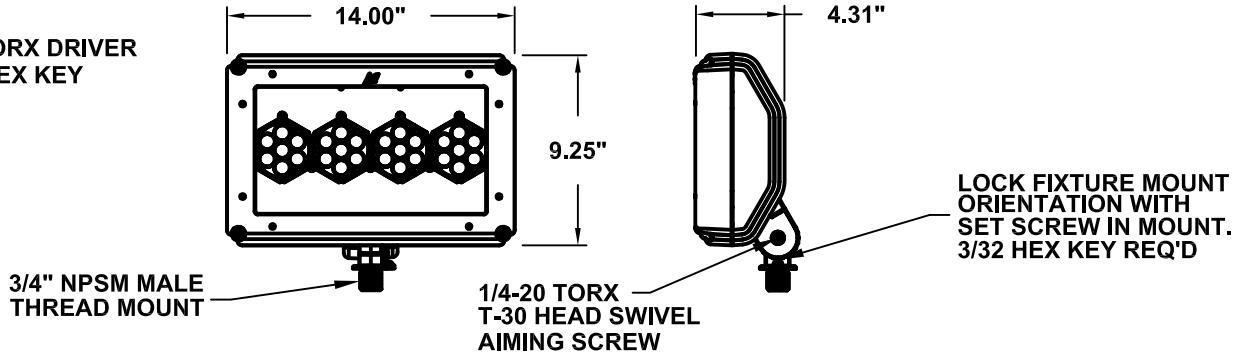


# XFLM SERIES INSTALLATION INSTRUCTIONS

- WARNING:** BEFORE PROCEEDING, READ ALL INSTRUCTIONS CAREFULLY TO INSURE PROPER AND SAFE INSTALLATION.  
**WARNING:** RISK OF FIRE OR ELECTRICAL SHOCK. DISCONNECT POWER BEFORE INSTALLING OR SERVICING.  
**WARNING:** RISK OF ELECTRICAL SHOCK.  
**WARNING:** ALL WIRING TO BE PERFORMED PER NATIONAL ELECTRICAL CODE AND LOCAL CODE BY A QUALIFIED ELECTRICIAN.  
**WARNING:** VERIFY THAT SITE INPUT VOLTAGE MATCHS DRIVER VOLTAGE RATING BEFORE WIRING.  
**WARNING:** FAILURE TO FOLLOW THE INSTRUCTIONS COULD RESULT IN DAMAGE TO THE PRODUCT & VOID ALL WARRANTIES!  
**NOTE:** KEEP THESE INSTRUCTIONS FOR FUTURE REFERENCE.

## ARM MOUNT:

TOOLS REQ'D: T30 TORX DRIVER  
3/32 HEX KEY



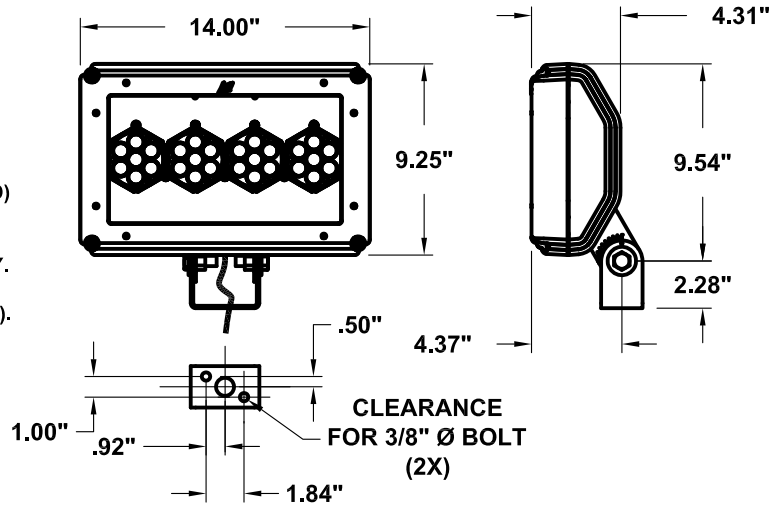
THIS FIXTURE MOUNTS TO A 3/4" NPSM FEMALE THREADED HUB. REFER TO JUNCTION BOX OR OTHER MOUNTING DEVICE INSTRUCTIONS FOR ATTACHMENT TO CONDUIT SYSTEM. SEE PAGES 3 & 4 FOR DETAILS ON MOUNTING ACCESSORIES AVAILABLE FROM LSI.

1. MAKE CERTAIN THE POWER SUPPLY IS TURNED OFF.
2. **IMPORTANT!** APPLY THREAD SEALANT OR TEFLON TAPE TO 3/4" NPSM ARM MOUNT THREADS TO PREVENT WATER ENTRY INTO J-BOX OR OTHER MOUNTING DEVICES WIRING COMPARTMENT.
3. IF USING LSI MODEL JB, SMC PT, J4R WM OR OTHER MOUNTING DEVICE, TAKE CARE TO KEEP FIXTURE LEVEL TO PREVENT POSSIBLE ARM THREAD DAMAGE BY CROSS THREADING INTO 3/4-14 FEMALE HUB THREADS.
4. SEE PAGE 2 FOR ELECTRICAL CONNECTION INFORMATION.
5. MAKE SUPPLY WIRE CONNECTIONS IN J-BOX OR OTHER MOUNTING DEVICE (AS ORDERED).

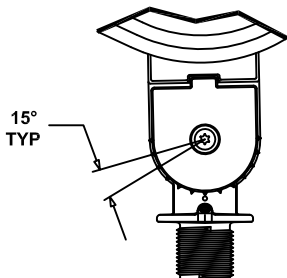
## YOKE MOUNT:

TOOLS REQ'D: 3/4 HEX SKT RATCHET  
3/4 WRENCH, 9/16 WRENCH

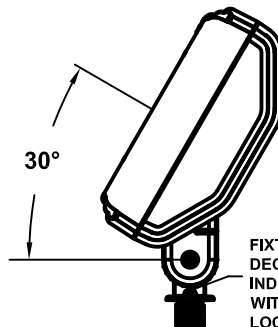
1. MAKE CERTAIN THE POWER SUPPLY IS TURNED OFF.
2. MOUNT FIXTURE USING 2EA 3/8" Ø BOLTS (BY OTHERS).
3. USE ANCHORS (BY OTHERS) APPROPRIATE FOR MOUNTING ON SITE SURFACE SUBSTRATE.
4. YOKE MOUNT FIXTURE SUPPLY CORD (24" PIGTAIL PROVIDED) MUST BE INSTALLED USING A LIQUID TIGHT CORD GRIP CONNECTOR (BY OTHERS) INSTALLED TO A WET LOCATION RATED J-BOX OR MOUNTING DEVICE TO MAINTAIN INTEGRITY.
5. SEE PAGE 2 FOR ELECTRICAL CONNECTION INFORMATION.
6. MAKE SUPPLY WIRE CONNECTIONS IN J-BOX (NOT INCLUDED).



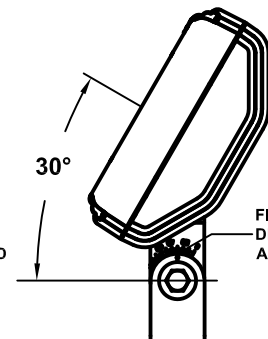
## AIMING ADJUSTMENT:



LOOSEN 1/4-20 TORX SCREW WITH T-30 WRENCH. ADJUST FIXTURE TO THE DESIRED ANGLE & RETIGHTEN SCREW. LOCKING PLATE & SWIVEL ARM TEETH LOCK EVERY 7 1/2°.



FIXTURE IS AIMED @ 30 DEGREES WHEN ANGLE INDICATOR DOT IS ALIGNED WITH CENTER ARROW ON LOCKING PLATE



FIXTURE IS AIMED @ 30 DEGREES WHEN ARROW IS ALIGNED WITH 30.

# XFLM SERIES

## INSTALLATION INSTRUCTIONS

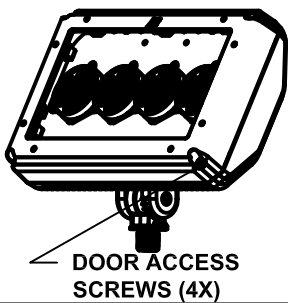
### ELECTRICAL CONNECTION:

<u>INPUT HOT</u>	●	<u>BLACK FIXT LEAD</u>
<u>INPUT NEUTRAL</u>	●	<u>WHITE FIXT LEAD</u>
<u>INPUT GROUND</u>	●	<u>GREEN FIXT LEAD</u>
* <u>OPTIONAL INPUT DIM +</u>	●	* <u>VIOLET FIXT LEAD DIMMING +</u>
* <u>OPTIONAL INPUT DIM -</u>	●	* <u>GREY FIXT LEAD DIMMING -</u>

\* 0-10V DIMMER  
REQUIRED  
(BY OTHERS)

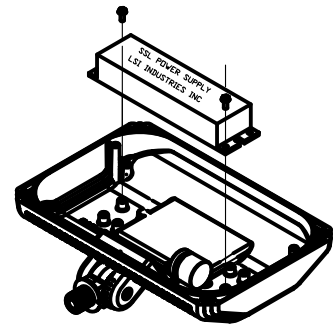
**WARNING:** VERIFY THE SITE INPUT VOLTAGE. MAKE SURE IT MATCHES THE VOLTAGE OF THE LUMINAIRE. SECURE ALL WIRING AND CONNECTIONS IN THE JUNCTION BOX OR MOUNTING DEVICE SEE PAGES 3 & 4.

**SERVICE:** TOOLS REQUIRED: T30 TORX DRIVER, T25 TORX DRIVER, 5/16 HEX DRIVER

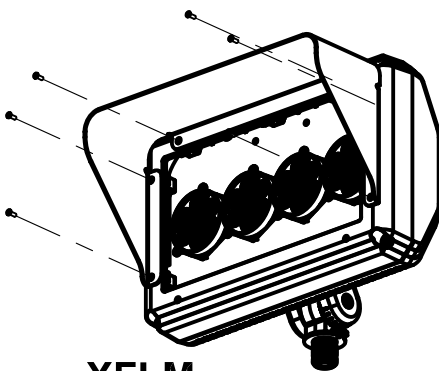


ACCESS FIXTURE FOR SERVICE BY LOOSENING 4EA DOOR ACCESS SCREWS WITH T30 TORX DRIVER, AND LIFTING DOOR UP TO ACCESS LED POWER SUPPLY. REMOVE 2 POWER SUPPLY MOUNTING SCREWS AND REMOVE AND REPLACE POWER SUPPLY. REPLACE DOOR AND TORQUE SCREWS UNTIL COMPRESSION LIMITERS ON HOUSING SEAT FIRMLY AGAINST DOOR ON ALL 4 CORNERS. 40-45 IN/LBS TORQUE MIN.

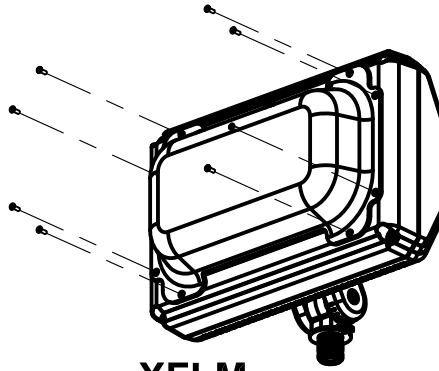
**! IMPORTANT !** USE ONLY LED POWER SUPPLY OBTAINED FROM LSI INDUSTRIES TO ASSURE CORRECT DRIVE CURRENT IS SUPPLIED TO LED SSL'S. SEE LABEL ON POWER SUPPLY FOR RE-ORDERING.



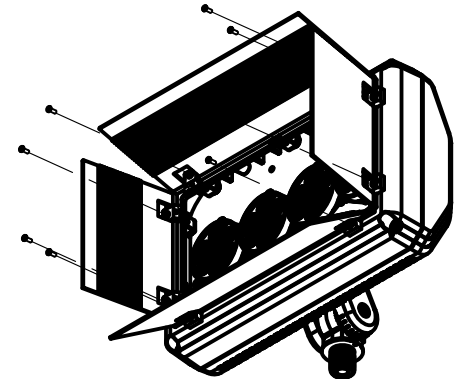
### OPTIONAL ACCESSORY SHIELD MOUNTING



**XFLM  
GLARE SHIELD**



**XFLM  
VANDAL SHIELD**



**XFLM  
BARN DOORS**

#### GENERAL ACCESSORY MOUNTING:

ALL ACCESSORIES ARE SUPPLIED WITH (8) #10 TAPTITE THREAD FORMING SCREWS. TO DRIVE THESE SCREWS LSI'S P/N 34218 TORX T-25 DRIVE BIT IS REQ'D (ORDERED SEPARATELY). A CORDLESS ELECTRIC SCREWDRIVER WITH CLUTCH IS REQ'D FOR SCREW INSTALLATION. DRIVING THE SCREWS FIRST TO FORM THE THREADS PRIOR TO ACCESSORY INSTALLATION IS RECOMMENDED.

#### GLARE SHIELD INSTALLATION:

MOUNT SHIELD AS ILLUSTRATED. GLARE SHIELD CAN BE USED WITH VANDAL SHIELD OPTION. GLARE SHIELD CAN BE MOUNTED ALONG BOTTOM OF DOOR FRAME FOR DOWN AIMING INSTALLATIONS ONLY.

#### VANDAL SHIELD INSTALLATION:

MOUNT VANDAL SHIELD AS ILLUSTRATED. FOR USE ONLY WHEN VANDALISM IS ANTICIPATED. DUE TO ULTRA VIOLET EXPOSURE FROM SUNLIGHT, METAL HALIDE, OR MERCURY VAPOR LAMPS, HAZING AND DISCOLORATION OF THE POLYCARBONATE SHIELD SHOULD BE EXPECTED. WHEN FLOOD LIGHT BEAM IS NOTICEABLY DIMINISHED THE SHIELD SHOULD BE REPLACED.

#### BARN DOOR INSTALLATION:

BARN DOORS ARE TYPICALLY MOUNTED AS ILLUSTRATED. DOORS ARE INDIVIDUALLY REMOVABLE. BARNDOOR MOUNTING KIT CONSISTS OF MOUNTING CLAMPS W/SETSCREWS & (8) #10 TAPTITE SCREWS. BARNDOORS SHOULD BE MOUNTED AS SHOWN, AND SETSCREWS TIGHTENED TO LOCK INDOOR POSITIONS. BARNDOORS ARE NOT RECOMMENDED FOR GROUND MOUNTED FIXTURES IN VANDAL PRONE AREAS.

### MAINTENANCE

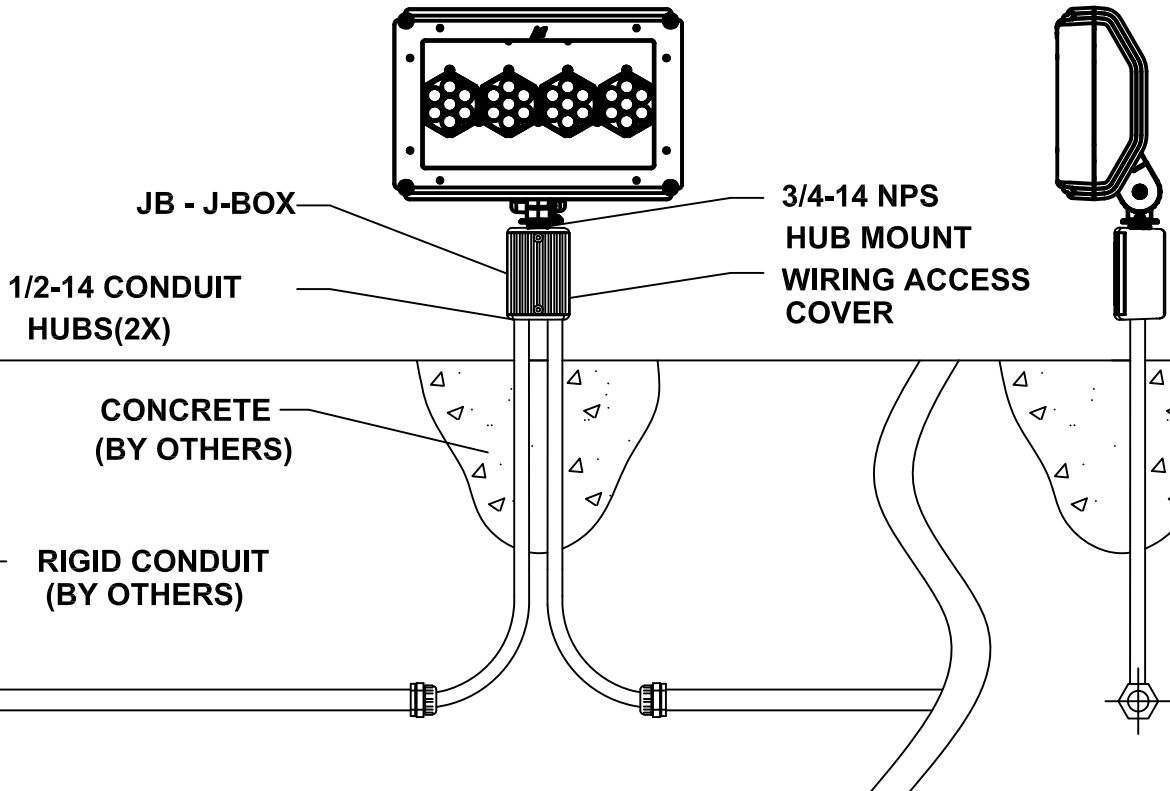
THIS FIXTURE SHOULD BE PERIODICALLY MAINTAINED. LEAVES, INSECTS, AND DEBRIS SHOULD NOT BE ALLOWED TO ACCUMULATE ON THE LENS. HARD WATER STAINS ON THE LENS SHOULD BE REMOVED ANNUALLY WITH VINEGAR.

IF SERVICE PARTS ARE REQUIRED A PARTS LIST CAN BE OBTAINED BY CONTACTING YOUR LOCAL DISTRIBUTOR OR CALLING LSI SOLUTIONS PLUS CUSTOMER SERVICE @ 513-793-3200.

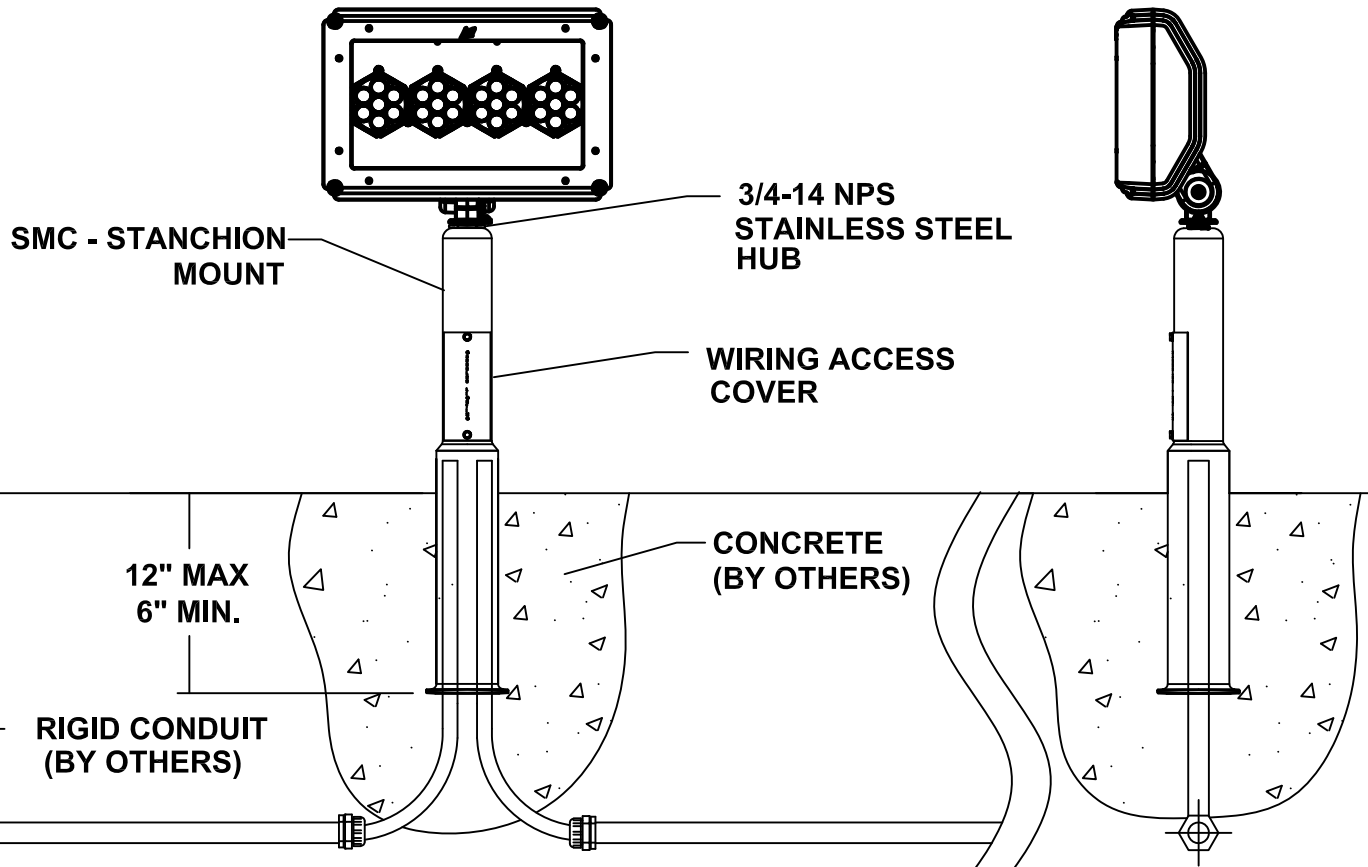
FAILURE TO FOLLOW THE MANUFACTURERS INSTRUCTIONS, OR MAKING ANY MODIFICATIONS TO THE PRODUCT CAN VOID THE WARRANTY. FIXTURE FAILURES RESULTING FROM POOR MAINTENANCE OR ABUSE WILL NOT BE COVERED BY WARRANTY. CONSULT WARRANTY FOR FULL DETAILS.

# XFLM SERIES INSTALLATION INSTRUCTIONS

## XFLM W/ JB ARCHITECTURAL J-BOX ACCESSORY

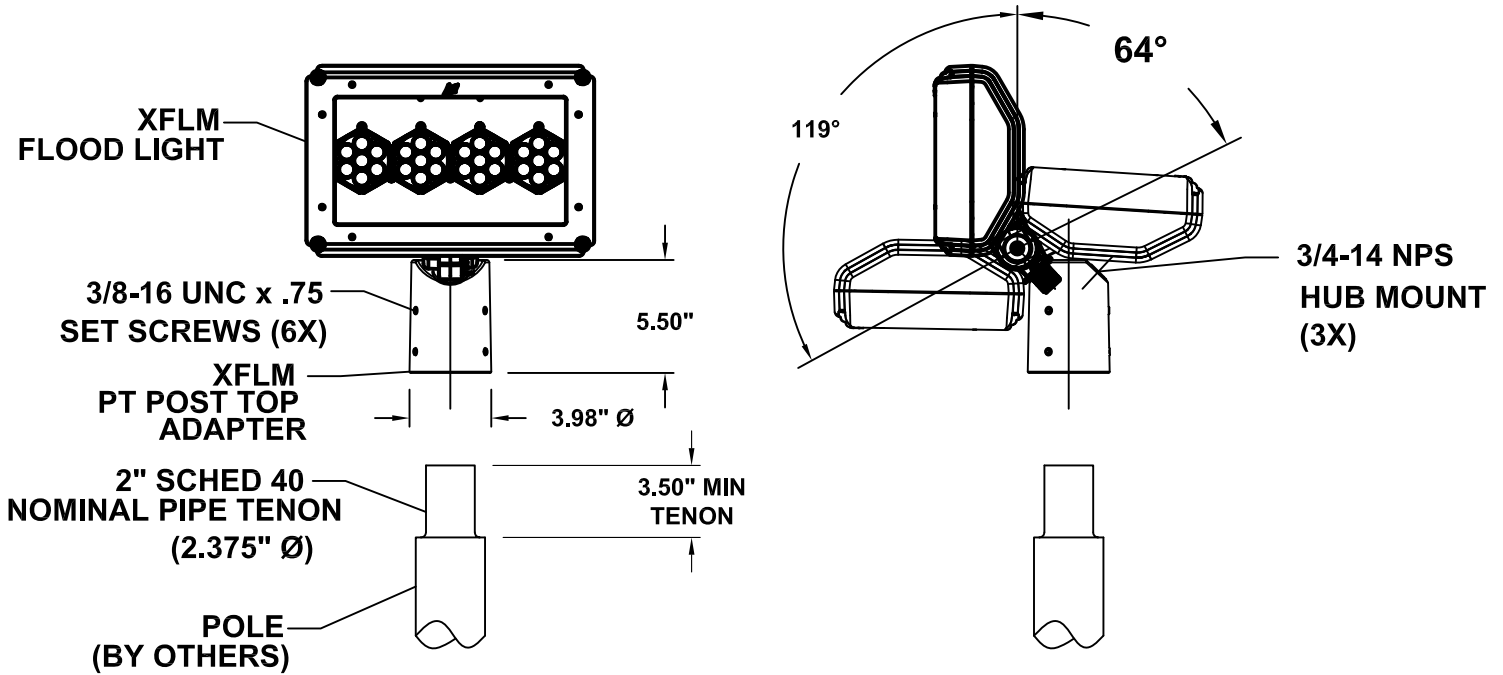


## XFLM W/ SMC STANCHION MOUNT ACCESSORY

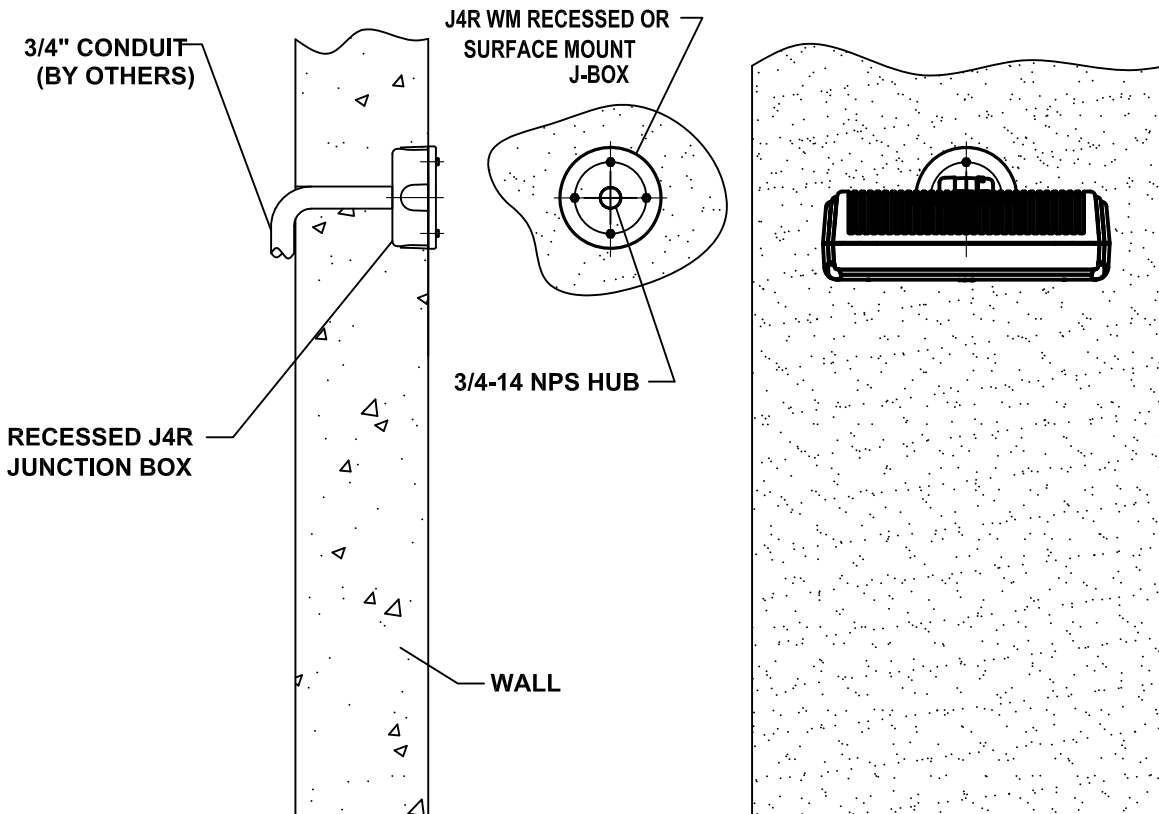


# XFLM SERIES INSTALLATION INSTRUCTIONS

## XFLM W/ PT POST TOP ADAPTER ACCESSORY



## XFLM W/ J4R WM or J4R WM SCE WALL MOUNT J-BOX ACCESSORY



*A Company with a Smart Vision*

**INSTALLATION QUESTIONS?**  
 CALL LSI FIELD SERVICE  
 800-436-7800 EXT 3300  
 FAX 513-984-9723