

LIGHT SOURCE

Long life name brand LED chips and boards to ensure the highest of quality while providing even and smooth illumination throughout our luminaires.

Our luminaires are available in 2700K, 3000K, 3500K and 4000K color temperature as well as White Color Tuning (2700-6500K).

Optional 80CRI or 90CRI available in all CCT options.

LUMEN MAINTENANCE

The projected lumen maintenance of the name brand mid-powered LED's are projected to maintain 80% (L80) of their initial output for +80,000 hours.

CONSTRUCTION

The housings are constructed of (6063T5) extruded aluminum. Our internal joiner system is designed to the highest of standards to ensure our precision cut housings align and fit tightly without light leak. Our precision fitting end caps are constructed out of die cast aluminum and our steel reflectors are painted white.

FINISH

Polyester powder, low gloss textured paint finish applied after a multi-stage pretreatment. Standard luminaire finishes include white, silver, and black. Custom color options are available. (Consult Factory).

OPTICS

Snap in extruded frosted acrylic lens

DRIVERS

All of our luminaires come standard with 1% dimming and THD <20% utilizing 0-10v constant current protocol. 120v/277v is standard with the option of 347v. Drivers ambient operating temperature -30°C to +50°C.

EMERGENCY

An integral factory installed 10 watt emergency battery pack. Emergency circuit and Night Light circuit options are available.

LUMINAIRE LENGTH

Our LNXX 2.0 Pendant Direct/Indirect luminaire series are available in 2', 3', 4', 5', 6', 7' and 8' individual lengths or continuous row configurations. Continuous row configurations are joined together on-site utilizing the joiner kits provided.

LUMINAIRE WEIGHT

The approximate weight of a four foot luminaire is 12 lbs Including end caps assembled.

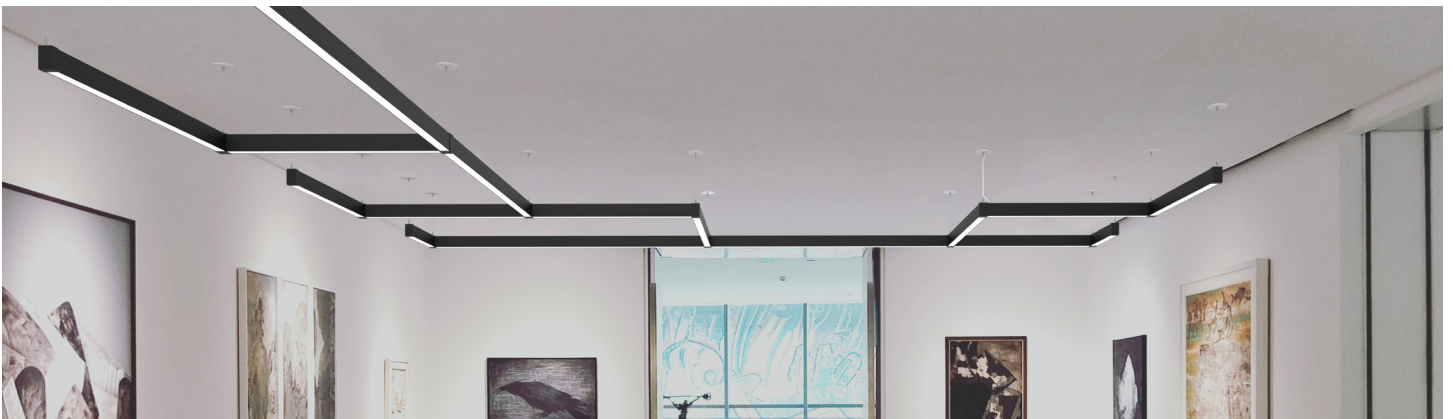
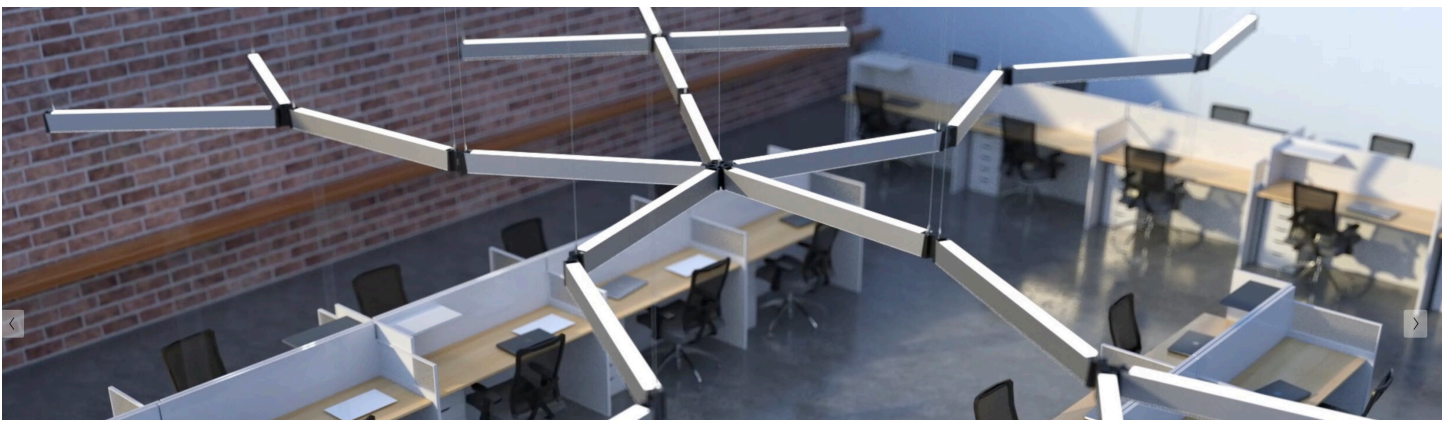
PATTERN GUIDE

V. Pivot		W. PIVOT CONNECTOR		X. PATTERN DIMENSIONS	Y. PIVOT FINISH		Z. PATTERN ORIENTATION
Pivot	PIV	2L 3L 4L 5L ELV8 ELV12 ELV16 ELV20 ELV24 ELV28 ELV32 ELV36 ML(#) MELV(#)	2 Link 3 Link 4 Link 5 Link 8" Elevation Change 12" Elevation Change 16" Elevation Change 20" Elevation Change 24" Elevation Change 28" Elevation Change 32" Elevation Change 36" Elevation Change Multiple Links Multiple Elevation Changes	AxB AxBxC AxBxCxD AxBxCxDxE Total Footage <i>Run Lengths</i>	W B S CC	White Black Silver Custom Color	Custom Pattern - Sketch or Drawing Always Required ^C

PATTERN GUIDE

V. Centro		W. CENTRO CONNECTOR		X. PATTERN DIMENSIONS	Y. CENTRO FINISH		Z. PATTERN ORIENTATION
Centro	CEN	C-135L C-120L C-90L C-90T C-90X C-120Y C-135Y	135 Degree 2 Link 120 Degree 2 Link 90 Degree 2 Link 90 Degree 3 Link 90 Degree 4 Link 120 Degree 3 Link 135 Degree 3 Link	AxB AxBxC AxBxCxD AxBxCxDxE Total Footage <i>Run Lengths</i>	W B S CC	White Black Silver Custom Color	Custom Pattern - Sketch or Drawing Always Required





STANDARD SINGLE LENGTH PIVOT PATTERN EXAMPLES



Adjustable 2 arm pivot connector.

PIV	2L	4X4	B	C
V	W	X	Y	Z

F

Above code gets entered in "F" LENGTH field of ordering guide.



Adjustable 3 arm pivot connector.

PIV	3L	4X4X4	B	C
V	W	X	Y	Z

F

Above code gets entered in "F" LENGTH field of ordering guide.



Adjustable 4 arm pivot connector.

PIV	4L	4X4X4X4	B	C
V	W	X	Y	Z

F

Above code gets entered in "F" LENGTH field of ordering guide.



Adjustable 5 arm pivot connector.

PIV	5L	3X3X3X3X3	B	C
V	W	X	Y	Z

F

Above code gets entered in "F" LENGTH field of ordering guide.



Adjustable elevator pivot connector.

PIV	ELV12	4X4	B	C
V	W	X	Y	Z

F

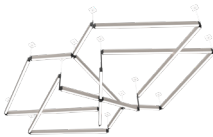
Above code gets entered in "F" LENGTH field of ordering guide.

NOTES

More detailed example on page 6

Customer to provide a drawing for all patterns with more than (1) pivot connector

CUSTOM LENGTH PATTERN EXAMPLES



PIV	ML(9)	MELV(6)	76	B	C
V	W	X	Y	Z	

F



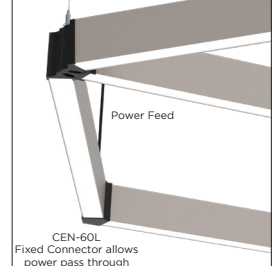
PIV-	ML(3)	CEN-60L(3)	24	B	C
V	W	X	Y	Z	

F

Above code using both Pivot and Centro connection points

PIV-3L

Adjustable Connector does not allow power pass through



CEN-60L Fixed Connector allows power pass through

Detailed Look

STANDARD SINGLE LENGTH FIXED CENTRO HUB PATTERN EXAMPLES



135L Centro Hub Fixed connector.

CEN	C-135L	4X4	B	C
V	W	X	Y	Z

F

Above code gets entered in "F" LENGTH field of ordering guide.



120L Centro Hub Fixed connector.

CEN	C-120L	4X4	B	C
V	W	X	Y	Z

F

Above code gets entered in "F" LENGTH field of ordering guide.



90L Centro Hub Fixed connector.

CEN	C-90L	4X4	B	C
V	W	X	Y	Z

F

Above code gets entered in "F" LENGTH field of ordering guide.



90T Centro Hub Fixed connector.

CEN	C-90T	3X3X3	B	C
V	W	X	Y	Z

F

Above code gets entered in "F" LENGTH field of ordering guide.



90X Centro Hub Fixed connector.

CEN	C-90X	4X4X4X4	B	C
V	W	X	Y	Z

F

Above code gets entered in "F" LENGTH field of ordering guide.



120Y Centro Hub Fixed connector.

CEN	C-120Y	4X4X4	B	C
V	W	X	Y	Z

F

Above code gets entered in "F" LENGTH field of ordering guide.



135Y Centro Hub Fixed connector.

CEN	C-135Y	3X3X3	B	C
V	W	X	Y	Z

F

Above code gets entered in "F" LENGTH field of ordering guide.



U.S. Patent No. US 11,112,101

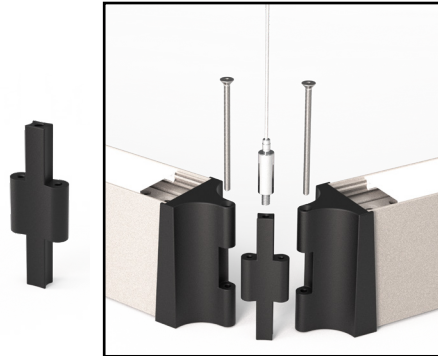
LNXX PIVOT CONNECTORS

Adjustable non-illuminated, pivot connectors allow for in-the-field adjustments from 60° - 240° in the field.

(AE)
Adjustable end cap



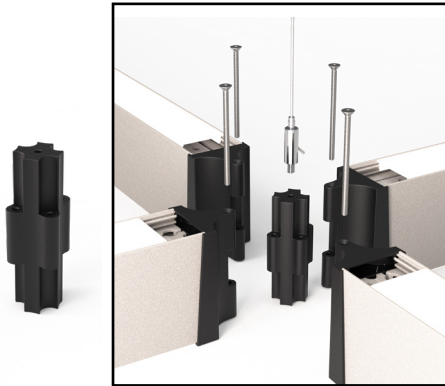
(PIV-2L)
Adjustable 2 arm pivot connector.



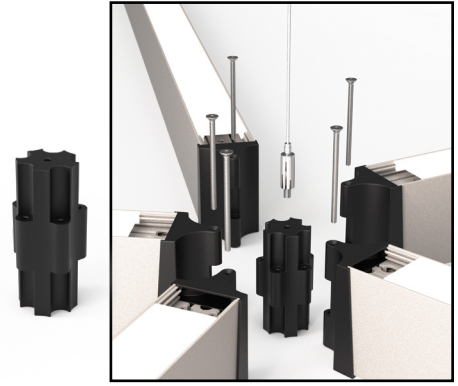
(PIV-3L)
Adjustable 3 arm pivot connector.



(PIV-4L)
Adjustable 4 arm pivot connector.

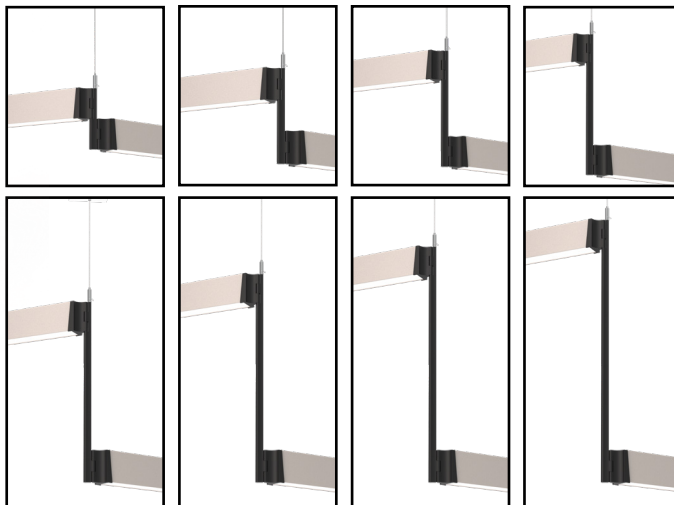


(PIV-5L)
Adjustable 5 arm pivot connector.



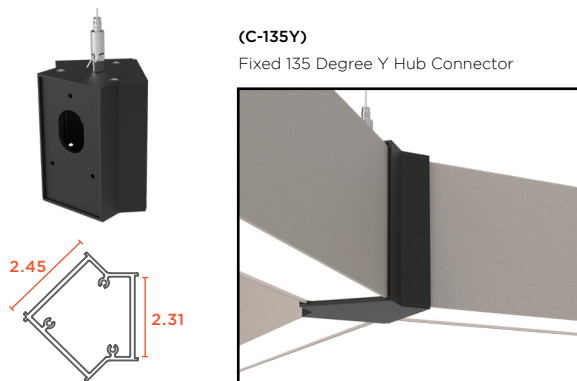
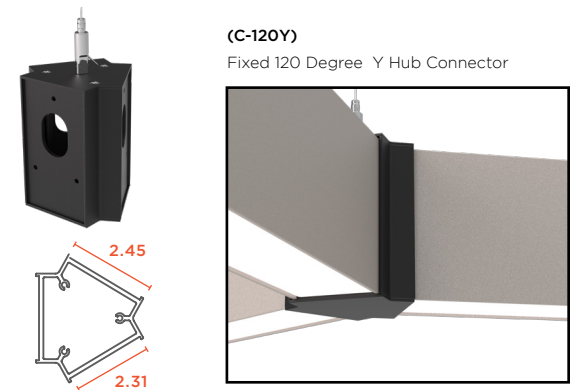
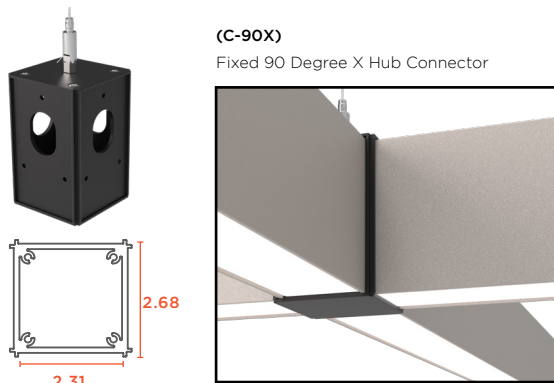
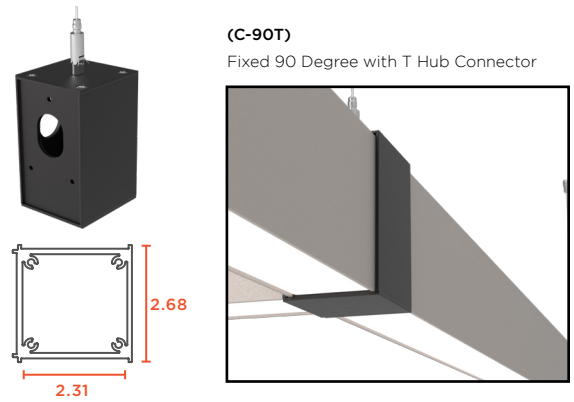
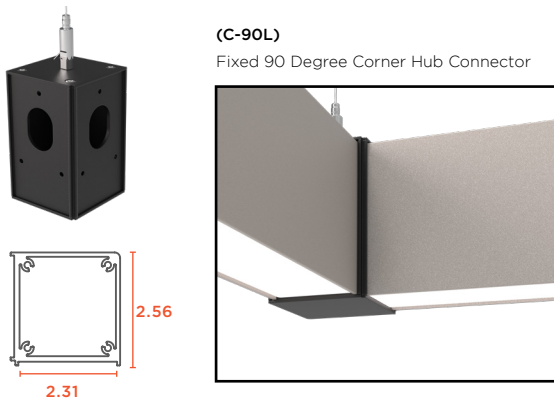
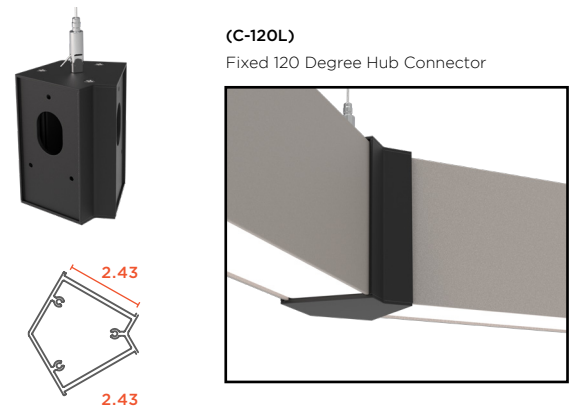
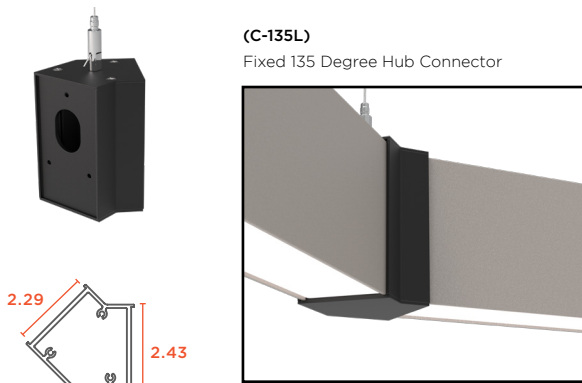
(PIV-ELV (Length))
Adjustable Elevator arm pivot connector.

Available in 8", 12", 16", 20", 24", 28", 32", and 36".



CENTRO HUB CONNECTORS

Fixed non-illuminated, connectors allow for power pass through.



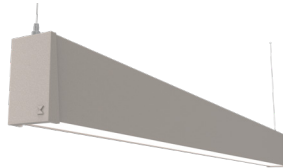
STANDARD FINISHES

The LNXX 2.0 enhances the aesthetic of any space through flexible color combinations. Choose a white, black or silver housing with 1 of 4 standard end cap colors. Custom colors are also available upon request.

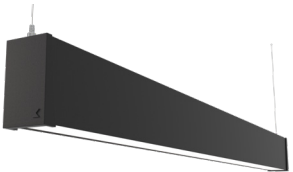
COLOR HOUSING COMBINATIONS



WHITE
Shown with White Housing, Black End Cap and Silver Cleat

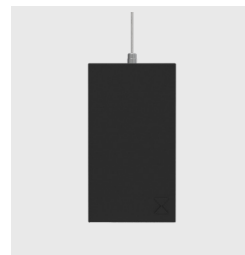


SILVER
Shown with Silver Housing, Silver End Cap and Silver Cleat

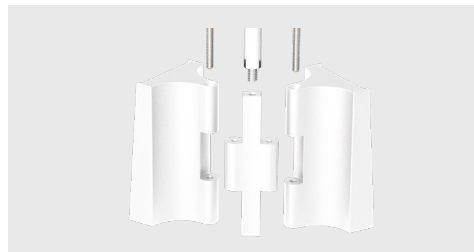


BLACK
Shown with Black Housing, Black End Cap and Silver Cleat

END CAP COLORS



PIVOT CONNECTION COLORS



END CAP OPTIONS



(FE) FLAT END CAP



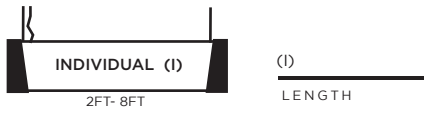
(SE) SCULPTED END CAP



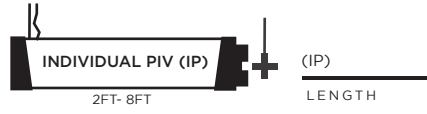
(AE) ADJUSTABLE END CAP

U.S. Patent No. US 11,112,101

CUSTOM PIVOT KEY

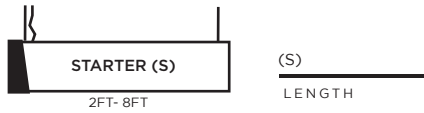
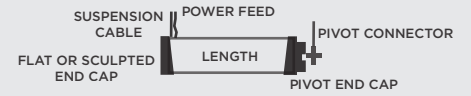


COMES WITH:
(2) Suspension Cable and (1) Power Feed

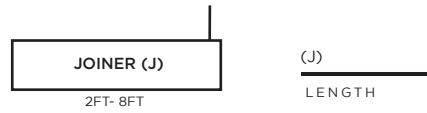


COMES WITH:
(1) Suspension Cable and (1) Power Feed
Secondary suspension comes with pivot connector.

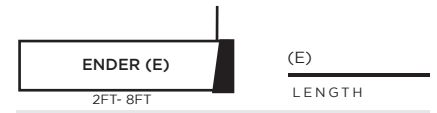
CUSTOM PIVOT KEY EXAMPLE



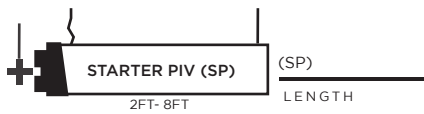
COMES WITH:
(2) Suspension Cables and (1) Power Feed



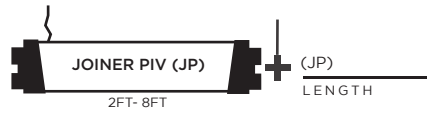
COMES WITH:
(1) Suspension Cable



COMES WITH:
(1) Suspension Cable



COMES WITH:
(1) Suspension Cable and (1) Power Feed
Secondary suspension comes with pivot connector.

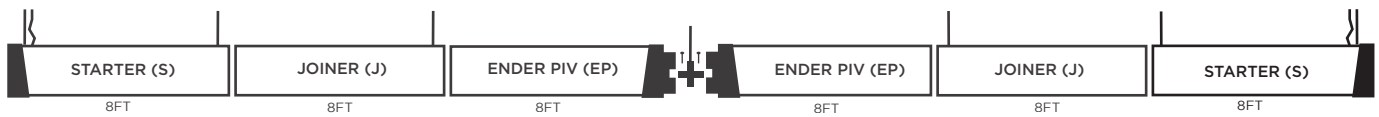


COMES WITH:
(1) Power Feed
Suspension points are on pivot connectors.



Suspension point is on pivot connector.

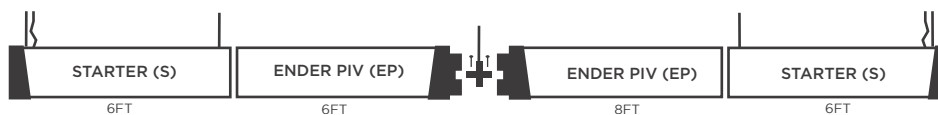
CUSTOM PIVOT EXAMPLE



Adjustable 2 arm pivot connector.

PIV	2L	24X24	B	C
V	W	X	Y	Z

Above code gets entered in "F" LENGTH field of ordering guide.



Adjustable 2 arm pivot connector.

PIV	2L	12X14	B	C
V	W	X	Y	Z

Above code gets entered in "F" LENGTH field of ordering guide.



U.S. Patent No. US 11,112,101

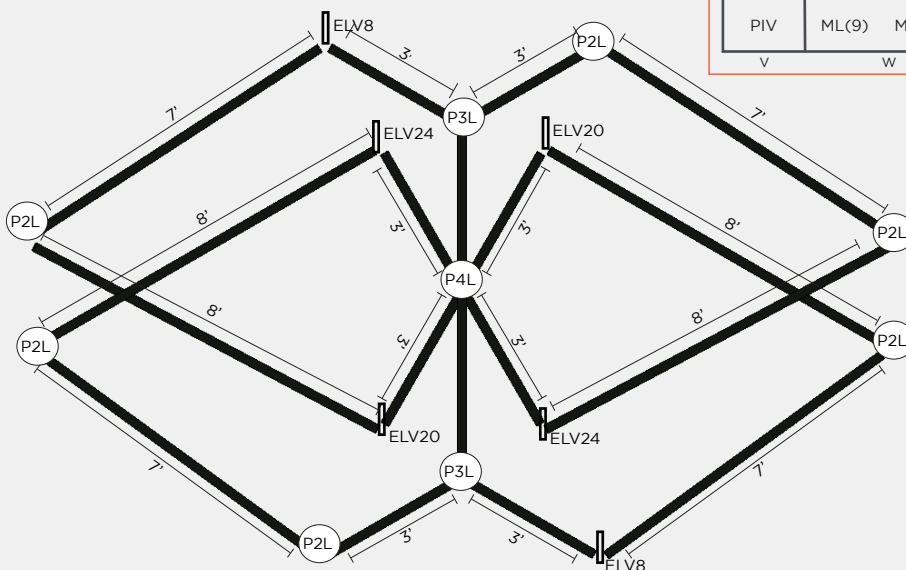
SKETCH CUSTOM PATTERN & DIMENSIONS

Include a simple sketch to illustrate your projects scope.
Use the key provided to identify length of arms, runs and connectors.
(Does not need to be to same scale).

3' Arm | 4' Arm | 5' Arm | 6' Arm | 7' Arm | 8' Arm

P2L 2 Arm Connector
 P3L 3 Arm Connector
 P4L 4 Arm Connector
 P5L 5 Arm Connector
 Flat Endcap
 Sculpted Endcap
 ELV (Height X)
 Elevation Heights 8", 12", 16", 20", 24", 28", 32", 36" Connector

CUSTOM DESIGN EXAMPLE



DESIGN RENDER



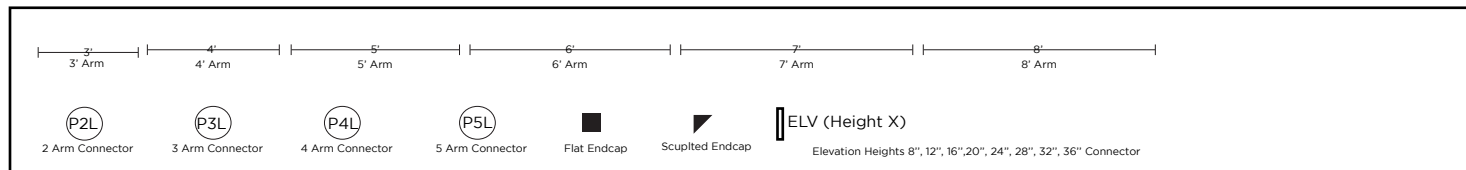
U.S. Patent No. US 11,112,101

SKETCH CUSTOM PATTERN & DIMENSIONS

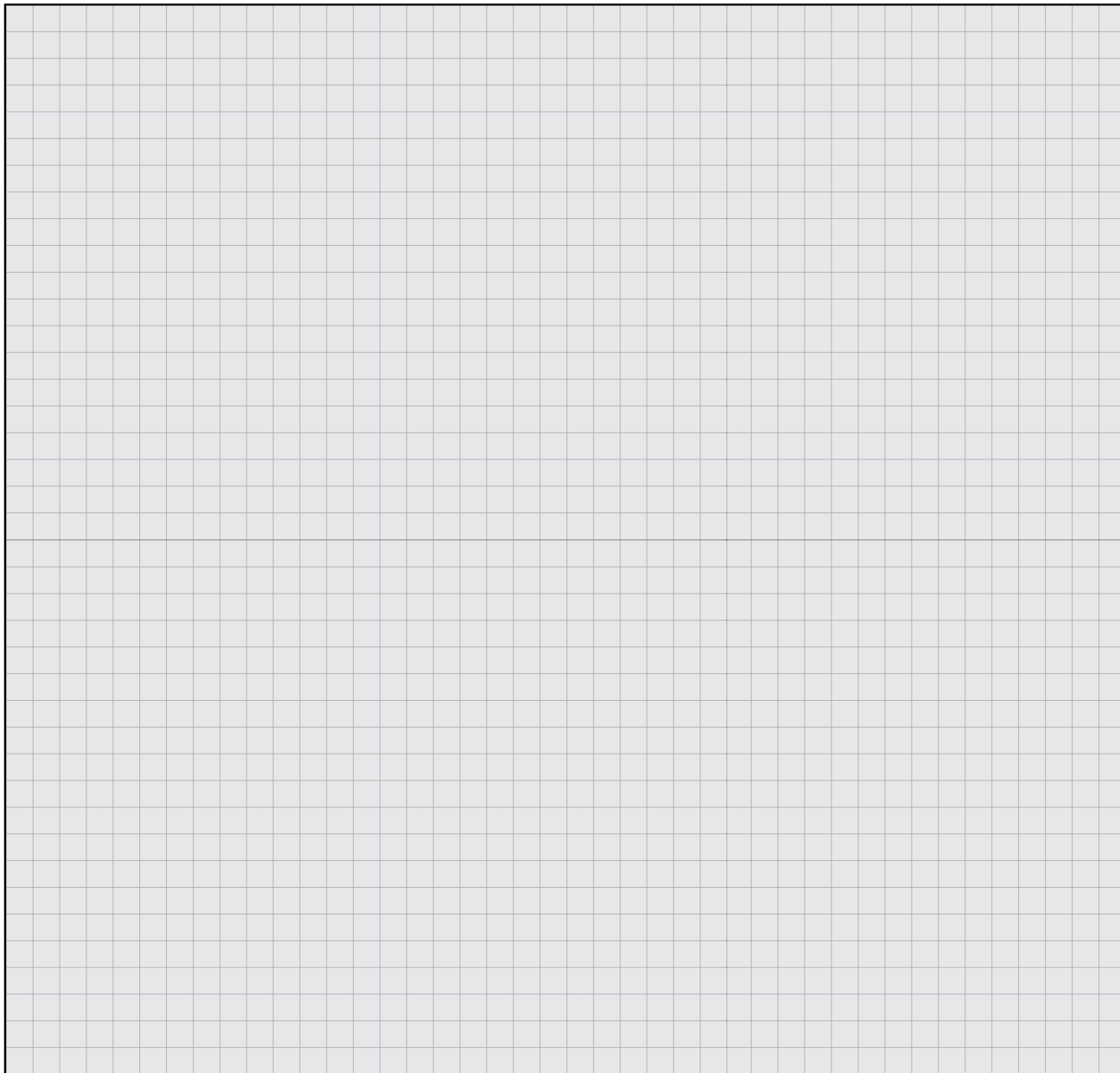
Include a simple sketch to illustrate your projects scope.

Use the key provided to identify length of arms, runs and connectors.

(Does not need to be to same scale).



YOUR SKETCH



CONTINUOUS RUN ORDER GUIDES

Please use the following run guides for fixture ordering. If your product will require a submittal, our in-house Application Engineering Team will work closely with you on your project.

ALUMINUM PRODUCT ORDER GUIDE	
RUN LENGTH (ft)	RUN CONFIGURATION - SECTION LENGTHS
9	6' + 3'
10	6' + 4'
11	6' + 5'
12	6' + 6'
13	6' + 7'
14	8' + 6'
15	8' + 7'
16	8' + 8'
17	6' + 5' + 6'
18	6' + 6' + 6'
19	6' + 7' + 6'
20	8' + 4' + 8'
21	8' + 5' + 8'
22	8' + 6' + 8'
23	8' + 7' + 8'
24	8' + 8' + 8'
25	5' + 8' + 8' + 4'
26	4' + 6' + 6' + 6' + 4'
27	6' + 8' + 8' + 5'
28	6' + 8' + 8' + 6'
29	7' + 8' + 8' + 6'

*Standard Run Configurations Shown, Consult Factory for Custom Configurations.

ALUMINUM PRODUCT ORDER GUIDE	
RUN LENGTH (ft)	RUN CONFIGURATION - SECTION LENGTHS
30	6' + 6' + 6' + 6' + 6'
31	6' + 6' + 7' + 6' + 6'
32	8' + 8' + 8' + 8'
33	5' + 8' + 8' + 8' + 4'
34	6' + 8' + 8' + 8' + 4'
35	6' + 8' + 8' + 8' + 5'
36	6' + 8' + 8' + 8' + 6'
37	8' + 8' + 5' + 8' + 8'
38	8' + 8' + 6' + 8' + 8'
39	8' + 8' + 7' + 8' + 8'
40	8' + 8' + 8' + 8' + 8'
41	5' + 8' + 8' + 8' + 8' + 4'
42	6' + 8' + 8' + 8' + 8' + 4'
43	6' + 8' + 8' + 8' + 8' + 5'
44	6' + 8' + 8' + 8' + 8' + 6'
45	7' + 8' + 8' + 8' + 8' + 6'
46	3' + 8' + 8' + 8' + 8' + 8' + 3'
47	4' + 8' + 8' + 8' + 8' + 8' + 3'
48	8' + 8' + 8' + 8' + 8' + 8'
49	5' + 8' + 8' + 8' + 8' + 8' + 4'
50	6' + 8' + 8' + 8' + 8' + 8' + 4'

*Standard Run Configurations Shown, Consult Factory for Custom Configurations.

