



Job Name:
 Date:
 Model:
 Quantity:

BRIO Collection

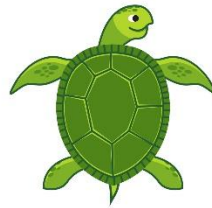
AMBER Low Voltage Landscape Pathlight

Features

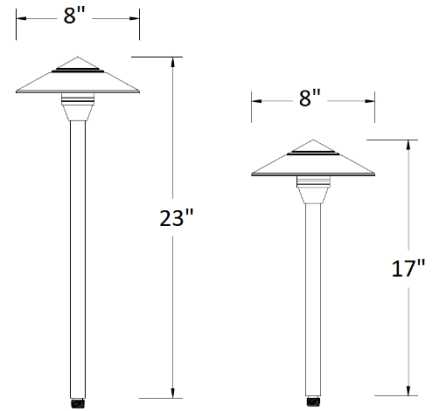
- ❖ Solid brass construction with bronze finish
- ❖ Nite Driver System matched LED array included
 - Full LED light output up to 20% voltage drop
 - Easier to maintain even light levels than incandescent
 - Allows longer cable runs with more fixtures
 - Simplifies installation and layout
- ❖ Use in marine mammal areas

Specification

- ❖ Low voltage operation: 12 VAC or 12 VDC
- ❖ LED light array
 - 3.6 watts
 - **AMBER** color 594 nm
- ❖ Three shade styles
- ❖ Includes clear and frosted lens
- ❖ 3' SPT-2W 18AWG copper lead wire
- ❖ 18" stem and 12" stem available
- ❖ Extra wide 8 1/2" ground mounting stake
- ❖ ETL Listed for Landscape Lighting
- ❖ 15 Year Fixture Warranty
- ❖ 5 Year LED Warranty



Turtle Friendly



LED Light Array



Extra Wide Ground Stake Included



BP118BZ-A



BP128BZ-A



BP156BZ-A

PART NUMBER	UPC NUMBER	PART NUMBER	UPC NUMBER	WATTS	SHAPE	SIZE
18" STEM (23" HT)		12" STEM (17" HT)				
BP118BZ-A	852140007834	BP118BZ-2A		3.6	CLASSIC CONE	8"
BP128BZ-A		BP128BZ-2A	852140007827	3.6	CLASSIC DOME	8"
BP156BZ-A		BP156BZ-2A	852140007810	3.6	DEEP CONE	8"