

Read and understand these instructions before installing luminaire.

This luminaire is intended for installation in accordance with the National Electrical Code and local regulations. To assure full compliance with local codes and regulations, check with your local electrical inspector before installation. To prevent electrical shock, turn off electricity at fuse box before proceeding. **Retain these instructions for maintenance reference.**

PowerTrip™ ADVENT 2 CIRCUIT IN-LINE CONNECTOR 6133 FOR USE WITH 6100 SERIES TRACK ONLY. PowerTrip Breaker will limit the wattage on a circuit and can be used as a standard ON/OFF switch .

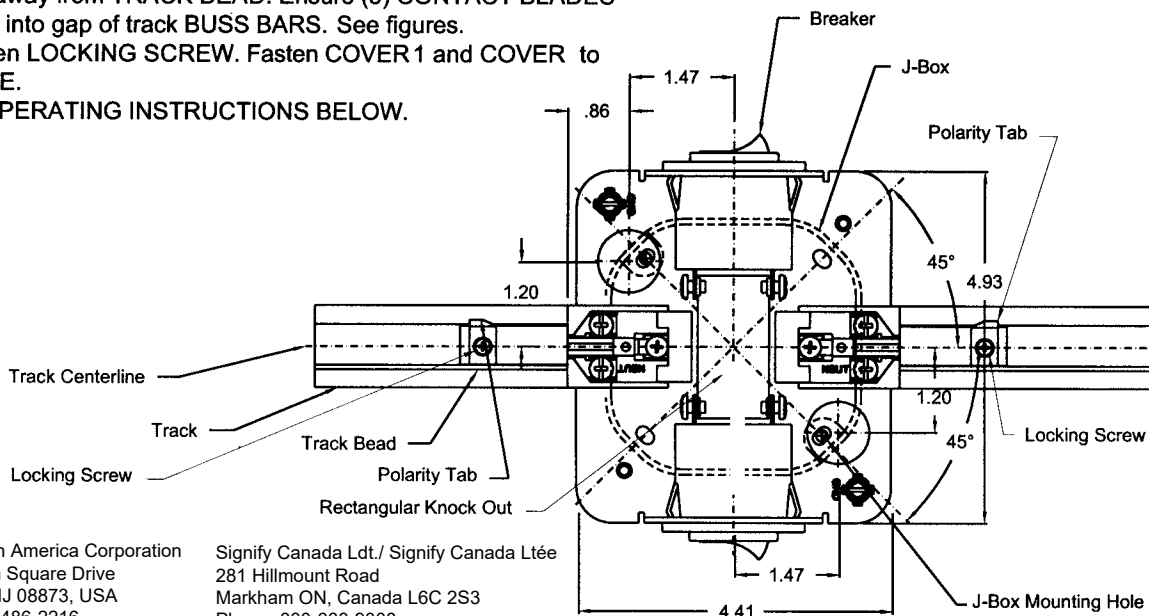
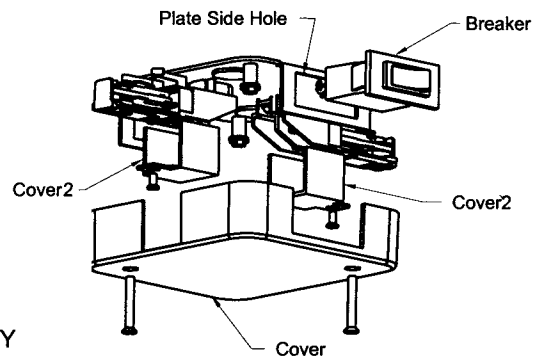
Note: Powertrip connector can be fed using a 4in. octagon junction box, fed directly using flexible or rigid conduit with ³/₈ or ¹/₂ electrical connector from solid ceiling or grid runner ceilings, or fed using advent track stem mounting kits. Two breakers must be used to regulate the wattage on each circuit. Breakers sold separately.

- **TURN OFF POWER AT BREAKER BOX BEFORE INSTALLING PowerTrip CONNECTOR AND TRACK.**
- **DO NOT USE PowerTrip CONNECTOR AS A CONDUIT SUPPORT. INDEPENDANT CONDUIT SUPPORT IS REQUIRED.**
- **OBSERVE POLARITY: WHITE NEUTRAL WIRE MUST BE CONNECTED TO SILVER COLORED TERMINAL IN CONNECTOR.**
- **USE 12 OR 14 ga. SOLID WIRE IN CONNECTOR ONLY. CONNECTOR RATING 20AMP PER CIRCUIT, 120/240V, SINGLE PHASE, 3 WIRE WITH GROUNDED NEUTRAL, 60HZ.**
- **USE THE PROPER CURRENT RATED LIGHTOLIER BREAKER TO LIMIT THE LOAD ON THE CIRCUIT. (BREAKER SOLD SEPARATELY).**
- **CONNECTOR IS POLARIZED AND WILL ONLY INSTALL INTO THE TRACK IN ONE DIRECTION. TRACK BEADS MUST BE IN-LINE FOR PROPER INSTALLATION.**
- **DO NOT POSITION LUMINAIRE SUCH THAT IT TOUCHES THE PowerTrip CONNECTOR.**

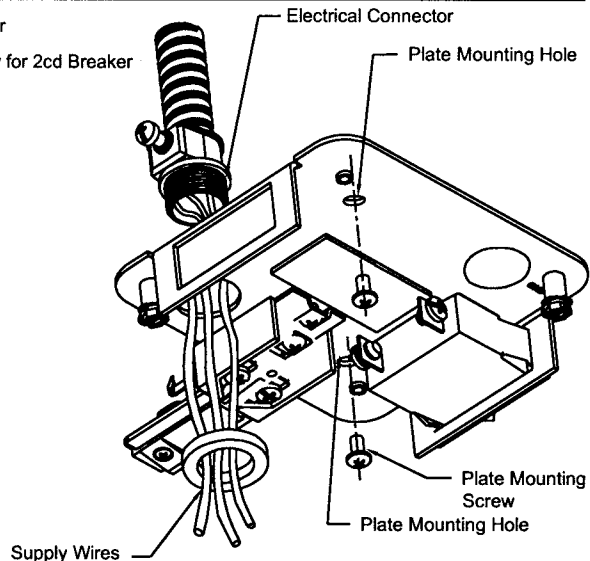
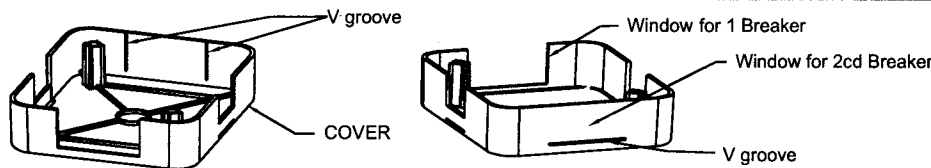
A. INSTALLING PowerTrip CONNECTOR ON A 4" OCTAGON J-BOX.

1. The centerline of the track must be on the center of the J-BOX and the mounting holes for the J-BOX must be at a 45° to the centerline of the track. See figure.
2. Remove COVER and COVER2 and retain.
3. Remove RECTANGULAR KNOCK OUT from PLATE. Do not remove any other knock outs.
4. Two Breakers must be used. Cut window in COVER using a razor box cutter or similar tool. Cut along molded V grooves in COVER. Push BREAKERS into PLATE SIDE HOLES.
5. Fasten PLATE to J-BOX mounting holes passing supply wires through RECTANGULAR HOLE. Secure PLATE using (2) screws (by others).
6. Attach wires per WIRING INSTRUCTIONS BELOW.
7. Slide TRACK onto Powertrip CONNECTOR pointing POLARITY TAB away from TRACK BEAD. Ensure (3) CONTACT BLADES insert into gap of track BUSS BARS. See figures.
8. Tighten LOCKING SCREW. Fasten COVER1 and COVER to PLATE.
9. See OPERATING INSTRUCTIONS BELOW.

Note: PowerTrip Current Limiter conforms to section 130.d.3 of the California Energy Code.

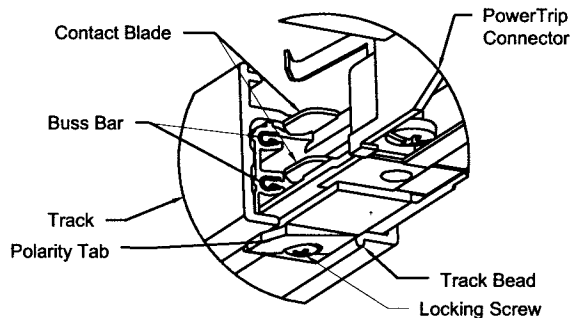


LIGHTOLIER®



B. INSTALLING PowerTrip CONNECTOR USING RIGID OR FLEXIBLE CONDUIT on Solid or Grid Runner Ceilings.

1. Mark the centerline of the PLATE and track on the ceiling to determine the mounting location of the PowerTrip connector.
2. Remove COVER and COVER2 and retain.
3. Remove one ROUND KNOCK OUT for attaching supply wire connector. Do not remove any other knock outs.
4. Two Breakers must be used. Cut window in COVER using a razor box cutter or similar tool. Cut along molded V grooves in COVER. Push BREAKERS into PLATE SIDE HOLES.
5. Make hole in ceiling for supply wires and electrical connector (by others) to pass through. Hole should coincide with ROUND KNOCK OUT in PLATE. See measurements on page 1.
6. Fasten $\frac{3}{8}$ or $\frac{1}{2}$ electrical connector to PLATE. Pass supply wires through connector and PLATE.
7. Mount PLATE to ceiling using two PLATE MOUNTING HOLES. Use suitable ceiling hardware (by others).
8. Attach wires per WIRING INSTRUCTIONS BELOW.
9. Slide TRACK onto Powertrip CONNECTOR pointing POLARITY TAB away from TRACK BEAD. Ensure (3) CONTACT BLADES insert into gap of track BUSS BARS. See figures.
10. Tighten LOCKING SCREWS. Fasten COVER2 and COVER.
11. See OPERATING INSTRUCTIONS BELOW.

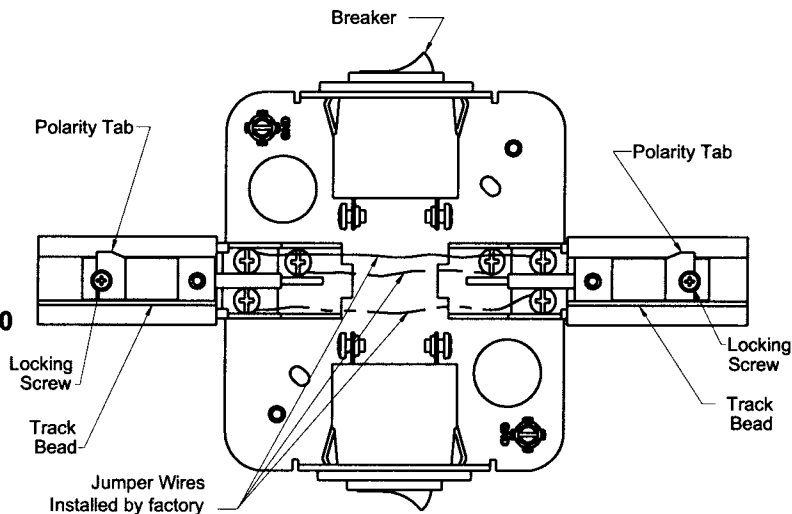


C. FEEDING CONNECTOR ON STEM MOUNTED ADVENT TRACK.

1. Follow instructions for Advent Track on Instruction sheet IS:7586 included with the stem mounting kits.
2. Do not remove any Knock Outs.
3. Install BREAKERS into PLATE SIDE HOLES.
4. Wire connector per wiring instructions below.
5. Fasten COVER2 and COVER.

E. OPERATING INSTRUCTIONS. See IS:CLD120

1. Place luminaires on track. Place BREAKER SWITCH to ON position. Turn power ON to supply connector.
2. The BREAKER will automatically switch OFF if its ratings are exceeded. OFF is designated by a red color on the BREAKER SWITCH.
3. If breaker tripped off: reduce the wattage on the track so the total wattage is less than the wattage specified on the BREAKER. Turn the BREAKER SWITCH to ON.

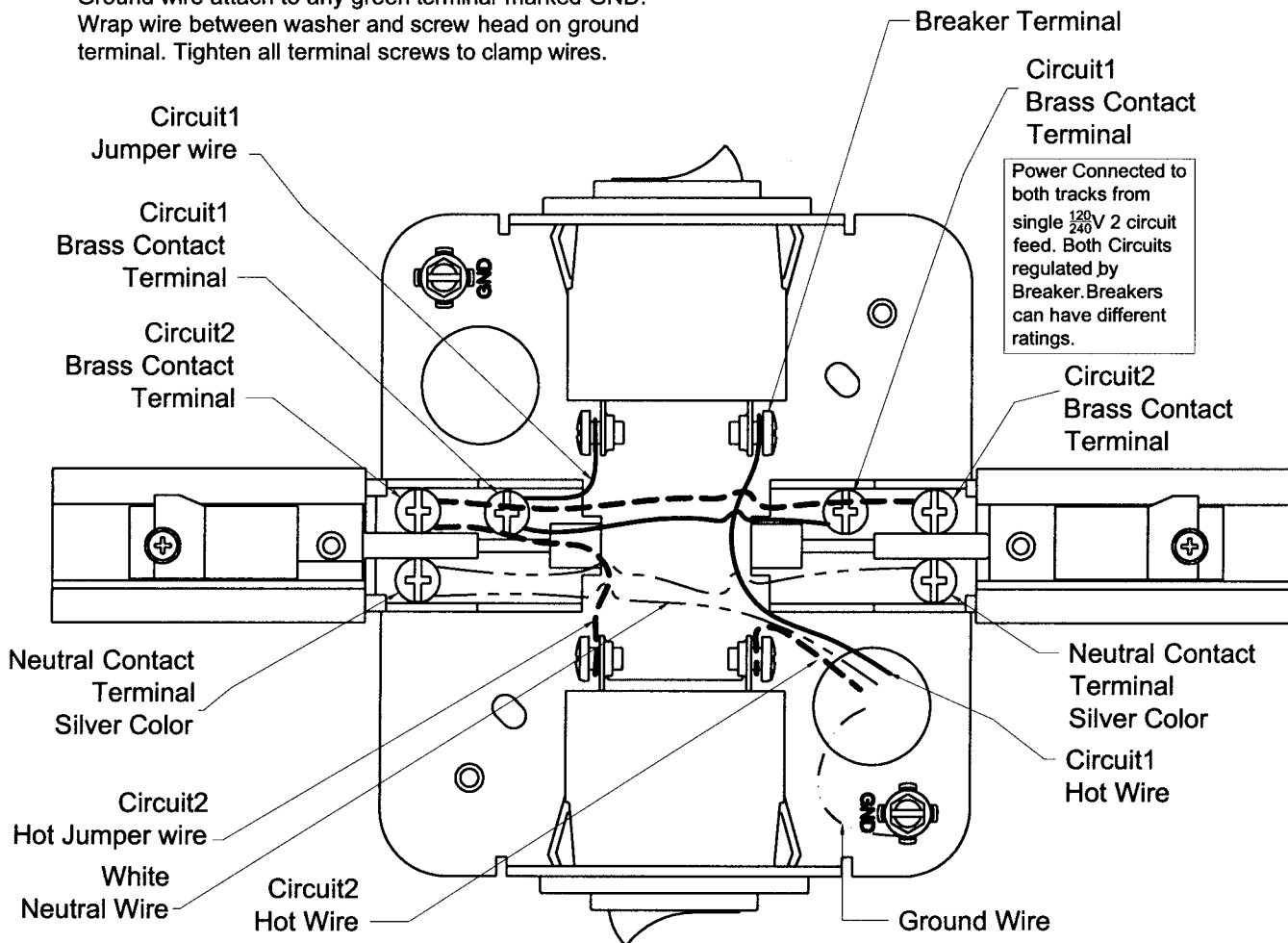


Read and understand these instructions before installing luminaire.

This luminaire is intended for installation in accordance with the National Electrical Code and local regulations. To assure full compliance with local codes and regulations, check with your local electrical inspector before installation. To prevent electrical shock, turn off electricity at fuse box before proceeding. **Retain these instructions for maintenance reference.**

D. WIRING INSTRUCTIONS.

1. Figures show wiring from round knock out. Wiring will be the same if wires enter from rectangular hole or from track surface when using stem mounting kits.
2. Connector is pre-wired from the factory. These JUMPER wires may be removed if needed.
3. All wires must be the same type and gauge as building supply wires. Additional Wires supplied by others.
4. Wires wrap around **GROUND TERMINAL AND BREAKER TERMINALS**. Strip enough insulation to allow copper to be wrapped around terminals. **CONTACT TERMINALS** accept two wires each and wire doesn't need wrapping. Strip these $\frac{7}{16}$ ".
5. Wire hot supply wires through Breakers. White Neutral wire attaches to Silver Colored Neutral Terminal. Green Ground wire attach to any green terminal marked GND. Wrap wire between washer and screw head on ground terminal. Tighten all terminal screws to clamp wires.



LIGHTOLIER®