



Ceiling mounted test switch provided standard, add EM6 suffix to new construction frame-in kit (example: 4RNEM6). Reflector mounted test switch available on some trim types, see below table for availability and restrictions, add IEM6 suffix to reflector trim where available (example: C4RDLCCIE6).

Project: \_\_\_\_\_  
 Location: \_\_\_\_\_  
 Cat.No: \_\_\_\_\_  
 Type: \_\_\_\_\_  
 Qty: \_\_\_\_\_  
 Notes: \_\_\_\_\_

### Calculite LED compatibility

Calculite LED gen 3 round & square New construction (N) frames only	Nominal EM lumens (3500K) <sup>1</sup>	Ceiling mount with EM test button	Reflector trim mount with EM test button
3"	430-660lm	Standard	Available (round DL only)
4"	680-760lm	Standard	Available (DL and WW only)
6" & 7"	680-760lm	Standard	Available

### LyteProfile LED compatibility

LyteProfile LED round New construction (N) frames only	Nominal EM lumens (3500K)	Ceiling mount with EM test button	Reflector trim mount with EM test button
3"	430-660lm	Standard	Available (round DL only)
4"	690lm	Standard	Available (DL and WW only)
6"	700lm	Standard	Available (DL only)

IEM6 Option Codes		Switch Orientation by Shape		
Family	Aperture/Type	Remote	Integral	Excluded Integral Styles
Calculite	3" DL/LW/AA	●■	●	LW, AA
	4" DL/WW	●■	●■	Sq LW, AA
	6" DL/WW	●■	●■	Sq LW
	7" DL/WW	●	●	---

IEM6 Option Codes		Switch Orientation by Shape		
Family	Aperture/Type	Remote	Integral	Excluded Integral Styles
LyteProfile	3" DL/LW/AA	●■	●	LW, AA
	4" DL/LW	●■	●■	LW
	6" DL/LW	●■	●■	LW
EasyLyte	4" DL	●	---	---
	6" DL	●	---	---

### Features

**Battery pack:** Bodine BSL06 battery pack featuring self-test and self-diagnostic functionality provides 90 minutes of lighting when AC power fails. Meets National Electrical and Life Safety Codes. Accessible from below with attachment to the back side of the new construction frame junction box. Compatible with 120/277V.

To estimate lumen output in emergency mode, multiply emergency pack wattage by luminaire configuration efficacy, then by 1.1.

### Test switch/charge light:

**Trim Mount:** Can be installed integral to trim when ordered with IEM6 option code (e.g. 4RDLCCIE6).

**Remote Mount:** Order CAEM6TSCP mounting plate accessory.

**Mounting:** Tool-less attachment to back side of new construction frame junction box.

### Options and Accessories

**CAEM6:** Field install EM6 kit with Bodine BSL6 6W battery pack with self-test/self-diagnostic. Includes EM pack mounted on cover plate for attachment to back side of junction box on new construction (N) frames. Includes remote ceiling plate for test switch. To mount test switch to trim for new construction frame, order trim with IEM6 option code (e.g. C4RDLCCIE6).

**CAEM6TSCP:** Ceiling cover plate for remote mounted EM6 test switch. 1/2" (25mm) hole, 4 3/8" (109mm) x 2 3/4" (69mm) rectangular. Includes two mounting screws. White finish.

### Labels and Listings

UL listed for damp locations only. Not approved for Chicago plenum applications.

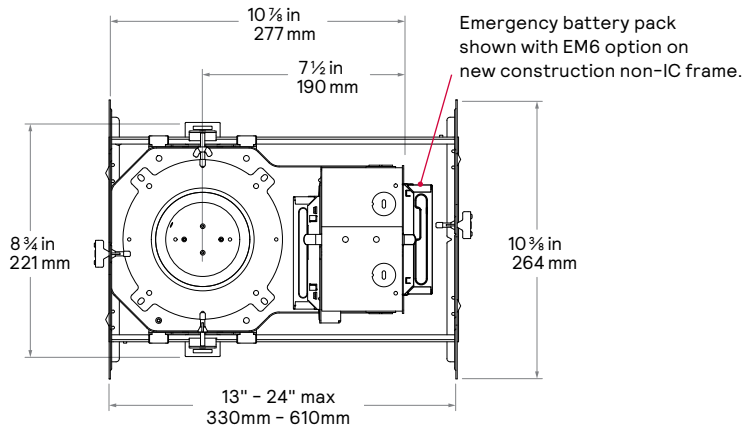
### Warranty



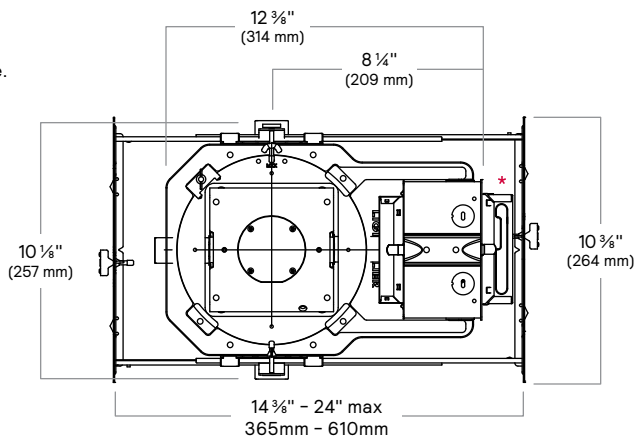
5 year limited warranty  
 Visit [Signify.com/warranties](http://Signify.com/warranties) for more information on Signify's standard 5-year limited warranty on complete luminaire systems.

# LED-EM Calculite, LyteProfile, & EasyLyte Emergency Battery Pack

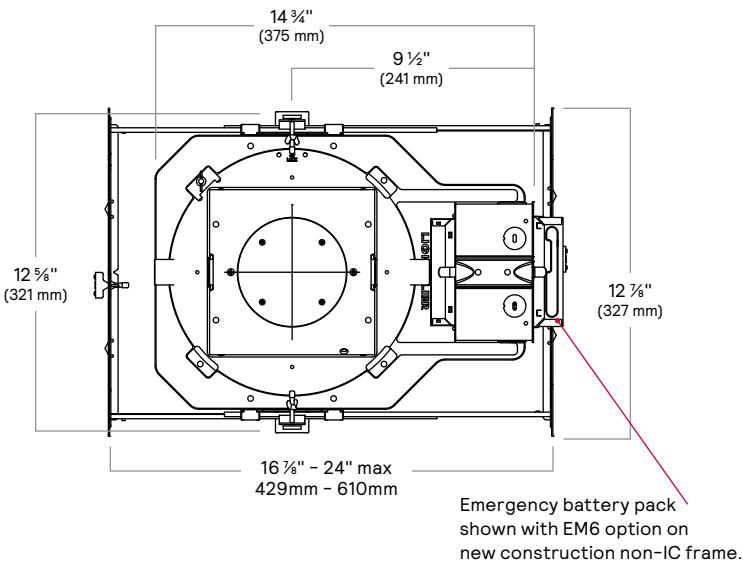
## 3RN/4RN frame dimensions



## 3SN/4SN/6RN frame dimensions

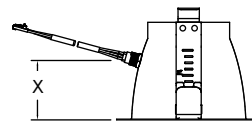
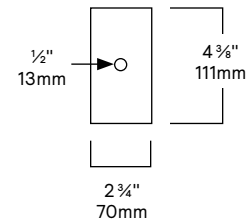


## 6SN/7RN frame dimensions



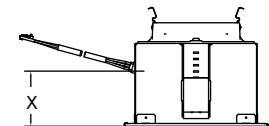
### CAEM6TSCP Cover Plate Accessory

Purchased separately for remote test switch  
Included with CAEM6 field installed EM pack



### Round Apertures

- 3" - 1 7/8" (46mm)
- 4" - 2 3/8" (60mm)
- 6" - 3 3/8" (85mm)
- 7" - 1 1/8" (105mm)



### Square Apertures

- 4" - 2 1/4" (55mm)
- 6" - 2 5/8" (66mm)

\* Emergency battery pack shown with EM6 option on new construction non-IC frame.

