

# LIGHTOLIER

by  Signify

## Ideal Illumination from the brand you trust

Downlighting

LyteProfile 3"



Your  
**lighting toolbox**  
has expanded once again...





# Introducing more of a **good thing**

## The LyteProfile 3" aperture downlight, wall wash and accent

Your lighting project decisions are now even easier. We've expanded the LyteProfile family to 3-inch square and round options so you can achieve consistent illumination and smooth installation for simple or complex projects. Enjoy one-stop shopping with the reliability and quality of the LyteProfile family. You can never have too much of a good thing.

### All luminaires feature:

- Designed for challenging ceilings and shallow plenum height.\*
- Light output 500 to 1500 lumens.
- Four different color temperature options.
- Dim-to-warm optional.
- Plug & play easy-install two part system.

\* Non-IC versions are 4.5" tall and IC versions are 3.5" tall.

# LyteProfile LED 3"

Downlight and Wall wash



## Round style



### Downlight & Lensed wall wash

All shown with Comfort clear reflector and Polished flange

## Square style



### Downlight & Lensed wall wash

All shown with Comfort clear reflector and Polished flange

## Finishes



### Specular clear

Most specular and efficient finish, delivers maximum photometric performance. Can produce a mirror image effect of interior space.



### Comfort clear

Semi-specular finish, softens light at the source in reflector while creating a subtle, even luminance from the reflector cone.



### Comfort clear diffuse

Slightly diffuse clear finish, reduces the mirror image effect inherent with specular finishes and eliminates iridescence.



### White

Brightest illuminated aperture, provides the smoothest transition to most ceilings when off (only offered with a white flange).

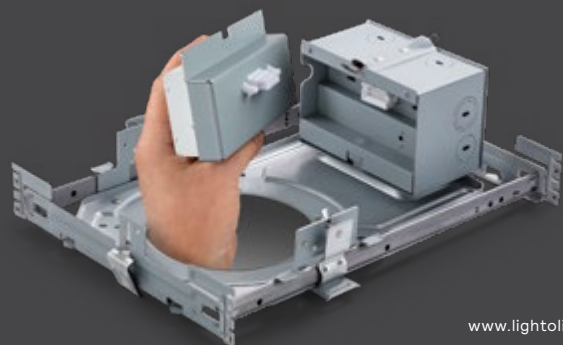


### Black

Specular finish, provides lowest aperture brightness possible and reduces source identification in ceiling significantly (only offered with a black flange).

## So many options... the ease of one frame

The Lightolier UniFrame, single frame solution, is adaptable and was designed to respond to ever-changing project needs. Three of our downlight families use this frame, making your flexibility and choices almost endless.



# Ordering guide

Refer to footnotes at the bottom of the page for configuration restrictions.

## Frame (Frame + Engine + Trim = complete product)

example: 3RN

Series	Installation	Option	
<b>3R</b> 3" Round <b>3S</b> 3" Square	<b>N</b> New construction (Non-IC)	— Universal 120/277/347V <sup>1</sup> <b>LC</b> Chicago plenum <b>3</b> 347V (for non-0-10v configurations)	<b>EM6</b> Emergency, 6W Self-Test/Self-Diagnostic <sup>2</sup> <b>RADIO</b> Integral Interact Pro RF sensor (requires above ceiling access – enables wireless connected lighting control)
	<b>A</b> AirSeal (IC) 1000lm max	— Standard Universal 120/277/347V <sup>1</sup> <b>S</b> Shallow Universal 120/277/347V <sup>1,3</sup>	

## Engine / Trim

example: P3RDL10930CLZ10US

Series	Style	Lumen	CRI/CCT
<b>P3R</b> 3" Round <b>P3S</b> 3" Square	<b>DL</b> Downlight <b>LW</b> Lensed wall wash <sup>4</sup> <b>SL</b> Shower light <sup>4</sup> Round only (with non-conductive trim and lens)	<b>05</b> 500lm <b>10</b> 1000lm <b>15</b> 1500lm <sup>5</sup>	<b>927</b> 90CRI / 2700K <b>930</b> 90CRI / 3000K <b>935</b> 90CRI / 3500K <b>940</b> 90CRI / 4000K
		<b>10</b> 1000lm	<b>9D2W</b> 90CRI / 3000K – 1800K (for Non-IC (N) frames only)

## Engine / Trim (continued)

Reflector	Flange	Dimming	Voltage	Plenum	Plenum
<b>CL</b> Specular clear <b>CC</b> Comfort clear <b>CD</b> Comfort clear diffuse	— White (matte) <b>P</b> Matching reflector Round only	<b>Z10</b> 0-10V 1% dimming	<b>U</b> 120V/277V <b>3</b> 347V (0-10v only) <sup>6,7</sup>	— Standard depth <b>S</b> Shallow for AirSeal IC shallow frame <sup>3</sup>	— None <b>IEM6</b> Trim mounted EM test switch <sup>8</sup>
<b>WH</b> White (matte)	— White (matte)	<b>LU</b> Lutron PEQ0 dimming (dim to 0.1%) (incompatible with Shallow (S) plenums)	<b>U</b> 120V/277/347V		
<b>BK</b> Black (matte)	— White (matte) <b>B</b> Black (matte)	<b>E1</b> Electronic low voltage dimming (incompatible with 347V (3) frame)	<b>1</b> 120V		

## Accessories

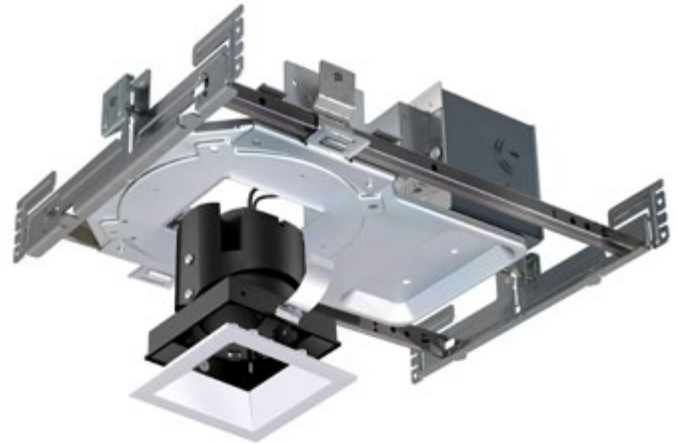
<b>SBA</b>	Interact Ready System Bridge Accessory with integral occupancy and daylight sensor (compatible with all 0-10V options, see SBA spec sheet) <sup>9</sup>
<b>CAEM6</b>	Field installable Bodine BSL6 6W battery pack with self-test/self-diagnostic for use with new construction frames, 120-277V

1. Universal 120-347V is for 0-10v (Z10) dimming configurations only. For 347V non-Z10 dimming, order 347V (3) frame with (U) light engine/trim.
2. Round emergency (EM6) frame is compatible with reflector mounted test switch when light engine is ordered with IEM6 option code. Square emergency (EM6) requires remote mounted test switch with CAEM6TSCP mounting plate accessory (not compatible with 347V).
3. Must order shallow IC frame (S), shallow engine / shallow trim (S) for complete shallow assembly. Shallow configurations available in 500lm and 1000lm only with ELV or 0-10V.
4. Lensed wall wash (LWW) and Shower lights (SL) have a 1000lm (10) limit in Non-IC (N) configurations and 500lm (05) limit in IC (A) configurations. Order Shower light (SL) with WH trim finish only.
5. The 1500lm (15) option is not available with standard AirSeal IC frame (3RA-).
6. Specify standard UNV frame for use with 347V light engines
7. The 347V light engine voltage option is available only with Z10 dimming option. For other dimming protocols order (U) light engine and 347V (3) frame.
8. IEM6 option available with round DL style only.
9. Requires IRT9015 IR remote & Interact Pro App for commissioning.

**Note:** Information may be subject to change, see LyteProfile LED 3" specification sheets for details and exclusions. Consult factory for additional dimming options.

# LyteProfile LED 3"

Adjustable accent



## Round style



**Adjustable accent**

All shown with Comfort clear reflector and Polished flange

## Square style



**Adjustable accent**

All shown with Comfort clear reflector and Polished flange

## Finishes



**Specular clear**



**Comfort clear**



**Comfort clear diffuse**



**White**

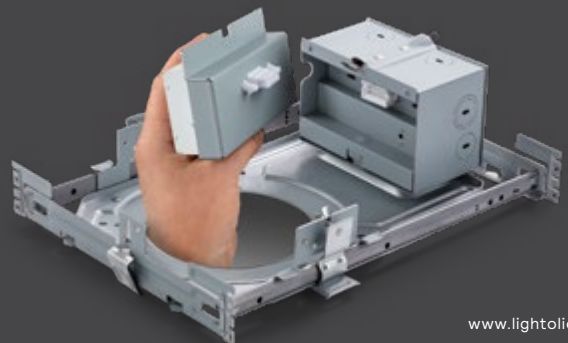


**Black**

**Note:** Descriptions of all finishes are listed on page 2. Reference Calculite LED 3" specification sheets for examples of painted finishes.

## So many options... the ease of one frame

The Lightolier UniFrame, single frame solution, is adaptable and was designed to respond to ever-changing project needs. Three of our downlight families use this frame, making your flexibility and choices almost endless.



# Ordering guide

Refer to footnotes at the bottom of the page for configuration restrictions.

## Frame (Frame + Engine + Trim = complete product)

example: 3RN

Series	Installation	Option	
<b>3R</b> 3" Round <b>3S</b> 3" Square	<b>N</b> New construction (Non-IC)	– Universal 120/277/347V <sup>1</sup> <b>LC</b> Chicago plenum <b>3</b> 347V (for non-0-10v configurations)	<b>EM6</b> Emergency, 6W Self-Test/Self-Diagnostic <sup>2</sup> <b>RADIO</b> Integral Interact Pro RF sensor (requires above ceiling access – enables wireless connected lighting control)
	<b>A</b> AirSeal (IC) 1000lm max	– Standard Universal 120/277/347V <sup>1</sup> <b>S</b> Shallow Universal 120/277/347V <sup>1,3</sup>	

## Engine / Trim

example: P3RA05940NSCLPZ10U

Series	Style	Lumen	CRI/CCT	Beam
<b>P3R</b> 3" Round <b>P3S</b> 3" Square	<b>A</b> Adjustable accent	<b>05</b> 500lm <b>10</b> 1000lm <b>15</b> 1500lm <sup>4</sup>	<b>927</b> 90CRI / 2700K <b>930</b> 90CRI / 3000K <b>935</b> 90CRI / 3500K <b>940</b> 90CRI / 4000K	<b>NS</b> Narrow Spot (13°) <b>SP</b> Spot (17°) <b>NF</b> Narrow Flood (21°) <b>FL</b> Flood (29°)
		<b>10</b> 1000lm	<b>9D2W</b> 90CRI / 3000K-1800K (for Non-IC (N) frames only)	

## Engine / Trim (continued)

Reflector	Flange	Dimming	Voltage	Plenum	Plenum
<b>CL</b> Specular clear <b>CC</b> Comfort clear <b>CD</b> Comfort clear diffuse <b>BK</b> Black (matte) <b>WH</b> White (matte)	– White (matte) <b>P</b> Matching reflector	<b>Z10</b> 0-10V 1% dimming  <b>LU</b> Lutron PEQ0 dimming (dim to 0.1%) (incompatible with Shallow (S) plenums)  <b>E1</b> Electronic low voltage dimming (incompatible with 347V (3) frame)	<b>U</b> 120V/277V <b>3</b> 347V (0-10v only) <sup>5,6</sup>  <b>U</b> 120V/277/347V  <b>1</b> 120V	– Standard depth <b>S</b> Shallow for AirSeal IC shallow frame <sup>3</sup>	– None

## Accessories

**SBA** Interact Ready System Bridge Accessory with integral occupancy and daylight sensor (compatible with all 0-10V options, see SBA spec sheet)<sup>8</sup>  
**CAEM6** Field installable Bodine BSL6 6W battery pack with self-test/self-diagnostic for use with new construction frames, 120-277V

**CA3NSSFR** Narrow Spot upper reflector (additional field-installable optics)  
**CA3SSFR** Spot upper reflector (additional field-installable optics)  
**CA3NFSFR** Narrow Flood upper reflector (additional field-installable optics)  
**CA3FLSFR** Flood upper reflector (additional field-installable optics)

- Universal 120-347V is for 0-10v (Z10) dimming configurations only. For 347V non-Z10 dimming, order 347V (3) frame with (U) light engine/trim.
- Emergency (EM6) frame requires remote mounted test switch. Order CAEM6TSCP mounting plate accessory (not compatible with 347V).
- Must order shallow IC frame (S), shallow engine / shallow trim (S) for complete shallow assembly. Shallow configurations available in 500lm and 1000lm only with ELV or 0-10V.
- The 1500lm (15) option is not available with standard AirSeal IC frame (3RA-).
- Specify standard UNV frame for use with 347V light engines
- The 347V light engine voltage option is available only with Z10 dimming option. For other dimming protocols order (U) light engine and 347V (3) frame.
- Requires IRT9015 IR remote & Interact Pro App for commissioning.
- IEM6 option available on DL style only.

**Note:** Information may be subject to change, see LyteProfile LED 3" specification sheets for details and exclusions. Consult factory for additional dimming options.



© 2021 Signify Holding. All rights reserved. The information provided herein is subject to change, without notice. Signify does not give any representation or warranty as to the accuracy or completeness of the information included herein and shall not be liable for any action in reliance thereon. The information presented in this document is not intended as any commercial offer and does not form part of any quotation or contract, unless otherwise agreed by Signify.

Signify North America Corporation  
400 Crossing Blvd, Suite 600  
Bridgewater, NJ 08807  
Telephone: 855-486-2216

Signify Canada Ltd.  
281 Hillmount Road,  
Markham, ON, Canada L6C 2S3  
Telephone: 800-668-9008

All trademarks are owned by Signify Holding or their respective owners.