



LyteProfile adjustable accents provide a balance of function with quality lighting to accentuate ambiance in the space. A robust and easy to install frame and versatile light engine makes this an ideal product for use in a wide variety of applications.

Project: _____
 Location: _____
 Cat.No: _____
 Type: _____
 Qty: _____
 Notes: _____

Complete unit = Fixture + Light Engine/Trim + Optional Accessories

Frame

example: 3RAS

| Series | Installation | Voltage/Options | |
|----------------------------|---------------------------|-----------------------------------------------------------------------------------------------------|-----------------------------------------------------------------------------------------------------------------------------------------------------------------------------------------------|
| 3R | | | |
| 3R Uniframe 3" round frame | N New Construction Non-IC | — Universal 120/277/347V ¹ LC Chicago plenum 3 347V (for non-0-10v configurations) | EM6 Emergency, 6W Self-Test/Self-Diagnostic ² RADIO Integral Interact Pro RF sensor (requires above ceiling access - enables wireless connected lighting control) |
| | A AirSeal IC (1000lm max) | — Standard Universal 120/277/347V ¹ S Shallow Universal 120/277/347V ^{1,3} | |

Light Engine / Trim

example: P3RA05940NSCLPZ10U

| Series | Style | Lumens | CRI/CCT | Beam |
|--------------------------------------------|-------------------------------------------------------|-----------|-------------------|--------------------------------------------------------------------------------------------------------------|
| P3R | A | | | |
| P3R LyteProfile 3" round light engine/trim | A Adjustable accent | 05 500lm | 927 90CRI / 2700K | NS Narrow Spot (13°) SP Spot (17°) NF Narrow Flood (21°) FL Flood (29°) |
| | | 10 1000lm | 930 90CRI / 3000K | |
| 15 1500lm ⁴ | 935 90CRI / 3500K | | | |
| | 940 90CRI / 4000K | | | |
| 10 1000lm | 9D2W 90CRI / 3000K-1800K (for Non-IC (N) frames only) | | | |

Light Engine / Trim (continued)

| Reflector | Flange | Dimming | Voltage | Plenum |
|--------------------------|-----------------------------------------|-----------------------------------------------------------------------------------|------------------------------------|-----------------------------------------------------------------|
| CL Specular clear | — White (matte) P Matching reflector | Z10 0-10V 1% dimming | U 120V/277V | — Standard depth S Shallow for shallow IC frame ³ |
| CC Comfort clear | | | 3 347V (0-10v only) ^{5,6} | |
| CD Comfort clear diffuse | | LU Lutron PEQ0 dimming (dim to 0.1%) (not compatible with Shallow (S) plenums) | U 120V/277/347V | |
| BK Black (matte) | — White (matte) | E1 Electronic low voltage dimming (not compatible with 347V (3) frame) | 1 120V | |
| WH White (matte) | | | | |

Accessories (order & install separately)

| | |
|-----------------|---------------------------------------------------------------------------------------------------------------------------------------------------------|
| SBA | Interact Ready System Bridge Accessory with integral occupancy and daylight sensor (compatible with all 0-10V options, see SBA spec sheet) ⁷ |
| CAEM6 | Field installable Bodine BSL6 6W battery pack with self-test/self-diagnostic for use with new construction frames, 120-277V |
| CA3NSSFR | Narrow Spot upper reflector (additional field-installable optics) |
| CA3SSFR | Spot upper reflector (additional field-installable optics) |
| CA3NFSFR | Narrow Flood upper reflector (additional field-installable optics) |
| CA3FLSFR | Flood upper reflector (additional field-installable optics) |

1. Universal 120-347V is for 0-10v (Z10) dimming configurations only. For 347V non-Z10 dimming, order 347V (3) frame with (U) light engine/trim.
2. Emergency (EM6) frame requires remote mounted test switch. Order CAEM6TSCP mounting plate accessory (not compatible with 347V).
3. Must order shallow IC frame (S), shallow engine / shallow trim (S) for complete shallow assembly. Shallow configurations available in 500lm and 1000lm only with ELV or 0-10V.
4. The 1500lm (15) option is not available with standard AirSeal IC frame (3RA-).
5. Specify standard UNV frame for use with 347V light engines
6. The 347V light engine voltage option is available only with Z10 dimming option. For other dimming protocols order (U) light engine and 347V (3) frame.
7. Requires IRT9015 IR remote & Interact Pro App for commissioning.



P3RA LyteProfile 3"

Round adjustable accent

Frame-in-kits

New construction:

Galvanized stamped steel for dry or plaster ceilings. Preinstalled telescoping mounting bars from 13" to 24". For 4' distances, use 1/2" EMT, 1-1/2" x 1/2" U or C channel.

Max ceiling thickness is 2" (51 mm) including PoE frame 4.88" (124 mm) plenum depth for installation.

Patented install mounting frame:

- Pre-installed mounting bars for fast and tool-less installs into T-grid & hat channel ceilings.
- Close-cut aperture design eliminates possibility of gap between ceiling opening and reflector flange.
- Separate wiring compartment for wiring frame to building allows inspection prior to light engine install.
- Simple plug-and-play connection between frame and light engine from below ceiling.

Dimming

All configurations are FCC Class A unless otherwise specified.

- Advance 0-10V 1% (Z10)
- Lutron PEQO Hi-lume Premier 0.1% EcoSystem
- Electronic low voltage (ELV) - Remodel and AirSeal IC Shallow are FCC Class B
- Dim to Warm (D2W) - option changes CCT from 3000K to 1800K gradually as it dims

Optical systems

Quality of light: 3 SDCM ensures color consistency from fixture to fixture and over the luminaire's long lifetime.

Construction: Precision formed high grade aluminum reflectors with options for anodized or painted finishes.

Adjustability

- 40° vertical tilt, mechanical aiming
- 360° rotation

Light Engine

Quick connect power pack allow for easy installation and replacement from below ceiling with no need for additional wiring. This allows for:

- Frame and ceiling installation to be performed while still finalizing details such as lumen packages, CCT and control type.
- Easy replacement of electronics at end of life with minimal wasted material and labor required.
- Ease and upgradability of technology.
- Predicted 70% lumen maintenance to 57,000 hrs.
- Max operating ambient temperature of 30°C.
- 347V light engines are 0-10v dimming only and include dedicated 347V driver for use with universal 120/277/347V (U) frames. For 347V and non-0-10v dimming, order (U) light engine and 347V (3) frame (includes step down transformer).

Emergency

Bodine BSL6 6W battery pack with self-test/diagnostic functionality. Factory or field mounted to frame.

- For remote ceiling mounted test switch, order standard light engine (ex: P3RDL10935CDZ10U). Optional accessory ceiling mounting plate available (CAEM6TSCP) for remote mounted test switch.
- Refer to Calculite-LyteProfile-EasyLyte Emergency Battery Pack specification sheet for more details.

Options and Accessories

Field Installed Emergency: Refer to Calculite-LyteProfile-EasyLyte Emergency Battery Pack specification sheet for more details.

CAEM6: Field install EM6 kit with Bodine BSL6 6W battery pack with self-test/self-diagnostic, mounts to new construction frames. Includes remote ceiling plate for test switch.

CAEM6TSCP: Ceiling cover plate for remote mounted EM6 test switch. 1/2" (25mm) hole, 4 3/4" (109mm) x 2 3/4" (69mm) rectangular. Includes two mounting screws.

ENERGY STAR® exceptions

- BK finishes
- 347V & Emergency voltage/options
- 1000lm configurations
- Lutron configurations
- Dim to Warm configurations: DL downlight only

Title 24 exceptions

- BK finishes
- Must be installed in shallow AirSeal IC Frame
- Downlight (DL): 500lm and 1000lm only
- Lensed wall wash (LW): 500lm only

Labels and listings

- cULus listed for wet locations
- ENERGY STAR® certified
- CEC Title 24 JA8 certified
- CCEA (frames with *LC suffix)

Warranty



5 year limited warranty
Visit Signify.com/warranties for more information on Signify's standard 5-year limited warranty on complete luminaire systems.

0-10V electrical tables

| Light engine | Input volts | Input current | Drive current | Input power |
|-------------------|-------------|---------------|---------------|-------------|
| P3_A05_Z10U/3 | 120 V | 0.08 A | 200 mA | 9.5 W |
| | 277 V | 0.03 A | | |
| P3_A10_Z10U/3 | 120 V | 0.13 A | 360 mA | 15.6 W |
| | 277 V | 0.06 A | | |
| P3_A109D2W_Z10U/3 | 120 V | 0.12 A | 330 mA | 13.6 W |
| | 277 V | 0.05 A | | |
| P3_A15_Z10U/3 | 120 V | 0.17 A | 500 mA | 20.4 W |
| | 277 V | 0.07 A | | |
| P3_A05_Z10U/3S | 120 V | 0.08 A | 220 mA | 9.4 W |
| | 277 V | 0.03 A | | |
| P3_A10_Z10U/3S | 120 V | 0.12 A | 330 mA | 14.1 W |
| | 277 V | 0.05 A | | |

ELV electrical tables

| Light engine | Input volts | Input current | Drive current | Input power |
|---------------|-------------|---------------|---------------|-------------|
| P3_A05_E1 | 120 V | 0.08 A | 220 mA | 8.7 W |
| | 277 V | 0.03 A | | |
| P3_A10_E1 | 120 V | 0.11 A | 350 mA | 12.7 W |
| | 277 V | 0.05 A | | |
| P3_A109D2W_E1 | 120 V | 0.11 A | 330 mA | 13.1 W |
| | 277 V | 0.05 A | | |
| P3_A15_E1 | 120 V | 0.17 A | 500 mA | 19.7 W |
| | 277 V | 0.07 A | | |
| P3_A05_E1S | 120 V | 0.08 A | 220 mA | 8.7 W |
| | 277 V | 0.03 A | | |
| P3_A10_E1R | 120 V | 0.11 A | 330 mA | 13.1 W |
| | 277 V | 0.05 A | | |

Lutron electrical tables

| Light engine | Input volts | Input current | Drive current | Input power |
|---------------|-------------|---------------|---------------|-------------|
| P3_A05_LU | 120 V | 0.07 A | 200 mA | 8.4 W |
| | 277 V | 0.03 A | | |
| P3_A10_LU | 120 V | 0.13 A | 360 mA | 15.4 W |
| | 277 V | 0.06 A | | |
| P3_A109D2W_LU | 120 V | 0.12 A | 330 mA | 13.0 W |
| | 277 V | 0.05 A | | |
| P3_A15_LU | 120 V | 0.17 A | 500 mA | 19.8 W |
| | 277 V | 0.07 A | | |

P3RA LyteProfile 3"

Round adjustable accent

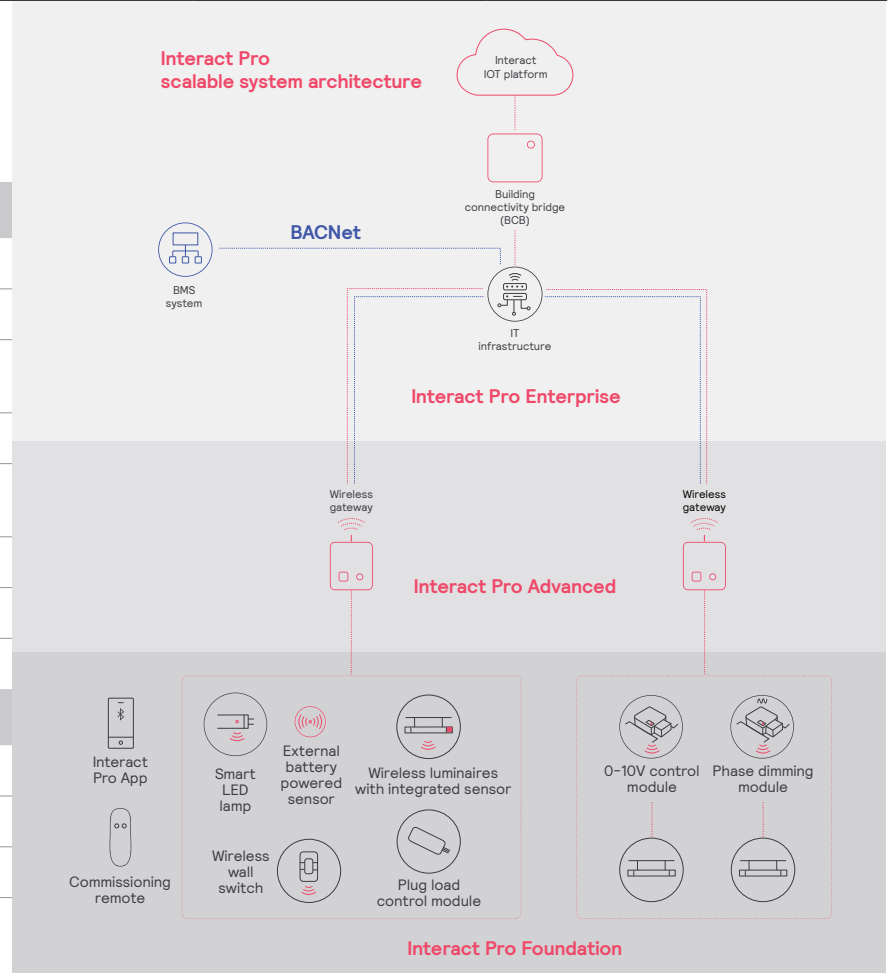
interact

| | Interact Pro scalable system | | |
|---------------------------------------------------|------------------------------|----------|------------|
| | Foundation | Advanced | Enterprise |
| Dimming, grouping, and zoning | ✓ | ✓ | ✓ |
| Bluetooth and ZigBee enabled | ✓ | ✓ | ✓ |
| Motion sensing and daylight harvesting | ✓ | ✓ | ✓ |
| Integration with 0-10V and phase dimming fixtures | ✓ | ✓ | ✓ |
| Code compliance | ✓ | ✓ | ✓ |
| Granular dimming and dwell time | ✓ | ✓ | ✓ |
| Energy reporting and monitoring | | ✓ | ✓ |
| Scheduling | | ✓ | ✓ |
| Demand response | | ✓ | ✓ |
| BMS integration (BACnet) | | | ✓ |
| Floor plan visualization | | | ✓ |
| IoT sensors for wellness | | | ✓ |
| IoT Apps for productivity | | | ✓ |

Currently supported maximum system size

To be able to design the lighting system correctly for the customer, it is important to know the prime characteristics of the system, its possibilities and limitations.

| System level | |
|----------------------------------------------------------------------------------------|---------------------|
| Total number of gateways | Unlimited |
| Total number of devices | 200 per network |
| <ul style="list-style-type: none"> • luminaires with integrated sensors | 150 |
| <ul style="list-style-type: none"> • smart TLEDS | 150 |
| Total number of ZGP devices (sensors and switches) | 50 |
| <ul style="list-style-type: none"> • sensors | 30 |
| <ul style="list-style-type: none"> • switches | 50 |
| <ul style="list-style-type: none"> • zones and groups | 64 |
| Group level | |
| Recommended number of lights | 40 (recommended 25) |
| Number of ZGP devices | 5 |
| Number of scenes | 16 |



P3RA LyteProfile 3"

Round adjustable accent

Wireless Controls Options

Interact Pro scalable sensor (System Bridge Accessory with -CS option):

- CS is a connected sensor with integral occupancy and daylight sensing and supports wireless mesh connectivity.
- The sensor works in the Foundation mode (similar to SpaceWise) when configured without a gateway or in an Interact Pro Advanced or Enterprise mode if a compatible gateway is used.
- Interact Pro includes an App, a portal and a broad portfolio of wireless luminaires, lamps and retrofit kits all working on the same system.
- Startup is implemented via Interact Pro App (Android or iPhone) & Bluetooth connectivity. The App provides flexibility to choose between a gateway or non gateway mode for setup.
- Setup with the gateway requires wired internet access to the gateway. It is possible to add a gateway at a later point.
- Prepare project configuration steps remotely and use IRT9015 remote onsite to identify and group devices together.
- Compatible with:
 - UID8451/10 wireless dimmer switch
 - SWS200 wireless scene switch
 - Battery powered IP42 presence sensor OCC sensor IA CM WH 10/1
 - Battery powered IP42 presence & daylight sensor OCC-DL sensor IA CM IP42 WH
 - Battery powered IP65 presence sensor OCC sensor IA CM IP65 WH
 - Battery powered IP65 presence & daylight sensor OCC-DL sensor IA CM IP65 WH
- For more information on Interact Pro visit: www.interact-lighting.com/interactproscalablesystem.

Interact Pro Enterprise (System Bridge Accessory with -SB option):

- A wireless IoT connected lighting solution for large enterprises that span across multiple floors, buildings and require multiple gateways.
- View all your projects under one dashboard and easily compare insights from multiple projects in one view.
- Compatible with UID8451/10 wireless dimmer switch, SWS200 wireless scene switch, wireless Occ sensor (OCC SENSOR IA CM IP42 WH 10/1) and wireless Day/Occ sensor (OCC MULTI SENSOR IA CM WH 10/1) and wireless Occupancy or Daylight & Occupancy sensors available.
- Use Interact software and insights to increase building efficiency, achieve building wide integration and optimize space through occupancy analytics.
- SB option in addition to occupancy and daylight sensing supports advanced IoT capabilities such as people estimation analysis, desk level temperature & humidity sensing, noise classification, and BLE beacon.
- Requires compatible Gateway and internet connectivity for commissioning.
- For more information, visit: www.interact-lighting.com/office or www.usa.lighting.philips.com/systems/system-areas/offices.

Emergency Options (ER100) (System Bridge Accessory with -ER100 option):

- Power Sensing (Factory default) – Recommended UL924 option requires unswitched power sense line, absence of voltage on the normal circuit triggers luminaire to 100% output
- Power Interruption Detection (Field option) – Detects AC power interruption >30ms triggers 90 minute emergency mode with luminaire at 100% output

Radio only sensor (RADIO):

- Integral RADIO only sensor simply enables wireless mesh connectivity to the luminaire without any occupancy or daylight sensing.
- Ideal for applications where sensing functionality is managed by other Interact devices and the luminaire only needs to have wireless connectivity.

Wired Controls Options

Interact Office Wired (PoE):

- PoE based IoT connected lighting solution for large enterprises that span across multiple floors, buildings and require multiple gateways.
- Use Interact Office software and insights to increase building efficiency, achieve building wide integration and optimize space through occupancy analytics.
- Supports advanced IoT Apps on Personal Control, Space Management, wayfinding, room/desk reservation and offers open APIs for light control and data exchange.
- PoE lighting controller is accessible from below.
- Integral sensor option for occupancy sensing (PIR) and/or daylight harvesting available for additional energy savings.

- Optional integral emergency controller and battery pack provides 600lm nominal output.
- Test switch and indicator light mounted on side of chassis on one end.
- Emergency battery has a 3 month pre-installed shelf life, and must be stored and installed in environments of 20C to 30C (-4F to 86F) ambient, and 45-85% relative humidity.
- For more information on Interact Office Wired, visit: www.interact-lighting.com/office or www.usa.lighting.philips.com/systems/system-areas/offices.

Interact Office Wired (PoE), Static White:

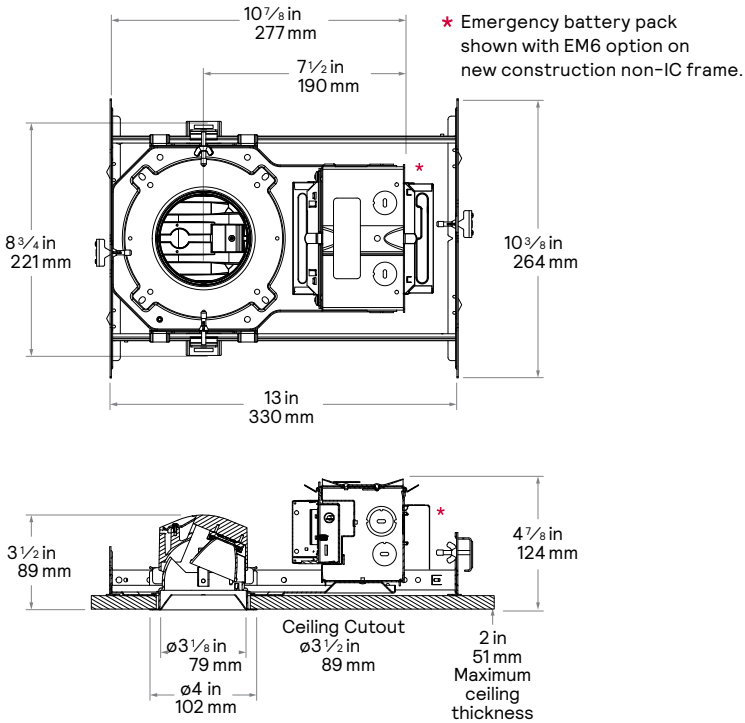
- A wireless IoT connected lighting solution for large enterprises that span across multiple floors, buildings and require multiple gateways.

- View all your projects under one dashboard and easily compare insights from multiple projects in one view.
- Compatible Zigbee Green Power wall dimmer and wireless Occupancy or Daylight & Occupancy sensors available.
- Use Interact Office software and insights to increase building efficiency, achieve building wide integration and optimize space through occupancy analytics.
- Supports advanced IoT Apps on wayfinding, room/desk reservation and offers open APIs
- Requires compatible Interact Office Gateway and internet connectivity for commissioning.
- For more information on Interact Office Wireless, visit: www.interact-lighting.com/office or www.usa.lighting.philips.com/systems/system-areas/offices.

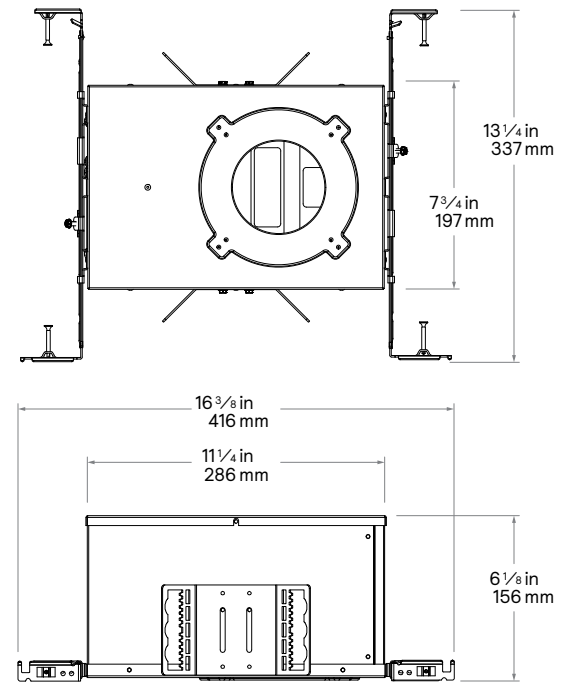
P3RA LyteProfile 3"

Round adjustable accent

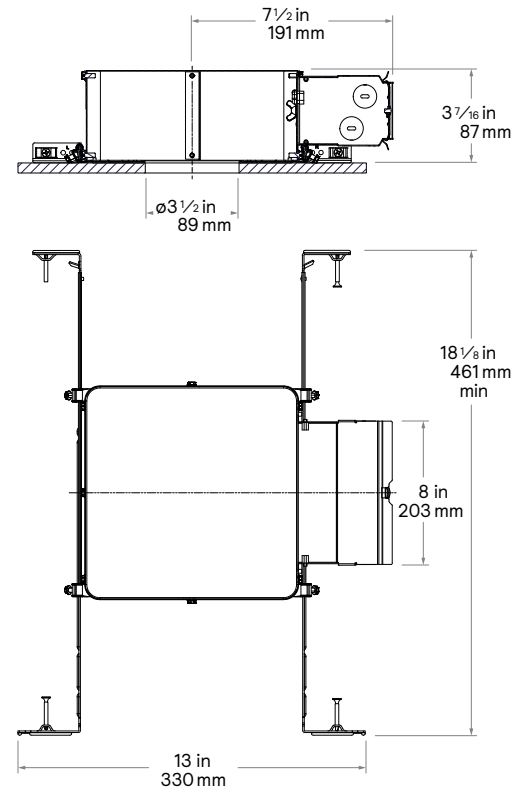
New construction (N)



Standard IC (A) and Chicago plenum (LC)



Shallow IC (S)



P3RA LyteProfile 3"

Round adjustable accent

Polished Reflectors Shown as round reflectors but represent the finish of LyteProfile square reflectors.



Specular clear (CL): Most specular and most efficient finish, delivers maximum photometric performance but can produce a mirror image effect of the interior space.



White (WH): (matte) Brightest illuminated aperture and provides the smoothest transition to most ceilings when off (white is only available with a white flange).



Comfort clear (CC): Semi-specular finish that softens the light at the source of the reflector and creates a subtle, even luminance from the reflector cone.



Black (BK): (anodized) Specular finish that provides the lowest aperture brightness possible and significantly reduces source identification in a ceiling.



Comfort clear diffuse (CD): Slightly diffuse clear finish, that eliminates iridescence and reduces the mirror image effect inherent with specular finishes.

Flanges



White (-): (matte) Provides the smoothest transition to ceilings when off.



Polished (P): (matches aperture) Produces a continuous look throughout the reflector (aperture matching).

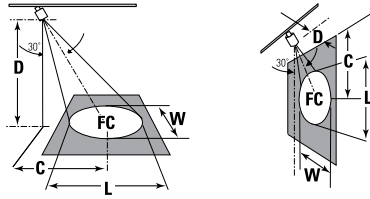
P3RA LyteProfile 3"

Round adjustable accent

Aiming angles

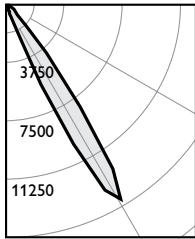
L and W are the outer points where the candle power drops to 50% of the maximum. FC are the initial footcandles at the center of the beam. Data shown is for 3000K, use the table on the right for CRI/CCT adjustment factors.

FC Footcandles
L Beam length
W Beam Width
D Distance
A Aiming Angle
C Distance to center beam
CBCP Center Beam Candlepower



Adjustment Factors

| Standard | Shallow 1" Regress | CCT (90CRI) | Lumens |
|-----------|--------------------|--------------|---------------|
| CL = 105% | WT = 112% | 4000K = 107% | 1500lm = 130% |
| CC = 100% | D = 100% | 3500K = 100% | 1000lm = 100% |
| CD = 80% | BZ = 77% | 3000K = 93% | 500lm = 50% |
| WH = 80% | BT = 74% | 2700K = 87% | |
| CZ = 78% | | | |
| BK = 40% | | | |



Frame: **3RN**
Engine: **P3RA10935NSCCZ10U**

Output lumens: 1155 lms
Input watts: 15.6 W
CRI: 90 min
CCT¹: 3500 K
CBCP: 14486 cd
Beam Angle: 13°

Efficacy: **74.0 lm/w**
Report²: F041198

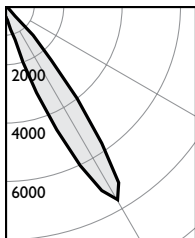
Narrow Spot, 1000lm engine, 74 lm/W at 16W

30° Horizontal Aiming

| Distance | | | Beam | | |
|----------|-----|------|------|-----|--|
| D | C | F.C. | L | W | |
| 6 | 3.5 | 261 | 1.8 | 1.6 | |
| 8 | 4.6 | 147 | 2.4 | 2.1 | |
| 10 | 5.8 | 94 | 3.1 | 2.6 | |
| 12 | 6.9 | 65 | 3.7 | 3.2 | |

30° Vertical Aiming

| Distance | | | Beam | | |
|----------|-----|------|------|-----|--|
| D | C | F.C. | L | W | |
| 2 | 3.5 | 453 | 1.9 | 0.9 | |
| 3 | 5.2 | 201 | 2.8 | 1.4 | |
| 4 | 6.9 | 113 | 3.8 | 1.8 | |
| 5 | 8.7 | 72 | 4.7 | 2.3 | |



Frame: **3RN**
Engine: **P3RA10935SPCCZ10U**

Output lumens: 1046 lms
Input watts: 15.6 W
CRI: 90 min
CCT¹: 3500 K
CBCP: 7624 cd
Beam Angle: 17°

Efficacy: **67.1 lm/w**
Report²: F041201

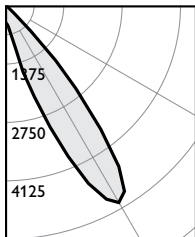
Spot, 1000lm engine, 67 lm/W at 16W

30° Horizontal Aiming

| Distance | | | Beam | | |
|----------|-----|------|------|-----|--|
| D | C | F.C. | L | W | |
| 6 | 3.5 | 138 | 2.4 | 2.1 | |
| 8 | 4.6 | 77 | 3.2 | 2.8 | |
| 10 | 5.8 | 50 | 4.0 | 3.5 | |
| 12 | 6.9 | 34 | 4.8 | 4.1 | |

30° Vertical Aiming

| Distance | | | Beam | | |
|----------|-----|------|------|-----|--|
| D | C | F.C. | L | W | |
| 2 | 3.5 | 238 | 2.6 | 1.2 | |
| 3 | 5.2 | 106 | 3.8 | 1.8 | |
| 4 | 6.9 | 60 | 5.1 | 2.4 | |
| 5 | 8.7 | 38 | 6.4 | 3.0 | |



Frame: **3RN**
Engine: **P3RA10935NFCCZ10U**

Output lumens: 1008 lms
Input watts: 15.6 W
CRI: 90 min
CCT¹: 3500 K
CBCP: 5339 cd
Beam Angle: 21°

Efficacy: **64.6 lm/w**
Report²: F041204

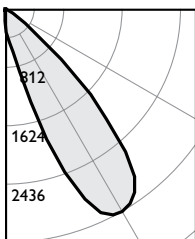
Narrow Flood, 1000lm engine, 65 lm/W at 16W

30° Horizontal Aiming

| Distance | | | Beam | | |
|----------|-----|------|------|-----|--|
| D | C | F.C. | L | W | |
| 6 | 3.5 | 96 | 3.0 | 2.6 | |
| 8 | 4.6 | 54 | 4.0 | 3.4 | |
| 10 | 5.8 | 35 | 5.0 | 4.3 | |
| 12 | 6.9 | 24 | 6.0 | 5.1 | |

30° Vertical Aiming

| Distance | | | Beam | | |
|----------|-----|------|------|-----|--|
| D | C | F.C. | L | W | |
| 2 | 3.5 | 167 | 3.3 | 1.5 | |
| 3 | 5.2 | 74 | 5.0 | 2.2 | |
| 4 | 6.9 | 42 | 6.6 | 3.0 | |
| 5 | 8.7 | 27 | 8.3 | 3.7 | |



Frame: **3RN**
Engine: **P3RA10935FLCCZ10U**

Output lumens: 1024 lms
Input watts: 15.6 W
CRI: 90 min
CCT¹: 3500 K
CBCP: 3253 cd
Beam Angle: 29°

Efficacy: **65.6 lm/w**
Report²: F041207

Flood, 1000lm engine, 66 lm/W at 16W

30° Horizontal Aiming

| Distance | | | Beam | | |
|----------|-----|------|------|-----|--|
| D | C | F.C. | L | W | |
| 6 | 3.5 | 59 | 4.2 | 3.6 | |
| 8 | 4.6 | 33 | 5.6 | 4.8 | |
| 10 | 5.8 | 21 | 7.1 | 6.0 | |
| 12 | 6.9 | 15 | 8.5 | 7.2 | |

30° Vertical Aiming

| Distance | | | Beam | | |
|----------|-----|------|------|-----|--|
| D | C | F.C. | L | W | |
| 2 | 3.5 | 102 | 5.2 | 2.1 | |
| 3 | 5.2 | 45 | 7.8 | 3.1 | |
| 4 | 6.9 | 25 | 10.4 | 4.1 | |
| 5 | 8.7 | 16 | 12.9 | 5.2 | |

1. Correlated Color Temperature within specs as defined in ANSI_NEMA_ANSI C78.377-2008: Specifications for the Chromaticity of Solid State Lighting Products.
2. Tested using absolute photometry as specified in LM79: IESNA Approved Method for the Electrical and Photometric Measurements of Solid-State Lighting Products.

