

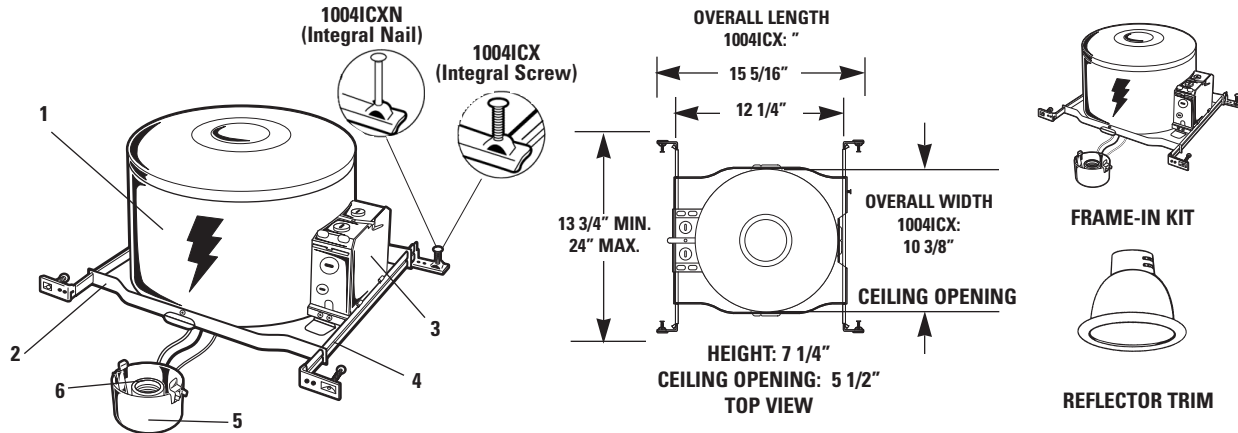
**5" Aperture**  
**Lyte<sup>™</sup> High Wattage Incandescent**  
**AirSeal Insulated Ceiling Frame-In Kit**

**Lytecaster<sup>®</sup>**  
**Recessed**  
**Downlighting**

**1004ICX**

A0101

TYPE:



**5" APERTURE: Complete Fixture consists of Reflector Trim & Frame-in Kit. Select each separately.**

Frame - In Kit	Reflector Trims - See individual Reflector Trim Specification Sheets.								
	Open Downlight					Adjustable		Enclosed Diffusers	Wall Washer
	Alzak <sup>®</sup> Reflector	Alzak <sup>®</sup> Cone	Satin Cone	Baffles	Basic White	Recessed	Eyeball		
<input type="checkbox"/> 1004ICX	<input type="checkbox"/> 1045 <input type="checkbox"/> 1046	<input type="checkbox"/> 1012 <input type="checkbox"/> 1013 <input type="checkbox"/> 1013BK <input type="checkbox"/> 1013WH	<input type="checkbox"/> 1008 <input type="checkbox"/> 1010 <input type="checkbox"/> 1076	<input type="checkbox"/> 1005 <input type="checkbox"/> 1005WH <input type="checkbox"/> 1027BK <input type="checkbox"/> 1076WH	<input type="checkbox"/> 1071	<input type="checkbox"/> 1027 <input type="checkbox"/> 1027WH <input type="checkbox"/> 1038 <input type="checkbox"/> 1048	<input type="checkbox"/> 1022 <input type="checkbox"/> 1022WH <input type="checkbox"/> 1023 <input type="checkbox"/> 1023WH <input type="checkbox"/> 1082	<input type="checkbox"/> 1021 <input type="checkbox"/> 1024	<input type="checkbox"/> 1035 <input type="checkbox"/> 1035WH <input type="checkbox"/> 1085 <input type="checkbox"/> 1075 <input type="checkbox"/> 1096 <input type="checkbox"/> 1095
<input type="checkbox"/> 1004ICXN									

**Features**

- Housing:** .032" (#20 ga.) aluminum. UL listed for direct contact with thermal insulation. AirSeal<sup>®</sup> housing minimizes air leakage to less than 2 CFM at 1.57 PSF (or 75pa), which complies with Model Energy Code (Section 602.3.3) and Washington State Energy Code (Section 502.4) and reduces heat loss and condensation in ceiling. Access door for inspection of junction box.
- Mounting Frame:** .032" (#22ga.) galvanized steel. Accommodates ceilings up to 1" thick. 3/8" deep integral lip. Locks into position along length of mounting bars with locking screw and bendable slot. Four slots are positioned 90° apart to simplify alignment. Push-in/twist-out roto-clips hold reflector flush to ceiling.
- Junction Box:** 2" X 4" X 3 1/2" (22 cu. in.) .032" (#22 ga.) galvanized steel. UL listed for maximum of 6 (#12 ga.) 90°C through branch circuit conductors. Integral cable clamps permit attachment of non-metallic (#12 or #14 ga.) Romex<sup>®</sup> cable without tools or additional connectors.
- Mounting Bars:** .059" (#16 ga.) galvanized steel. Bars pivot for easy attachment and wire-in below ceiling line. Bars extend to accommodate 16" to 24" O.C. joist spacing. Bars can accommodate 12" O.C. joist spacing after a slight field modification (see Instruction Sheet). 1004ICX features integral self tapping

phillips screws for secure attachment to wood or metal construction. 1004ICXN features integral nails for secure attachment to wood. Both attach to T-bar ceilings without the need of accessories.

- Socket Housing:** Impact extruded aluminum or galvanized steel.
- Socket:** Porcelain medium base; nickel plated screw shell. Pre-wired with #18 ga. SF1 (300 Volt 200° C) leads to junction box.
- Thermal Protector:** Meets NEC and UL requirements.

**Options & Accessories**

**Extra-Thick Ceiling Mounting Ring:** 1967B - up to 2" thick ceilings

**Labels**

UL (Type I.C., Suitable for Damp Location); I.B.E.W.  
 U.S. and Foreign Patents Pending.  
 Complies with Air Leakage Requirements stated in the Model Energy Code and the Washington State Energy Code.

WE RESERVE THE RIGHT TO CHANGE DETAILS OF DESIGN, MATERIALS, AND FINISH.

Alzak<sup>®</sup> is a registered trademark of The Aluminum Company of America. Romex<sup>®</sup> is a registered Trademark of General Cable Industries Inc.

**LIGHTOLIER a GENLYTE THOMAS company.**  
 631 Airport Road, MA 02720  
 (508) 679-8131 • Fax (508) 674-4710

Copyright 2001

**LIGHTOLIER**