



Lightolier LyteCaster LED Accent shower light features a 3.5" luminaire height that conserves plenum space. The modular and interchangeable light engine allows for an easy future upgrade. The accent shower light is wet location listed and comes in 2 standard finish options.

Project: _____
 Location: _____
 Cat.No: _____
 Type: _____
 Lamps: _____ Qty: _____
 Notes: _____

Complete product = Frame-in kit + Light engine + Trim Order each separately

Ordering guide: Frame-In kit

Example: L3AE1

Series	Frame type	Dimming	Input voltage
<input type="checkbox"/> L3	<input type="checkbox"/>	<input type="checkbox"/>	<input type="checkbox"/>
L3 LyteCaster 3" Accent	A AirSeal IC, New Construction, Screw AN AirSeal IC, New Construction, Nail C Remodeler Non-IC	E ELV/Triac dimming	1 120V
	N New Construction Non-IC	Z10 0-10V	U Universal (120-277V)

Ordering guide: Light engine

Example: L308830NF

Series	Lumens	CRI	CCT	Beam	Option
<input type="checkbox"/> L3	<input type="checkbox"/> 08	<input type="checkbox"/>	<input type="checkbox"/>	<input type="checkbox"/>	<input type="checkbox"/>
L3 LyteCaster 3" Accent	08 800	8 80	27 2700K 30 3000K 35 3500K	S Spot, 31° NF Narrow flood, 34° F Flood, 41°	
		9 90	27 2700K 30 3000K ¹	S Spot, 31° NF Narrow flood, 34° F Flood, 41°	CW CrispWhite ¹

Ordering guide: Square trim

Example: L3SSW

Series	Shape	Luminaire type	Flange
<input type="checkbox"/> L3	<input type="checkbox"/> S	<input type="checkbox"/> S	<input type="checkbox"/>
L3 LyteCaster 3" Accent	S Square	S Shower light	W White A Aluminum

1. 3000K and CrispWhite must be ordered together.



L3SS LyteCaster LED 3" Accent

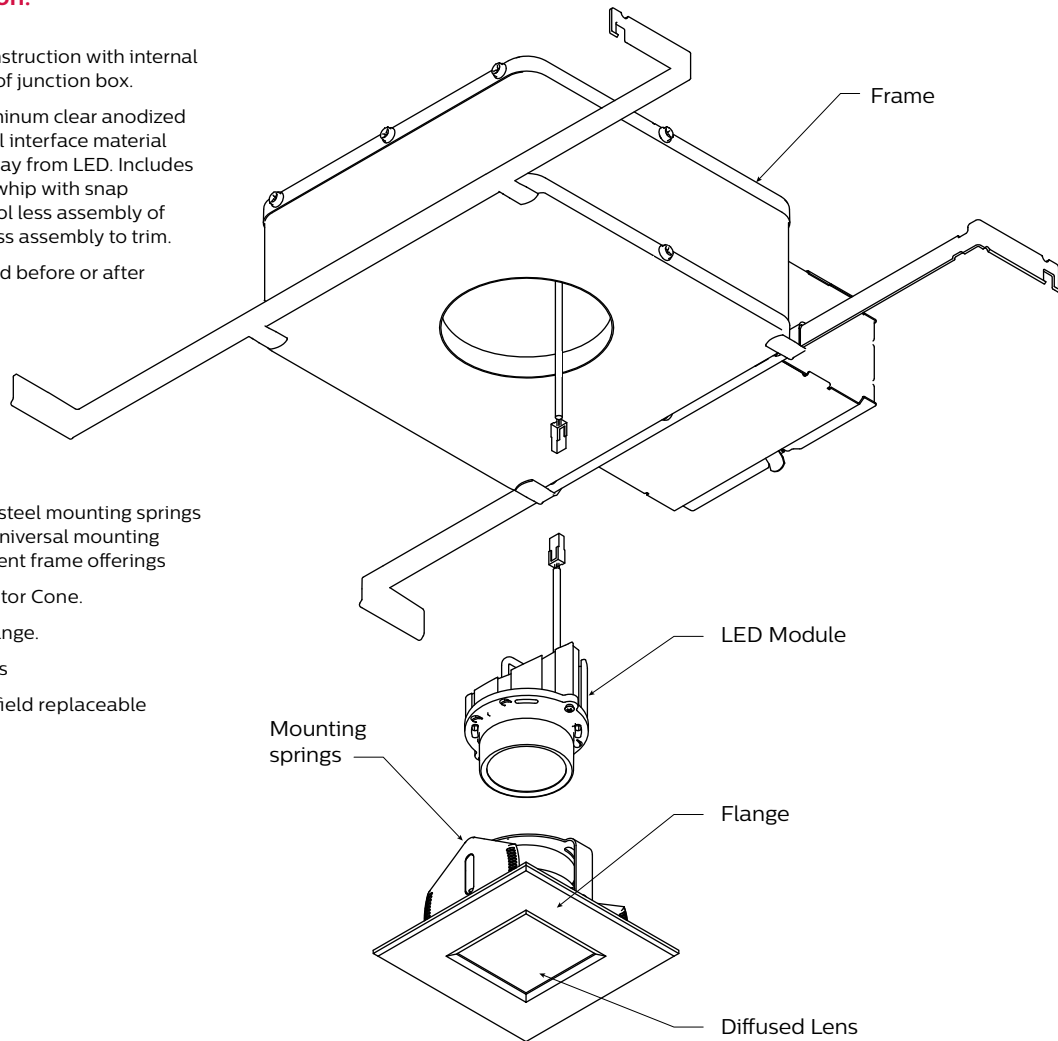
Square Shower Light

Assembled configuration:

1. Frame Galvanized steel construction with internal access door for inspection of junction box.
2. LED Module Extruded Aluminum clear anodized finish heat sink with thermal interface material efficiently transfers heat away from LED. Includes strain relieved low voltage whip with snap interconnector for quick, tool less assembly of power connection. Tool-less assembly to trim.
3. LED Module can be installed before or after trim installation.

4. Mounting springs stainless steel mounting springs min 0.013" thick provide a universal mounting solution between the different frame offerings
5. Reflector: Aluminum Reflector Cone.
6. Die Cast Aluminum Trim Flange.
7. Diffused Lens: Frosted Glass

Note: LED module allows for field replaceable optics. Order separately.

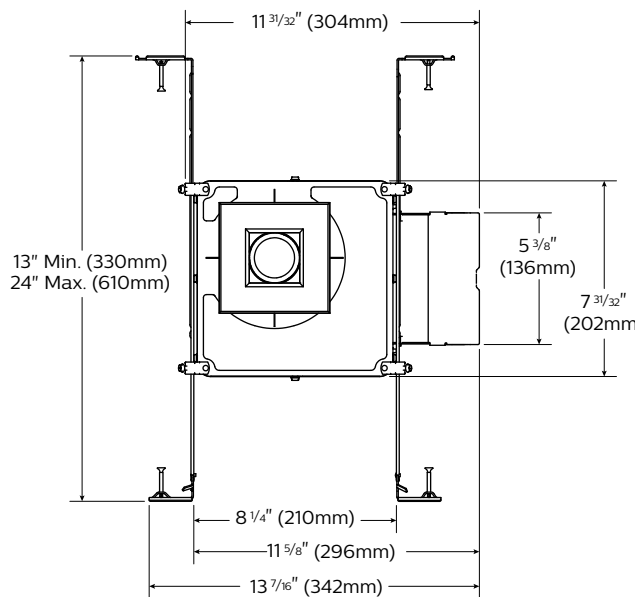


L3SS LyteCaster LED 3" Accent

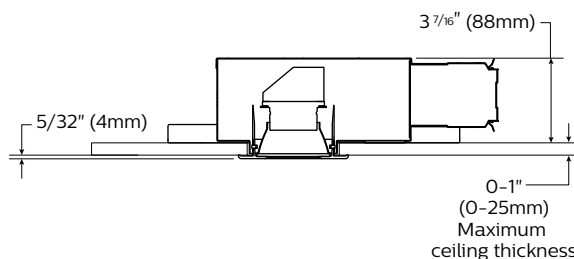
Square Shower Light

L3AE1 & L3ANE1 new construction in IC AirSeal frame-in kits

Bottom view

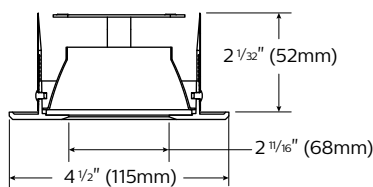


Side view

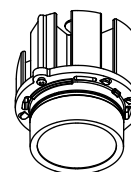


Square trim

Side view



Light engine



Features

- Housing:** #23 ga. (.026") thick Galvanized steel. cULus listed for direct contact with thermal insulation (IC rated). AirSeal housing minimizes air leakage to less than 2 CFM at 1.57PSF (or 75PA), which complies with Title 24, the International Energy Conversation Code, and Washington State Energy Code (Section 502.4). This helps to reduce heat loss and condensation in ceiling. Internal access door for inspection of junction box.
- Lower frame and top cover:** #23 ga. (.026") thick Galvanized steel. Accommodates ceilings up to 1" (25.4 mm) thick. Bottom cover provided with a .5" (6.2mm) lip and 4 embossed indicator lines to simplify alignment during installation. Housing can be locked into position on the mounting bars with locking screws.
- Junction box:** 2 1/2" (64mm) x 5 3/8" (137mm) x 2" (51mm) #21 ga. (.032") thick galvanized steel, cULus listed 90 degrees C rated supply conductors. Rated for branch circuit wiring supplying connected luminaires (daisy chaining).
- Mounting bars:** #16 ga. (.059") thick galvanized steel. Bars pivot for easy attachment and wire in from below the ceiling line. Bars can extend to accommodate 16" (406mm) to 24" (610mm) O.C. joist spacing. Bars can accommodate 12" (305mm) O.C. joist spacing after slight field modification (see instruction sheet). Features integral self-tapping screw phillips/square drive for attachment to wood or metal construction. Also available with integral nails (N). Attaches to T-bar ceilings without accessories. Bars installed on shortest dimension of frame can be easily rotated 90° from original position.
- Electronic dimming driver:** Class 2 electronic LED Driver, with less than 1 second start up, RoHS compliant, suitable for damp locations. 120v 50/06Hz >.9 power factor. Sound rating Class "A" (<24dB). Complies with FCC,CFR title 47 part 15 Class B for EMI/RFI. Dimmable with standard electronic low voltage (ELV) & Triac dimmers. Dims to less than or equal to 10% of relative high output. 5 year limited warranty.
- Ceiling cutout:** 3 3/4" diameter.

Electrical

Input voltage 120v, Input freq.: 50/60 hz, Input current .25 amps, Input Power 12W, Power factor >.9

Warranty

5 year limited warranty. (visit philips.com/warranties for details)

Labels

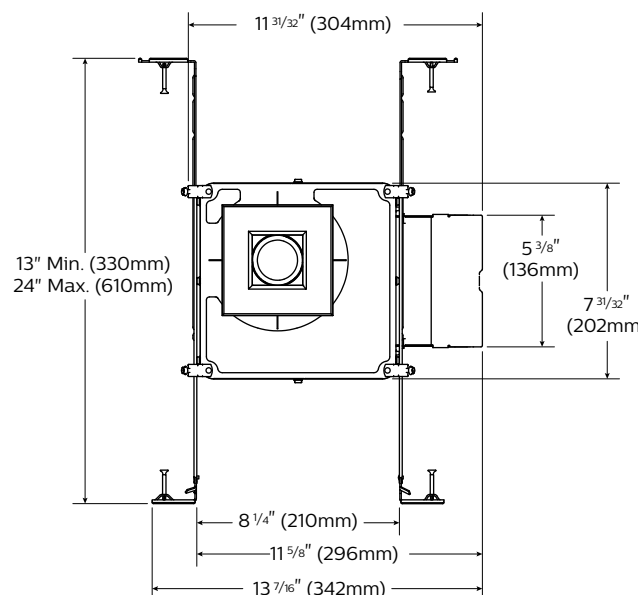
cULus type IC listed suitable for wet location. AirSeal.

L3SS LyteCaster LED 3" Accent

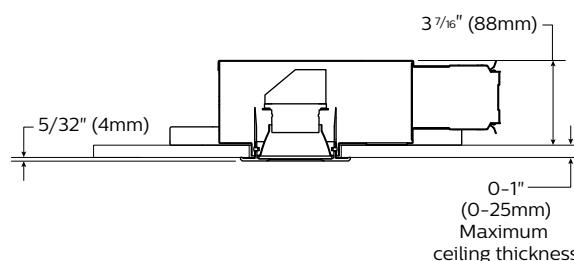
Square Shower Light

L3NZ10V New construction non IC 0-10V frame-in kit

Bottom view

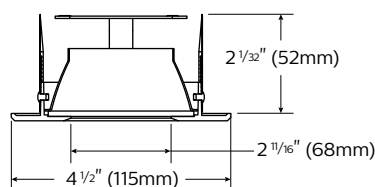


Side view

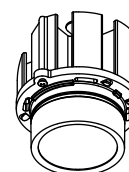


Square trim

Side view



Light engine



Features

- 1. Non-IC housing:** #23 ga. (.026") thick Galvanized steel. cULus listed for damp locations. AirSeal housing minimizes air leakage to less than 2CFM at 1.57 PSF (or 75PA), complies with Title 24, International Energy Conservation Code, and Washington State Energy Code (section 502.4) Frame provided with internal access door for inspection of junction box.
- 2. Lower frame and top cover:** #23 ga. (.026 ") thick Galvanized steel. Accommodates ceilings up to 1" (25.4 mm) thick. Bottom cover provided with a .5" (6.2mm) lip and 4 embossed indicator lines to simplify alignment during installation. Housing can be locked into position on the mounting bars with locking screws.
- 3. Junction box:** 2 1/2" (64mm) x 5 3/8" (137mm) x 2" (51mm) #21 ga. (.032") thick galvanized steel, cULus listed 90 degrees C rated supply conductors. Rated for branch circuit wiring supplying connected luminaires (daisy chaining).
- 4. Mounting bars:** #16 ga. (.059") thick galvanized steel. Bars pivot for easy attachment and wire in from below the ceiling line. Bars can extend to accommodate 16" (406mm) to 24" (610mm) O.C. joist spacing. Bars can accommodate 12" (305mm) O.C. joist spacing after slight field modification. (see instruction sheet) Features integral self-tapping screw phillips/square drive screws for attachment to wood or metal construction. Attaches to T-bar ceilings without accessories. Bars installed on shortest dimension of frame can be easily rotated 90° from original position.
- 5. Electronic dimming driver:** Class 2 electronic LED driver, RoHS compliant, suitable for damp location. 120/277v 50/06Hz >.9 power factor. MTP (module thermal protection) current cutback up to 10% to prevent overheating. Sound rating Class "A" (<24dB). Complies with FCC, CFR title 47 part 15 Class A for EMI/RFI. Dimming Protocol (0-10v). Dims to less than or equal to 10% of relative high output.
- 6. Ceiling cutout:** 3 3/4" diameter.

Electrical

Input voltage: 120/277, input freq.:50/60Hz. Input current .14A/.06A Input Power 16.4W, Power factor >.9

Warranty

5 year limited warranty. (visit philips.com/warranties for details)

Labels

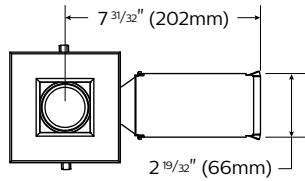
cULus listed suitable for wet location. AirSeal. Inherently Protected. IP rated.

L3SS LyteCaster LED 3" Accent

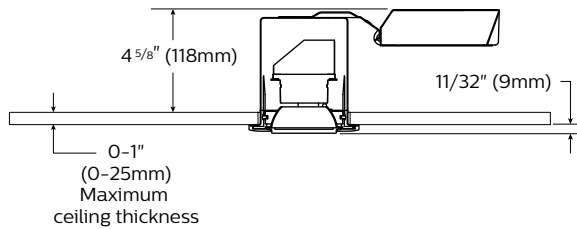
Square Shower Light

L3CE1 Non-IC Remodeler kit

Bottom view

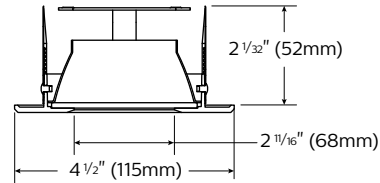


Side view

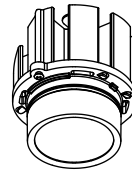


Square trim

Side view



Light engine



Features

- 1. Non-IC housing:** #25 ga. (.025") thick Galvanized steel. Provided with 2 plated steel retaining springs that can accommodate ceiling thickness up to 1" (25.4mm) thick. Philips screw driver required to tighten springs that secure housing to ceiling.
- 2. Junction box:** #22 ga. (.034") thick Galvanized steel. cULus, suitable for damp locations. Junction box assembly swivels for tight plenum spaces. Snap off cover permits wiring access.
- 3. Electronic dimming driver** (same as new construction): Class 2 electronic LED Driver, with less than 1 second start up, RoHS compliant, suitable for damp locations. 120v 50/06Hz >.9 power factor. Sound rating Class "A" (<24dB). Complies with FCC,CFR title 47 part 15 Class B for EMI/RFI. Dimmable with standard electronic low voltage (ELV) & Triac dimmers. Dims to less than or equal to 10% of relative high output. 5 year limited warranty.
- 4. Trim compatibility:** Not compatible with adjustable trims except for L3RG series Gimbals.
- 5. Ceiling cutout** 3 3/4" diameter.

Electrical

Input voltage 120/277v, Input freq.: 50/60 hZ, Input current .25 amps, Input Power 12W, Power factor >.9

Warranty

5 year limited warranty. (visit philips.com/warranties for details)

Labels

cULus listed suitable for wet location, inherently protected (IP rated).

L3SS LyteCaster LED 3" Accent

Square Shower Light

Adjustment factors

Color temperature (CCT)

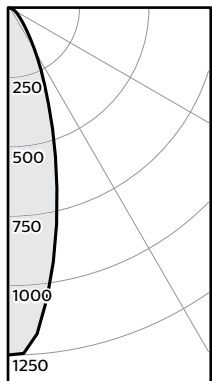
2700K = 88%
3000K = 96%
3500K = 100%

Color Rendering Index (CRI)

80 = 100%
90 = 85%
90 (CW) = 78%
Crisp White

Beam spread: Spot

Candela Curves



Angle	Mean CP	Lumens
0	1247	
5	1176	101
10	926	
15	671	177
20	461	
25	307	135
30	207	
35	138	85
40	96	
45	69	53
50	51	
55	40	36
60	32	
65	24	24
70	18	
75	12	12
80	6	
85	2	2
90	0	

Frame: L3NZ10U
Light engine: L308835S
Trim: L3SSW

Report no³: 545GFR

Output lumens:	623lm	Efficacy:	52.8lm/W
Input Watts:	11.8W	CCT ² :	3500K
Beam angle:	31°	CRI:	≥80
Spacing Criterion:	0.5		

Single unit data

Height to Lighted Plane	Initial Center Beam Foot-Candles	Beam Dia. (ft)*
5'	50	2.5'
6'	35	3.0'
7'	25	3.5'
8'	19	4.0'
9'	15	4.5'

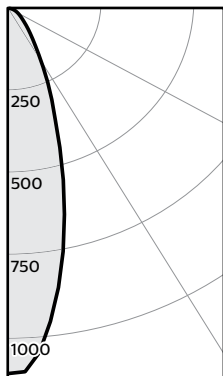
Zonal lumens & percentages

Zone	Lumens	%Luminaire
0-30	411	66.0%
0-40	496	79.5%
0-60	585	93.9%
0-90	623	100.0%

* Beam diameter is where foot-candles drop to 50% of maximum.

Beam spread: Narrow flood

Candela Curves



Angle	Mean CP	Lumens
0	1107	
5	1048	92
10	859	
15	647	174
20	449	
25	306	137
30	205	
35	138	87
40	99	
45	73	56
50	54	
55	42	38
60	33	
65	25	25
70	18	
75	12	13
80	6	
85	2	3
90	0	

Frame: L3NZ10U
Light engine: L308835NF
Trim: L3SSW

Report no³: 535GFR

Output lumens:	623lm	Efficacy:	52.8lm/W
Input Watts:	11.8W	CCT ² :	3500K
Beam angle:	34°	CRI:	≥80
Spacing Criterion:	0.6		

Single unit data

Height to Lighted Plane	Initial Center Beam Foot-Candles	Beam Dia. (ft)*
5'	44	3.0'
6'	31	3.6'
7'	23	4.2'
8'	17	4.8'
9'	14	5.4'

Zonal lumens & percentages

Zone	Lumens	%Luminaire
0-30	402	64.5%
0-40	489	78.5%
0-60	583	93.6%
0-90	623	100.0%

* Beam diameter is where foot-candles drop to 50% of maximum.

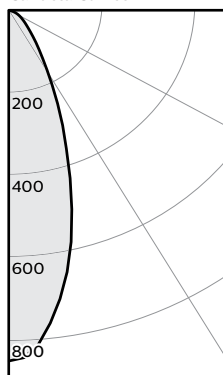
1. Wattage: controlled to within ± 10%
2. Correlated Color Temperature: within specs as defined in ANSI_NEMA_ANSI C78.377-2008: Specifications for the Chromaticity of Solid State Lighting Products.
3. Tested using absolute photometry as specified in LM79: IESNA Approved Method for the Electrical and Photometric Measurements of Solid-State Lighting Products.

L3SS LyteCaster LED 3" Accent

Square Shower Light

Beam spread: Flood

Candela Curves



Angle	Mean CP	Lumens
0	851	
5	814	
10	711	74
15	581	161
20	433	
25	307	145
30	209	
35	142	96
40	101	
45	73	60
50	55	
55	43	40
60	33	
65	26	26
70	19	
75	12	13
80	7	
85	3	3
90	0	

Frame: L3NZ10U
Light engine: L308835F
Trim: L3SSW

Report no³: 521GFR

Output lumens:	617 lm	Efficacy:	52.3 lm/W
Input Watts ¹ :	11.8 W	CCT ² :	3500 K
Beam angle:	41°	CRI:	≥80
Spacing Criterion:	0.8		

Single unit data

Height to Lighted Plane	Initial Center Beam Foot-Candles	Beam Dia. (ft)*
5'	34	4.0'
6'	24	4.8'
7'	17	5.6'
8'	13	6.4'
9'	11	7.2'

Zonal lumens & percentages

Zone	Lumens	%Luminaire
0-30	380	61.6%
0-40	476	77.1%
0-60	575	93.2%
0-90	617	100.0%

* Beam diameter is where foot-candles drop to 50% of maximum.

1. Wattage: controlled to within ± 10%
2. Correlated Color Temperature: within specs as defined in ANSI_NEMA_ANSI C78.377-2008: Specifications for the Chromaticity of Solid State Lighting Products.
3. Tested using absolute photometry as specified in LM79: IESNA Approved Method for the Electrical and Photometric Measurements of Solid-State Lighting Products.

Electrical Specifications

Frame-in kit	Input volts	Input freq.	Input current	LED drive current	Input power	LED power	THD factor	Power factor
L3AE1	120V	50/60Hz	.090 A	260 ma	10.64 W	8.76 W	<20%	> .9
L3ANE1	120V	50/60Hz	.090 A	260 ma	10.64 W	8.76 W	<20%	> .9
L3CE1	120V	50/60Hz	.090 A	260 ma	10.64 W	8.76 W	<20%	> .9
L3NZ10U	120V	50/60Hz	.102 A	260 ma	11.8 W	9.74 W	<10%	> .8
	277V	50/60Hz	.047 A	260 ma	11.8 W	8.90 W	<10%	> .8

