



Lightolier LyteCaster LED Accent adjustable features a 3.5" luminaire height that conserves plenum space without compromising the 35° adjustable tilt. The modular and interchangeable light engine allows for an easy future upgrade. The accent adjustable is damp location listed and comes in 2 standard finish options.

Project: _____
 Location: _____
 Cat.No: _____
 Type: _____
 Lamps: _____ Qty: _____
 Notes: _____

Complete product = Frame-in kit + Light engine + Trim Order each separately

Ordering guide: Frame-In kit

Example: L3AE1

| Series | Frame type | Dimming | Input voltage |
|-------------------------|--|----------------------------|-------------------------------|
| L3 | | | |
| L3 LyteCaster 3" Accent | A AirSeal IC, New Construction, Screw | E ELV/Triac dimming | 1 120V |
| | AN AirSeal IC, New Construction, Nail | | |
| | N New Construction Non-IC | Z10 0-10V | U Universal (120-277V) |

Ordering guide: Light engine

Example: L308830NF

| Series | Lumens | CRI | CCT | Beam | Option |
|-------------------------|-----------|------|-----------------------------------|--|-----------------------------------|
| L3 | 08 | | | | |
| L3 LyteCaster 3" Accent | 08 800 | 8 80 | 27 2700K | S Spot, 16° NF Narrow flood, 20° F Flood, 27° | |
| | | | 30 3000K 35 3500K | | |
| | | 9 90 | 27 2700K 30 3000K ¹ | S Spot, 16° NF Narrow flood, 20° F Flood, 27° | CW CrispWhite ¹ |

Ordering guide: Square trim

Example: L3SAD

| Series | Shape | Luminaire type | Finish | Flange |
|-------------------------|-----------------|---------------------|-----------------------|---|
| L3 | S | A | D | |
| L3 LyteCaster 3" Accent | S Square | A Adjustable | D Diffuse cone | blank White A Aluminum |

1. 3000K and CrispWhite must be ordered together



L3SAD LyteCaster LED 3" Accent

Square Adjustable

Ordering guide: Accessories

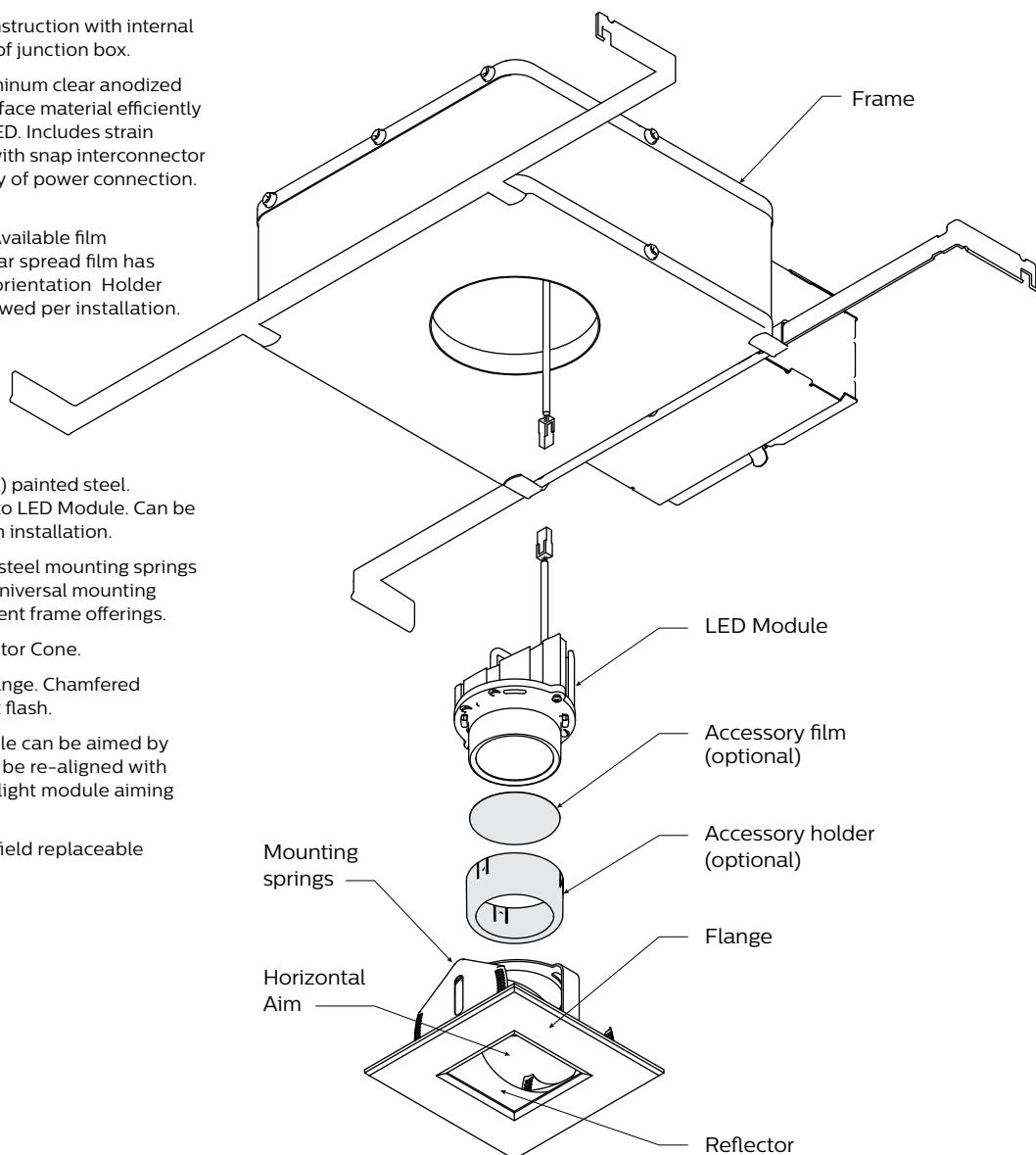
| Series | Type | Beam | Finish |
|----------------------------|---|---|----------------------------------|
| L3 | <input type="checkbox"/> | <input type="checkbox"/> | <input type="checkbox"/> |
| L3 LyteCaster 3.75" Accent | AH Accessory holder | | W White B Black |
| | LS Linear lens spread film ² SD 5° soft diffusion film ² | | |
| | RP Replacement Optic | S Spot NF Narrow flood F Flood | |

2. Accessory holder required.

Assembled configuration:

1. Frame Galvanized steel construction with internal access door for inspection of junction box.
2. LED Module Extruded Aluminum clear anodized heat sink with thermal interface material efficiently transfers heat away from LED. Includes strain relieved low voltage whip with snap interconnector for quick, tool less assembly of power connection. Tool-less assembly to trim.
3. Accessory Film (Optional) Available film accessories: .010 thick Linear spread film has notch to assist with beam orientation Holder required; only one film allowed per installation.
4. Accessory Holder (Optional) painted steel. Accessory holder snaps onto LED Module. Can be installed before or after trim installation.
5. Mounting springs stainless steel mounting springs min 0.013" thick provide a universal mounting solution between the different frame offerings.
6. Reflector: Aluminum Reflector Cone.
7. Die Cast Aluminum Trim Flange. Chamfered aperture reduces edge light flash.
8. Horizontal Aim: Light module can be aimed by rotating flange. Flange can be re-aligned with room or wall while leaving light module aiming unchanged.

Note: LED module allows for field replaceable optics. Order separately.

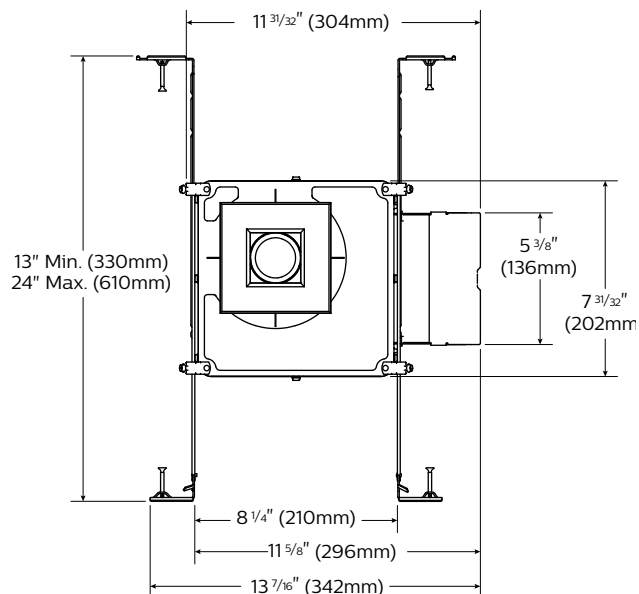


L3SAD LyteCaster LED 3" Accent

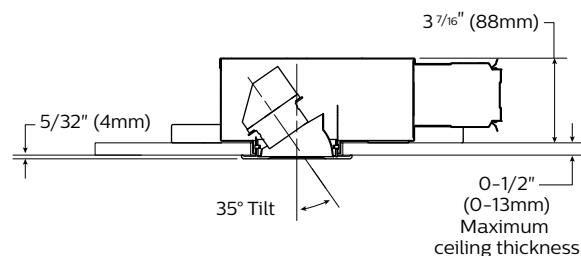
Square Adjustable

L3AE1 & L3ANE1 new construction in IC AirSeal frame-in kits

Bottom view

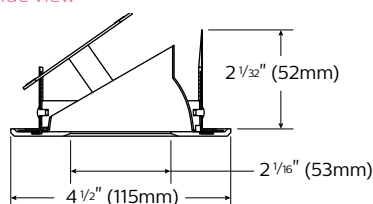


Side view

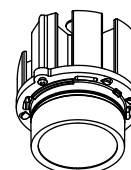


Square trim

Side view



Light engine



Features

- Housing:** #23 ga. (.026") thick Galvanized steel. cULus listed for direct contact with thermal insulation (IC rated). AirSeal housing minimizes air leakage to less than 2 CFM at 1.57PSF (or 75PA), which complies with Title 24, the International Energy Conservation Code, and Washington State Energy Code (Section 502.4). This helps to reduce heat loss and condensation in ceiling. Internal access door for inspection of junction box.
- Lower frame and top cover:** #23 ga. (.026") thick Galvanized steel. Accommodates ceilings up to 1" (25.4 mm) thick. Bottom cover provided with a .5" (6.2mm) lip and 4 embossed indicator lines to simplify alignment during installation. Housing can be locked into position on the mounting bars with locking screws.
- Junction box:** 2 1/2" (64mm) x 5 3/8" (137mm) x 2" (51mm) #21 ga. (.032") thick galvanized steel, cULus listed 90 degrees C rated supply conductors. Rated for branch circuit wiring supplying connected luminaires (daisy chaining).
- Mounting bars:** #16 ga. (.059") thick galvanized steel. Bars pivot for easy attachment and wire in from below the ceiling line. Bars can extend to accommodate 16" (406mm) to 24" (610mm) O.C. joist spacing. Bars can accommodate 12" (305mm) O.C. joist spacing after slight field modification (see instruction sheet). Features integral self-tapping screw phillips/square drive for attachment to wood or metal construction. Also available with integral nails (N). Attaches to T-bar ceilings without accessories. Bars installed on shortest dimension of frame can be easily rotated 90° from original position.
- Electronic dimming driver:** Class 2 electronic LED Driver, with less than 1 second start up, RoHS compliant, suitable for damp locations. 120v 50/06Hz >.9 power factor. Sound rating Class "A" (<24dB). Complies with FCC,CFR title 47 part 15 Class B for EMI/RFI. Dimmable with standard electronic low voltage (ELV) & Triac dimmers. Dims to less than or equal to 10% of relative high output. 5 year limited warranty.
- Ceiling cutout:** 3 3/4" diameter.

Electrical

Input voltage 120v, Input freq.: 50/60 hZ, Input current .25 amps, Input Power 12W, Power factor >.9

Warranty

5 year limited warranty. (visit philips.com/warranties for details)

Labels

cULus type IC listed suitable for damp location. AirSeal.

This product complies with the requirements of the California Energy Commission regulated under Title 24, and has been listed in the Title 20 database.

Energy Star

Product family has Energy Star certification with the following exceptions:

- All 90 CRI options
- All 2700 CRI options

Title 24

Product family has Title 24 certification with the following exception:

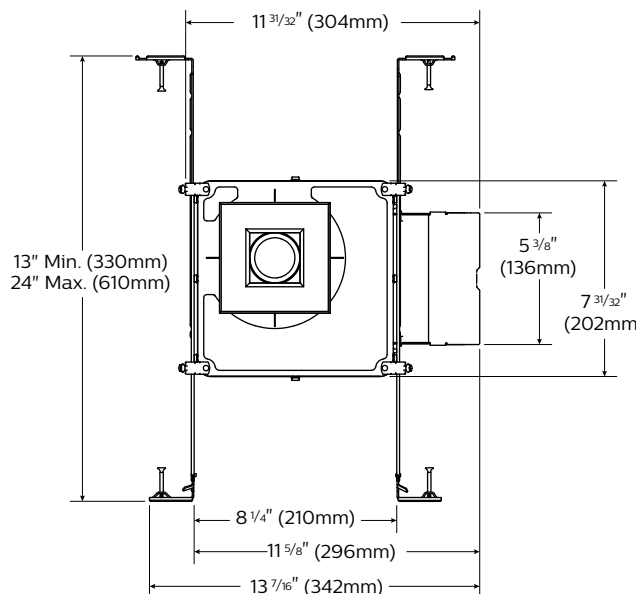
- All 80 CRI options

L3SAD LyteCaster LED 3" Accent

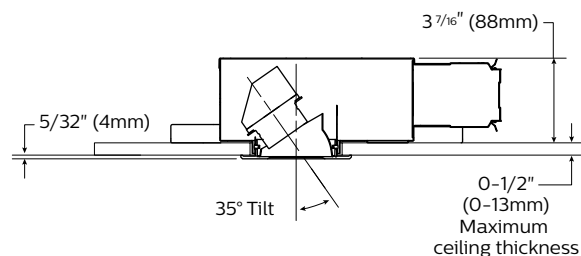
Square Adjustable

L3NZ10V New construction non IC 0-10V frame-in kit

Bottom view

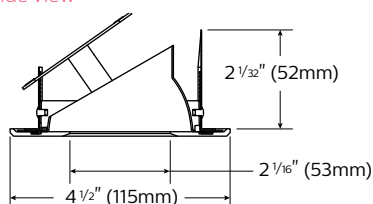


Side view

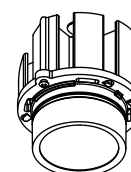


Square trim

Side view



Light engine



Features

- 1. Non-IC housing:** #23 ga. (.026") thick Galvanized steel. cULus listed for damp locations. AirSeal housing minimizes air leakage to less than 2CFM at 1.57 PSF (or 75PA), complies with Title 24, International Energy Conservation Code, and Washington State Energy Code (section 502.4) Frame provided with internal access door for inspection of junction box.
- 2. Lower frame and top cover:** #23 ga. (.026 ") thick Galvanized steel. Accommodates ceilings up to 1" (25.4 mm) thick. Bottom cover provided with a .5" (6.2mm) lip and 4 embossed indicator lines to simplify alignment during installation. Housing can be locked into position on the mounting bars with locking screws.
- 3. Junction box:** 2 1/2" (64mm) x 5 3/8" (137mm) x 2" (51mm) #21 ga. (.032") thick galvanized steel, cULus listed 90 degrees C rated supply conductors. Rated for branch circuit wiring supplying connected luminaires (daisy chaining).
- 4. Mounting bars:** #16 ga. (.059") thick galvanized steel. Bars pivot for easy attachment and wire in from below the ceiling line. Bars can extend to accommodate 16" (406mm) to 24" (610mm) O.C. joist spacing. Bars can accommodate 12" (305mm) O.C. joist spacing after slight field modification. (see instruction sheet) Features integral self-tapping screw phillips/square drive screws for attachment to wood or metal construction. Attaches to T-bar ceilings without accessories. Bars installed on shortest dimension of frame can be easily rotated 90° from original position.
- 5. Electronic dimming driver:** Class 2 electronic LED driver, RoHS compliant, suitable for damp location. 120/277v 50/06Hz >.9 power factor. MTP (module thermal protection) current cutback up to 10% to prevent overheating. Sound rating Class "A" (<24dB). Complies with FCC, CFR title 47 part 15 Class A for EMI/RFI. Dimming Protocol (0-10v). Dims to less than or equal to 10% of relative high output.
- 6. Ceiling cutout:** 3 3/4" diameter.

Electrical

Input voltage: 120/277, input freq.:50/60Hz. Input current .14A/.06A Input Power 16.4W, Power factor >.9

Warranty

5 year limited warranty. (visit philips.com/warranties for details)

Labels

cULus listed suitable for damp location. AirSeal. Inherently Protected. IP rated.

This product complies with the requirements of the California Energy Commission regulated under Title 24, and has been listed in the Title 20 database. For 120V only.

Energy Star

Product family has Energy Star certification with the following exceptions:

- All 90 CRI options
- All 2700 CRI options

Title 24

Product family has Title 24 certification with the following exception:

- All 80 CRI options

L3SAD LyteCaster LED 3" Accent

Square Adjustable

Electrical Specifications

| Frame-in kit | Input volts | Input freq. | Input current | LED drive current | Input power | LED power | THD factor | Power factor |
|--------------|-------------|-------------|---------------|-------------------|-------------|-----------|------------|--------------|
| L3AE1 | 120V | 50/60Hz | .090 A | 260 ma | 10.64 W | 8.76 W | <20% | > .9 |
| L3ANE1 | 120V | 50/60Hz | .090 A | 260 ma | 10.64 W | 8.76 W | <20% | > .9 |
| L3CE1 | 120V | 50/60Hz | .090 A | 260 ma | 10.64 W | 8.76 W | <20% | > .9 |
| L3NZ10U | 120V | 50/60Hz | .102 A | 260 ma | 11.8 W | 9.74 W | <10% | > .8 |
| | 277V | 50/60Hz | .047 A | 260 ma | 11.8 W | 8.90 W | <10% | > .8 |

Adjustment factors

Color temperature (CCT)

| |
|--------------|
| 2700K = 88% |
| 3000K = 96% |
| 3500K = 100% |

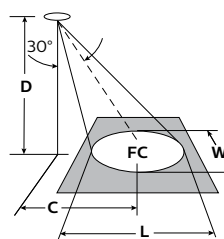
Color Rendering Index (CRI)

| |
|------------------------------|
| 80 = 100% |
| 90 = 85% |
| 90 (CW) Crisp White = 78% |

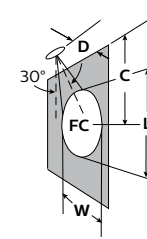
Finish

| |
|--------------------------|
| White Baffle (BW) = 100% |
| White Cone (DW) = 100% |
| Diffuse (DD) = 100% |
| Chrome (DC) = 102% |

30° Horizontal Aiming

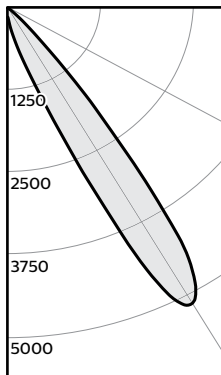


30° Vertical Aiming



Beam spread: Spot

Candela Curves



Frame: L3NZ10U

Light engine: L308835S

Trim: L3SADA

Report no³: 554GFR

| | |
|----------------------|--------------------------|
| Output lumens: 703lm | Efficacy: 59.6lm/W |
| Input Watts: 11.8W | CCT ² : 3500K |
| Beam angle: 16° | CRI: ≥80 |
| Center beam: 5121cd | |

30° Horizontal Aiming

| Dist. (D) | Dist. (C) | F.C. (FC) | Beam Length (L) | Beam Width (W) |
|-----------|-----------|-----------|-----------------|----------------|
| 6 | 3.5 | 92 | 2.3 | 1.9 |
| 8 | 4.6 | 52 | 3.0 | 2.6 |
| 10 | 5.8 | 33 | 3.8 | 3.2 |
| 12 | 6.9 | 23 | 4.5 | 3.9 |

30° Vertical Aiming

| Dist. (D) | Dist. (C) | F.C. (FC) | Beam Length (L) | Beam Width (W) |
|-----------|-----------|-----------|-----------------|----------------|
| 2 | 3.5 | 160 | 2.4 | 1.1 |
| 3 | 5.2 | 71 | 3.6 | 1.7 |
| 4 | 6.9 | 40 | 4.8 | 2.2 |
| 5 | 8.7 | 26 | 6.0 | 2.8 |

1. Wattage: controlled to within ± 10%

2. Correlated Color Temperature: within specs as defined in ANSI_NEMA_ANSI C78.377-2008: Specifications for the Chromaticity of Solid State Lighting Products.

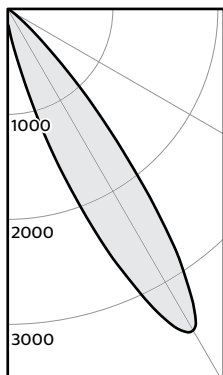
3. Tested using absolute photometry as specified in LM79: IESNA Approved Method for the Electrical and Photometric Measurements of Solid-State Lighting Products.

L3SAD LyteCaster LED 3" Accent

Square Adjustable

Beam spread: Narrow flood

Candela Curves



Frame: L3NZ10U
Light engine: L308835NF
Trim: L3SADA Report no³: 548GFR

Output lumens: 681lm Efficacy: 57.7lm/W
Input Watts¹: 11.8W CCT²: 3500K
Beam angle: 20° CRI: ≥80
Center beam: 3529cd

30° Horizontal Aiming

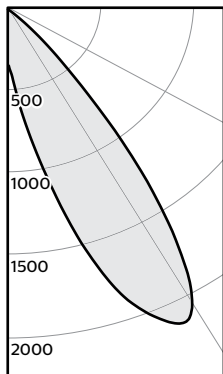
| Dist. (D) | Dist. (C) | F.C. (FC) | Beam Length (L) | Beam Width (W) |
|-----------|-----------|-----------|-----------------|----------------|
| 6 | 3.5 | 64 | 2.9 | 2.4 |
| 8 | 4.6 | 36 | 3.8 | 3.3 |
| 10 | 5.8 | 23 | 4.8 | 4.1 |
| 12 | 6.9 | 16 | 5.7 | 4.9 |

30° Vertical Aiming

| Dist. (D) | Dist. (C) | F.C. (FC) | Beam Length (L) | Beam Width (W) |
|-----------|-----------|-----------|-----------------|----------------|
| 2 | 3.5 | 110 | 3.1 | 1.4 |
| 3 | 5.2 | 49 | 4.7 | 2.1 |
| 4 | 6.9 | 28 | 6.2 | 2.8 |
| 5 | 8.7 | 18 | 7.8 | 3.5 |

Beam spread: Flood

Candela Curves



Frame: L3NZ10U
Light engine: L308835F
Trim: L3SADA Report no³: 553GFR

Output lumens: 697lm Efficacy: 59.0lm/W
Input Watts¹: 11.8W CCT²: 3500K
Beam angle: 27° CRI: ≥80
Center beam: 2127cd

30° Horizontal Aiming

| Dist. (D) | Dist. (C) | F.C. (FC) | Beam Length (L) | Beam Width (W) |
|-----------|-----------|-----------|-----------------|----------------|
| 6 | 3.5 | 38 | 3.9 | 3.3 |
| 8 | 4.6 | 22 | 5.2 | 4.4 |
| 10 | 5.8 | 14 | 6.5 | 5.5 |
| 12 | 6.9 | 10 | 7.8 | 6.7 |

30° Vertical Aiming

| Dist. (D) | Dist. (C) | F.C. (FC) | Beam Length (L) | Beam Width (W) |
|-----------|-----------|-----------|-----------------|----------------|
| 2 | 3.5 | 66 | 4.6 | 1.9 |
| 3 | 5.2 | 30 | 7.0 | 2.9 |
| 4 | 6.9 | 17 | 9.3 | 3.8 |
| 5 | 8.7 | 11 | 11.6 | 4.8 |

1. Wattage: controlled to within ± 10%
2. Correlated Color Temperature: within specs as defined in ANSI_NEMA_ANSI C78.377-2008: Specifications for the Chromaticity of Solid State Lighting Products.
3. Tested using absolute photometry as specified in LM79: IESNA Approved Method for the Electrical and Photometric Measurements of Solid-State Lighting Products.

