



Lightolier LyteCaster LED Accent wall wash features a 3.5" luminaire height that conserves plenum space without compromising performance. The modular and interchangeable light engine allows for an easy future upgrade. The accent wall wash is wet location listed and comes in 3 standard finish options.

Project: _____
 Location: _____
 Cat.No: _____
 Type: _____
 Lamps: _____ Qty: _____
 Notes: _____

Complete product = Frame-in kit + Light engine + Trim Order each separately

Ordering guide: Frame-In kit

Example: L3AE1

Series	Frame type	Dimming	Input voltage
L3			
L3 LyteCaster 3" Accent	A AirSeal IC, New Construction, Screw AN AirSeal IC, New Construction, Nail C Remodeler Non-IC	E ELV/Triac dimming	1 120V
	N New Construction Non-IC	Z10 0-10V	U Universal (120-277V)

Ordering guide: Light engine

Example: L308830NF

Series	Lumens	CRI	CCT	Beam	Option
L3	08				
L3 LyteCaster 3" Accent	08 800	8 80	27 2700K 30 3000K 35 3500K	NF Narrow flood F Flood	
		9 90	27 2700K 30 3000K ¹	NF Narrow flood F Flood	CW CrispWhite ¹

Ordering guide: Round trim

Example: L3RLWD

Series	Shape	Luminaire type	Finish	Flange
L3	R	LW		
L3 LyteCaster 3" Accent	R Round	LW Wall wash	C Chrome D Diffuse W White	blank White

1. 3000K and CrispWhite must be ordered together.

L3RLW LyteCaster LED 3" Accent

Round Wall Wash

Assembled configuration:

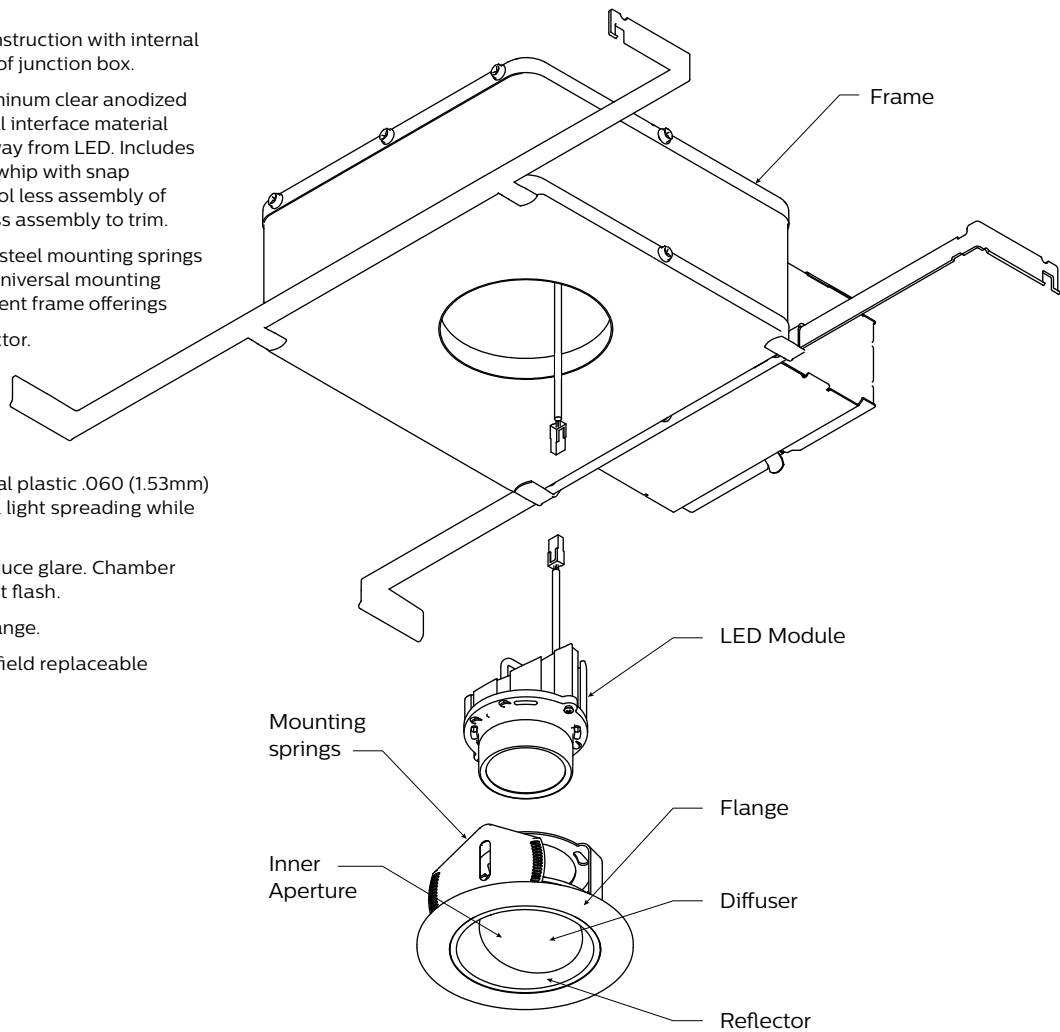
1. Frame Galvanized steel construction with internal access door for inspection of junction box.
2. LED Module Extruded Aluminum clear anodized finish heat sink with thermal interface material efficiently transfers heat away from LED. Includes strain relieved low voltage whip with snap interconnector for quick, tool less assembly of power connection. Tool-less assembly to trim.
3. Mounting springs stainless steel mounting springs min 0.013" thick provide a universal mounting solution between the different frame offerings
4. Reflector: Aluminum Reflector.

5. Diffuser: Translucent thermal plastic .060 (1.53mm) thick. Provides exceptional light spreading while hiding led image in lens.

6. Inner Aperture: Black to reduce glare. Chamber aperture reduces edge light flash.

7. Die Cast Aluminum Trim Flange.

Note: LED module allows for field replaceable optics. Order separately.

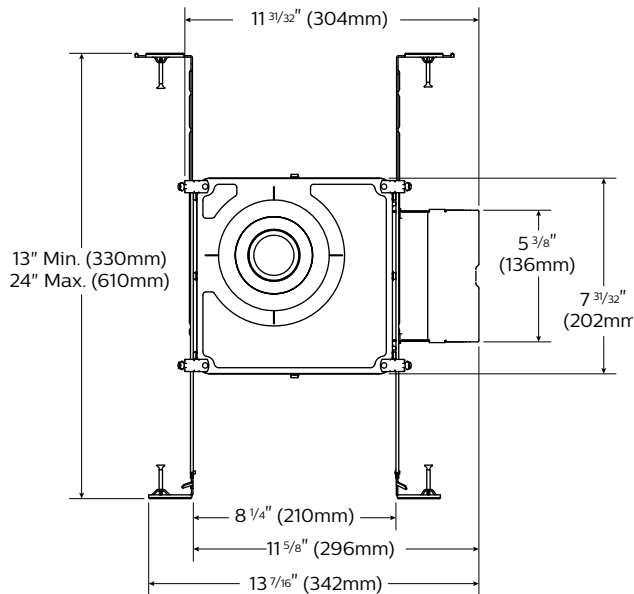


L3RLW LyteCaster LED 3" Accent

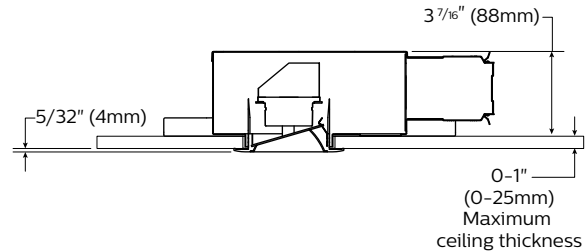
Round Wall Wash

L3AE1 & L3ANE1 new construction in IC AirSeal frame-in kits

Bottom view

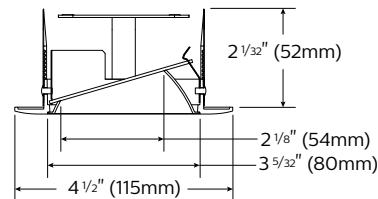


Side view

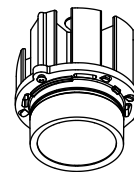


Round trim

Side view



Light engine



Features

- Housing:** #23 ga. (.026") thick Galvanized steel. cULus listed for direct contact with thermal insulation (IC rated). AirSeal housing minimizes air leakage to less than 2 CFM at 1.57PSF (or 75PA), which complies with Title 24, the International Energy Conservation Code, and Washington State Energy Code (Section 502.4). This helps to reduce heat loss and condensation in ceiling. Internal access door for inspection of junction box.
- Lower frame and top cover:** #23 ga. (.026") thick Galvanized steel. Accommodates ceilings up to 1" (25.4 mm) thick. Bottom cover provided with a .5" (6.2mm) lip and 4 embossed indicator lines to simplify alignment during installation. Housing can be locked into position on the mounting bars with locking screws.
- Junction box:** 2 1/2" (64mm) x 5 3/8" (137mm) x 2" (51mm) #21 ga. (.032") thick galvanized steel, cULus listed 90 degrees C rated supply conductors. Rated for branch circuit wiring supplying connected luminaires (daisy chaining).
- Mounting bars:** #16 ga. (.059") thick galvanized steel. Bars pivot for easy attachment and wire in from below the ceiling line. Bars can extend to accommodate 16" (406mm) to 24" (610mm) O.C. joist spacing. Bars can accommodate 12" (305mm) O.C. joist spacing after slight field modification (see instruction sheet). Features integral self-tapping screw phillips/square drive for attachment to wood or metal construction. Also available with integral nails (N). Attaches to T-bar ceilings without accessories. Bars installed on shortest dimension of frame can be easily rotated 90° from original position.
- Electronic dimming driver:** Class 2 electronic LED Driver, with less than 1 second start up, RoHS compliant, suitable for damp locations. 120v 50/06Hz >.9 power factor. Sound rating Class "A" (<24dB). Complies with FCC,CFR title 47 part 15 Class B for EMI/RFI. Dimmable with standard electronic low voltage (ELV) & Triac dimmers. Dims to less than or equal to 10% of relative high output. 5 year limited warranty.
- Ceiling cutout:** 3 3/4" diameter.

Electrical

Input voltage 120v, Input freq.: 50/60 hz, Input current .25 amps, Input Power 12W, Power factor >.9

Warranty

5 year limited warranty. (visit philips.com/warranties for details)

Labels

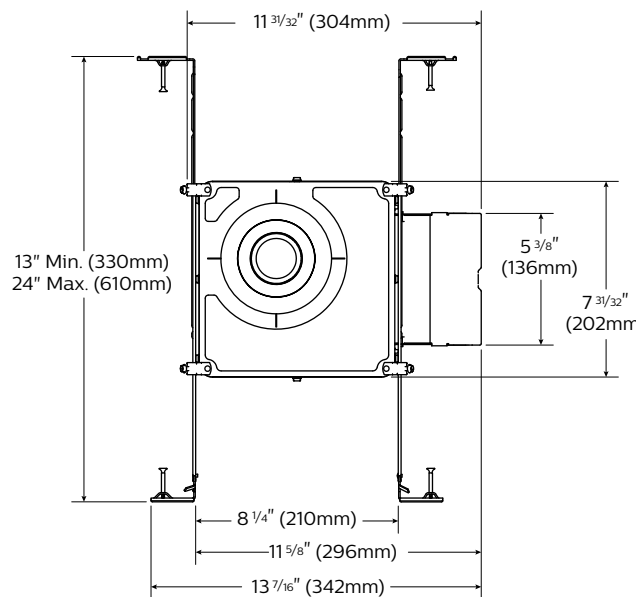
cULus type IC listed suitable for wet location. AirSeal.

L3RLW LyteCaster LED 3" Accent

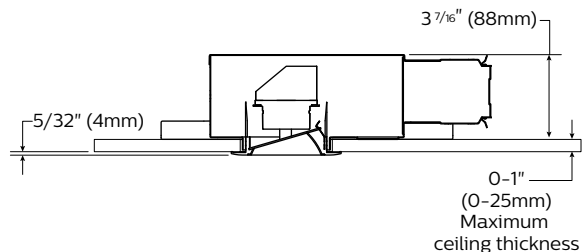
Round Wall Wash

L3NZ10V New construction non IC 0-10V frame-in kit

Bottom view

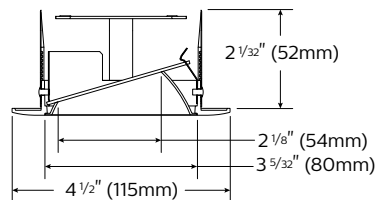


Side view

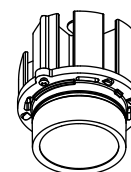


Round trim

Side view



Light engine



Features

- 1. Non-IC housing:** #23 ga. (.026") thick Galvanized steel. cULus listed for damp locations. AirSeal housing minimizes air leakage to less than 2CFM at 1.57 PSF (or 75PA), complies with Title 24, International Energy Conservation Code, and Washington State Energy Code (section 502.4) Frame provided with internal access door for inspection of junction box.
- 2. Lower frame and top cover:** #23 ga. (.026") thick Galvanized steel. Accommodates ceilings up to 1" (25.4 mm) thick. Bottom cover provided with a .5" (6.2mm) lip and 4 embossed indicator lines to simplify alignment during installation. Housing can be locked into position on the mounting bars with locking screws.
- 3. Junction box:** 2 1/2" (64mm) x 5 3/8" (137mm) x 2" (51mm) #21 ga. (.032") thick galvanized steel, cULus listed 90 degrees C rated supply conductors. Rated for branch circuit wiring supplying connected luminaires (daisy chaining).
- 4. Mounting bars:** #16 ga. (.059") thick galvanized steel. Bars pivot for easy attachment and wire in from below the ceiling line. Bars can extend to accommodate 16" (406mm) to 24" (610mm) O.C. joist spacing. Bars can accommodate 12" (305mm) O.C. joist spacing after slight field modification. (see instruction sheet) Features integral self-tapping screw phillips/square drive screws for attachment to wood or metal construction. Attaches to T-bar ceilings without accessories. Bars installed on shortest dimension of frame can be easily rotated 90° from original position.
- 5. Electronic dimming driver:** Class 2 electronic LED driver, RoHS compliant, suitable for damp location. 120/277v 50/06Hz >.9 power factor. MTP (module thermal protection) current cutback up to 10% to prevent overheating. Sound rating Class "A" (<24dB). Complies with FCC, CFR title 47 part 15 Class A for EMI/RFI. Dimming Protocol (0-10v). Dims to less than or equal to 10% of relative high output.
- 6. Ceiling cutout:** 3 3/4" diameter.

Electrical

Input voltage: 120/277, input freq.:50/60Hz. Input current .14A/.06A Input Power 16.4W, Power factor >.9

Warranty

5 year limited warranty. (visit philips.com/warranties for details)

Labels

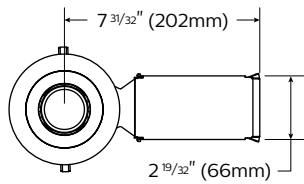
cULus listed suitable for wet location. AirSeal. Inherently Protected. IP rated.

L3RLW LyteCaster LED 3" Accent

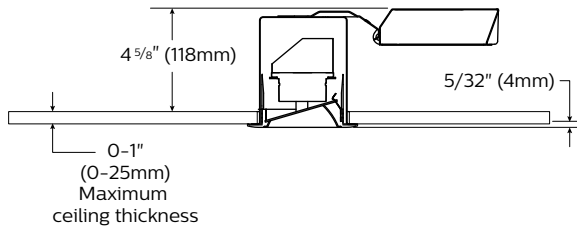
Round Wall Wash

L3CE1 Non-IC Remodeler kit

Bottom view

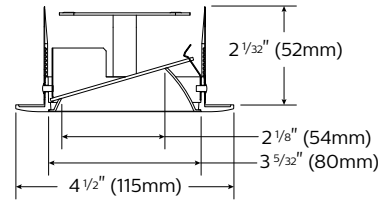


Side view

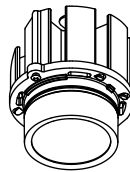


Round trim

Side view



Light engine



Features

- 1. Non-IC housing:** #25 ga. (.025") thick Galvanized steel. Provided with 2 plates steel retaining springs that can accommodate ceiling thickness up to 1" (25.4mm) thick. Philips screw driver required to tighten springs that secure housing to ceiling.
- 2. Junction box:** #22 ga. (.034") thick Galvanized steel. cULus, suitable for damp locations. Junction box assembly swivels for tight plenum spaces. Snap off cover permits wiring access.
- 3. Electronic dimming driver** (same as new construction): Class 2 electronic LED Driver, with less than 1 second start up, RoHS compliant, suitable for damp locations. 120v 50/06Hz >.9 power factor. Sound rating Class "A" (<24dB). Complies with FCC, CFR title 47 part 15 Class B for EMI/RFI. Dimmable with standard electronic low voltage (ELV) & Triac dimmers. Dims to less than or equal to 10% of relative high output. 5 year limited warranty.
- 4. Trim compatibility:** Not compatible with adjustable trims except for L3RG series Gimbals.
- 5. Ceiling cutout** 3 3/4" diameter.

Electrical

Input voltage 120v, Input freq.: 50/60 hZ, Input current .25 amps, Input Power 12W, Power factor >.9

Warranty

5 year limited warranty. (visit philips.com/warranties for details)

Labels

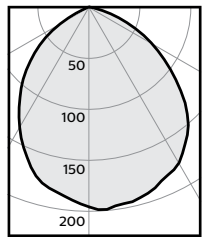
cULus listed suitable for wet location, inherently protected (IP rated).

L3RLW LyteCaster LED 3" Accent

Round Wall Wash

Beam spread: Narrow flood

Candela Curve



Frame: L3NZ10U
Light engine: L308835NF
Trim: L3RLWD

Output lumens:	427lms
Input Watts:	11.8W
Efficacy:	36.2lm/W
CCT:	3500K
CRI:	>80

Report no³: 533GFR

Multiple unit data

Foot-candles on wall	2' from wall			
	3' on center			
1	12	8	12	
2	16	14	16	
3	12	12	12	
4	9	9	9	
5	7	7	7	
6	5	5	5	
7	4	4	4	
8	3	3	3	
9	3	3	3	
10	2	2	2	
12	2	2	2	
14	2	2	2	

Multiple unit data

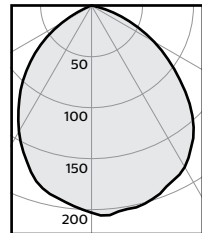
Foot-candles on wall	3' from wall			
	3' on center			
1	4	3	4	
2	9	9	9	
3	10	10	10	
4	9	9	9	
5	8	7	8	
6	6	6	6	
7	5	5	5	
8	4	4	4	
9	4	4	4	
10	3	3	3	
12	2	2	2	
14	2	2	2	

Multiple unit data (shown above)

Foot-candles on wall	3' from wall			
	4' on center			
1	3	2	3	
2	7	6	7	
3	8	7	8	
4	7	7	7	
5	6	6	6	
6	5	5	5	
7	4	4	4	
8	3	3	3	
9	3	3	3	
10	2	2	2	
12	2	2	2	
14	2	2	2	

Beam spread: Flood

Candela Curve



Frame: L3NZ10U
Light engine: L308835F
Trim: L3RLWD

Output lumens:	441lms
Input Watts:	11.8W
Efficacy:	37.3lm/W
CCT:	3500K
CRI:	>80

Report no³: F34252

Multiple unit data

Foot-candles on wall	2' from wall			
	3' on center			
1	12	8	12	
2	16	14	16	
3	13	12	13	
4	9	9	9	
5	7	7	7	
6	5	5	5	
7	4	4	4	
8	3	3	3	
9	3	3	3	
10	2	2	2	
12	2	2	2	
14	2	2	2	

Multiple unit data

Foot-candles on wall	3' from wall			
	3' on center			
1	4	3	4	
2	9	9	9	
3	10	10	10	
4	9	9	9	
5	8	8	8	
6	6	6	6	
7	5	5	5	
8	4	4	4	
9	4	4	4	
10	3	3	3	
12	2	2	2	
14	2	2	2	

Multiple unit data (shown above)

Foot-candles on wall	3' from wall			
	4' on center			
1	3	2	3	
2	7	6	7	
3	8	8	8	
4	7	7	7	
5	6	6	6	
6	5	5	5	
7	4	4	4	
8	3	3	3	
9	3	3	3	
10	2	3	2	
12	2	2	2	
14	2	2	2	

