



Lightolier LyteCaster LED Accent pinhole features a 3.5" luminaire height that conserves plenum space without compromising the 35° of angular tilt. The modular and interchangeable light engine allows for an easy future upgrade. The accent pinhole is damp location listed and comes in 2 standard finish options.

Project: \_\_\_\_\_  
 Location: \_\_\_\_\_  
 Cat.No: \_\_\_\_\_  
 Type: \_\_\_\_\_  
 Lamps: \_\_\_\_\_ Qty: \_\_\_\_\_  
 Notes: \_\_\_\_\_

### Complete product = Frame-in kit + Light engine + Trim Order each separately

#### Ordering guide: Frame-In kit

Example: L3AE1

Series	Frame type	Dimming	Input voltage
<b>L3</b>			
L3 LyteCaster 3" Accent	<b>A</b> AirSeal IC, New Construction, Screw <b>AN</b> AirSeal IC, New Construction, Nail <b>C</b> Remodler	<b>E</b> ELV/Triac dimming	<b>1</b> 120V
	<b>N</b> New Construction Non-IC	<b>Z10</b> 0-10V	<b>U</b> Universal (120-277V)

#### Ordering guide: Light engine

Example: L308830NF

Series	Lumens	CRI	CCT	Beam	Option
<b>L3</b>	<b>08</b>				
L3 LyteCaster 3" Accent	08 800	<b>8</b> 80	<b>27</b> 2700K <b>30</b> 3000K <b>35</b> 3500K	<b>S</b> Spot, 17° <b>NF</b> Narrow flood, 22° <b>F</b> Flood, 29°	
		<b>9</b> 90	<b>27</b> 2700K <b>30</b> 3000K <sup>1</sup>	<b>S</b> Spot, 17° <b>NF</b> Narrow flood, 22° <b>F</b> Flood, 29°	<b>CW</b> CrispWhite <sup>1</sup>

#### Ordering guide: Round trim

Example: L3RAPAPW

Series	Shape	Luminaire type	Finish (Flange/Baffle)
<b>L3</b>	<b>R</b>	<b>AP</b>	
L3 LyteCaster 3" Accent	<b>R</b> Round	<b>AP</b> Adjustable pinhole	<b>W</b> White <b>A</b> Aluminum

1. 3000K and CrispWhite must be ordered together.



# L3RAP LyteCaster LED 3" Accent

## Round Pinhole

### Ordering guide: Accessories

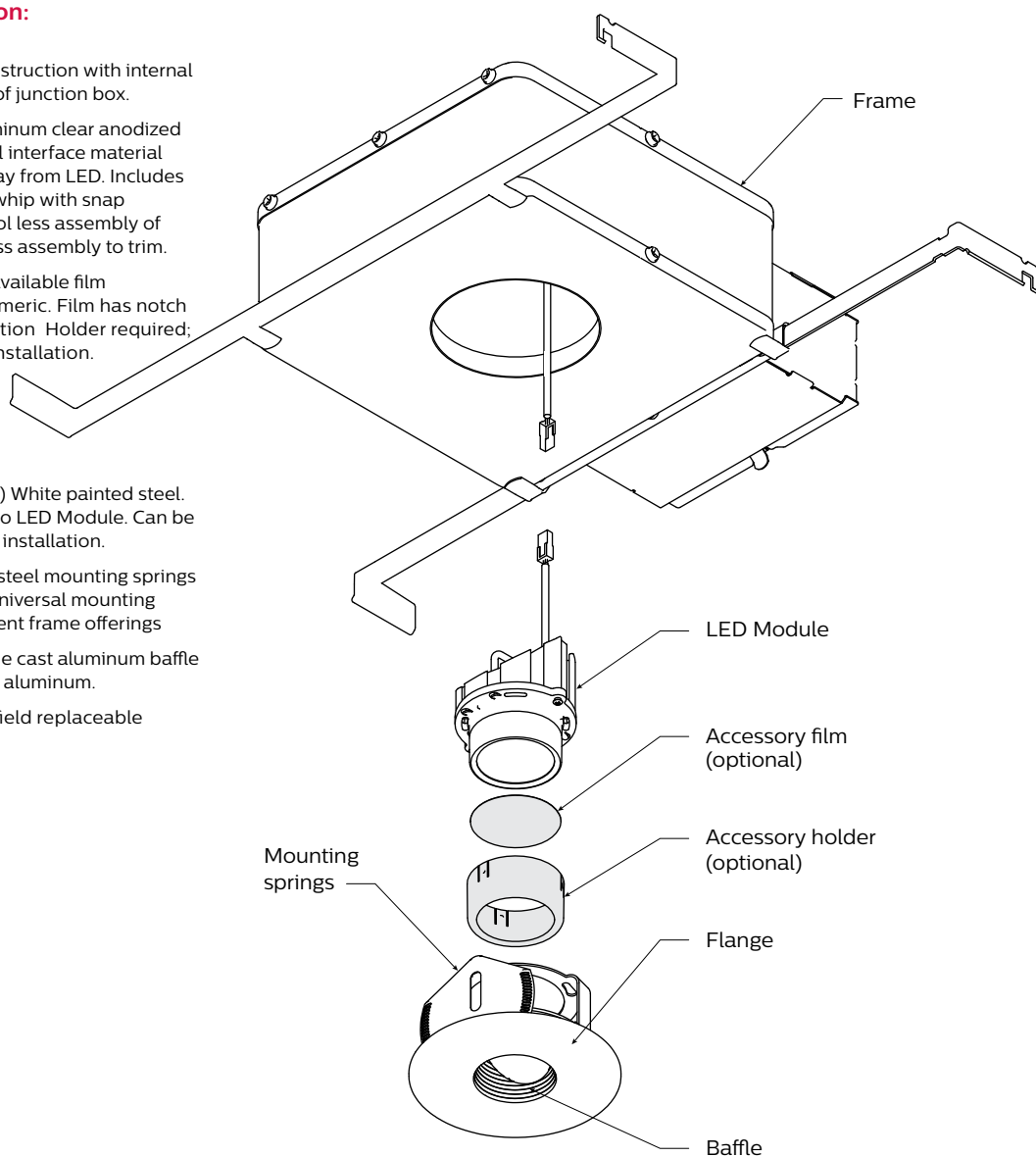
Series	Type	Beam	Finish
<b>L3</b>	<input type="checkbox"/>	<input type="checkbox"/>	<input type="checkbox"/>
L3 LyteCaster 3.75" Accent	<b>AH</b> Accessory holder		<b>W</b> White <b>B</b> Black
	<b>LS</b> Linear lens spread film <sup>2</sup> <b>SD</b> 5° soft diffusion film <sup>2</sup>		
	<b>RP</b> Replacement Optic	<b>S</b> Spot <b>NF</b> Narrow flood <b>F</b> Flood	

2. Accessory holder required.

### Assembled configuration:

1. Frame Galvanized steel construction with internal access door for inspection of junction box.
2. LED Module Extruded Aluminum clear anodized finish heat sink with thermal interface material efficiently transfers heat away from LED. Includes strain relieved low voltage whip with snap interconnector for quick, tool less assembly of power connection. Tool-less assembly to trim.
3. Accessory Film (Optional) Available film accessories: .010 thick polymeric. Film has notch to assist with beam orientation Holder required; only one film allowed per installation.
4. Accessory Holder (Optional) White painted steel. Accessory holder snaps onto LED Module. Can be installed before or after trim installation.
5. Mounting springs stainless steel mounting springs min 0.013" thick provide a universal mounting solution between the different frame offerings
6. Flange/Baffle: One piece die cast aluminum baffle and flange painted white or aluminum.

Note: LED module allows for field replaceable optics. Order separately.

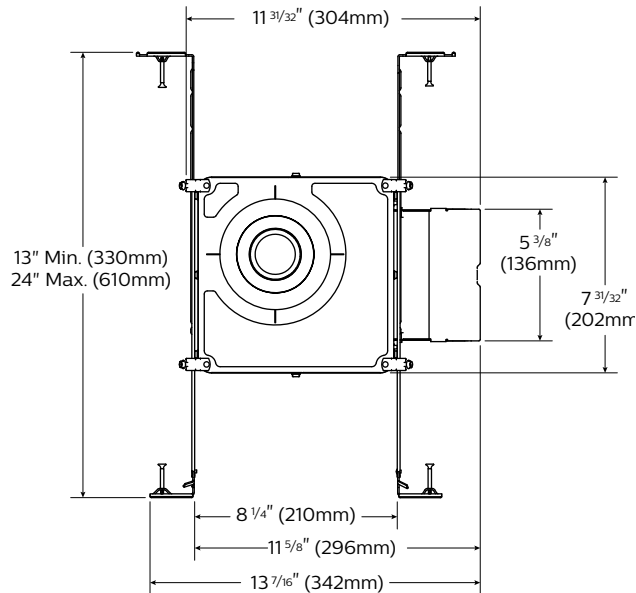


# L3RAP LyteCaster LED 3" Accent

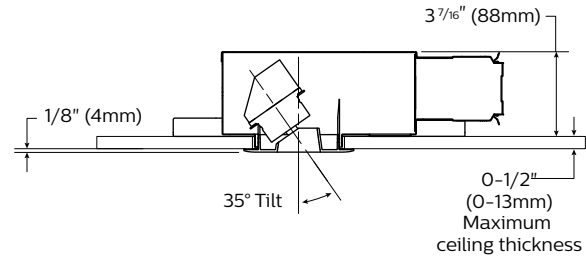
## Round Pinhole

### L3AE1 & L3ANE1 new construction in IC AirSeal frame-in kits

Bottom view

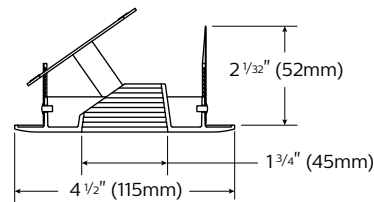


Side view

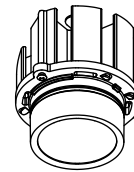


### Round trim

Side view



### Light engine



## Features

- Housing:** #23 ga. (.026") thick Galvanized steel. cULus listed for direct contact with thermal insulation (IC rated). AirSeal housing minimizes air leakage to less than 2 CFM at 1.57PSF (or 75PA), which complies with Title 24, the International Energy Conservation Code, and Washington State Energy Code (Section 502.4). This helps to reduce heat loss and condensation in ceiling. Internal access door for inspection of junction box.
- Lower frame and top cover:** #23 ga. (.026") thick Galvanized steel. Accommodates ceilings up to 1" (25.4 mm) thick. Bottom cover provided with a .5" (6.2mm) lip and 4 embossed indicator lines to simplify alignment during installation. Housing can be locked into position on the mounting bars with locking screws.
- Junction box:** 2 1/2" (64mm) x 5 3/8" (137mm) x 2" (51mm) #21 ga. (.032") thick galvanized steel, cULus listed 90 degrees C rated supply conductors. Rated for branch circuit wiring supplying connected luminaires (daisy chaining).
- Mounting bars:** #16 ga. (.059") thick galvanized steel. Bars pivot for easy attachment and wire in from below the ceiling line. Bars can extend to accommodate 16" (406mm) to 24" (610mm) O.C. joist spacing. Bars can accommodate 12" (305mm) O.C. joist spacing after slight field modification (see instruction sheet). Features integral self-tapping screw phillips/square drive for attachment to wood or metal construction. Also available with integral nails (N). Attaches to T-bar ceilings without accessories. Bars installed on shortest dimension of frame can be easily rotated 90° from original position.
- Electronic dimming driver:** Class 2 electronic LED Driver, with less than 1 second start up, RoHS compliant, suitable for damp locations. 120v 50/06Hz >.9 power factor. Sound rating Class "A" (<24dB). Complies with FCC,CFR title 47 part 15 Class B for EMI/RFI. Dimmable with standard electronic low voltage (ELV) & Triac dimmers. Dims to less than or equal to 10% of relative high output. 5 year limited warranty.
- Ceiling cutout:** 3 3/4" diameter.

## Electrical

Input voltage 120v, Input freq.: 50/60 hz, Input current .25 amps, Input Power 12W, Power factor >.9

## Warranty

5 year limited warranty. (visit [philips.com/warranties](http://philips.com/warranties) for details)

## Labels

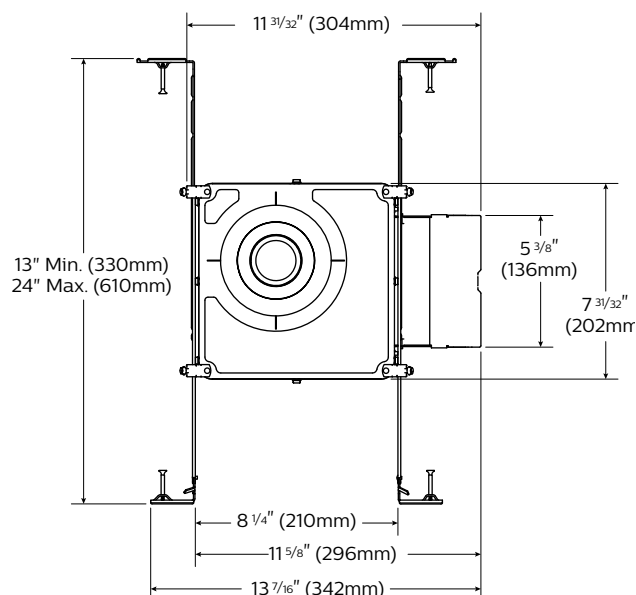
cULus type IC listed suitable for damp location. AirSeal.

# L3RAP LyteCaster LED 3" Accent

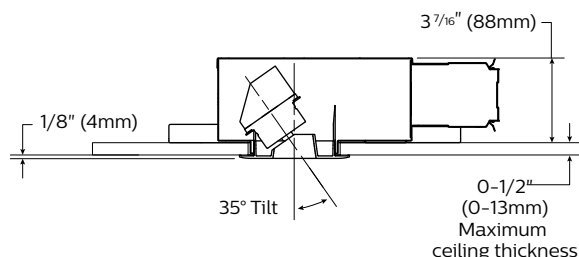
## Round Pinhole

### L3NZ10V New construction non IC 0-10V frame-in kit

Bottom view

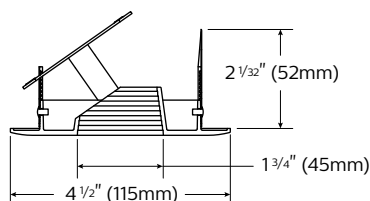


Side view

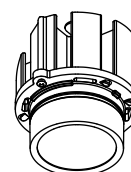


### Round trim

Side view



### Light engine



## Features

- 1. Non-IC housing:** #23 ga. (.026") thick Galvanized steel. cULus listed for damp locations. AirSeal housing minimizes air leakage to less than 2CFM at 1.57 PSF (or 75PA), complies with Title 24, International Energy Conservation Code, and Washington State Energy Code (section 502.4) Frame provided with internal access door for inspection of junction box.
- 2. Lower frame and top cover:** #23 ga. (.026 ") thick Galvanized steel. Accommodates ceilings up to 1" (25.4 mm) thick. Bottom cover provided with a .5" (6.2mm) lip and 4 embossed indicator lines to simplify alignment during installation. Housing can be locked into position on the mounting bars with locking screws.
- 3. Junction box:** 2 1/2" (64mm) x 5 3/8" (137mm) x 2" (51mm) #21 ga. (.032") thick galvanized steel, cULus listed 90 degrees C rated supply conductors. Rated for branch circuit wiring supplying connected luminaires (daisy chaining).
- 4. Mounting bars:** #16 ga. (.059") thick galvanized steel. Bars pivot for easy attachment and wire in from below the ceiling line. Bars can extend to accommodate 16" (406mm) x 24" (610mm) O.C. joist spacing. Bars can accommodate 12" (305mm) O.C. joist spacing after slight field modification. (see instruction sheet) Features integral self-tapping screw phillips/square drive screws for attachment to wood or metal construction. Attaches to T-bar ceilings without accessories. Bars installed on shortest dimension of frame can be easily rotated 90° from original position.
- 5. Electronic dimming driver:** Class 2 electronic LED driver, RoHS compliant, suitable for damp location. 120/277v 50/06Hz >.9 power factor. MTP (module thermal protection) current cutback up to 10% to prevent overheating. Sound rating Class "A" (<24dB). Complies with FCC, CFR title 47 part 15 Class A for EMI/RFI. Dimming Protocol (0-10v). Dims to less than or equal to 10% of relative high output.
- 6. Ceiling cutout:** 3 3/4" diameter.

## Electrical

Input voltage: 120/277, input freq.:50/60hZ. Input current .14A/.06A Input Power 16.4W, Power factor >.9

## Warranty

5 year limited warranty. (visit [philips.com/warranties](http://philips.com/warranties) for details)

## Labels

cULus listed suitable for damp location. AirSeal. Inherently Protected. IP rated.

# L3RAP LyteCaster LED 3" Accent

## Round Pinhole

### Adjustment factors

#### Color temperature (CCT)

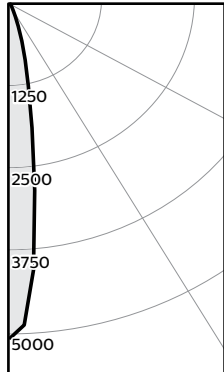
2700K = 88%
3000K = 96%
3500K = 100%

#### Color Rendering Index (CRI)

80 = 100%
90 = 85%
90 (CW) Crisp White = 78%

### Beam spread: Spot

#### Candela Curves



Angle	Mean CP	Lumens
0	5071	
5	4056	312
10	1907	
15	878	253
20	357	
25	112	64
30	48	
35	23	16
40	16	
45	14	11
50	12	
55	11	10
60	10	
65	9	9
70	7	
75	5	6
80	3	
85	2	2
90	0	

Frame: L3NZ10U  
Light engine: L308835S  
Trim: L3RAPW

Report no<sup>3</sup>: 547GFR

Output lumens: 663lm	Efficacy: 56.9lm/W
Input Watts <sup>1</sup> : 11.8W	CCT <sup>2</sup> : 3000K
Beam angle: 17°	CRI: ≥80
Spacing Criterion: 0.3	

#### Single unit data

Height to Lighted Plane	Initial Center Beam Foot-Candles	Beam Dia. (ft)*
5'	203	1.5'
6'	141	1.8'
7'	103	2.1'
8'	79	2.4'
9'	63	2.7'

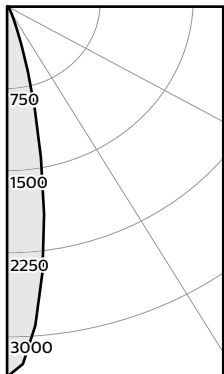
#### Zonal lumens & percentages

Zone	Lumens	%Luminaire
0-30	619	92.2%
0-40	635	94.5%
0-60	656	97.6%
0-90	672	100.0%

\* Beam diameter is where foot-candles drop to 50% of maximum.

### Beam spread: Narrow flood

#### Candela Curves



Angle	Mean CP	Lumens
0	3397	
5	2940	248
10	1937	
15	970	273
20	385	
25	154	80
30	79	
35	43	28
40	23	
45	16	13
50	13	
55	11	10
60	10	
65	8	8
70	7	
75	5	5
80	3	
85	2	2
90	0	

Frame: L3NZ10U  
Light engine: L308835NF  
Trim: L3RAPW

Report no<sup>3</sup>: 538GFR

Output lumens: 663lm	Efficacy: 56.2lm/W
Input Watts <sup>1</sup> : 11.8W	CCT <sup>2</sup> : 3500K
Beam angle: 22°	CRI: ≥80
Spacing Criterion: 0.4	

#### Single unit data

Height to Lighted Plane	Initial Center Beam Foot-Candles	Beam Dia. (ft)*
5'	136	2.0'
6'	94	2.4'
7'	69	2.8'
8'	53	3.2'
9'	42	3.6'

#### Zonal lumens & percentages

Zone	Lumens	%Luminaire
0-30	597	90.1%
0-40	625	94.2%
0-60	648	97.7%
0-90	663	100.0%

\* Beam diameter is where foot-candles drop to 50% of maximum.

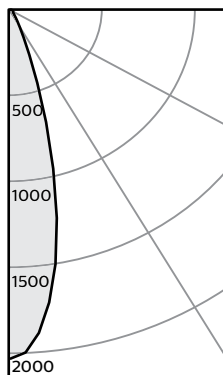
1. Wattage: controlled to within ± 10%
2. Correlated Color Temperature: within specs as defined in ANSI\_NEMA\_ANSI C78.377-2008: Specifications for the Chromaticity of Solid State Lighting Products.
3. Tested using absolute photometry as specified in LM79: IESNA Approved Method for the Electrical and Photometric Measurements of Solid-State Lighting Products.

# L3RAP LyteCaster LED 3" Accent

## Round Pinhole

### Beam spread: Flood

Candela Curves



Angle	Mean CP	Lumens
0	2029	
5	1887	168
10	1502	
15	957	258
20	453	
25	180	93
30	81	
35	38	27
40	24	
45	21	16
50	19	
55	18	16
60	16	
65	13	13
70	11	
75	8	8
80	5	
85	2	3
90	0	

Frame: L3NZ10U  
Light engine: L308835F  
Trim: L3RAPW

Report no<sup>3</sup>: 529GFR

Output lumens:	600 lm	Efficacy:	50.8 lm/W
Input Watts:	11.8 W	CCT:	3500 K
Beam angle:	30°	CRI:	≥80
Spacing Criterion:	0.5		

#### Single unit data

Height to Lighted Plane	Initial Center Beam Foot-Candles	Beam Dia. (ft)*
5'	81	2.5'
6'	56	3.0'
7'	41	3.5'
8'	32	4.0'
9'	25	4.5'

#### Zonal lumens & percentages

Zone	Lumens	%Luminaire
0-30	517	86.2%
0-40	543	90.6%
0-60	576	96.0%
0-90	600	100.0%

\* Beam diameter is where foot-candles drop to 50% of maximum.

1. Wattage: controlled to within ± 10%
2. Correlated Color Temperature: within specs as defined in ANSI\_NEMA\_ANSI C78.377-2008: Specifications for the Chromaticity of Solid State Lighting Products.
3. Tested using absolute photometry as specified in LM79: IESNA Approved Method for the Electrical and Photometric Measurements of Solid-State Lighting Products.

### Electrical Specifications

Frame-in kit	Input volts	Input freq.	Input current	LED drive current	Input power	LED power	THD factor	Power factor
L3AE1	120V	50/60Hz	.090 A	260 ma	10.64 W	8.76 W	<20%	> .9
L3ANE1	120V	50/60Hz	.090 A	260 ma	10.64 W	8.76 W	<20%	> .9
L3CE1	120V	50/60Hz	.090 A	260 ma	10.64 W	8.76 W	<20%	> .9
L3NZ10U	120V	50/60Hz	.102 A	260 ma	11.8 W	9.74 W	<10%	> .8
	277V	50/60Hz	.047 A	260 ma	11.8 W	8.90 W	<10%	> .8

