



Lightolier LyteCaster LED Accent adjustable features a 3.5" luminaire height that conserves plenum space without compromising the 35° angular tilt. The modular and interchangeable light engine allows for an easy future upgrade. The accent adjustable is damp location listed and comes in 3 standard finish options.

Project: _____
 Location: _____
 Cat.No: _____
 Type: _____
 Lamps: _____ Qty: _____
 Notes: _____

Complete product = Frame-in kit + Light engine + Trim Order each separately

Ordering guide: Frame-In kit

Example: L3AE1

Series	Frame type	Dimming	Input voltage
L3			
L3 LyteCaster 3" Accent	A AirSeal IC, New Construction, Screw	E ELV/Triac dimming	1 120V
	AN AirSeal IC, New Construction, Nail		
	N New Construction Non-IC	Z10 0-10V	U Universal (120-277V)

Ordering guide: Light engine

Example: L308830NF

Series	Lumens	CRI	CCT	Beam	Option
L3	08				
L3 LyteCaster 3" Accent	08 800	8 80	27 2700K	S Spot, 17° NF Narrow flood, 22° F Flood, 30°	
			30 3000K 35 3500K		
		9 90	27 2700K 30 3000K ¹	S Spot, 17° NF Narrow flood, 22° F Flood, 30°	CW CrispWhite ¹

Ordering guide: Round trim

Example: L3RAD

Series	Shape	Luminaire type	Finish	Flange
L3	R			
L3 LyteCaster 3" Accent	R Round	A Adjustable	C Chrome cone D Diffuse cone W White cone	blank White
		AB Adjustable baffle	W White baffle	blank White

1. 3000K and CrispWhite must be ordered together



L3RA LyteCaster LED 3" Accent

Round Adjustable

Ordering guide: Accessories

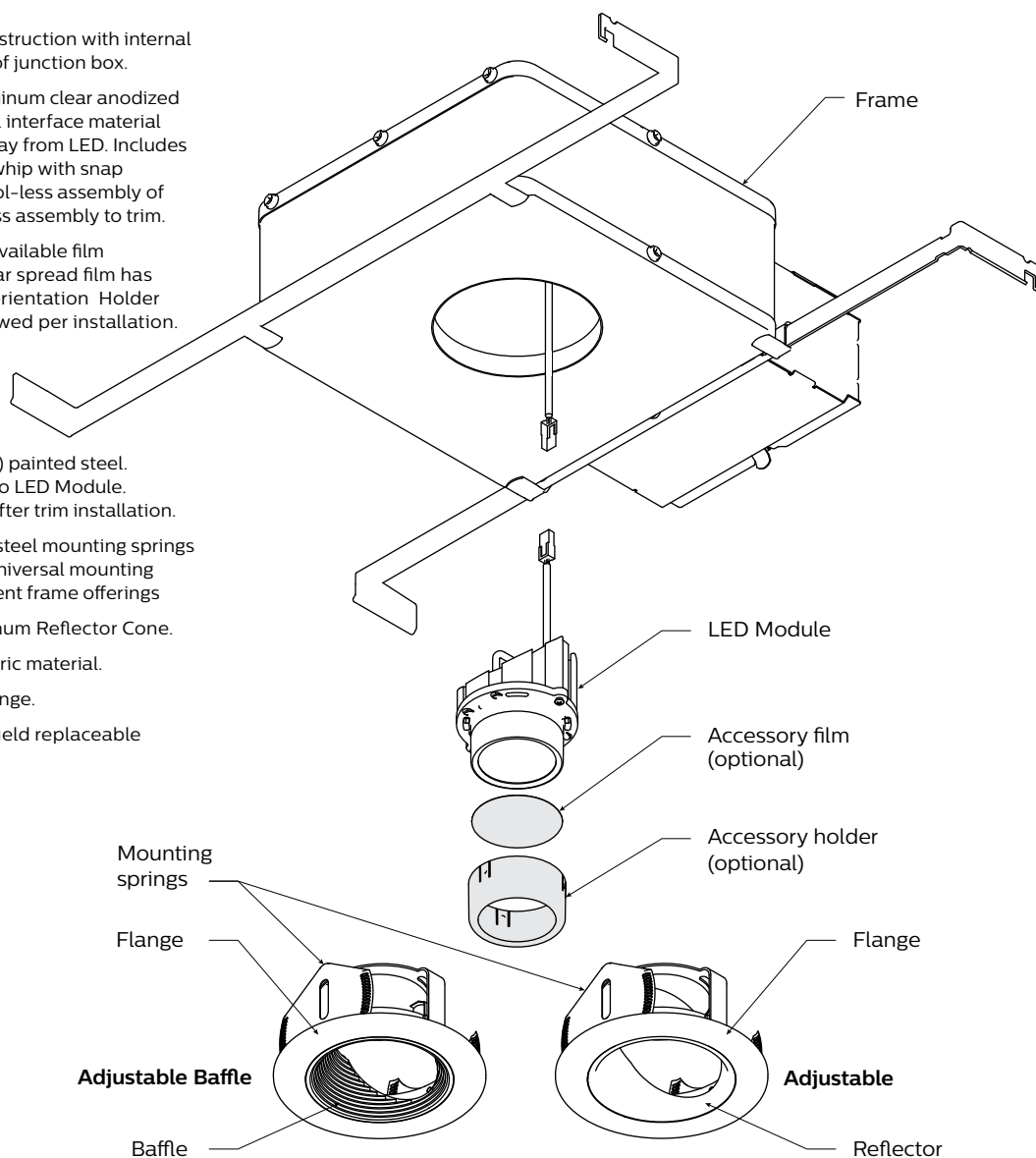
Series	Type	Beam	Finish
L3	<input type="checkbox"/>	<input type="checkbox"/>	<input type="checkbox"/>
L3 LyteCaster 3" Accent	AH Accessory holder		W White B Black
	LS Linear lens spread film ³ SD 5° soft diffusion film ³		
	RP Replacement Optic	S Spot NF Narrow flood F Flood	

3. Accessory holder required.

Assembled configuration:

1. Frame Galvanized steel construction with internal access door for inspection of junction box.
2. LED Module Extruded Aluminum clear anodized finish heat sink with thermal interface material efficiently transfers heat away from LED. Includes strain relieved low voltage whip with snap interconnector for quick, tool-less assembly of power connection. Tool-less assembly to trim.
3. Accessory Film (Optional) Available film accessories: .010 thick Linear spread film has notch to assist with beam orientation Holder required; only one film allowed per installation.
4. Accessory Holder (Optional) painted steel. Accessory holder snaps onto LED Module. Can be installed before or after trim installation.
5. Mounting springs stainless steel mounting springs min 0.013" thick provide a universal mounting solution between the different frame offerings
6. Downlight Reflector: Aluminum Reflector Cone.
7. Step Baffle: Molded polymeric material.
8. Die Cast Aluminum Trim Flange.

Note: LED module allows for field replaceable optics. Order separately.

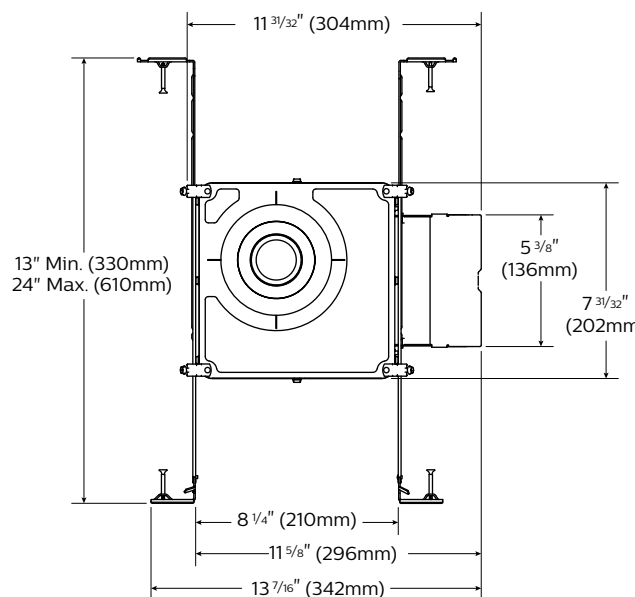


L3RA LyteCaster LED 3" Accent

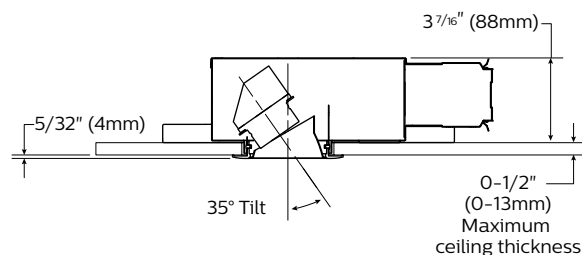
Round Adjustable

L3AE1 & L3ANE1 new construction in IC AirSeal frame-in kits

Bottom view

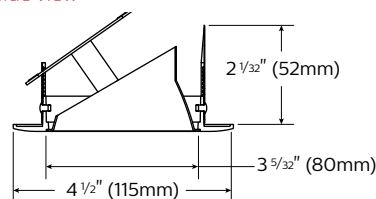


Side view

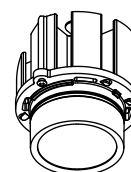


Round trim

Side view



Light engine



Features

- Housing:** #23 ga. (.026") thick Galvanized steel. cULus listed for direct contact with thermal insulation (IC rated). AirSeal housing minimizes air leakage to less than 2 CFM at 1.57PSF (or 75PA), which complies with Title 24, the International Energy Conservation Code, and Washington State Energy Code (Section 502.4). This helps reduce heat loss and condensation in ceiling. Internal access door for inspection of junction box.
- Lower frame and top cover:** #23 ga. (.026") thick Galvanized steel. Accommodates ceilings up to 1" (25.4 mm) thick. Bottom cover provided with a .5" (6.2mm) lip and 4 embossed indicator lines to simplify alignment during installation. Housing can be locked into position on the mounting bars with locking screws.
- Junction box:** 2 1/2" (64mm) x 5 3/8" (137mm) x 2" (51mm) #21 ga. (.032") thick galvanized steel, cULus listed 90 degrees C rated supply conductors. Rated for branch circuit wiring supplying connected luminaires (daisy chaining).
- Mounting bars:** #16 ga. (.059") thick galvanized steel. Bars pivot for easy attachment and wire in from below the ceiling line. Bars can extend to accommodate 16" (406mm) to 24" (610mm) O.C. joist spacing. Bars can accommodate 12" (305mm) O.C. joist spacing after slight field modification (see instruction sheet). Features integral self-tapping screw phillips/square drive for attachment to wood or metal construction. Also available with integral nails (N). Attaches to T-bar ceilings without accessories. Bars installed on shortest dimension of frame can be easily rotated 90° from original position.
- Electronic dimming driver:** Class 2 electronic LED Driver, with less than 1 second start up, RoHS compliant, suitable for damp locations. 120v 50/06Hz >.9 power factor. Sound rating Class "A" (<24dB). Complies with FCC,CFR title 47 part 15 Class B for EMI/RFI. Dimmable with standard electronic low voltage (ELV) & Triac dimmers. Dims to less than or equal to 10% of relative high output. 5 year limited warranty.
- Ceiling cutout:** 3 3/4" diameter.

Electrical

Input voltage 120v, Input freq.: 50/60 hZ, Input current .25 amps, Input Power 12W, Power factor >.9

Warranty

5 year limited warranty. (visit philips.com/warranties for details)

Labels

cULus type IC listed suitable for damp location. AirSeal.

This product complies with the requirements of the California Energy Commission regulated under Title 24, and has been listed in the Title 20 database.

Energy Star

Product family has Energy Star certification with the following exception:

- All 90 CRI options

Title 24

Product family has Title 24 certification with the following exception:

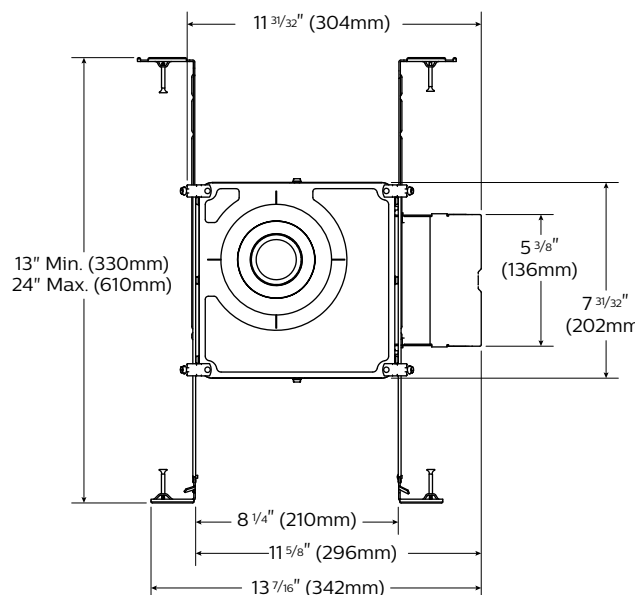
- All 80 CRI options

L3RA LyteCaster LED 3" Accent

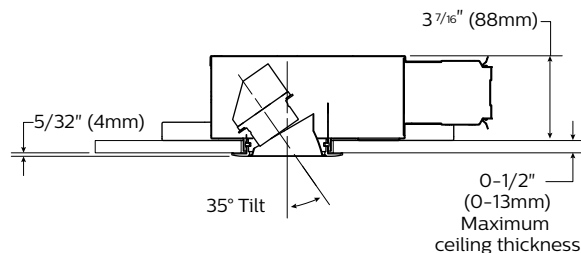
Round Adjustable

L3NZ10V New construction non IC 0-10V frame-in kit

Bottom view

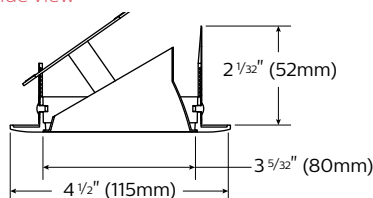


Side view

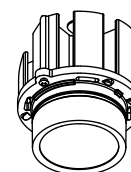


Round trim

Side view



Light engine



Features

- Non-IC housing:** #23 ga. (.026") thick Galvanized steel. cULus listed for damp locations. AirSeal housing minimizes air leakage to less than 2CFM at 1.57 PSF (or 75PA), complies with Title 24, International Energy Conversation Code, and Washington State Energy Code (section 502.4) Frame provided with internal access door for inspection of junction box.
- Lower frame and top cover:** #23 ga. (.026 ") thick Galvanized steel. Accommodates ceilings up to 1" (25.4 mm) thick. Bottom cover provided with a .5" (6.2mm) lip and 4 embossed indicator lines to simplify alignment during installation. Housing can be locked into position on the mounting bars with locking screws.
- Junction box:** 2 1/2" (64mm) x 5 3/8" (137mm) x 2" (51mm) #21 ga. (.032") thick galvanized steel, cULus listed 90 degrees C rated supply conductors. Rated for branch circuit wiring supplying connected luminaires (daisy chaining).
- Mounting bars:** #16 ga. (.059") thick galvanized steel. Bars pivot for easy attachment and wire in from below the ceiling line. Bars can extend to accommodate 16" (406mm) to 24" (610mm) O.C. joist spacing. Bars can accommodate 12" (305mm) O.C. joist spacing after slight field modification. (see instruction sheet) Features integral self-tapping screw phillips/square drive screws for attachment to wood or metal construction. Attaches to T-bar ceilings without accessories. Bars installed on shortest dimension of frame can be easily rotated 90° from original position.
- Electronic dimming driver:** Class 2 electronic LED driver, RoHS compliant, suitable for damp location. 120/277v 50/06Hz >.9 power factor. MTP (module thermal protection) current cutback up to 10% to prevent overheating. Sound rating Class "A" (<24dB). Complies with FCC, CFR title 47 part 15 Class A for EMI/RFI. Dimming Protocol (0-10v). Dims to less than or equal to 10% of relative high output.
- Ceiling cutout:** 3 3/4" diameter.

Electrical

Input voltage: 120/277, input freq.:50/60Hz. Input current .14A/.06A Input Power 16.4W, Power factor >.9

Warranty

5 year limited warranty. (visit philips.com/warranties for details)

Labels

cULus listed suitable for damp location. AirSeal. Inherently Protected. IP rated.

This product complies with the requirements of the California Energy Commission regulated under Title 24, and has been listed in the Title 20 database. For 120V only.

Energy Star

Product family has Energy Star certification with the following exception:
 • All 90 CRI options

Title 24

Product family has Title 24 certification with the following exception:
 • All 80 CRI options

L3RA LyteCaster LED 3" Accent

Round Adjustable

Electrical Specifications

Frame-in kit	Input volts	Input freq.	Input current	LED drive current	Input power	LED power	THD factor	Power factor
L3AE1	120V	50/60Hz	.090 A	260 ma	10.64 W	8.76 W	<20%	> .9
L3ANE1	120V	50/60Hz	.090 A	260 ma	10.64 W	8.76 W	<20%	> .9
L3CE1	120V	50/60Hz	.090 A	260 ma	10.64 W	8.76 W	<20%	> .9
L3NZ10U	120V	50/60Hz	.102 A	260 ma	11.8 W	9.74 W	<10%	> .8
	277V	50/60Hz	.047 A	260 ma	11.8 W	8.90 W	<10%	> .8

Adjustment factors

Color temperature (CCT)

2700K = 88%
3000K = 96%
3500K = 100%

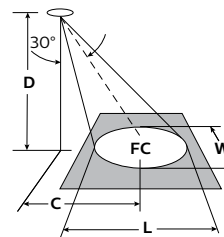
Color Rendering Index (CRI)

80 = 100%
90 = 85%
90 (CW) Crisp White = 78%

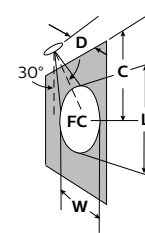
Finish

White Baffle (BW) = 100%
White Cone (DW) = 100%
Diffuse (DD) = 100%
Chrome (DC) = 102%

30° Horizontal Aiming

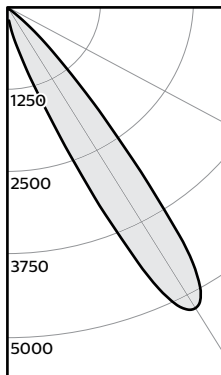


30° Vertical Aiming



Beam spread: Spot

Candela Curves



Frame: L3NZ10U

Light engine: L308835S

Trim: L3RAD

Report no³: 556GFR

Output lumens: 797lm	Efficacy: 67.6lm/W
Input Watts: 11.8W	CCT ² : 3500K
Beam angle: 17°	CRI: ≥80
Center beam: 5219 cd	

30° Horizontal Aiming

Dist. (D)	Dist. (C)	F.C. (FC)	Beam Length (L)	Beam Width (W)
6	3.5	94	2.4	2.1
8	4.6	53	3.2	2.8
10	5.8	34	4.0	3.5
12	6.9	24	4.8	4.1

30° Vertical Aiming

Dist. (D)	Dist. (C)	F.C. (FC)	Beam Length (L)	Beam Width (W)
2	3.5	163	2.6	1.2
3	5.2	72	3.8	1.8
4	6.9	41	5.1	2.4
5	8.7	26	6.4	3.0

1. Wattage: controlled to within ± 10%

2. Correlated Color Temperature: within specs as defined in ANSI_NEMA_ANSI C78.377-2008: Specifications for the Chromaticity of Solid State Lighting Products.

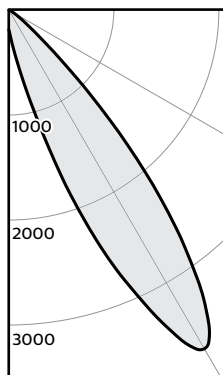
3. Tested using absolute photometry as specified in LM79: IESNA Approved Method for the Electrical and Photometric Measurements of Solid-State Lighting Products.

L3RA LyteCaster LED 3" Accent

Round Adjustable

Beam spread: Narrow flood

Candela Curves



Frame: L3NZ10U
Light engine: L308835NF
Trim: L3RAD Report no³: 550GFR

Output lumens: 804lm	Efficacy: 68.1lm/W
Input Watts ¹ : 11.8W	CCT ² : 3500K
Beam angle: 22°	CRI: ≥80
Center beam: 3725cd	

30° Horizontal Aiming

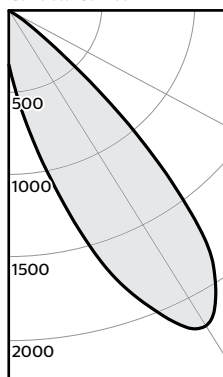
Dist. (D)	Dist. (C)	F.C. (FC)	Beam Length (L)	Beam Width (W)
6	3.5	67	3.1	2.7
8	4.6	38	4.2	3.6
10	5.8	24	5.2	4.5
12	6.9	17	6.3	5.4

30° Vertical Aiming

Dist. (D)	Dist. (C)	F.C. (FC)	Beam Length (L)	Beam Width (W)
2	3.5	116	3.5	1.6
3	5.2	52	5.3	2.3
4	6.9	29	7.0	3.1
5	8.7	19	8.8	3.9

Beam spread: Flood

Candela Curves



Frame: L3NZ10U
Light engine: L308835F
Trim: L3RAD Report no³: 551GFR

Output lumens: 826lm	Efficacy: 70.0lm/W
Input Watts ¹ : 11.8W	CCT ² : 3500K
Beam angle: 30°	CRI: ≥80
Center beam: 2190cd	

30° Horizontal Aiming

Dist. (D)	Dist. (C)	F.C. (FC)	Beam Length (L)	Beam Width (W)
6	3.5	40	4.4	3.7
8	4.6	22	5.9	5.0
10	5.8	14	7.3	6.2
12	6.9	10	8.8	7.4

30° Vertical Aiming

Dist. (D)	Dist. (C)	F.C. (FC)	Beam Length (L)	Beam Width (W)
2	3.5	68	5.5	2.1
3	5.2	30	8.2	3.2
4	6.9	17	10.9	4.3
5	8.7	11	13.7	5.4

1. Wattage: controlled to within ± 10%
2. Correlated Color Temperature: within specs as defined in ANSI_NEMA_ANSI C78.377-2008: Specifications for the Chromaticity of Solid State Lighting Products.
3. Tested using absolute photometry as specified in LM79: IESNA Approved Method for the Electrical and Photometric Measurements of Solid-State Lighting Products.

