



Basic Lightolier Track is a one circuit, one neutral track system designed to work with Lightolier track luminaires. The track can be installed individually in straight runs or in a variety of patterns in a variety of applications. Lightolier track are field-cuttable and can be surface mounted, stem mounting, or installed in a recessed housing.

Project: _____
 Location: _____
 Cat.No: _____
 Type: _____
 Qty: _____
 Notes: _____

System

example: 600NWH

Series	Length	Finishes
<input type="text" value="60"/>		
60 Basic 1 Circuit Track System	00N 2' Individual Track w/Live End 01N 4' Individual Track w/Live End 02N 8' Individual Track w/Live End 03N 8' Joiner Track 04N 4' Plain Track w/Dead End 06N 6' Plain Track w/Dead End 08N 8' Plain Track w/Dead End 12N 12' Plain Track w/Dead End	AL Aluminum BK Matte Black WH Matte White

Accessories

example: 6060WH

Series	Finishes
<input type="text"/>	
Canopy kits	
6060 End Feed Canopy kit	AL Aluminum
6063 Saddle Canopy kit	BK Matte Black
6096 Grid Ceiling Canopy kit *	WH Matte White
Monopoints	
6190 Round Monopoint	BK Matte Black
6170 Square Monopoint	WH Matte White
Adapters	
6079 Sloped Ceiling adapter	BK Matte Black
7599 Pendant adapter	WH Matte White
7596 Track Surface Raceway adapter	
Connectors	
6046N Power Extension connector	AL Aluminum
6048N Live End connector	BK Matte Black
6049N Mini-Coupler connector	WH Matte White
6053N Variable Angle connector	
6054N In-Line connector	
6050N "L" connector	
60501N "T" connector	
6052N "X" connector	
PowerTrip/Current Limiting Devices	
6099 PowerTrip w/Live End kit	AL Aluminum
6033 PowerTrip w/In-Line kit	BK Matte Black
	WH Matte White
Additional accessories	
6062 Cord & Plug for track systems	BK Matte Black
6085 Convenience Outlet (WH only)	WH Matte White
7589 Track Attachment fitting	

Series	
<input type="text"/>	
Stem Mounting kits	
7584AL 18" Stem Mounting kit (AL)	
7584 18" Stem Mounting kit (WH)	
7683 18" Stem Mounting kit (BK)	
7586AL 48" Stem Mounting kit (AL)	
7586 48" Stem Mounting kit (WH)	
7681 48" Stem Mounting kit (BK)	
Stem Extension kits	
7582AL 48" Stem Extension kit (AL)	
7582 48" Stem Extension kit (WH)	
7580 48" Stem Extension kit (BK)	
Dead-end covers	
56475N Dead-End cover (WH)	
56476 Dead-End cover (AL)	
56491 Dead-End cover (BK)	
Mounting clips & Mounting bars	
56451 Track mounting clips (set of 10)	
6089 Grid ceiling mounting clips (set of 9)	
6088 Slot grid ceiling mounting clips (set of 9)	
6087 Regressed grid ceiling mounting clips (set of 9)	
1950 Mounting bars 18" (set of 2)	
1951 Mounting bars 27" (set of 2)	

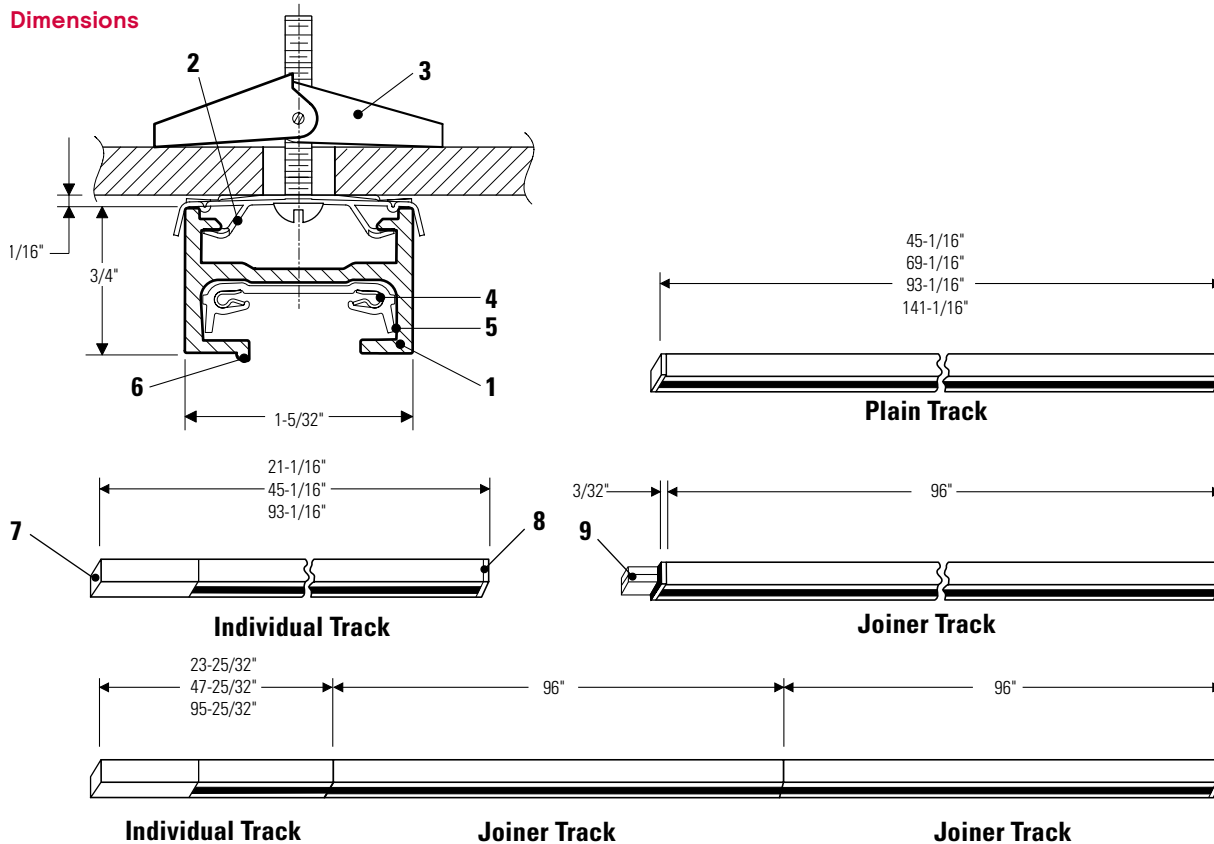
* Available in Black and White finishes only.



6000 Basic Track System

Track (2', 4', 6', 8', 12') 1 Circuit

Dimensions



Features

- Basic Lytespan Track:**
6063-T5 structural aluminum extrusion.
- Track Mounting Clips:**
0.024 Spring steel, in black or white;
order separately.
- Toggle Bolt & Screws:**
Furnished with track units.
- Conductor (2):**
Copper 12 ga. equivalent. "U" shape provides
reliable contact with connectors.
- Insulating Liner:**
0.032" wall, high temperature thermoplastic.
- Polarity Bead:**
Identifies the neutral conductor.
- Live End:**
Molded thermoplastic, contains contacts
for power supply leads.
- Dead End Cover:**
Molded thermoplastic.
- Mini Coupler:**
Connects track units mechanically
and electrically.

Mounting

The track may be surface or stem mounted or installed in a recessed housing (see Specification sheet 7515). The track is not intended to be cable mounted. All lengths can be field cut.

Dimming Compatibility

Capacity is 20 amps. at 120 volts per branch circuit (2400 watts incandescent load). The track units are polarized and continuously grounded throughout. Electrical conductors are concealed in a insulating liner. Intended for wiring to branch circuit building wire with ground. All wiring must be in accordance with National and Local Codes.

Electrical

Track units plug together and lock securely to prevent accidental separation. Lytespan lighting units can be attached at any point along the track.

Labels

cULus

6000 Basic Track System

Track (2', 4', 6', 8', 12') 1 Circuit

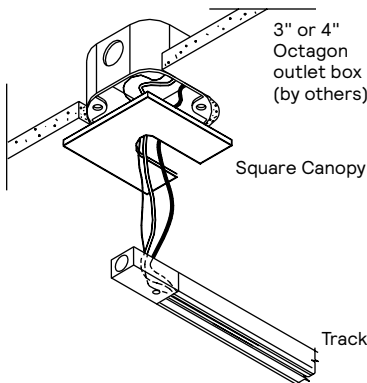
Accessories

End Feed Canopy kits
6060 4 1/2" square



- Aluminum
- Matte White
- Matte Black

Mounts above feed connectors.



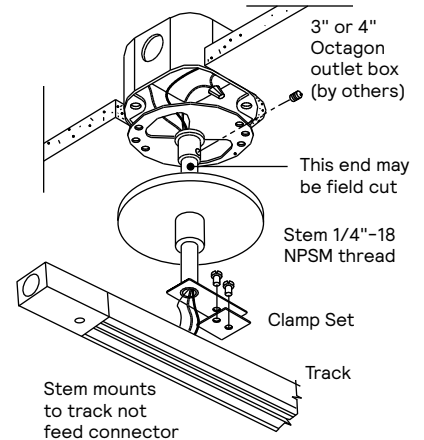
18" Stem Mounting kits *

- 7584AL Aluminum
- 7584 Matte White
- 7683 Matte Black

48" Stem Mounting kits *

- 7586AL Aluminum
- 7586 Matte White
- 7681 Matte Black

- Aluminum
- Matte White
- Matte Black



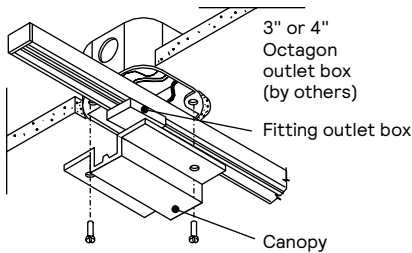
Saddle Canopy kits
6063 4 1/2" square



- Aluminum
- Matte White
- Matte Black

For power feed from 4" junction box.

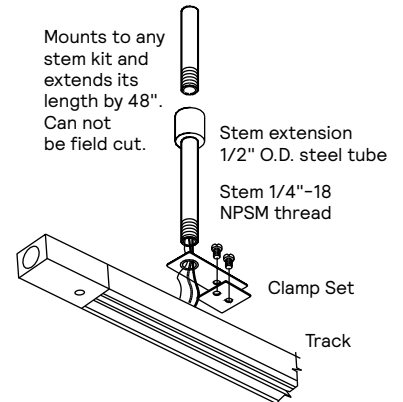
Mounts anywhere along track for power feed from a 4" or 3" octagon outlet box. Use Track Mounting Clips or direct mount track. Max load 20 amps @ 120V, 60Hz.



48" Stem Extension kits

- 7582AL Aluminum
- 7582 Matte White
- 7680 Matte Black

- Aluminum
- Matte White
- Matte Black

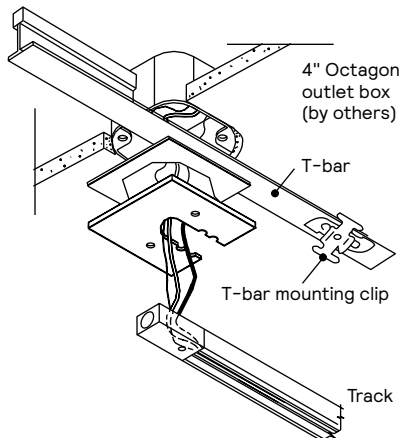


Grid Ceiling Canopy kits
6096N 4 1/2" square



- Matte White

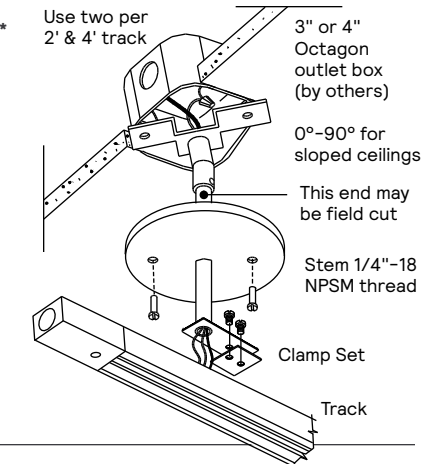
Outlet box included.



48" Swivel Stem Mounting kits *

- 7480AL Aluminum
- 7480 Matte White
- 7481 Matte Black

- Aluminum
- Matte White
- Matte Black



Round Monopoints
6190 4 5/8" dia. x 1/4"D



- Matte White
- Matte Black

Ultra shallow mounts fixture to 3 1/2" or 4" octagon outlet box. Use 90°C min. supply wire.

Square Monopoints
6170 5 5/8"L x 4 1/2"W x 1/4"D



- Matte White
- Matte Black

Ultra shallow mounts fixture to 3 1/2" or 4" octagon outlet box. Use 90°C min. supply wire.

Mounting bars
1950 18" (set of 2)
1951 27" (set of 2)



Dead-End covers
56475N Matte White
56476 Aluminum
56491 Matte Black

- Aluminum
- Matte White
- Matte Black



Note for Stem Mounting kits:

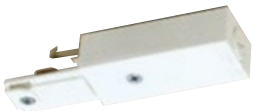
* When making a run of track do not exceed 4' between stems (use additional supports). Power is fed to track with stem closest to the track feed-in point. For power feed to Feed Track use Live-End "L", "T", "X", In-Line and Variable Angle Connectors.

6000 Basic Track System

Track (2', 4', 6', 8', 12') 1 Circuit

Accessories

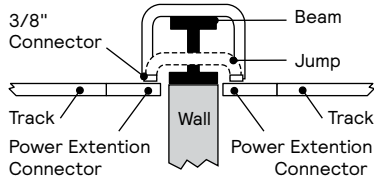
Power Extension connectors
6046N for Basic track



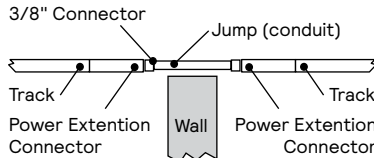
- Aluminum
- Matte White
- Matte Black

Use opposite Live End to power other track sections when obstructions exist.

Over Beam or Through Beam

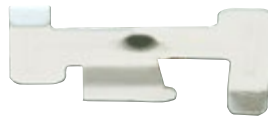


Through Wall or Column



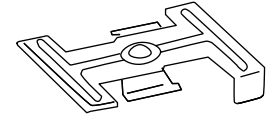
Track Mounting clips

56451 Zinc plated (set of 10).
Stands track off ceiling 1/16\".



- Matte White
- Matte Black

Replacement clips, included with Basic and Advent Track. Stands track off ceiling 1/16\".

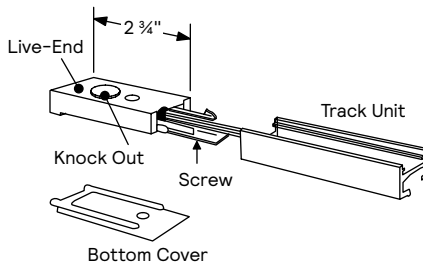


Live-End connectors
6048N for Basic track



- Aluminum
- Matte White
- Matte Black

Electrifies track from beginning of run (included in individual track).



Knock out permits direct feed with electrical connector. It is included with individual track units. Use with plain track.

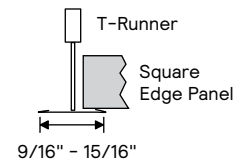
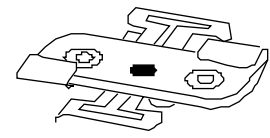
Grid ceiling mounting clips

6089 Zinc plated (set of 9)



- Matte White

For Square-Edge Panels and 9/16\" or 15/16\" T-Bar runners.

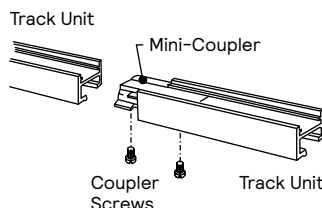


Mini-Coupler connectors
6049N for Basic track



- Aluminum
- Matte White
- Matte Black

Invisible spline for joining two track units (included in joiner).



Used to connect two pieces of track together mechanically and electrically. Power can not be fed to Mini-Coupler. It is included with Joiner Track.

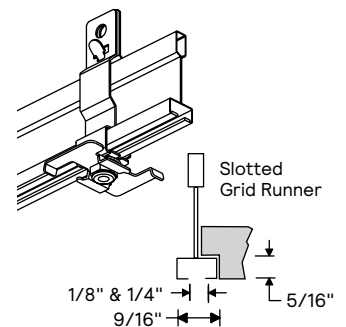
Slot grid ceiling mounting clips

6088 Zinc plated (set of 9)

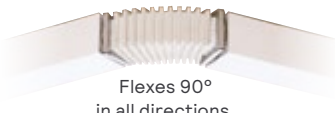


- Matte White

For Regressed-Edge Panels and Slotted Grid runners in ceiling systems.

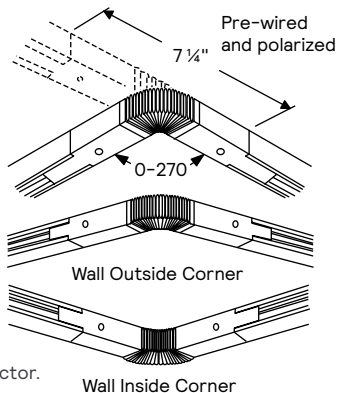


Variable Angle Connector
6053N for Basic track



- Aluminum
- Matte White
- Matte Black

Contains a die-cast zinc nut which accepts a 3/8\" threaded conduit fitting. Can be fed directly with electrical connector.



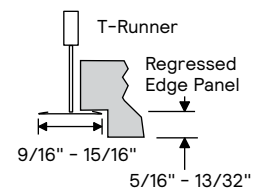
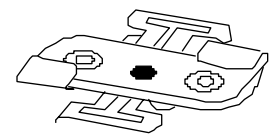
Regressed grid ceiling mounting clips

6087 Zinc plated (set of 9)



- Matte White

For Regressed-Edge Panels and Slotted Grid runners in ceiling systems.

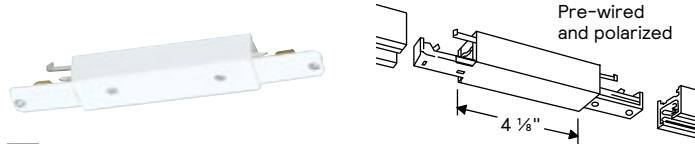


6000 Basic Track System

Track (2', 4', 6', 8', 12') 1 Circuit

Accessories

In-Line Connectors
6054N for Basic track



Aluminum
 Matte White
 Matte Black

Permits power feed between track units in a straight run of track. Knock-out permits direct feed with electrical connector.

PowerTrip current limiting devices
6033 In-Line for Basic track
6099 Live-End for Basic track



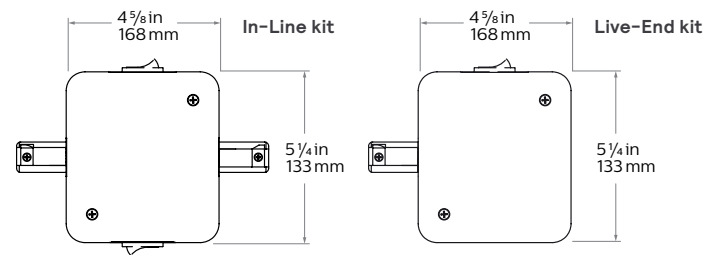
Aluminum
 Matte White
 Matte Black



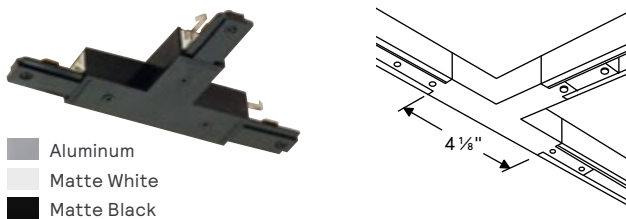
"L" Connectors
6050N for Basic track



Aluminum
 Matte White
 Matte Black



"T" Connector
6051N for Basic track



Aluminum
 Matte White
 Matte Black

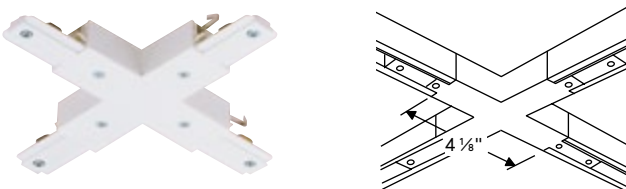
Cord and Plug
6062 for Basic track



Includes 15-foot, two-conductor cord and plug set with in-line switch. Capacity 7 amps at 120V. Not UL Listed.

Matte White
 Matte Black

"X" Connector
6052N for Basic track



Aluminum
 Matte White
 Matte Black

Convenience Outlet
6085 Capacity 6 amps (WH)



Matte White
 Matte Black

Provides auxiliary source for plug-in equipment.

Track Attachment Fitting
7589 Capacity 6 amps



Matte White
 Matte Black

Supports cord mounted fixture up to 10 lbs. and stem or chain mounted fixture to 25 lbs. Chain not included.



© 2021 Signify Holding. All rights reserved. The information provided herein is subject to change, without notice. Signify does not give any representation or warranty as to the accuracy or completeness of the information included herein and shall not be liable for any action in reliance thereon. The information presented in this document is not intended as any commercial offer and does not form part of any quotation or contract, unless otherwise agreed by Signify.

Signify North America Corporation
400 Crossing Blvd, Suite 600
Bridgewater, NJ 08807
Telephone: 855-486-2216

Signify Canada Ltd.
281 Hillmount Road,
Markham, ON, Canada L6C 2S3
Telephone: 800-668-9008

All trademarks are owned by Signify Holding or their respective owners.