

LIGHTOLIER

by @signify

Be seen in the best light

Comprehensive

2019 Lighting Catalog



Our lighting story

Be seen in the best light

Lightolier is a global market leader widely recognized for its innovative LED lighting solutions with an unmatched commitment to technology leadership, reliability, visual appeal and high performance. Now, we have made it even easier for you to choose the right lighting solution without investing considerable time or compromising your expectations. This means that you can confidently identify and implement the lighting solution to best suit your needs. This Lightolier LED comprehensive product offering provides you with a quick and easy way to select both downlighting and track lighting solutions that complement every lighting application.

Downlight luminaires

Specification-grade



Downlight luminaires

Performance-grade
Value-grade
Budget-grade



Decorative elements

Specification-grade



Track luminaires

Specification-grade
Performance-grade
Value-grade
Budget-grade



Contents

A journey through lighting

History	4
Through the years	

Applications	6
Retail, hospitality, residential, commercial	

Making your lighting selection	8
Downlighting, Decorative lighting and Track lighting	

Downlight luminaires	14
Specification downlight, wall wash, accent	

Calculite 1.75" Micro	18
round & square apertures with Micro Vetro	

Calculite 3" Evolution	20
round apertures	

Calculite 4" Adj. accent	22
round aperture	

Calculite 4"	26
round & square aperture	

Calculite 4" Tunable white	28
round & square aperture	

Calculite 4" Retrofit	29
round & square aperture	

Calculite 4" AirSeal	30
round & square aperture	

Calculite 6"	32
round & square aperture	

Calculite 6" Tunable white	34
round & square aperture	

Calculite 6" Retrofit	35
round & square aperture	

Calculite 6" AirSeal	36
round & square aperture	

Calculite 7"	38
round aperture	

Calculite 7" Retrofit	41
round aperture	

Calculite 4" / 6" Cylinders	42
round aperture	

Recessed Multiples	44
round aperture	

Downlight luminaires	48
Performance, Value & Budget downlight, wall wash, accent	

LyteProfile	50
round & square aperture	

EasyLyte	52
round apertures	

LyteCaster	54
round apertures	


LyteCaster Adjustable	56
round apertures	

LyteCaster Accent	58
round & square aperture	

SlimSurface	60
round & square aperture	

CorePro LED	61
round aperture	


Surface-mount
downlight 62

round apertures 

Retrofit
downlight 63

round apertures 

Flat
downlight 64

round & square
apertures 


Mini gimbal
& downlight 65

round apertures 


Decorative elements 66

LED & Conventional sources

Vetro downlights 68

Calculite downlights 

Vetro pendants 70

suspended luminaires 

Vetro sconces 72

wall mount luminaires 

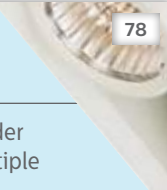
Track luminaires 74

Specification, Performance,
Value LED & Conventional

Alcyon 76

vertical cylinder 

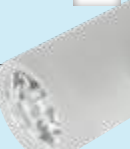
Alcyon 78

vertical cylinder
recessed multiple 


Alcyon 80

horizontal
cylinder 

OmniSpot 82

small cylinder 

OmniSpot 84

small cylinder
recessed multiple 

Spot LED 86

4, 9 & 12 LED
array configurations 

Spot LED 88

recessed
multiple 


LightFlood 90

linear flood 


Gimbal 91

PAR30 & PAR38
compatible 


CorePro 92

mini cylinder 

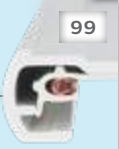
TrackHead 94

Mini cylinder 

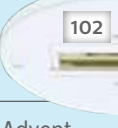
Tangent 96

Low & Line Voltage 

Track &
Monopoints 99

Radius, Basic
and Advent systems 


Accessories 102

Radius, Basic, and Advent 

Options 104

Suspended beam
and Recessed housing 

PowerTrip 105

Current limiting device 

Application guide 106

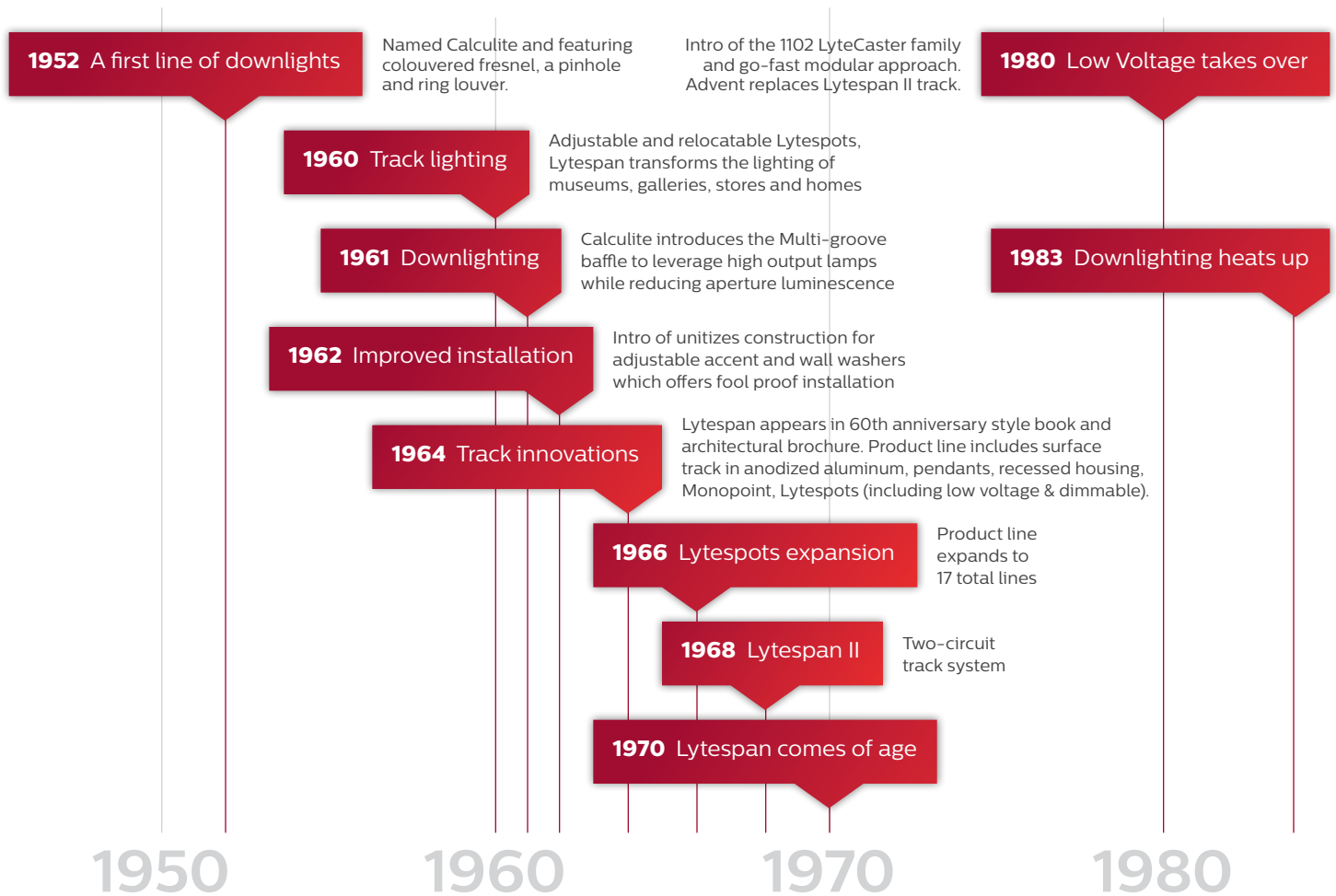
for track lighting systems

Resources 110

Online references and tools

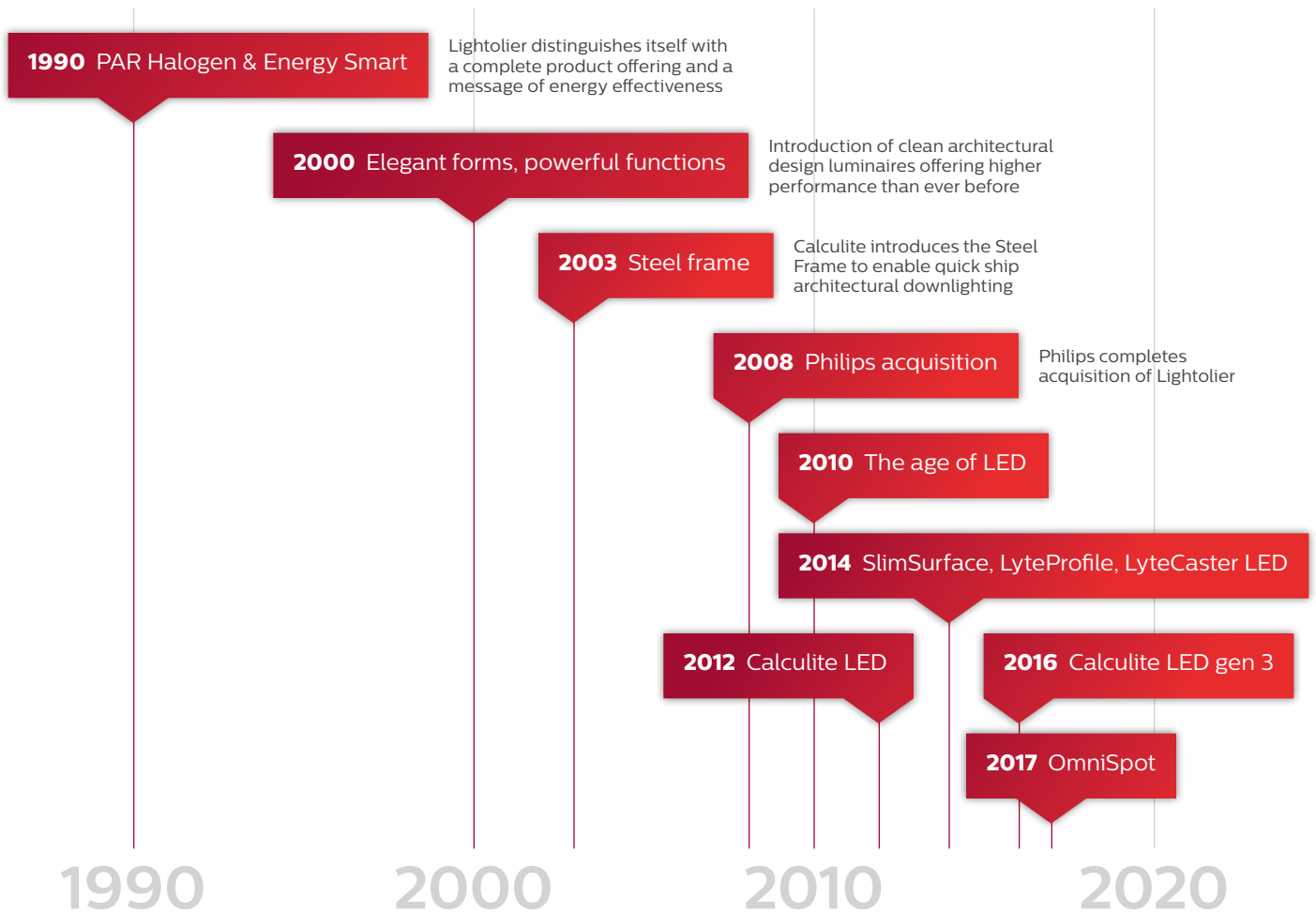
History

Through the years



Driven by inspiration in architectural designs, Lightolier began over 120 years ago. In its early days the company specialized in decorative chandeliers, then made a shift to the high-end design and architectural markets. With its unmatched commitment to innovation and continuous market leadership, sixty years ago, Lightolier recognized the need for downlighting and track lighting product portfolio, taking the next step in defining the lighting industry.

As advancements in lighting technologies continue to transform, downlighting is no exception. In fact, downlighting was one of the first lighting applications to commercially embrace LED, with its long lifetimes, robust efficiency, sustainability and low energy cost. With the introduction of the Calculite LED 4' 1000 lm in 2009, this product ultimately became recognized as product innovation of the year, setting up the whole new standards for the modern downlighting industry. Over the years, the Lightolier LED downlighting portfolio has expanded, while representing the apex of industry leading flexibility, functionality and quality.



Lightolier distinguishes itself with a complete product offering and a message of energy effectiveness

Introduction of clean architectural design luminaires offering higher performance than ever before

Calculite introduces the Steel Frame to enable quick ship architectural downlighting

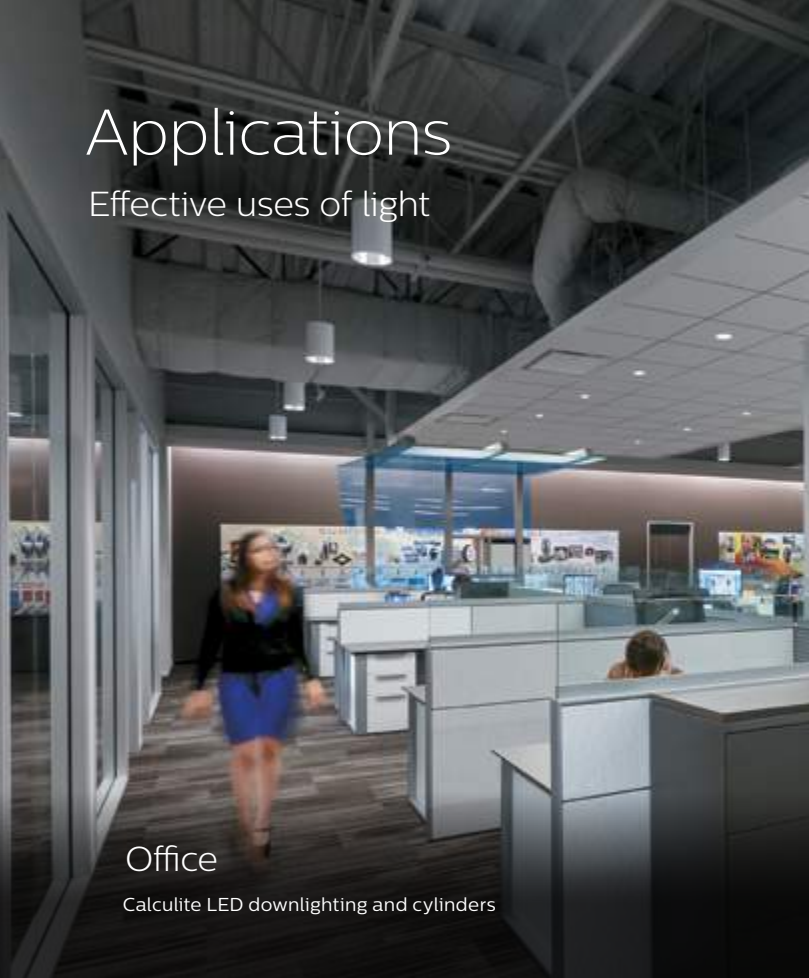
Philips completes acquisition of Lightolier

The track story of Lightolier began over fifty years ago with the introduction of Lytespan, a forward-thinking product line featuring track luminaires called Lytespots that could be individually moved and adjusted anywhere on the track pole. In 1957, Lightolier recognized the market need for more efficient and advanced overhead lighting, so this product was adapted for ceiling applications. Originally intended for commercial use in museums and retail, Lytespan track lighting was soon in homes across America as people realized the flexibility that track offered to adapt lighting quickly to their needs. No matter how advanced the track luminaire technology has become over years, Lightolier makes a commitment to its customers to maintain compatibility and flexibility with any new product released with its track systems.

With its unmatched commitment to customers and continuous innovation, our LED lighting solutions continues to represent visual appeal while maintaining energy efficiency, maximum light performance and rated lifetime, so you can get the most out of indoor environments.

Applications

Effective uses of light



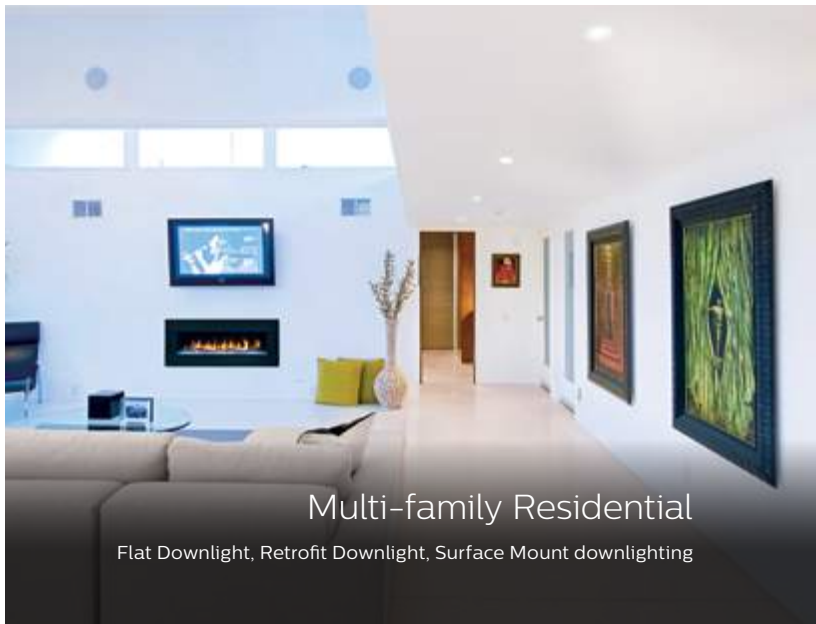
Office

Calculite LED downlighting and cylinders



Single Family Residential

LED Flat Downlight, Retrofit Downlight, Surface Mount



Multi-family Residential

Flat Downlight, Retrofit Downlight, Surface Mount downlighting



Hotels

SlimSurface LED 10" downlighting



Restaurants

LyteCaster LED and LyteCaster LED accent downlighting

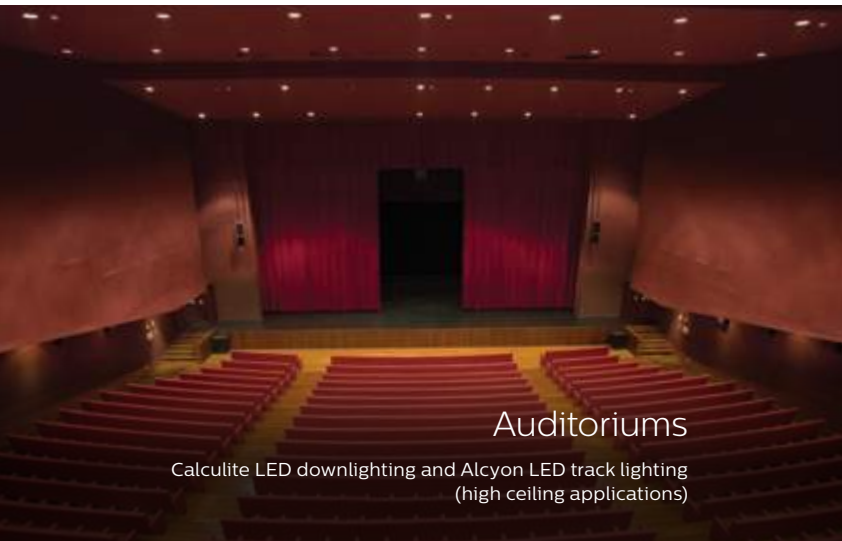


Assisted Living Facilities
SlimSurface LED and LyteCaster LED downlighting



Comprehensive
Applications

Healthcare
Calculite LED and LyteProfile LED downlighting



Auditoriums
Calculite LED downlighting and Alcyon LED track lighting
(high ceiling applications)



Retail
Calculite LED downlighting and OmniSpot recessed multiple



Grocery/Big Box Retail
Track lighting

Downlight luminaires

Making your selection



★★★★★

★★★★★

★★★★★

★★★★★

★★★★★

★★★★★

★★★★★

Specification-grade

	Micro 1.75"	Evolution 3"	Adj.Accent 4"	Calculite 4"	Calculite 6"	Calculite 7"	Cylinder 4" / 6"
Trims							
Styles	○ 1.75" □ 1.75"	○ 3"	○ 4"	○ 4" □ 4"	○ 6" □ 6"	○ 7"	○ 4" & 6"
Flanges	Polished Flangeless	Polished Flangeless White*	Polished Flangeless White*	Polished Flangeless White*	Polished Flangeless White*	Polished Flangeless White*	Cylinder finishes: Aluminum White* & Black*
Apertures	Comfort clear diffuse Champagne bronze White* & Black*	Satin Aluminum Specular clear Comfort clear Comfort clear diffuse Champagne bronze White* & Black*	Specular clear Comfort clear Comfort clear diffuse Champagne bronze White*	Specular clear Comfort clear Comfort clear diffuse Champagne bronze White* & Black*	Specular clear Comfort clear Comfort clear diffuse Champagne bronze White* & Black*	Specular clear Comfort clear Comfort clear diffuse Champagne bronze White* & Black*	Specular clear Comfort clear Comfort clear diffuse Champagne bronze Black*
Reflectors	—	Fresnel Spot Spot Narrow Flood Flood Wide Flood	Tight Spot Spot Narrow Flood Flood	Downlight (narrow) Downlight (medium) Downlight (wide) Open Wall Wash Lensed Wall Wash Corner Wall Wash Double Wall Wash Shower light	Downlight (narrow) Downlight (medium) Downlight (wide) Open Wall Wash Lensed Wall Wash Corner Wall Wash Double Wall Wash Shower light	Downlight (narrow) Downlight (medium) Downlight (wide) Open Wall Wash Lensed Wall Wash Corner Wall Wash Double Wall Wash	Downlight (narrow) Downlight (medium) Downlight (wide) Open Wall Wash Double Wall Wash
Types	Downlight (50° cutoff) Downlight (75° cutoff) Lensed Wall Wash	Downlight Downlight Pinhole Adjustable Accent Adj. Accent Pinhole Lensed Wall Wash	Adjustable Accent				
Beams	26° to 51° (4 options)	12° to 30° (6 options)	11° to 29° (4 options)	43° to 76° (6 options)	38° to 72° (6 options)	40° to 72° (3 options)	40° to 76° (6 options)
Performance							
Applications	Commercial, Architectural and High-end residential			Commercial, Architectural and High-end residential			
Lumens	400, 900	1000	1500	500, 1000, 1500, 2000, 2500, 3000	1000, 1500, 2000, 2500, 3500, 4800, 6000	1000, 1500, 2000, 2500, 3500, 4800, 6000	500, 1000, 1500, 2000, 2500, 3000, 3500, 4800, 6000
Watts	14W	13W	27W	10-15W	19-57W	21-57W	6-57W
Efficacy	up to 85lm/W	up to 75lm/W	up to 64lm/W	up to 115lm/W	up to 115lm/W	up to 115lm/W	up to 115lm/W
CCTs (K)	2700, 3000, 3500, 4000			2700, 3000, 3500, 4000			
CRIs	80 (400lm), 90 (900lm)	80, 90	80, 90	80, 90	80, 90	80, 90	80, 90
Lifetime	90,000hrs (L90)	50,000hrs (L70)	36,000hrs (L70)	60,000hrs (L90)	60,000hrs (L90)	60,000hrs (L90)	60,000hrs (L90)
Technology							
Dimming	0-10V, ELV	0-10V, ELV, Lutron	0-10V, Lutron	0-10V, EldoLED, DMX, DALI, Lutron, ELV, PoE, Tunable White	0-10V, EldoLED, DMX, DALI, Lutron, ELV, PoE, Tunable White	0-10V, EldoLED, DMX, DALI, Lutron, ELV, PoE	0-10V, EldoLED, DMX, DALI, Lutron, ELV
Emergency	—	—	—	Remote EM test switch Integral EM test switch	Remote EM test switch Integral EM test switch	Remote EM test switch Integral EM test switch	—
Accessories	Mud-in ring Mounting Pan IC frame	Mud-in ring	Mud-in ring Diffusion films Beam spreader Hex cell louver	Mud-in ring, EM pack, Actilume, SpaceWise, Vandal-proof (IP65), Sloped ceiling	Mud-in ring, EM pack, Actilume, SpaceWise, Vandal-proof (IP65), Sloped ceiling	Mud-in ring, EM pack, Actilume, SpaceWise	Wall mount Pendant w/stem kit Pendant w/cable kit
Installations	New Construction, Remodeler, Wet locations	New Construction, Damp locations	New Construction, Damp locations	New Construction, Remodeler, Retrofit Chicago Plenum, Wet locations	New Construction, Remodeler, Retrofit Chicago Plenum, Wet locations	New Construction, Remodeler, Retrofit Chicago Plenum, Wet locations	New Construction, Wet locations
Labels	cULus listed, IC & Title 24 rated, Airseal IC rated, ENERGY STAR®	cULus listed, IC & Title 24 rated, Airseal IC rated, ENERGY STAR®	cULus listed, IC & Title 24 rated, Airseal IC rated, ENERGY STAR®	cULus listed, CCEA, IC & Title 24 rated, Airseal IC rated, RoHS, ENERGY STAR®	cULus listed, CCEA, IC & Title 24 rated, Airseal IC rated, RoHS, ENERGY STAR®	cULus listed, CCEA, IC & Title 24 rated, Airseal IC rated, RoHS, ENERGY STAR®	cULus listed, CCEA, IC & Title 24 rated, RoHS, ENERGY STAR®
Warranty	5-year limited	5-year limited	5-year limited	5-year limited	5-year limited	5-year limited	5-year limited



	Performance-grade		Value-grade			
	LyteProfile	EasyLyte	LyteCaster	Accent	SlimSurface	CorePro LED
Trims						
Styles	○ 4", 6" □ 4", 6"	○ 4", 6"	○ 4", 5", 6" □ 4", 5", 6"	○ 3" □ 3"	○ 5", 7", 10" □ 4", 6"	○ 4", 5", 6"
Flanges	Polished White* & Black*	White*	Matches Aperture	Matches Aperture	Matches Aperture	Matches Aperture
Apertures	Specular clear Comfort clear Comfort clear diffuse White* & Black*	Comfort diffuse Dark Bronze White* & Black*	Clear diffuse White*	Aluminum White* & Black* Chrome Diffuse	Aluminum White* & Black* Metal (10" only)	White*
Reflectors	—	Open Step baffle	Open Step baffle	Downlight Baffle Downlight Adjustable Baffle Adjustable Adjustable Pinhole	—	—
Types	Downlight Lensed Wall Wash	Downlight	Downlight Baffle Downlight Adjustable	Lensed Wall Wash Gimbal Shower Light	Downlight	Downlight
Beams	Wide	Wide	Wide	Wide	Wide	Wide
Performance						
Applications	Residential, Hospitality and Light commercial		Residential, Hospitality and Light commercial		Residential and Hospitality	
Lumens	500 (4" only), 1000, 1500, 2000, 2500, 3000 & 3500 (6in only)	500, 1000, 1500, 2000, 2500	650, 700, 800, 1000, 1500, 2000	800	650, 1000, 2200	4": 800 5": 950 6": 800 & 1200
Watts	7-20 W	7-20 W	7-20 W	7-20 W	9-28 W	11-16 W
Efficacy	up to 100 lm/W	up to 100 lm/W	up to 90 lm/W	up to 90 lm/W	up to 94 lm/W	up to 89 lm/W
CCTs (K)	2700, 3000, 3500, 4000		2700, 3000, 3500, 4000		2700, 3000, 3500, 4000	
CRIs	80, 90	80, 90	80, 90	80, 90	80, 90	80, 90
Lifetime	50,000hrs (L70)	50,000hrs (L70)	50,000hrs (L70)	50,000hrs (L70)	50,000hrs (L70)	50,000hrs (L70)
Technology						
Dimming	0-10V, EldoLED, DALI, Lutron, PoE	0-10V, EldoLED, DALI, Lutron, PoE	0-10V, ELV, TRIAC	0-10V, ELV, TRIAC	0-10V, ELV, TRIAC	TRIAC
Emergency	Available	Available	—	—	—	—
Accessories	—	—	—	—	—	—
Installations	New Construction Wet locations	New Construction Wet locations	Wet locations	CrispWhite Wet locations	Wet locations	Wet locations
Labels	cULus listed, Title 24 rated, ENERGY STAR®	cULus listed, Title 24 rated, ENERGY STAR®	cULus listed, IC & Title 24 rated, Airseal IC rated, RoHS, ENERGY STAR®	cULus listed, IC & Title 24 rated, Airseal IC rated, RoHS, ENERGY STAR®	cULus listed, Title 24 rated, RoHS, ENERGY STAR®	cULus listed, Title 24 rated, Airseal IC rated, RoHS, ENERGY STAR®
Warranty	5-year limited	5-year limited	5-year limited	5-year limited	5-year limited	5-year limited



Budget-grade

	Surface-mount downlight	Retrofit downlight	Flat downlight	Mini Downlight & Mini Gimbal
--	-------------------------	--------------------	----------------	------------------------------

Trims				
Styles	○ 5", 7"	○ 4", 5/6"	○ 4", 6" □ 4", 6"	○ 3"
Flanges	Matches Aperture	Matches Aperture	Matches Aperture	Matches Aperture
Apertures	White*	White*	White*	White*
Reflectors	–	–	–	–
Types	Downlight	Downlight Baffle	Downlight	Downlight Gimbal
Beams	Wide	Wide	Wide	Wide
Performance				
Applications	Residential and Hospitality			
Lumens	700, 1000	900, 1400	700, 900	550
Watts	10-15W	12-18W	12-15W	8W
Efficacy	up to 69lm/W	up to 78lm/W	up to 60lm/W	up to 69lm/W
CCTs (K)	3000	3000	3000	3000
CRIs	90	90	90	90
Lifetime	50,000 hrs (L70)	42,000 hrs (L70)	50,000 hrs (L70)	50,000 hrs (L70)
Technology				
Dimming	TRIAC	ELV, TRIAC	ELV, TRIAC	TRIAC
Emergency	–	–	–	–
Accessories	–	–	–	–
Installations	New Construction Remodeler Wet locations	New Construction Remodeler Wet locations	New Construction Remodeler Wet locations	New Construction Remodeler Wet locations
Labels	cETLus listed, IC & Title 24 rated, RoHS, ENERGY STAR®	cULus listed, IC & Title 24 rated, RoHS, ENERGY STAR®	cULus listed, IC & Title 24 rated, Airseal IC rated, RoHS, ENERGY STAR®	cETLus listed, IC & Title 24 rated, Airseal IC rated, RoHS, ENERGY STAR®
Warranty	5-year limited	5-year limited	5-year limited	5-year limited

Decorative elements

Making your selection



Specification-grade

Micro Vetro 1.75"	Vetro 4" & 6"
--------------------------	--------------------------

Features	
Styles	○ 1.75" □ 1.75" ○ 4" & 6"
Materials	Comfort clear diffuse reflector with acrylic or glass element and satin aluminum accents
Applications	Commercial, Architectural and High-end residential
Installations	New Construction, Remodeler, Retrofit, Chicago Plenum, Damp locations



Specification-grade

Vetro PM pendant	Vetro PS pendant	Vetro PS pendant	Vetro PW sconce
-------------------------	-------------------------	-------------------------	------------------------

Features				
Styles	Suspended Pendant	Suspended Pendant (cylindrical)	Suspended Pendant (conical)	Wall Sconce
Materials	Frosted glass and satin aluminum	Frosted glass and satin aluminum	Frosted glass and satin aluminum	Frosted glass and satin aluminum
Apertures	Frosted glass / transparent glass element and satin aluminum accents			
Performance				
Applications	Commercial, Architectural and High-end residential	Commercial, Architectural and High-end residential	Commercial, Architectural and High-end residential	Commercial, Architectural and High-end residential
Lumens	1000	400	400	400
Watts	24W	8W	8W	8W
CCTs (K)	2700, 3000, 3500, 4000	2700, 3000, 3500, 4000	2700, 3000, 3500, 4000	2700, 3000, 3500, 4000
CRIs	80	80	80	80
Lifetime	50,000 hrs (L70)	50,000 hrs (L70)	50,000 hrs (L70)	50,000 hrs (L70)
Technology				
Dimming	0-10V	0-10V	0-10V	0-10V
Accessories	10ft Cable / Cord kit, Stem kit, Track mount kit, Surface mount kit	10ft Cable / Cord kit, Stem kit, Track mount kit, Surface mount kit	10ft Cable / Cord kit, Stem kit, Track mount kit, Surface mount kit	—
Installations	New Construction Damp location	New Construction Damp location	New Construction Damp location	New Construction Damp location
Labels	cULus listed	cULus listed	cULus listed	cULus listed

For more information on the complete Lightolier product offering visit www.philips.com/lightolier or contact your local Philips representative.

Track luminaires

Making your selection



Specification-grade

	Alcyon vertical	Alcyon recessed multiple	Alcyon horizontal	OmniSpot	OmniSpot recessed multiple
Features					
Finishes	Aluminum White* & Black*	White* & Black*	Aluminum White* & Black*	Aluminum White* & Black*	Aluminum White* & Black*
Adapters	Lightolier Halo Prospec Juno	–	–	Lightolier Halo Prospec Capri Juno Global	–
Optics	Interchangeable	Interchangeable	Interchangeable	Interchangeable	Interchangeable
Reflectors	Narrow Spot Spot Narrow Flood Flood	Narrow Spot Spot Narrow Flood Flood	Spot Narrow Flood Flood	Narrow Spot Spot Narrow Flood Flood	Narrow Spot Spot Narrow Flood Flood
Beams	10° to 36° (4 options)	10° to 36° (4 options)	13° to 28° (3 options)	11° to 36° (4 options)	11° to 36° (4 options)
Performance					
Applications	Commercial, Architectural, Hospitality, Retail and High-end residential	Commercial, Architectural, Hospitality, Retail and High-end residential	Commercial, Architectural, Hospitality, Retail and High-end residential	Commercial, Hospitality, Retail and Residential	Commercial, Hospitality, Retail and Residential
Lumens	600, 1000, 2000, 3000	600, 1300, 2000	1100	600, 1000, 2000	600, 1000
Watts	10-34W	10-30W	15W	6-25W	6-12W
Efficacy	up to 93lm/W	up to 60lm/W	up to 78lm/W	up to 108lm/W	up to 83lm/W
CCTs (K)	2700, 3000, 4000	2700, 3000, 4000	2700, 3000, 3500, 4000	2700, 3000, 3500, 4000	2700, 3000, 3500, 4000
CRIs	80, 90	80, 85	80, 90	80, 90	80, 90
CBCP	Up to 46,000cd	Up to 14,400cd	Up to 11,700cd	Up to 30,000cd	Up to 8,700cd
Lifetime	50,000hrs (L70)	50,000hrs (L70)	50,000hrs (L70)	50,000hrs (L70)	50,000hrs (L70)
Technology					
Dimming	ELV	0-10V	ELV	ELV	0-10V
Mounting	Track	Recessed	Track	Track	Recessed
Accessories	Accessory holder Snoot Diffusion filters/films Hex cell louver	Accessory holder Snoot Diffusion filters/films Hex cell louver	Accessory holder Snoot Diffusion filters/films Hex cell louver	Accessory holder Snoot Diffusion filters/films Hex cell louver	Accessory holder Snoot Diffusion filters/films Hex cell louver
Installations	New construction CrispWhite	New construction	New construction CrispWhite	New construction CrispWhite PremiumColor	New construction CrispWhite
Labels	cULus listed, ENERGY STAR®	cULus listed, ENERGY STAR®	cULus listed, ENERGY STAR®	cULus listed, ENERGY STAR®	cULus listed, ENERGY STAR®
Warranty	5-year limited	5-year limited	5-year limited	5-year limited	5-year limited

For more information on the complete Lightolier product offering visit www.philips.com/lightolier or contact your local Philips representative.



	Performance-grade			Value-grade		
	Spot LED	Spot LED recessed multiple	LightFlood	Gimbal LED	CorePro LED	Track Head
Features						
Finishes	Aluminum White* & Black*	Aluminum White* & Black*	Aluminum White* & Black*	Aluminum White* & Black*	Aluminum White* & Black*	Aluminum White* & Black*
Adapters	Lightolier Halo Juno GES GTek HTek	–	–	–	Lightolier Juno Capri Halo	Lightolier Juno
Optics	Integrated	Integrated	Integrated	Interchangeable	Integrated	Integrated
Reflectors	Spot Narrow Flood Flood	Spot Narrow Flood Flood	–	(determined by PAR30/38)	Narrow Flood Wide Flood	Narrow Spot Spot Narrow Flood Flood
Beams	8° to 40° (3 options)	9° to 32° (3 options)	100°	(determined by PAR30/38)	23 to 35° (2 options)	15 to 36° (4 options)
Performance						
Applications	Commercial, Hospitality and Retail	Commercial, Hospitality and Retail	Commercial, Hospitality Healthcare and Retail	Commercial, Hospitality and Residential	Commercial, Hospitality and Residential, Retail	Commercial, Hospitality and Residential, Retail
Lumens	600, 1000, 2000, 3000	1000, 1600	2000, 4000	(determined by PAR30/38)	1000	600, 1000
Watts	10-39W	13-22W	23W	(determined by PAR30/38)	6-12W	6-12W
Efficacy	up to 78 lm/W	up to 84 lm/W	up to 100 lm/W	(determined by PAR30/38)	Up to 107 lm/W	Up to 90 lm/W
CCTs (K)	2700, 3000, 4000	2700, 3000, 4000	3000, 4000	(determined by PAR30/38)	2700, 3000	3000
CRIs	80, 85	80, 85	80	(determined by PAR30/38)	80, 90	90
CBCP	Up to 70,000cd	Up to 28,000cd	Up to 900cd	(determined by PAR30/38)	Up to 2,900cd	Up to 12,300cd
Lifetime	54,000hrs (L70)	50,000hrs (L70)	50,000hrs (L70)	(determined by PAR30/38)	50,000hrs (L70)	40K to 60K hrs (L70)
Technology						
Dimming	ELV	Consult factory	ELV, TRIAC	–	ELV	0-10V
Mounting	Track	Recessed	Track	Track	Track	Track
Accessories	–	–	–	–	–	Accessory holder Snoot Diffusion filters/films Hex cell louver
Installations	New construction	New construction	New construction	New construction	New construction CrispWhite PremiumColor	New construction
Labels	cULus listed, ENERGY STAR®	cULus listed, ENERGY STAR®	cULus listed	cULus listed	cULus listed, ENERGY STAR®	cULus listed, ENERGY STAR®
Warranty	5-year limited	5-year limited	5-year limited	5-year limited	5-year limited	5-year limited

For more information on the complete Lightolier product offering visit www.philips.com/lightolier or contact your local Philips representative.

Downlight luminaires



Always moving forward

Lightolier, driven by inspiration in architectural designs, began over 120 years ago and in 1952 launched the Calculite product line which became the designers' choice for professional-grade downlighting. Calculite LED entered the market in 2009 and provided new opportunities in product design and development. The Calculite family is built on a tradition of creating the ideal combination of performance and visual comfort in discreet apertures for a breadth of applications in retail, hospitality, commercial and high-end residential spaces.

Today, Calculite LED continues to represent visual appeal and efficient performance, allowing you to maximize the impact of light and to get the most out of indoor environments.

Specification-grade



The Calculite difference
round & square apertures pg. 16



Calculite 1.75" Micro
round & square apertures pg. 18



Calculite 3" Evolution
round apertures pg. 20



Calculite 4" Adj. accent
round apertures pg. 22

Specification-grade (gen 3)



Calculite generation 3 family
round & square apertures pg. 24



Calculite 4"
round & square apertures pg. 26



Calculite 4" Tunable white
round & square apertures pg. 28



Calculite 4" Retrofit
round & square apertures pg. 29



Calculite 4" AirSeal
round & square apertures pg. 30



Calculite 6"
round & square apertures pg. 32



Calculite 6" Tunable white
round & square apertures pg. 34



Calculite 6" Retrofit
round & square apertures pg. 35



Calculite 6" AirSeal
round & square apertures pg. 36



Calculite 7"
round apertures pg. 38



Calculite 7" Retrofit
round apertures pg. 41



Calculite 4" / 6" Cylinder
round & square apertures pg. 42

The Calculite difference

Experience the difference

Visual comfort

Cutoff angles are not always what they seem, which can affect your overall design and comfort. Lightolier measures true downlight cutoff angles at the downlight's widest bright point to ensure maximum luminaire efficacy and comfort for those in the space. Sub-standard manufacturers measure to the light source, which reduces performance levels and creates uncomfortable glare.

Quiet zone

No visible elements:
lens, clips, rivets, rings
or other hardware

Transition zone

50° Direct View Cut Off

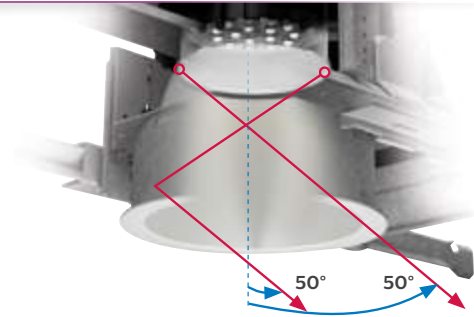
Bright zone

45° Reflected View Cut Off



Quality of light

Calculite's soft beam transitions provide consistent visual comfort, exceptional optical control, and extraordinary mechanical precision. Calculite delivers a true 50° physical and 45° reflected cutoff for reduced aperture brightness and an unobtrusive ceiling presence.

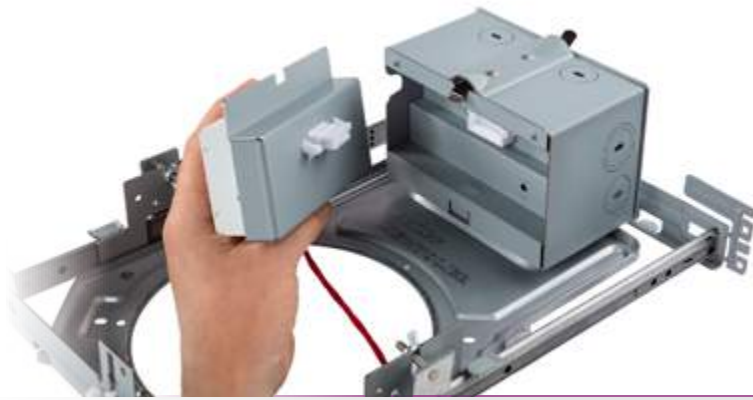


Performance

Calculite LED feature an LED array of high brightness white light LEDs. The LED boards in Calculite LED luminaires ensure a less than 2-step SDCM color variation between luminaires.



Specification-grade



Efficient installation

Lightolier extends downlight excellence through a simplified installation process, with no requirements for specialized tools with installation. The Calculite LED unique three-part system of frame, driver/light engine, and reflector (multiple patents pending) allows you to get the installation started sooner while providing highly configurable solutions to showcase your unique lighting vision.



Future proof

With a fully upgradeable architecture, Calculite LED modular downlights may be conveniently serviced and upgraded at any time without having to access the ceiling.



Architectural appeal

Vetro decorative elements provide simple forms that can be used creatively to meet your design needs and elegant luminaries that are encased glass. This European hand blown glass works to provide the richest and smoothest accent of light to your design space. These decorative elements provide a practical lighting tool in a sophisticated envelope. Vetro's refined design provides a fresh aesthetic to meet your architectural needs.

Calculite 1.75" Micro

round & square apertures



Powerful. Affordable. Versatile.

Calculite LED 1.75" Micro beam spread options for the standard trims are 25°, 30°, 45°, and 50°. Downlights feature 50° and 75° cutoffs and the wall wash option features an integral lens. Micro Vetro decorative elements are optimized for 25° beams.

Features

- Sizes: 1.75"
- Efficacy: up to 85 lm/W
- Lumens: 900
- Wattage: 14W
- Voltage: 120V & 120/277V
- CCT: 2700K-4000K
- CRI: 90 min.
- Dimming: 0-10V, ELV
- 90,700 hour rated life (L90)

Frame/Engine + Trim + Micro Vetro (optional) + Accessories (optional) = complete unit.
Refer to footnotes at the bottom of the page for restrictions.

Frame/Engine



Series/Size	Lumens	Style	CCT/CRI	Installation	Voltage/Dimming
C2L	09	DL		R	
C2L Calculite 1.75-inch	09 900lm	DL Flanged	927K 2700K / 90CRI 930K 3000K / 90CRI 935K 3500K / 90CRI 940K 4000K / 90CRI	R Installs from below	E1 120V / NA UZ10V Universal / 0-10V

Trim



Series/Size	Style	Reflector	Flange
C2L Calculite 1.75-inch round	DL Downlight (50° cutoff) DLLS Downlight (75° cutoff with linear spread lens) LW Lensed wall wash ¹	CCD Comfort clear diffuse CCZ Champagne bronze BK Black (matte) WH White (matte) ¹	P Polished ¹ FT Flangeless ²
C2X2L Calculite 1.75-inch square	DL Downlight (50° cutoff) LW Lensed wall wash ¹	BK Black (matte) WH White (matte) ¹	P Polished ¹ FT Flangeless ²

Comfort clear diffuse reflector is standard.
Compatible with all open and lensed reflectors.
Other finishes are available. Please contact factory.

Micro Vetro

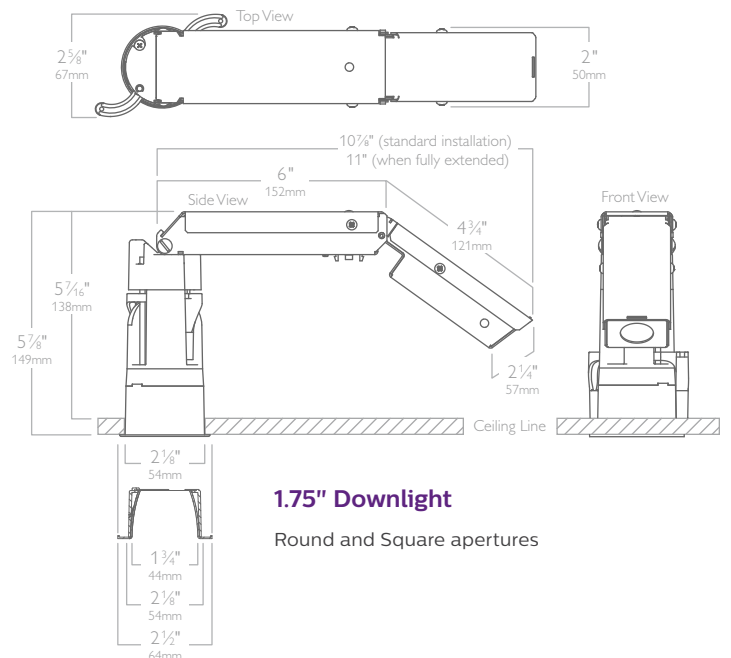


Series/Size	Aperture	Style
D	2L	
D Decorative elements	2L 1.75-inch aperture	RO1 Round acrylic w/alum. insert RO2 Round acrylic RO3 Round glass SO1 Square acrylic SO2 Square glass

Accessories³

C2LIC	IC frame (new construction)
C2LMP	New construction mounting pan
CA2FMR	Round aperture flush-mount mud-in ring
CA2X2FMR	Square aperture flush-mount mud-in ring

1. The 25° beam spread is recommended (A).
 2. Requires flush-mount mud-in ring (CA2FMR or CA2X2FMR).
 3. Recommended for specific applications, see C2L spec sheet for details.
- Note: Calculite LED 1.75" Micro 400lm is also available (see C2L04 spec sheet for details).



Add detail and style to any space with Calculite LED 1.75" aperture downlights and optional Micro Vetro elements.



Comprehensive

 Calculite luminaires

 1.75" Micro

Square acrylic

D2LS01 Micro Vetro decorative element

Square glass

D2LS02 Micro Vetro decorative element

Round acrylic

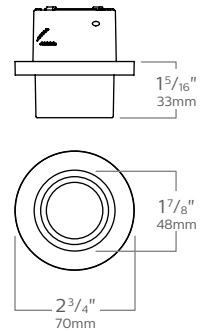
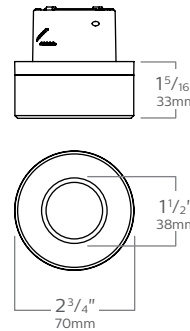
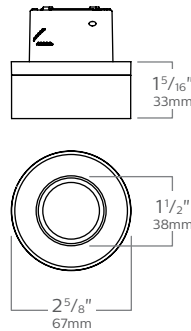
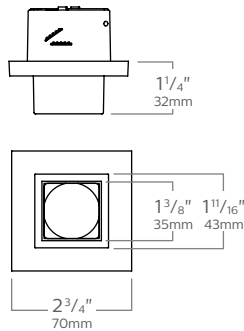
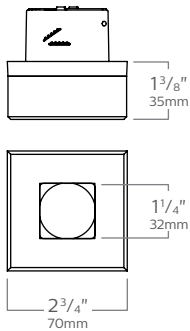
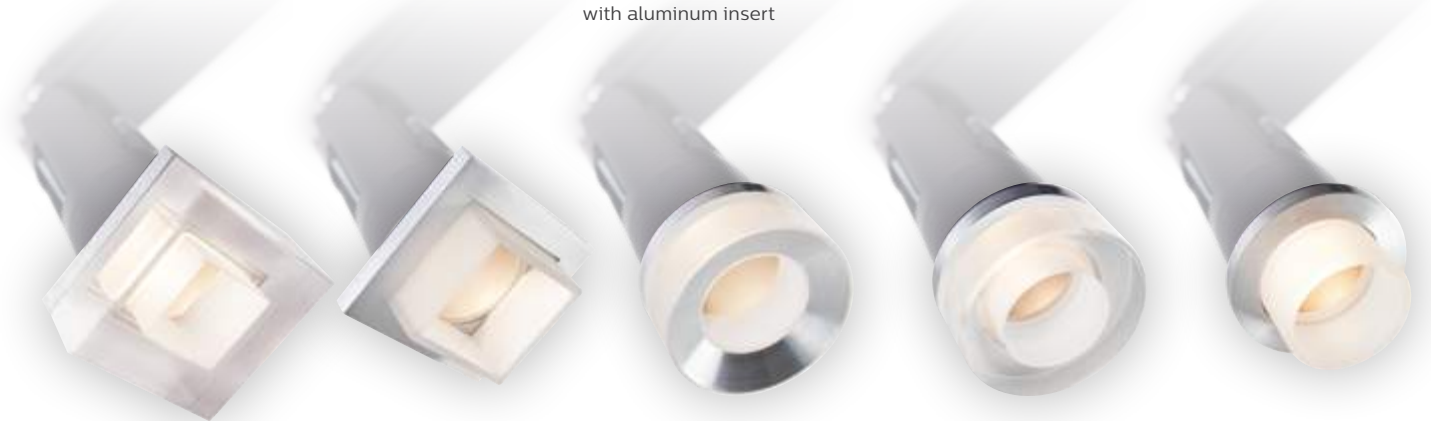
D2LR01 Micro Vetro decorative element with aluminum insert

Round acrylic

D2LR02 Micro Vetro decorative element

Round glass

D2LR03 Micro Vetro decorative element



Specification-grade

Certifications: IC rated for direct contact with thermal insulation. Title 24 rated, cULus listed (UL 1598) for wet locations (covered ceiling only), ENERGY STAR® certified and featuring AirSeal for minimal air leakage.



Calculite 3" Evolution

round apertures

A natural evolution in LED downlighting.

Calculite LED 3" Evolution luminaires are meticulously engineered to provide consistent visual comfort, unsurpassed optical control and extraordinary mechanical precision. Luminaires feature interchangeable optical assemblies providing flexibility in installation for commercial and residential construction.



Adjustable Accent
5^{5/8}" (133 mm)
Trim kit height

Features

- Sizes: 3"
- Efficacy: up to 75 lm/W
- Lumens: 1000
- Wattage: 13 W
- Voltage: 120V & 277V
- CCT: 2700K-4000 K
- CRI: 80 & 90 min.
- Dimming: 0-10V, Lutron, ELV
- 36,000 hour rated life (L70)

Frame + Engine + Trim + Accessories (optional) = complete unit.
Refer to footnotes at the bottom of the page for restrictions.

Frame



Series/Size	Installation	Voltage/Dimming	
C3L	N		
C3L085 Calculite 3-inch	N New construction	Non-IC options	IC-Airseal options (Chicago Plenum)
		1ELV 120V / ELV	1ELVAIC 120V / ELV
		1Z10V 120V / 0-10V	UZ10VAIC Universal / 0-10V
		2Z10V 277V / 0-10V	ULDAIC Universal / Lutron
		1LD 120V / Lutron	
		2LD 277V / Lutron	

Engine



Series/Size	Style	Lumen	CCT	CRI	Optic
C3L		01			
C3L085 Calculite 3-inch	A Adjustable	01 1000lm	27 2700K	8 80CRI	FSP Fresnel spot
	AP Adjustable pinhole		30 3000K	9 90CRI	SP Spot
	DP Downlight pinhole				NF Narrow flood
	LW Lensed wall wash	01 1000lm	27 2700K	8 80CRI	FL Flood
	DL Downlight		30 3000K	9 90CRI	WFL Wide flood

Trim



Series/Size	Style	Beam	Reflector	Flange
C3L				
C3L085 Calculite 3-inch	DL Downlight	N Narrow (30°)	CL Specular clear	W White (matte)
		M Medium (53°)	CCL Comfort clear	P Polished ¹
		W Wide (74°)	CCD Comfort clear diffuse	F Flangeless ²
	A Adjustable	— Medium	CCZ Champagne bronze	
	LW Lensed wall wash		BK Black (matte)	
	AP Adjustable pinhole	— Medium	WH White (matte) ¹	
	DP Downlight pinhole		BK Black (matte)	— White (matte)
			WH White (matte)	F Pinhole flangeless ²
			SA Satin aluminum	

Accessories



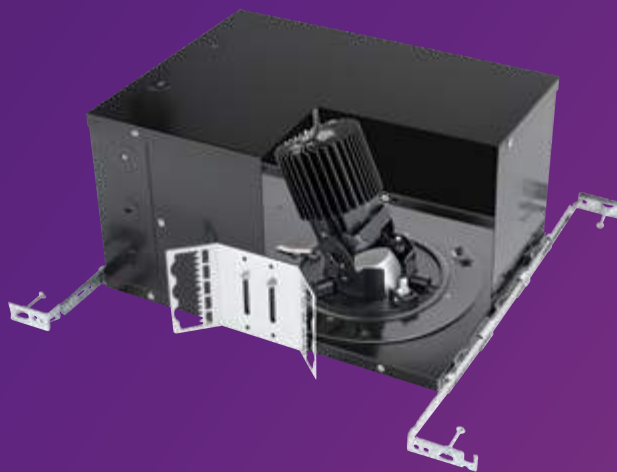
CA3FMRLED 2^{5/8}" dia. mud-in ring for flangeless installs³

1. White (WH) finish is only available with Flangeless (FT) or White (W) flanges.
2. Accessory CA3FMR required for gypsum applications (minimal 1/4" reflector flange).
3. Mud-in ring is for use with optional flush mount flangeless installation (required for gypsum applications).

C3L085N

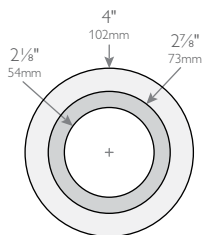
New construction
 Non-IC frame
 (AIC available).

Suitable for air seal, insulated
 ceilings and CCEA requirements)



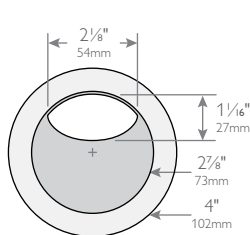
Downlight

6⁵/₈" (168mm) height



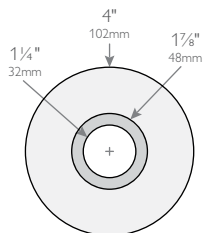
Lensed Wall Wash

5¹/₄" (133mm) height



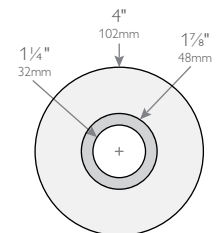
Adjustable Pinhole

5⁵/₈" (143mm) height



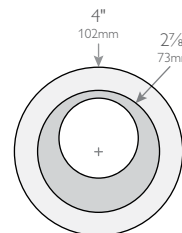
Downlight Pinhole

6¹/₂" (165mm) height



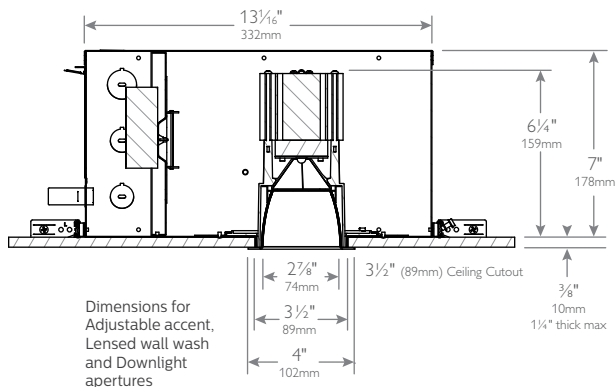
Adjustable Accent

5⁵/₈" (143mm) height

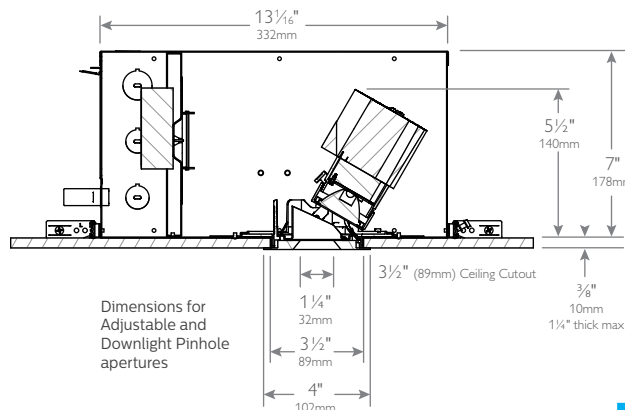


Specification-grade

Downlight dimensions



Adjustable dimensions



Certifications: IC rated for direct contact with thermal insulation. Title 24 rated, cULus listed, ENERGY STAR® certified and featuring AirSeal for minimal air leakage.



Calculite 4" Adjustable accent round apertures

Precision. Performance.

Adjustable accent fixtures provide full 366° horizontal and 40° vertical adjustment for flexibility and accuracy. Available with dimming, and an assortment of finishing reflectors as well as flanges options to complement architecturally demanding spaces.



Cutoff
50° cutoff
from nadir

Adjustable Accent
5 1/4" (133mm)
Trim kit height

Features

- Sizes: 4"
- Efficacy: up to 64 lm/W
- Lumens: 1500, 2200
- Wattage: 27W
- Voltage: 120/277V
- CCT: 2700K-4000K
- CRI: 80 & 90 min.
- Dimming: (see options below)
- 36,000 hour rated life (L70)

Frame + Engine + Trim + Accessories (optional) = complete unit.
Refer to footnotes at the bottom of the page for restrictions.

Frame



Series/Size	Style	Lumen	Installation	Voltage	Dimming/Installation
C4L	A		N	U	
C4L Calculite 4-inch Non-IC	A Adjustable accent	15 1500lm 22 2200lm	N New construction (Non-IC)	U Universal 120/277V	Z10V 0-10V (Non-IC) Z10VAIC 0-10V (AirSeal-IC) LD Lutron (Non-IC) LDAIC Lutron (AirSeal-IC)

Engine



Series/Size	Lumen	Style	CCT	CRI	Optic
C4L	15	A			
C4L Calculite 4-inch Non-IC	15 1500lm	A Adjustable accent	27 2700K 30 3000K 35 3500K ¹ 40 4000K ¹	8 80CRI 9 90CRI ¹	TSP 11° Tight Spot SP 17° Spot NF 22° Narrow Flood FL 29° Flood

Precision optics are available as accessories that can be ordered separately.



Trim

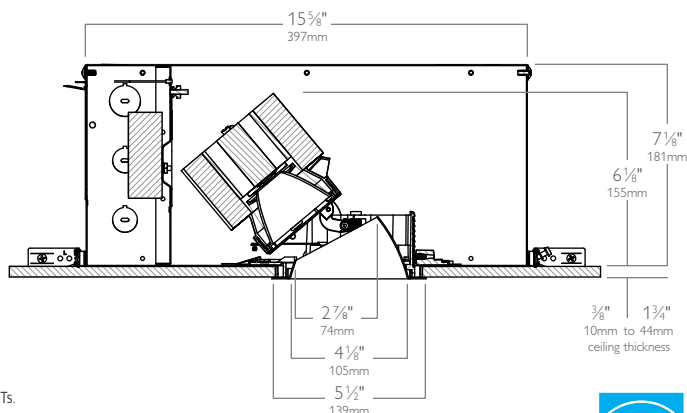


Series/Size	Style	Reflector	Flange
C4L	A		
C4L Calculite 4-inch Non-IC	A Adjustable accent	CL Specular clear CCL Comfort clear CCD Comfort clear diffuse CCZ Champagne bronze ⁶ WH White (matte) ²	W White (matte) P Polished ² F Flangeless ³

Accessories⁵



CA4ATSP	11° Tight Spot
CA4ASP	17° Spot
CA4ANF	22° Narrow Flood
CA4AFL	29° Flood
LLAV11SY	Symmetric Spread film
LLAV11SF	Soft Focus film
LLAV11LS	Linear Spread film
LLAV11FR	Frosted Etched film
CA4DF5	3 1/8" dia. soft focus beam spread filter
LLAHCA11	Hex Cell Louver
CA4FMRLED	4 3/4" dia. mud-in ring for flangeless installs



1. Configurations using 90 CRI (9) are not compatible with 3500K (35K) and 4000K (40K) CCTs.
2. White (WH) finish is only available with Flangeless (FT) or White (W) flanges.
3. Accessory CA4FMR required for gypsum applications (minimal 1/4" reflector flange).
4. Accessories are sold separately and are field replaceable (consult factory for additional accessories).
5. Can not be combined, accessory holder accepts one accessory only.





Comprehensive
.....
Calculite luminaires
.....
4" Adjustable accent
.....

Retail

Calculite LED downlighting



Hospitality

Calculite LED adjustable accent downlighting



Specification - grade

Office

Calculite LED downlighting

Calculite generation 3 family

round & square apertures

Components for building a complete unit.

The Calculite LED unique three-part system of frame, driver/light engine, and trim (along with optional accessory) saves time, money and hassle from start to finish and adds a highly personalized solution to showcase your unique lighting vision.



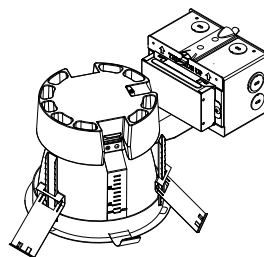
Installation types



Cylinder



New Construction (Non-IC)



Remodeler (Non-IC)



AirSeal (IC)

Light engines



4-inch light engine



6-inch light engine

Decorative elements



Round acrylic with aluminum insert



Round acrylic



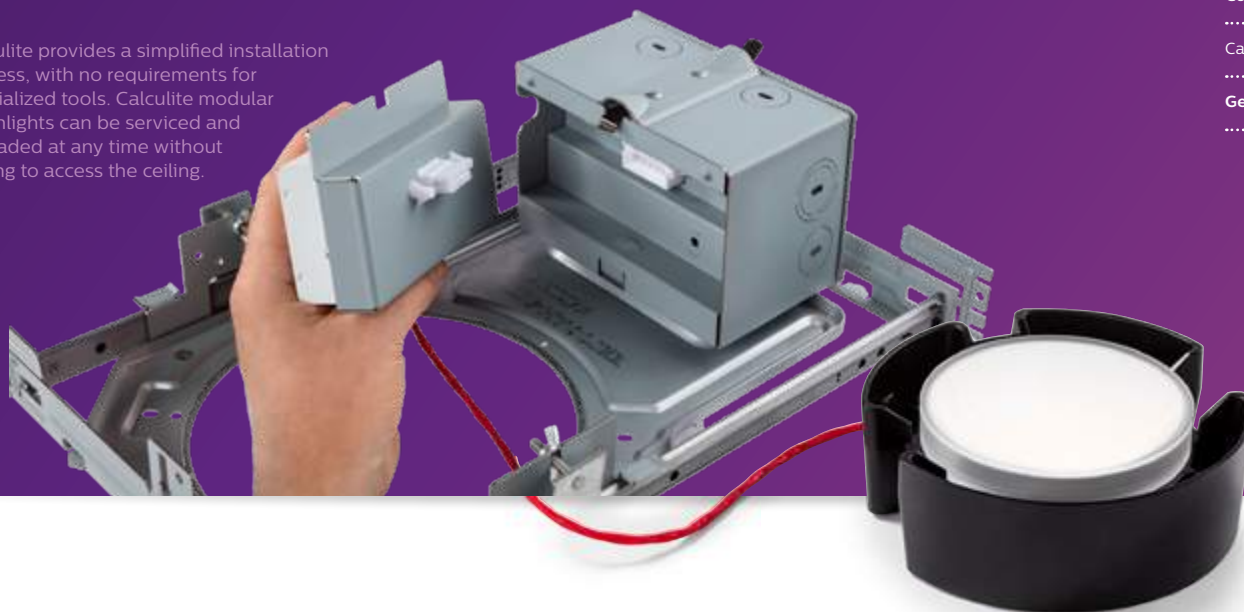
Round angled double opal glass



Round opal glass

Specification-grade

Calculte provides a simplified installation process, with no requirements for specialized tools. Calculte modular downlights can be serviced and upgraded at any time without having to access the ceiling.



Trim types



Round Downlight trim
Narrow beam



Round Downlight trim
Medium beam



Round Downlight trim
Wide beam



Round Shower light trim



Round Open wall wash trim



Round Double wall wash trim



Round Corner wall wash trim



Round Lensed wall wash trim



Square Downlight trim
Narrow/Medium beam



Square Downlight trim
Wide beam



Square Lensed wall wash trim

Built-in adjustable mounting springs allow for installation into thick ceilings with no additional accessories
 Springs can handle ceilings up to 2³/₄" deep.
 Reflector installs into ceiling without difficult long torsion springs or aggressive springs.

Calculite 4"

round & square apertures



Optically sophisticated. Mechanically advanced.

The Calculite LED family is built on a tradition of creating the ideal combination of performance and visual comfort in discreet apertures for a breadth of applications in retail, hospitality, commercial and high-end residential spaces.

Features

- Sizes: 4"
- Efficacy: up to 115 lm/W
- Lumens: 500-3000
- Wattage: 14-15W
- Voltage: 120/277V & 347V
- CCT: 2700K-4000K
- CRI: 80 & 90 min.
- Dimming: (see options below)
- 60,000 hour rated life (L90)

Frame + Engine + Trim + Vetro (optional) + Accessories (optional) = complete unit.
Refer to footnotes at the bottom of the page for restrictions.

Emergency frame option



Frame



Series/Size	Aperture	Installation	Voltage/Option
4	<input type="checkbox"/>	<input type="checkbox"/>	<input type="checkbox"/>
4 4-inch Non-IC	R Round S Square	N New construction (Non-IC) ¹ R Remodeler (Non-IC)	— Universal 120/277V (specify for Power Over Ethernet configurations) 3 347V (not compatible with ELV dimming or Lensed Wall Wash over 2000lm) EM Emergency ^{1,2} LC Chicago Plenum ¹ IP Interact Pro

Engine



Series/Size	Lumen	CRI	CCT	Beam	Dimming	Voltage
C4L	<input type="checkbox"/>	<input type="checkbox"/>	<input type="checkbox"/>	<input type="checkbox"/>	<input type="checkbox"/>	<input type="checkbox"/>
C4L Calculite 4-inch Non-IC	05 500lm ³ 10 1000lm 15 1500lm 20 2000lm 25 2500lm ³ 30 3500lm ³	8 80CRI 9 90CRI	27 2700K 30 3000K 35 3500K 40 4000K	N Narrow (43/45°) M Medium (56/58°) W Wide (70/76°)	Z10 0-10V 1% ³ SOL EldoLED Solo 0-10V 0.1% DMX Digital Multiplexing D Dali L Lutron LDE1 EcoSystem (fade-to-black) E ELV (120V dimming only) ⁴ P Power over Ethernet ⁵	U Universal 120/277/347V 1 Universal 120/277V E Ethernet 48V DC

Trim



Series/Size	Aperture	Style	Beam (square only)	Reflector	Flange
C4L	<input type="checkbox"/>	<input type="checkbox"/>	<input type="checkbox"/>	<input type="checkbox"/>	<input type="checkbox"/>
C4L Calculite 4-inch Non-IC	R Round S Square (DL with N & M beams or LW with M beams)	DL Downlight SL Shower light ⁶ WW Open wall wash CW Corner wall wash ⁷ DW Double wall wash ⁷ LW Lensed wall wash	NM Narrow/Medium W Wide (optional for square lensed wall wash style)	CL Specular clear CC Comfort clear CD Comfort clear diffuse CZ Champagne bronze ⁸ BK Black (matte) ⁸ WH White (matte) ⁹	— White (matte) P Polished ⁹ F Flangeless ⁷

Vetro



Series/Size	Aperture	Style
D	4A	<input type="checkbox"/>
D Decorative elements	4A 4-inch aperture	01 Round acrylic w/alum. insert 02 Round acrylic 03 Round angled dbl opal glass 04 Round opal glass

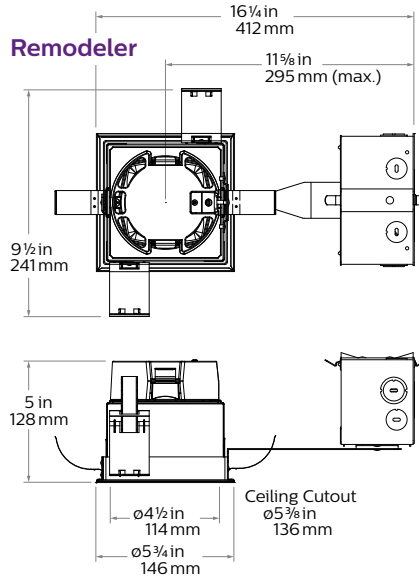
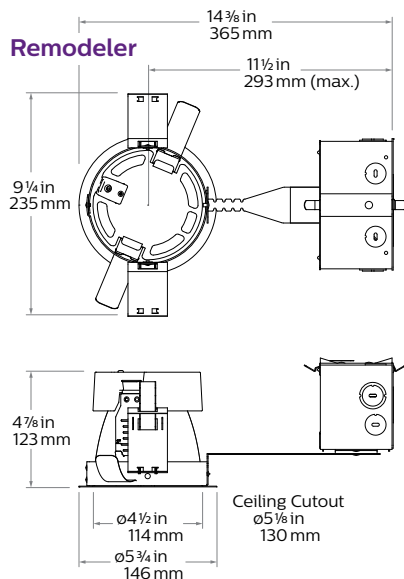
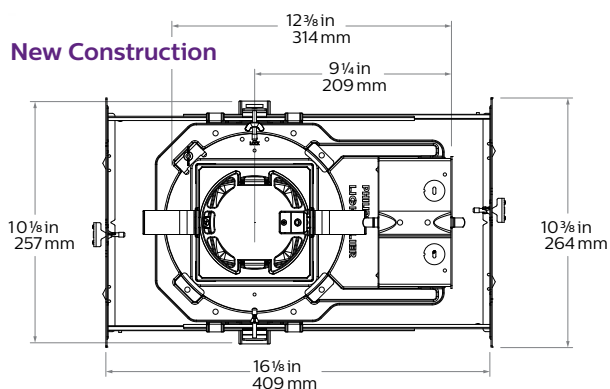
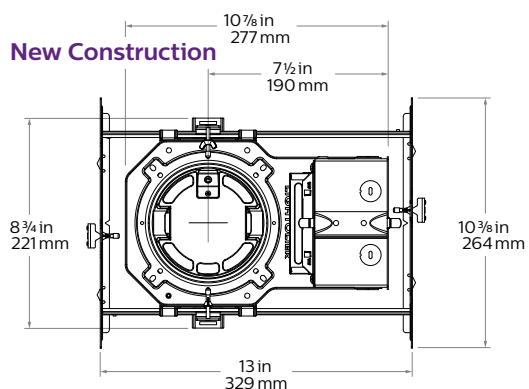
Accessories (compatible with all open and lensed reflectors)

CA4RFT	4-inch Round Mud-in ring (for use with flangeless round installs)
CA4SFT	4-inch Square Mud-in ring (for use with flangeless square installs)
CAEM	Field installable EM pack (not compatible with Power over Ethernet)
AMS	ActiLume multi-sensor (optional accessory for Power over Ethernet)
SWZDT	SpaceWise wireless controller with dwell time functionality ¹⁰
C4RVPWH	Vandal proof (IP65) matte white finish (only mounts to C4LRDL)

1. Emergency (EM) and Chicago Plenum (LC) are only available with New construction (N).
2. Emergency (EM) comes with emergency battery pack and ceiling mountable test switch. Reflector mounted test switch requires above ceiling access. For reflector mounted test switch, order emergency frame and add "EM" suffix to trim (ex: C4RDLCCEM).
3. The 500lm (05) package is only compatible with 0-10V (Z10) dimming and the 2500lm (25) and 3000lm (30) packages have marked spacing requirements (see spec sheets).
4. ELV (E) dimming is only compatible with up to 2000lm (20) lumen configurations.

5. Power over Ethernet (P) is only compatible with 1000 (10) to 2500 (25) lumen configurations.
6. Consists of a round non-conductive flush mount diffuse lens with pre-installed gasket and a matte white non-conductive round flange. Reflector and flange options are not applicable (ex: C4LRSL).
7. Corner (CW) and Double wall wash (DW) styles are not available with Flangeless (F) configurations.
8. Corner (CW) and Double wall wash (DW) styles are not available with Flangeless (F) configurations and Square (S) apertures are only available in Downlight (DL) and Lensed wall wash (LW) styles.
9. White (WH) reflectors are not available with Polished (P) flange configurations.
10. SpaceWise is compatible with all 0-10V configurations (for details see "SWZDT" spec sheet).

Calculte LED 4" gen 3 features industry leading visual comfort, excellent uniform illumination over time, and patented installation flexibility.



Certifications: IC rated for direct contact with thermal insulation. Title 24 rated, cULus listed (UL 1598) for wet locations (covered ceiling only). RoHS compliant, ENERGY STAR® certified.



Calculite 4" Tunable white

round & square apertures



Real world applications, made better.

Calculite LED Tunable white solutions allow the freedom to create different ambiances in a variety of applications. Through a combination of light quality, color, and intensity; they help create environments that can be tailored to occupants' needs and preferences.

Features

- Sizes: 4"
- Efficacy: up to 93 lm/W
- Lumens: 1000-1200
- Wattage: 10-14W
- Voltage: 120/277V & 347V
- CCT: 2700K-6500 K
- CRI: 80 & 90 min.
- Dimming: (see options below)
- 60,000 hour rated life (L90)

Frame + Engine + Trim + Vetro (optional) + Accessories (optional) = complete unit.
Refer to footnotes at the bottom of the page for restrictions.

Frame



Series/Size	Aperture	Installation	Voltage/Option
4			
4 4-inch Non-IC	R Round S Square	N New construction (Non-IC) ¹ R Remodeler (Non-IC)	— Universal 120/277V 3 347V EM Emergency ^{1,2} LC Chicago Plenum ¹
		A AirSeal IC	— Universal 120/277V

Tunable White



See page 27 for dimensions.

Engine



Series/Size	Lumen	CRI	CCT	Beam	Dimming	Voltage	Option
C4L		8	65		D	U	TW
C4L Calculite 4-inch Non-IC	10 1000lm 12 1200lm	8 80CRI	65 6500K to 2700K	M Medium (56°) ³ W Wide (76°) ⁴	D Dali	U Universal 120/277/347V	TW Tunable White

Trim



Series/Size	Aperture	Style	Beam (square only)	Reflector	Flange
C4					
C4 Calculite 4-inch Non-IC	R Round S Square (DL with N & M beams or LW with M beams)	DL Downlight WW Open wall wash ⁵ CW Corner wall wash ⁵ DW Double wall wash ⁵ LW Lensed wall wash ⁵	NM Narrow/Medium W Wide — Wide (optimal for square lensed wall wash style)	CL Specular clear CC Comfort clear CD Comfort clear diffuse CZ Champagne bronze ⁶ BK Black (matte) ⁶ WH White (matte) ⁷	— White (matte) P Polished ⁷ F Flangeless ⁵

Vetro



Series/Size	Aperture	Style
D	4A	
D Decorative elements	4A 4-inch aperture	O1 Round acrylic w/alum. insert O2 Round acrylic O3 Round angled dbl opal glass O4 Round opal glass

Accessories (compatible with all open and lensed reflectors)

CA4RFT	4-inch Round Mud-in ring (for use with flangeless round installs)
CA4SFT	4-inch Square Mud-in ring (for use with flangeless square installs)
CAEM	Field installable EM pack (not compatible with Power over Ethernet)
C4RVPWH	Vandal proof (IP65) matte white finish (only mounts to C4LRDL)

1. Emergency (EM) and Chicago Plenum (LC) are only available with New construction (N).
2. Emergency (EM) comes with emergency battery pack and ceiling mountable test switch. Reflector mounted test switch requires above ceiling access. For reflector mounted test switch, order emergency frame and add "EM" suffix to trim (ex: C4SDLNMCCEM).
3. Medium (M) beam is ideal for Square Lensed Wall Wash (SLW) applications and is actually a Medium (56°) / Wide (76°) beam on Square trims only.

4. Wide (W) beam is ideal for all Round Wall Wash (RLW, RWW, RCW, RDW) applications.
5. Corner (CW) and Double wall wash (DW) styles are not available with Flangeless (F) configurations and Square (S) apertures are only available in Downlight (DL) and Lensed wall wash (LW) styles.
6. Champagne bronze (CZ) and Black (BK) reflectors are not available with Square (S) apertures.
7. White (WH) reflectors are not available with Polished (P) flange configurations.

Certifications: IC rated for direct contact with thermal insulation.
Title 24 rated, cULus listed (UL 1598) for wet locations (covered ceiling only).
RoHS compliant, ENERGY STAR® certified and featuring AirSeal for minimal air leakage.



Calculite 4" Retrofit

round & square apertures

Comprehensive

 Calculite luminaires

 4" Tunable white
 4" Retrofit

Experience the change, see the difference.

Calculite LED retrofit kits are perfect for updating existing installations of previous generation Calculite LED, CFL and incandescent. Remodelers allow for installation into ceilings with existing downlights without the need for access above ceiling.



- ### Features
- Sizes: 4"
 - Efficacy: up to 115 lm/W
 - Lumens: 500-2500
 - Wattage: 14-15W
 - Voltage: 120/277V
 - CCT: 2700K-4000K
 - CRI: 80 & 90 min.
 - Dimming: (see options below)
 - 60,000 hour rated life (L90)

Engine + Trim = complete unit.
 Refer to footnotes at the bottom of the page for restrictions.

Engine



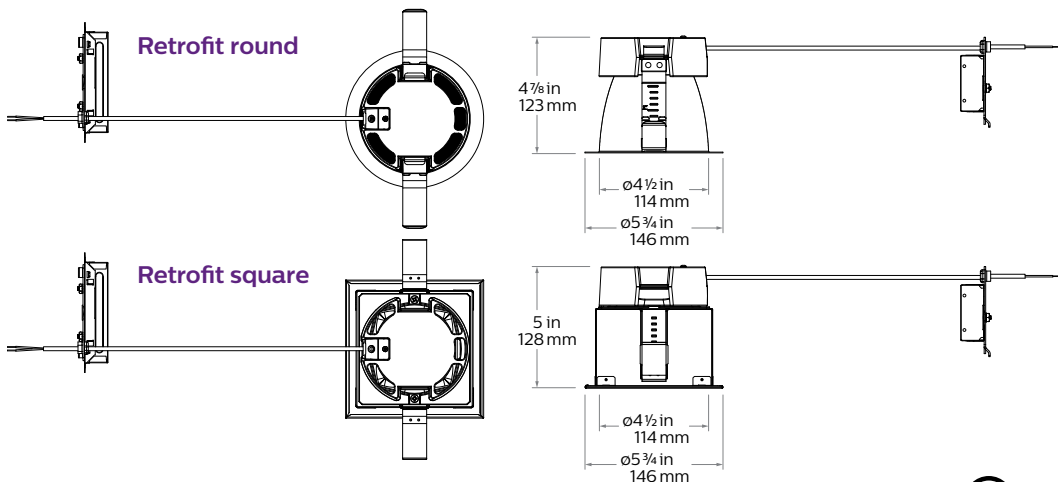
Series/Size	Lumen	CRI	CCT	Beam	Dimming	Voltage	Installation
C4L		8					
C4L Calculite 4-inch Non-IC	5 500lm 10 1000lm 15 1500lm 20 2000lm 25 2500lm	8 80CRI	27 2700K 30 3000K 35 3500K 40 4000K	N Narrow (43/45°) M Medium (56/58°) W Wide (70/76°)	Z10 0-10V 1% E ELV (120V dimming only)	U Universal 120/277V 1 Universal 120/277V	R Retrofit RH Retrofit for tall collar or square frames ¹

Trim



Series/Size	Aperture	Style	Reflector	Flange
C4L				
C4L Calculite 6-inch Non-IC	R Round S Square	DL Downlight WW Open wall wash DLW Downlight (wide beam) LW Lensed wall wash	CL Specular clear CC Comfort clear CD Comfort clear diffuse CZ Champagne bronze ² BK Black (matte) ² WH White (matte) ³	— White (matte) P Polished ³ F Flangeless

1. See C4L spec sheet for different round frame collar height details and dimensions.
 2. Champagne bronze (CZ) and Black (BK) reflectors are not available with Square (S) apertures.
 3. White (WH) reflectors are not available with Polished (P) flange configurations.



Certifications: Title 24 rated, cULus listed (UL 1598) for wet locations (covered ceiling only), RoHS compliant, ENERGY STAR® certified.



Specification-grade

Calculite 4" AirSeal

round & square apertures



Downlight and wall wash

Calculite LED AirSeal housings minimize air leakage to less than 2CFM at 1.57 PSF and reduces heat loss and condensation in ceiling.

Features

- Sizes: 4"
- Efficacy: up to 115 lm/W
- Lumens: 500-2000
- Wattage: 14-15W
- Voltage: 120/277V
- CCT: 2700K-4000K
- CRI: 80 & 90 min.
- Dimming: (see options below)
- 60,000 hour rated life (L90)

Housing + Engine + Trim + Vetro (optional) + Accessories (optional) = complete unit.
Refer to footnotes at the bottom of the page for restrictions.

Housing



Series/ Size	Aperture	Installation	Voltage / Option
4	<input type="checkbox"/>	A	-
4 4-inch Non-IC	R Round S Square	A AirSeal (IC)	- Universal 120/277V

Engine



Series/ Size	Lumen	CRI	CCT	Beam	Dimming	Voltage
C4L	<input type="checkbox"/>	<input type="checkbox"/>	<input type="checkbox"/>	<input type="checkbox"/>	<input type="checkbox"/>	<input type="checkbox"/>
C4L Calculite 4-inch Non-IC	05 500lm ¹ 10 1000lm 15 1500lm	8 80CRI 9 90CRI	27 2700K 30 3000K 35 3500K 40 4000K	N Narrow (43°) M Medium (56°) W Wide (76°) ²	Z10 0-10V 1% ¹ SOL EldoLED Solo 0-10V 0.1% DMX Digital Multiplexing D Dali L Lutron LDE1 EcoSystem (fade-to-black)	U Universal 120/277V
	20 2000lm	8 80CRI 9 90CRI	27 2700K 30 3000K 35 3500K 40 4000K	M Medium (56°) W Wide (76°) ²	E ELV (120V dimming only)	
					1 Universal 120/277V	
					Z10 0-10V 1% SOL EldoLED Solo 0-10V 0.1% DMX Digital Multiplexing	U Universal 120/277V
					E ELV (120V dimming only)	
					1 Universal 120/277V	

Trim



Series/ Size	Aperture	Style	Beam (square only)	Reflector	Flange
C4L	<input type="checkbox"/>	<input type="checkbox"/>	<input type="checkbox"/>	<input type="checkbox"/>	<input type="checkbox"/>
C4L Calculite 4-inch Non-IC	R Round S Square (DL with N & M beams or LW with M beams)	DL Downlight	NM Narrow/Medium W Wide	CL Specular clear CC Comfort clear CD Comfort clear diffuse CZ Champagne bronze ⁴ BK Black (matte) ⁴ WH White (matte) ⁵	- White (matte) P Polished ⁵ F Flangeless ³
		WW Open wall wash ³ CW Corner wall wash ³ DW Double wall wash ³ LW Lensed wall wash ³	- Medium (only available in square lensed wall wash style)		

Vetro



Series/ Size	Aperture	Style
D	4A	<input type="checkbox"/>
D Decorative elements	4A 4-inch aperture	01 Round acrylic w/alum. insert 02 Round acrylic 03 Round angled dbl opal glass 04 Round opal glass

Accessories (compatible with all open and lensed reflectors)

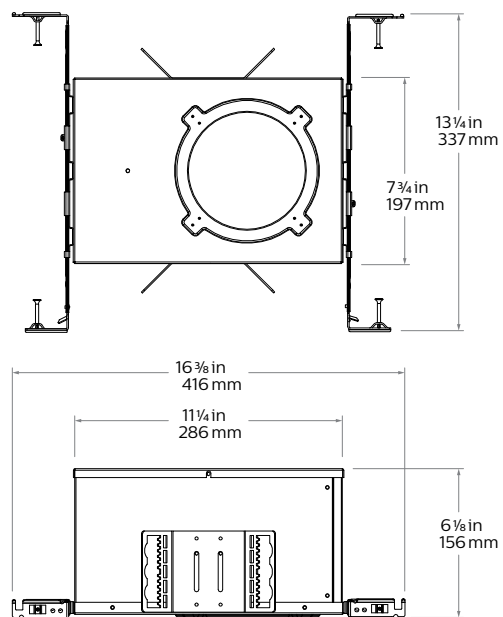
- CA4RFT** 4-inch Round Mud-in ring (for use with flangeless round installs)
- CA4SFT** 4-inch Square Mud-in ring (for use with flangeless square installs)

1. The 500lm (05) package is only compatible with 0-10V (Z10) dimming.
2. Wide (W) beam is ideal for all Round Wall Wash (RLW, RWW, RCW, RDW) applications.
3. Corner (CW) and Double wall wash (DW) styles are not available with Flangeless (F) configs and Square (S) apertures are only available in Downlight (DL) and Lensed wall wash (LW) styles.

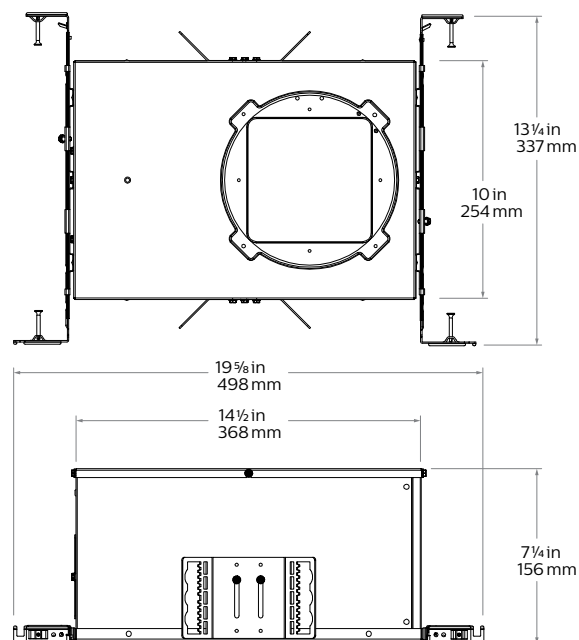
4. Champagne bronze (CZ) and Black (BK) reflectors are not available with Square (S) apertures.
5. White (WH) reflectors are not available with Polished (P) flange configurations.



AirSeal / Chicago Plenum round



AirSeal / Chicago Plenum square



Specification-grade

Certifications: IC rated for direct contact with thermal insulation.
 Title 24 rated, cULus listed (UL 1598) for wet locations (covered ceiling only).
 RoHS compliant, ENERGY STAR® certified and featuring AirSeal for minimal air leakage.



Calculite 6"

round & square apertures

Optically sophisticated. Mechanically advanced.

The Calculite LED family is built on a tradition of creating the ideal combination of performance and visual comfort in discreet apertures for a breadth of applications in retail, hospitality, commercial and high-end residential spaces.



Features

- Sizes: 6"
- Efficacy: up to 115 lm/W
- Lumens: 1000-6000
- Wattage: 21-57W
- Voltage: 120/277V & 347V
- CCT: 2700K-4000K
- CRI: 80 & 90 min.
- Dimming: (see options below)
- 60,000 hour rated life (L90)

Frame + Engine + Trim + Vetro (optional) + Accessories (optional) = complete unit.
Refer to footnotes at the bottom of the page for restrictions.

Emergency frame option



Frame



Series/Size	Aperture	Installation	Voltage/Option
6	<input type="checkbox"/>	<input type="checkbox"/>	<input type="checkbox"/>
6 6-inch Non-IC	R Round S Square	N New construction (Non-IC) ¹ R Remodeler (Non-IC)	— Universal 120/277V (specify for Power Over Ethernet configurations) 3 347V (not compatible with ELV dimming or Lensed Wall Wash over 2000lm) EM Emergency ^{1,2} LC Chicago Plenum ¹ IP Interact Pro

Engine



Series/Size	Lumen	CRI	CCT	Beam	Dimming	Voltage
C6L	<input type="checkbox"/>	<input type="checkbox"/>	<input type="checkbox"/>	<input type="checkbox"/>	<input type="checkbox"/>	<input type="checkbox"/>
C6L Calculite 6-inch Non-IC	10 1000lm 15 1500lm 20 2000lm 25 2500lm 35 3500lm 48 4800lm ³ 60 6000lm ³	8 80CRI 9 90CRI	27 2700K 30 3000K 35 3500K 40 4000K	N Narrow (38/40") M Medium (55") W Wide (68/72")	Z10 0-10V 1% ³ SOL EldoLED Solo 0-10V 0.1% DMX Digital Multiplexing D Dali L Lutron LDE1 EcoSystem (fade-to-black) E ELV (120V dimming only) ⁴ P Power over Ethernet ⁵	U Universal 120/277/347V 1 Universal 120/277V E Ethernet 48V DC

Trim



Series/Size	Aperture	Style	Beam (square only)	Reflector	Flange
C6L	<input type="checkbox"/>	<input type="checkbox"/>	<input type="checkbox"/>	<input type="checkbox"/>	<input type="checkbox"/>
C6L Calculite 6-inch Non-IC	R Round S Square (DL with N & M beams or LW with M beams)	DL Downlight SL Shower light ⁶ WW Open wall wash ⁷ CW Corner wall wash ⁷ DW Double wall wash ⁷ LW Lensed wall wash ⁷	NM Narrow/Medium W Wide (choose W beam above optimal for all wall wash styles)	CL Specular clear CC Comfort clear CD Comfort clear diffuse CZ Champagne bronze ⁸ BK Black (matte) ⁸ WH White (matte) ⁹	— White (matte) P Polished ⁹ F Flangeless ⁷

Vetro



Series/Size	Aperture	Style
D	6A	<input type="checkbox"/>
D Decorative elements	6A 6-inch aperture	01 Round acrylic w/alum. insert 02 Round acrylic 03 Round angled dbl opal glass 04 Round opal glass

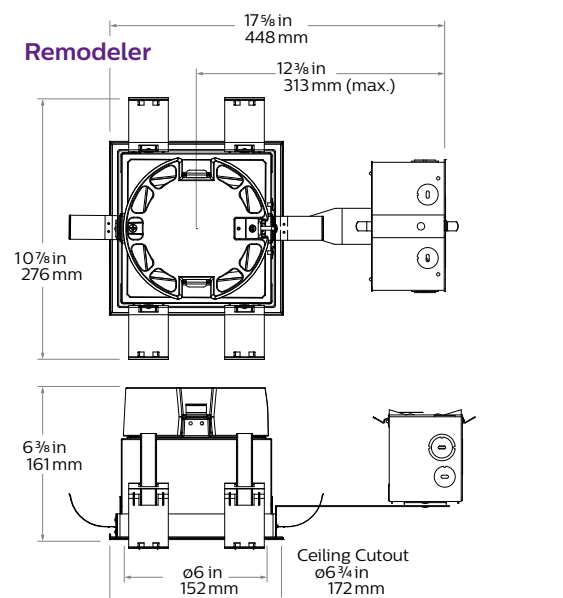
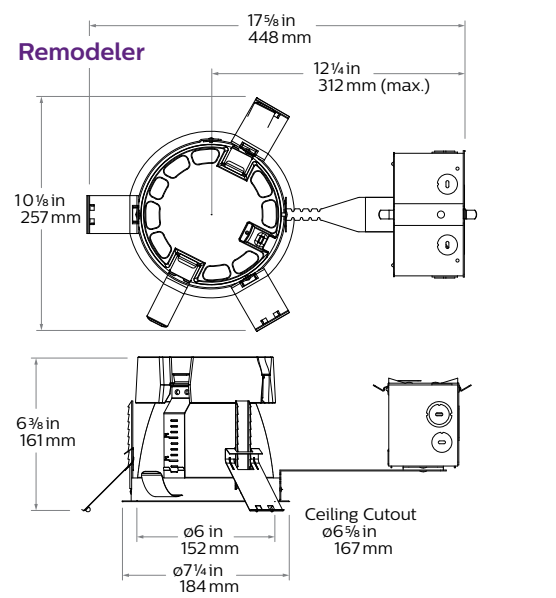
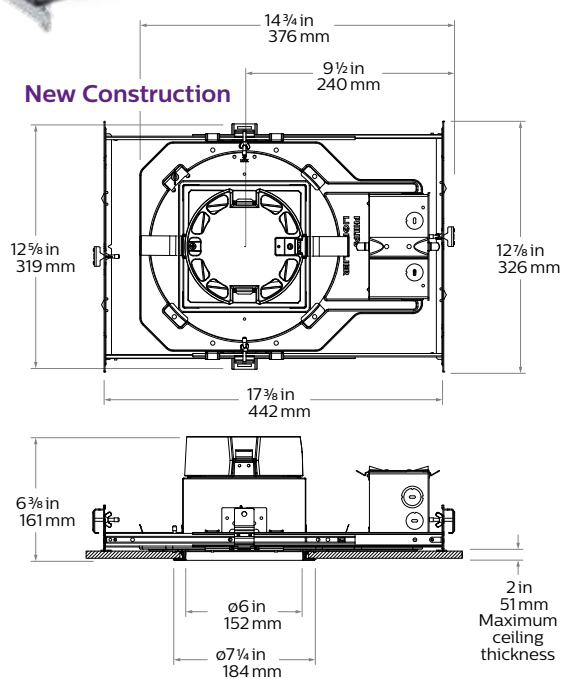
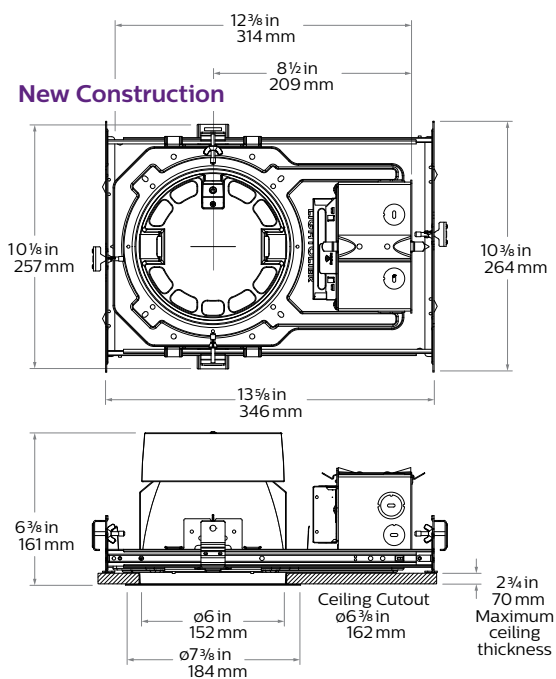
Accessories (compatible with all open and lensed reflectors)

CA6RFT	6-inch Round Mud-in ring (for use with flangeless round installs)
CA6SFT	6-inch Square Mud-in ring (for use with flangeless square installs)
CAEM	Field installable EM pack (not compatible with Power over Ethernet)
AMS	ActiLume multi-sensor (optional accessory for Power Over Ethernet)
SWZDT	SpaceWise wireless controller with dwell time functionality ¹⁰
C6RVPWH	Vandal proof (IP65) matte white finish (only mounts to C6LRDL)

- Emergency (EM) and Chicago Plenum (LC) are only available with New construction (N).
- Emergency (EM) comes with emergency battery pack and ceiling mountable test switch. Reflector mounted test switch requires above ceiling access. For reflector mounted test switch, order emergency frame and add "EM" suffix to trim (ex: C6RDLCCEM).
- The 4800lm (48) and 6000lm (60) lumen packages are only available with 0-10V (Z10) dimming and have marked spacing requirements (see spec sheets).
- ELV (E) dimming is only compatible with up to 2500lm (25) lumen configurations.

- Power over Ethernet (P) is only compatible with 1000 (10) to 2500 (25) lumen configurations.
- Consists of a round non-conductive flush mount diffuse lens with pre-installed gasket and a matte white non-conductive round flange. Reflector and flange options are not applicable (ex: C6LRSL).
- Corner (CW) and Double wall wash (DW) styles are not available with Flangeless (F) configurations and Square (S) apertures are only available in Downlight (DL) and Lensed wall wash (LW) styles.
- Champagne bronze (CZ) and Black (BK) reflectors are not available with Square (S) apertures.
- White (WH) reflectors are not available with Polished (P) flange configurations.
- SpaceWise is compatible with all 0-10V configurations (for details see "SWZDT" spec sheet).

Calculite LED 6" gen 3 features industry leading visual comfort, excellent uniform illumination over time, and patented installation flexibility.



Certifications: IC rated for direct contact with thermal insulation. Title 24 rated, cULus listed (UL 1598) for wet locations (covered ceiling only). RoHS compliant, ENERGY STAR® certified.



Calculite 6" Tunable white

round & square apertures



Real world applications, made better.

Calculite LED Tunable white solutions allow the freedom to create different ambiances in a variety of applications. Through a combination of light quality, color, and intensity; they help create environments that can be tailored to occupants' needs and preferences.

Features

- Sizes: 6"
- Efficacy: up to 108 lm/W
- Lumens: 1000-2500
- Wattage: 19-21W
- Voltage: 120/277V & 347V
- CCT: 2700K-6500K
- CRI: 80 & 90 min.
- Dimming: (see options below)
- 60,000 hour rated life (L90)

Frame + Engine + Trim + Vetro (optional) + Accessories (optional) = complete unit.
Refer to footnotes at the bottom of the page for restrictions.

Frame



Series/Size	Aperture	Installation	Voltage/Option
6			
6 6-inch Non-IC	R Round S Square	N New construction (Non-IC) ¹ R Remodeler (Non-IC)	— Universal 120/277V 3 347V EM Emergency ^{1,2} LC Chicago Plenum ¹
		A AirSeal IC	— Universal 120/277V

Tunable White



See page 25 for dimensions.

Engine



Series/Size	Lumen	CRI	CCT	Beam	Dimming	Voltage	Option
C6L		8	65		D	U	TW
C6L Calculite 6-inch Non-IC	10 1000lm 15 1500lm 20 2000lm 25 2500lm	8 80CRI	65 6500K to 2700K	M Medium (56°) ³ W Wide (76/78°) ⁴	D Dali	U Universal 120/277/347V	TW Tunable White

Trim



Series/Size	Aperture	Style	Beam (square only)	Reflector	Flange
C6					
C6 Calculite 6-inch Non-IC	R Round S Square (DL with N & M beams or LW with M beams)	DL Downlight WW Open wall wash ⁵ CW Corner wall wash ⁵ DW Double wall wash ⁵ LW Lensed wall wash ⁵	NM Narrow/Medium W Wide — Wide (optimal for square lensed wall wash style)	CL Specular clear CC Comfort clear CD Comfort clear diffuse CZ Champagne bronze ⁶ BK Black (matte) ⁶ WH White (matte) ⁷	— White (matte) P Polished ⁷ F Flangeless ⁵

Vetro



Series/Size	Aperture	Style
D	6A	
D Decorative elements	6A 6-inch aperture	01 Round acrylic w/alum. insert 02 Round acrylic 03 Round angled dbl opal glass 04 Round opal glass

Accessories (compatible with all open and lensed reflectors)

CA6RFT	6-inch Round Mud-in ring (for use with flangeless round installs)
CA6SFT	6-inch Square Mud-in ring (for use with flangeless square installs)
CAEM	Field installable EM pack (not compatible with Power over Ethernet)
C6RVPWH	Vandal proof (IP65) matte white finish (only mounts to C6LRDL)

1. Emergency (EM) and Chicago Plenum (LC) are only available with New construction (N).
2. Emergency (EM) comes with emergency battery pack and ceiling mountable test switch. Reflector mounted test switch requires above ceiling access. For reflector mounted test switch, order emergency frame and add "EM" suffix to trim (ex: C6SDLNMCCEM).
3. Medium (M) beam is ideal for Square Lensed Wall Wash (SLW) applications and is actually a Medium (56°)/Wide (78°) beam on Square trims only.

4. Wide (W) beam is ideal for all Round Wall Wash (RLW, RWW, RCW, RDW) applications.
5. Corner (CW) and Double wall wash (DW) styles are not available with Flangeless (F) configurations and Square (S) apertures are only available in Downlight (DL) and Lensed wall wash (LW) styles.
6. Champagne bronze (CZ) and Black (BK) reflectors are not available with Square (S) apertures.
7. White (WH) reflectors are not available with Polished (P) flange configurations.

Certifications: IC rated for direct contact with thermal insulation. Title 24 rated, cULus listed (UL 1598) for wet locations (covered ceiling only). RoHS compliant, ENERGY STAR® certified and featuring AirSeal for minimal air leakage.



Calculite 6" Retrofit

round & square apertures

Comprehensive

 Calculite luminaires

6" Tunable white
6" Retrofit

Experience the change, see the difference.

Calculite LED retrofit kits are perfect for updating existing installations of previous generation Calculite LED, CFL and incandescent. Remodelers allow for installation into ceilings with existing downlights without the need for access above ceiling.



- ### Features
- Sizes: 6"
 - Efficacy: up to 102 lm/W
 - Lumens: 1000-3500
 - Wattage: 21-24W
 - Voltage: 120/277V
 - CCT: 2700K-4000K
 - CRI: 80 & 90 min.
 - Dimming: (see options below)
 - 60,000 hour rated life (L90)

Engine + Trim = complete unit.
 Refer to footnotes at the bottom of the page for restrictions.

Engine



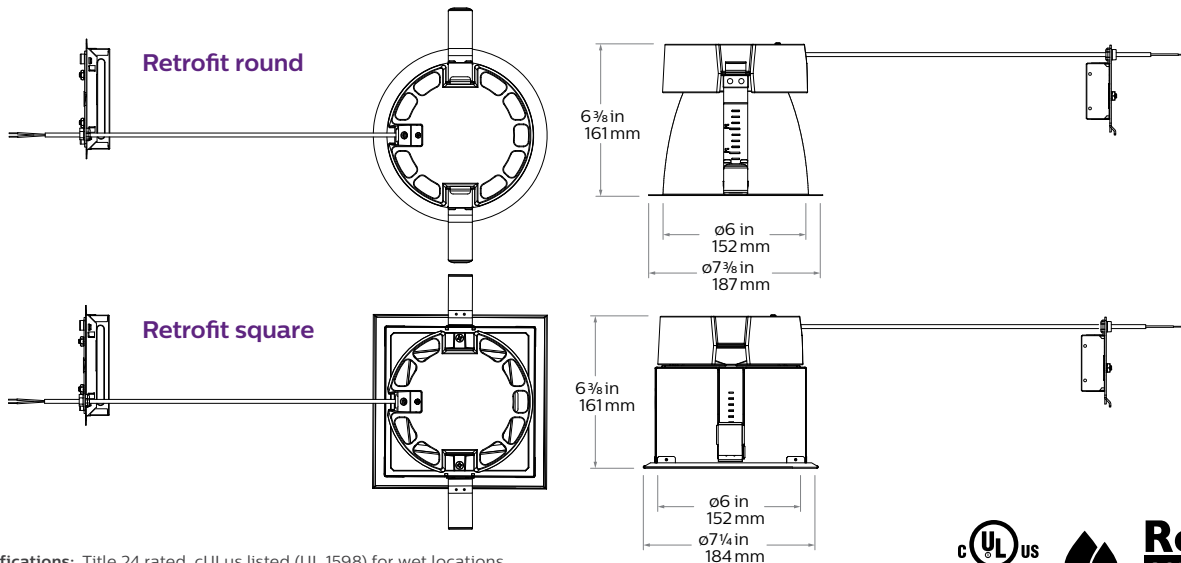
Series/Size	Lumen	CRI	CCT	Beam	Dimming	Voltage	Installation
C6L		8					R
C6L Calculite 6-inch Non-IC	10 1000lm	8 80CRI	27 2700K	M Medium (55°)	Z10 0-10V 1%	U Universal 120/277V	R Retrofit
	15 1500lm		30 3000K				
	20 2000lm		W Wide (72°)	E ELV (120V dimming only)	1 Universal 120/277V		
	25 2500lm						
	35 3500lm					40 4000K	

Trim



Series/Size	Aperture	Style	Reflector	Flange
C6L	R			
C6L Calculite 6-inch Non-IC	R Round	DL Downlight	CL Specular clear	— White (matte)
		WW Open wall wash	CC Comfort clear	P Polished ²
	S Square	DLW Downlight (wide beam)	CD Comfort clear diffuse	F Flangeless
		LW Lensed wall wash	CZ Champagne bronze ¹	
			BK Black (matte) ¹	
			WH White (matte) ²	

1. Champagne bronze (CZ) and Black (BK) reflectors are not available with Square (S) apertures.
 2. White (WH) reflectors are not available with Polished (P) flange configurations.



Certifications: Title 24 rated, cULus listed (UL 1598) for wet locations (covered ceiling only), RoHS compliant, ENERGY STAR® certified.



Specification-grade

Calculite 6" AirSeal

round & square apertures



Downlight and wall wash

Calculite LED AirSeal housings minimize air leakage to less than 2CFM at 1.57 PSF and reduces heat loss and condensation in ceiling.

Features

- Sizes: 6"
- Efficacy: up to 115 lm/W
- Lumens: 1000-3500
- Wattage: 19-36 W
- Voltage: 120/277V
- CCT: 2700K-4000 K
- CRI: 80 & 90 min.
- Dimming: (see options below)
- 60,000 hour rated life (L90)

Housing + Engine + Trim + Vetro (optional) + Accessories (optional) = complete unit.
Refer to footnotes at the bottom of the page for restrictions.

Housing



Series / Size	Aperture	Installation	Voltage / Option
6	<input type="checkbox"/>	A	-
6 6-inch Non-IC	R Round S Square	A AirSeal (IC)	- Universal 120/277V

Engine



Series / Size	Lumen	CRI	CCT	Beam	Dimming	Voltage
C6L	<input type="checkbox"/>	<input type="checkbox"/>	<input type="checkbox"/>	<input type="checkbox"/>	<input type="checkbox"/>	<input type="checkbox"/>
C6L Calculite 6-inch Non-IC	10 1000lm	8 80CRI	27 2700K	N Narrow (40°)	Z10 0-10V 1% SOL EldoLED Solo 0-10V 0.1% DMX Digital Multiplexing	U Universal 120/277V
	15 1500lm	9 90CRI	30 3000K	M Medium (55°) ¹	D Dali	
	20 2000lm		35 3500K	W Wide (72°) ²	L Lutron LDE1 EcoSystem (fade-to-black)	
	25 2500lm		40 4000K		E ELV (120V dimming only)	1 Universal 120/277V
	35 3500lm	8 80CRI	27 2700K	M Medium (55°) ¹	Z10 0-10V 1% SOL EldoLED Solo 0-10V 0.1% DMX Digital Multiplexing	U Universal 120/277V
		9 90CRI	30 3000K	W Wide (72°) ²		
			35 3500K			
			40 4000K			

Trim



Series / Size	Aperture	Style	Beam (square only)	Reflector	Flange
C6L	<input type="checkbox"/>	<input type="checkbox"/>	<input type="checkbox"/>	<input type="checkbox"/>	<input type="checkbox"/>
C6L Calculite 6-inch Non-IC	R Round	DL Downlight	NM Narrow/Medium	CL Specular clear	- White (matte)
	S Square (DL with N & M beams or LW with M beams)	WW Open wall wash ³ CW Corner wall wash ³ DW Double wall wash ³ LW Lensed wall wash ³	W Wide	CC Comfort clear CD Comfort clear diffuse CZ Champagne bronze ⁴ BK Black (matte) ⁴ WH White (matte) ⁵	P Polished ⁵ F Flangeless ³
			- Medium (only available in square lensed wall wash style)		

Vetro



Series / Size	Aperture	Style
D	6A	<input type="checkbox"/>
D Decorative elements	6A 6-inch aperture	01 Round acrylic w/alum. insert 02 Round acrylic 03 Round angled dbl opal glass 04 Round opal glass

Accessories (compatible with all open and lensed reflectors)

CA6RFT	6-inch Round Mud-in ring (for use with flangeless round installs)
CA6SFT	6-inch Square Mud-in ring (for use with flangeless square installs)
SWZDT	SpaceWise wireless controller with dwell time functionality ⁶

1. Medium (M) beam is ideal for Square Lensed Wall Wash (SLW) applications and is actually a Medium (55°)/Wide (72°) beam on Square trims only.
2. Wide (W) beam is ideal for all Round Wall Wash (RLW, RWW, RCW, RDW) applications.
3. Corner (CW) and Double wall wash (DW) styles are not available with Flangeless (F) configs and Square (S) apertures are only available in Downlight (DL) and Lensed wall wash (LW) styles.

4. Champagne bronze (CZ) and Black (BK) reflectors are not available with Square (S) apertures.
5. White (WH) reflectors are not available with Polished (P) flange configurations.
6. SpaceWise is compatible with all 0-10V configurations (for details see "SWZDT" spec sheet).



Downlight trim

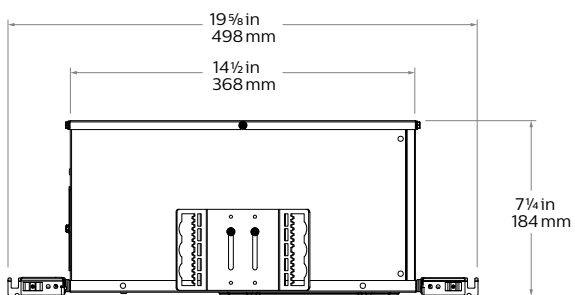
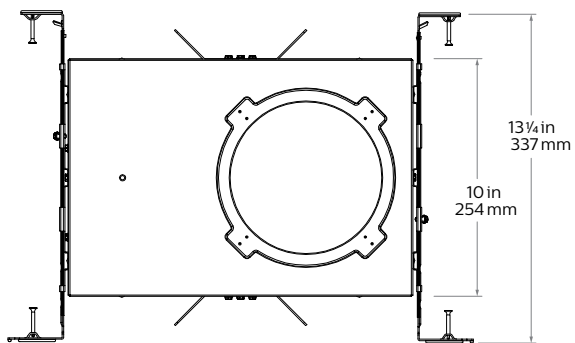
Open wall wash trim

Double wall wash trim

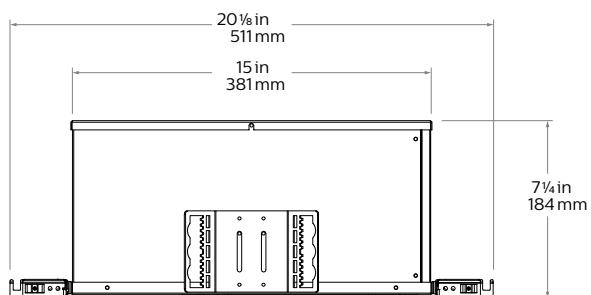
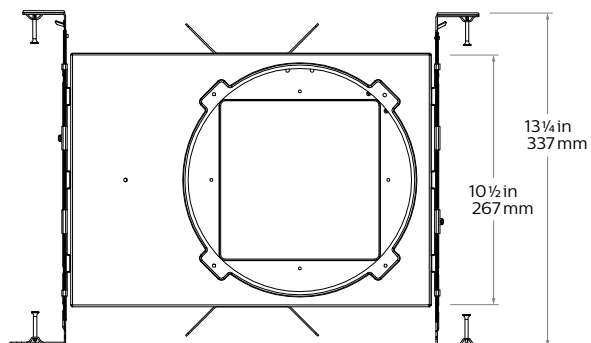
Corner wall wash trim

Lensed wall wash trim

AirSeal / Chicago Plenum round



AirSeal / Chicago Plenum square



Specification-grade

Certifications: IC rated for direct contact with thermal insulation.
 Title 24 rated, cULus listed (UL 1598) for wet locations (covered ceiling only).
 RoHS compliant, ENERGY STAR® certified and featuring AirSeal for minimal air leakage.



Calculite 7"

round apertures

Optically sophisticated. Mechanically advanced.

The Calculite LED family is built on a tradition of creating the ideal combination of performance and visual comfort in discreet apertures for a breadth of applications in retail, hospitality, commercial and high-end residential spaces.



Features

- Sizes: 7"
- Efficacy: up to 118 lm/W
- Lumens: 1000-6000
- Wattage: 21-57W
- Voltage: 120/277V & 347V
- CCT: 2700K-4000K
- CRI: 80 & 90 min.
- Dimming: (see options below)
- 60,000 hour rated life (L90)

Frame + Engine + Trim + Vetro (optional) + Accessories (optional) = complete unit.
Refer to footnotes at the bottom of the page for restrictions.

Emergency frame option



Frame



Series/Size	Aperture	Installation	Voltage/Option
7	R	<input type="checkbox"/>	<input type="checkbox"/>
7 7-inch Non-IC	R Round	N New construction (Non-IC) R Remodeler (Non-IC)	— Universal 120/277V (specify for Power Over Ethernet configurations) 3 347V (not compatible with ELV dimming or Lensed Wall Wash over 2000lm) EM Emergency ^{1,2} LC Chicago Plenum ¹ IP Interact Pro

Engine



Series/Size	Lumen	CRI	CCT	Beam	Dimming	Voltage
C6L	<input type="checkbox"/>	<input type="checkbox"/>	<input type="checkbox"/>	<input type="checkbox"/>	<input type="checkbox"/>	<input type="checkbox"/>
C6L Calculite 6-inch Non-IC	10 1000lm 15 1500lm 20 2000lm 25 2500lm 35 3500lm 48 4800lm ³ 60 6000lm ³	8 80CRI 9 90CRI	27 2700K 30 3000K 35 3500K 40 4000K	N Narrow (40°) M Medium (55°) W Wide (72°)	Z10 0-10V 1% ³ SOL EldoLED Solo 0-10V 0.1% DMX Digital Multiplexing D Dali L Lutron LDE1 EcoSystem (fade-to-black) E ELV (120V dimming only) ⁴ P Power over Ethernet ⁵	U Universal 120/277/347V 1 Universal 120/277V E Ethernet 48V DC

Trim



Series/Size	Aperture	Style	Beam (match above)	Reflector	Flange
C7L	R	<input type="checkbox"/>	<input type="checkbox"/>	<input type="checkbox"/>	<input type="checkbox"/>
C7L Calculite 7-inch Non-IC	R Round	DL Downlight WW Open wall wash CW Corner wall wash ⁶ DW Double wall wash ⁶ LW Lensed wall wash	NM Narrow/Medium W Wide — Wide (choose W beam above optimal for all wall wash styles)	CL Specular clear CC Comfort clear CD Comfort clear diffuse CZ Champagne bronze BK Black (matte) WH White (matte) ⁷	— White (matte) P Polished ⁷ F Flangeless ⁶

Accessories (compatible with all open and lensed reflectors)

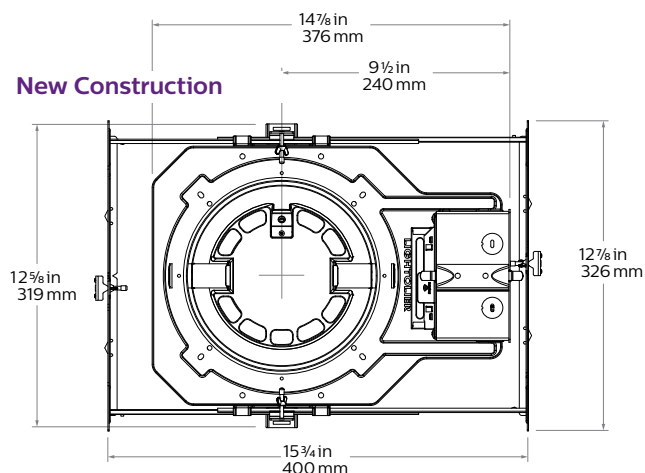
CA7RFT	7-inch Round Mud-in ring (for use with flangeless round installs)
CAEM	Field installable EM pack (not compatible with Power over Ethernet)
AMS	ActiLume multi-sensor (optional accessory for Power Over Ethernet)
SWZDT	SpaceWise wireless controller with dwell time functionality ⁸

1. Emergency (EM) and Chicago Plenum (LC) are only available with New construction (N).
2. Emergency (EM) comes with emergency battery pack and ceiling mountable test switch. Reflector mounted test switch requires above ceiling access. For reflector mounted test switch, order emergency frame and add "EM" suffix to trim (ex: C7RDLCCEM).
3. The 4800lm (48) and 6000lm (60) lumen packages are only available with 0-10V (Z10) dimming and have marked spacing requirements (see spec sheets).
4. ELV (E) dimming is only compatible with up to 2500lm (25) lumen configurations.
5. Power over Ethernet (P) is only compatible with 1000 (10) to 2500 (25) lumen configurations.
6. Corner (CW) and Double wall wash (DW) styles are not available with Flangeless (F) configurations.
7. White (WH) reflectors are not available with Polished (P) flange configurations.
8. SpaceWise is compatible with all 0-10V configurations (for details see "SWZDT" spec sheet).

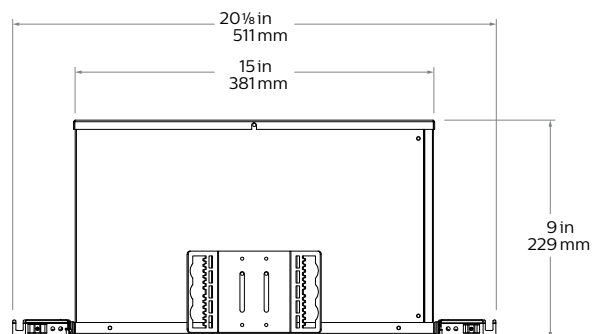
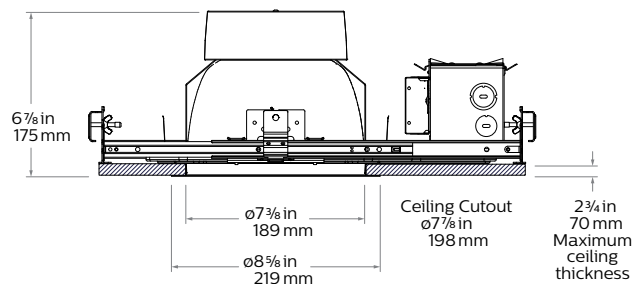
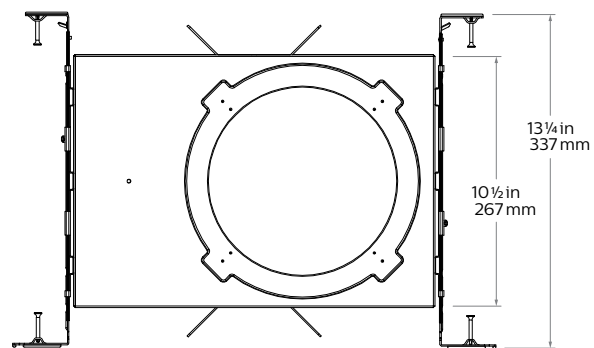
Calculte LED 7" gen 3 features industry leading visual comfort, excellent uniform illumination over time, and patented installation flexibility.



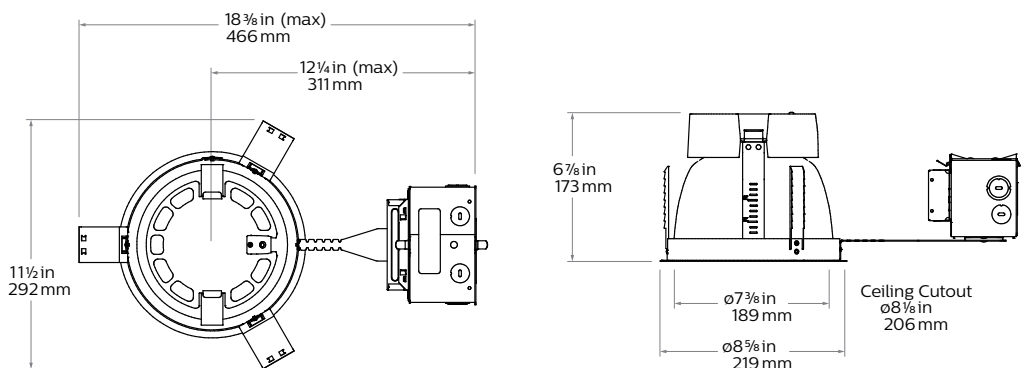
New Construction



Chicago Plenum



Remodeler



Certifications: IC rated for direct contact with thermal insulation. Title 24 rated, cULus listed (UL 1598) for wet locations (covered ceiling only). RoHS compliant, ENERGY STAR® certified and featuring AirSeal for minimal air leakage.





Office

Calculite LED downlighting and cylinders



Specification-grade

Commercial

Calculite LED downlighting



Retail

Calculite LED downlighting

Calculite 7" Retrofit

round apertures

Comprehensive

 Calculite luminaires

7" Retrofit

Experience the change, see the difference.

Calculite LED retrofit kits are perfect for updating existing installations of previous generation Calculite LED, CFL and incandescent. Remodelers allow for installation into ceilings with existing downlights without the need for access above ceiling.



Features

- Sizes: 7"
- Efficacy: up to 118 lm/W
- Lumens: 1000-3500
- Wattage: 21-24W
- Voltage: 120/277V
- CCT: 2700K-4000 K
- CRI: 80 & 90 min.
- Dimming: (see options below)
- 60,000 hour rated life (L90)

Engine + Trim = complete unit.
 Refer to footnotes at the bottom of the page for restrictions.

Engine



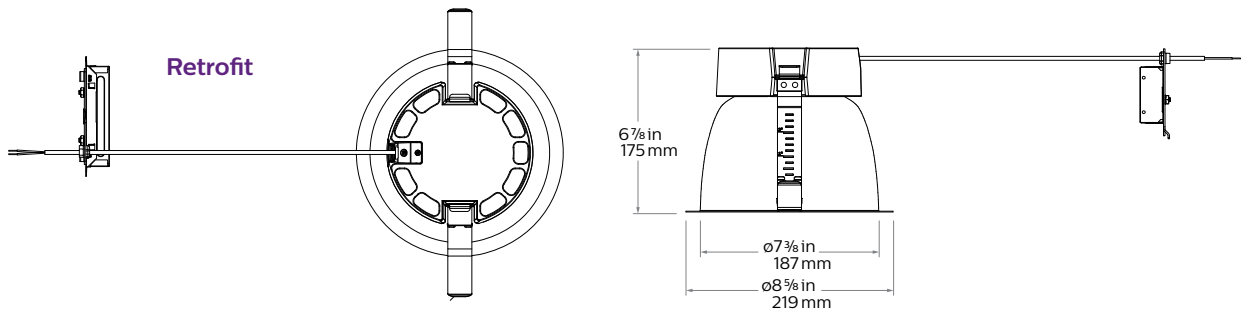
Series/ Size	Lumen	CRI	CCT	Beam	Dimming	Voltage	Installation
C6L		8					R
C6L Calculite 6-inch Non-IC	10 1000lm	8 80CRI	27 2700K	M Medium (55°)	Z10 0-10V 1%	U Universal 120/277V	R Retrofit
	15 1500lm		30 3000K				
	20 2000lm		35 3500K	E ELV (120V dimming only)			
	25 2500lm		40 4000K				
35 3500lm		1 Universal 120/277V					

Trim



Series/ Size	Aperture	Style	Beam (match above)	Reflector	Flange
C7L	R				
C7L Calculite 7-inch Non-IC	R Round	DL Downlight	NM Narrow/Medium W Wide	CL Specular clear CC Comfort clear CD Comfort clear diffuse CZ Champagne bronze BK Black (matte) WH White (matte) ¹	— White (matte) P Polished ¹ F Flangeless
		WW Open wall wash	— Wide (optimal for all wall wash styles)		

1. White (WH) reflectors are not available with Polished (P) flange configurations.



Certifications: Title 24 rated, cULus listed (UL 1598) for wet locations (covered ceiling only), RoHS compliant, ENERGY STAR® certified.



Specification-grade

Calculite 4" / 6" Cylinder round apertures

Always reaching higher.

Calculite LED Cylinders employ the same quality lighting technology and design configurations to ensure a consistent color point between luminaires within a lighting application.



4in & 6in round cylinder with
downlight reflector



4in & 6in round cylinder with
open wall wash reflector

Features

- Sizes: 4" & 6"
- Efficacy: up to 115 lm/W
- Lumens: 500-6000
- Wattage: 6-57W
- Voltage: 120/277V
- CCT: 2700K-4000 K
- CRI: 80 & 90 min.
- Dimming: (see options below)
- 60,000 hour rated life (L90)

Fixture

This classic architectural cylinder matches lumen, beam and style offerings available with Calculite LED gen 3 downlight.

(BK, CZ, CL, CC, CD)



Quiet Zone

No Visible elements:
Lens, Clips, Rivets,
Rings or other hardware

Transition Zone

50° Direct View Cut Off

Bright Zone

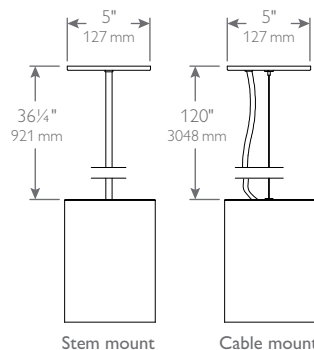
45° Reflected View Cut Off



Series / Size	Mount	Style	Lumen	CRI	CCT (K)	Beam	Dimming	Voltage	Reflector	Finish
C4 Calculite 4-inch Aperture	S Surface	DL Downlight	05 500 ³	8 80	27 2700	N Narrow	Z10 0-10V 1%	U Universal (120/277V)	BK Black (matte)	W White (matte)
	W Wall	WW Wall Wash ²	10 1000	9 90	30 3000	M Medium	ELV ELV ³ (120V dim only)	1 Universal (120/277V)	CL Specular clear	B Black (matte)
P Pendant	DW Double Wall Wash ²	15 1500	20 2000	35 3500	W Wide ²	CC Comfort clear			A Aluminum	
C6 Calculite 6-inch Aperture	S Surface	DL Downlight	10 1000	8 80	27 2700	N Narrow	Z10 0-10V 1%	U Universal (120/277V)	BK Black (matte)	W White (matte)
	W Wall	WW Wall Wash ²	15 1500	9 90	30 3000	M Medium	SOL EldoLED Solo 0-10V 0.1% ⁴	1 Universal (120/277V)	CL Specular clear	B Black (matte)
P Pendant	DW Double Wall Wash ²	20 2000	25 2500	35 3500	W Wide ²	DMX Digital Multiplexing ^{4,5}	ELV ELV ⁵ (120V dim only)		CC Comfort clear	A Aluminum
			35 3500		40 4000			D Dali ⁴	CD Comfort clear diffuse	
			48 4800 ⁴				L Lutron LDE1 EcoSystem ⁴ (fade-to-black)	CZ Champagne bronze		
			60 6000 ⁴							

Accessories

Series / Size	Kit	Style	Finish
CA Calculite Accessory	SK Stem kit	36 36-inches	W White (matte) B Black (matte)
	CK Cable kit	10 120-inches	A Aluminum ⁷

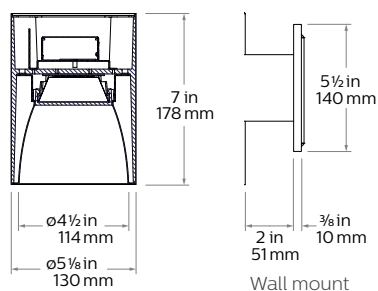


1. Pendant (P) option needs to be ordered with an accessory.
2. Wall Wash (WW) and Double Wall Wash (DW) are only available with Wide (W) beam.
3. ELV (ELV) dimming is not compatible with 500lm (05) configurations (C4 only), and is only compatible with up to 2000lm (20) configurations.
4. Lutron (L), Dali (D), EldoLED Solo (SOL), and Digital Multiplex (DMX) are only available up to 3500lm (35) configurations.
5. ELV (ELV) dimming is only compatible with up to 2500lm (25) configurations (C6 only).
6. Digital Multiplex (DMX) dimming is not compatible with the Cable Kit (CK) accessory.
7. Cable kit is not available in the Aluminum (AL) finish.

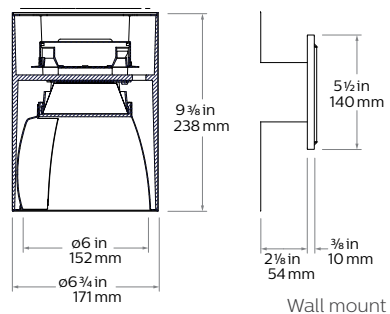


Specification - grade

4-inch Cylinder



6-inch Cylinder



Certifications: IC rated for direct contact with thermal insulation. Title 24 rated, cULus listed (UL 1598) for wet locations (covered ceiling only), RoHS compliant, ENERGY STAR® certified.



Office
 Calculite LED Cylinders

Recessed Multiples

See details in track lighting section

Product offering

Alcyon LED Recessed Multiples pg 78

OmniSpot LED Recessed Multiples pg 84

SpotLED Recessed Multiples pg 88



LLAVRM-H1



LLAVRM-H2



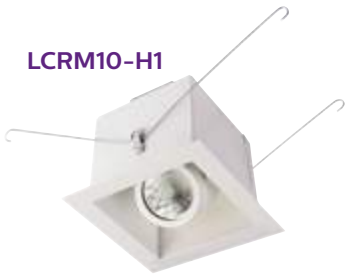
LLAVRM-H3



LLAVRM-H4



LCRM10-H1



LCRM10-H2



LCRM10-H3



LCRM10-H4



LLABR-H1



LLABR-H2



LLABR-H3



LLABR-H4



Note: For details on Recessed multiples see pages 78-88 in the track lighting section.

Comprehensive
.....
Calculite lumineaires
.....
Recessed Multiples
.....



Retail

Alcyon LED Recessed Multiples



Specification - grade

Retail

OmniSpot LED Recessed Multiples

Finishes

For use with Calculite product line

Reflector



CL Specular clear

Most specular and therefore most efficient finish, delivers maximum photometric performance but can produce a mirror image effect of the interior space.



CC Comfort clear

Semi-specular finish that softens the light at the source of the reflector and creates a subtle, even luminance from the reflector cone.



CD Comfort clear diffuse

Slightly diffuse clear finish, which eliminates iridescence and reduces the mirror image effect inherent with specular finishes.



CZ Champagne bronze

Semi-specular finish that softens the light at the source of the reflector while providing a warmer reflector appearance (light output is slightly warmer).



WH White (matte)

Brightest aperture when illuminated and provides the smoothest transition to most ceilings when off (white is only available with a white flange).



BK Black (matte)

Specular finish that provides the lowest aperture brightness possible and significantly reduces source identification in a ceiling.

Flange



- White (matte)

Provides the smoothest transition to ceilings when off.



P Polished (matches aperture)

Produces a continuous look throughout the reflector (aperture matching).



F Flangeless (flush-mount)

Creates a flush, virtually seamless transition from aperture to ceiling.

Note: Not all finishes are available for all trims (refer to specification sheet for availability). When handling reflectors, use clean white or plastic film gloves to avoid fingerprints. Specular surfaces can be cleaned by the following methods: Wipe off with soft clean, dry lint-free cloth; or wipe off with a soft cloth dampened in mild detergent solution, rinse, then wipe dry with lint-free cloth or paper towel; or wipe off with clean cloth dampened with a solution of wetting agent and water (such as 2 oz. per gallon "Pluronic L62-LF" by Wyanodotte Products or liquid such as Glass Wax®) then wipe dry with a lint-free cloth or paper towel. Avoid gritty cleaning agents.

Decorative elements

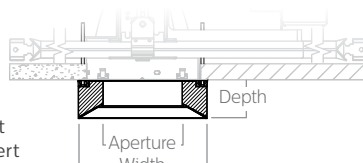
For use with 4", 6" & 7" Calculite product line

A definitive design statement utilizing balance and proportions. With uncompromising style and the look of clean, spare elegance, Vetro decorative glass elements open a world of creative potential. Designed for stand-out style or a reserved minimal look, these elements offer unlimited scope for a broad variety of applications – all within the same design family.

D01 series



Round acrylic decorative element with aluminum insert

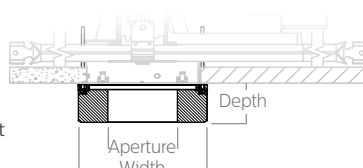


Cat. No.	Size	Aperture	Width	Depth
D4A01	4"	3 3/4" (95mm)	6" (152mm)	1 3/4" (44mm)
D6A01	6"	4 5/8" (117mm)	7 1/2" (191mm)	1 7/8" (48mm)

D02 series



Round acrylic decorative element

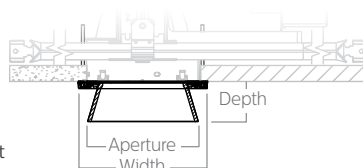


Cat. No.	Size	Aperture	Width	Depth
D4A02	4"	3 1/2" (89mm)	6" (152mm)	1 3/4" (44mm)
D6A02	6"	4" (102mm)	7 1/2" (191mm)	1 7/8" (48mm)

D03 series



Round angled double opal glass decorative element

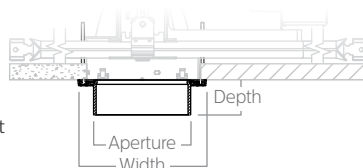


Cat. No.	Size	Aperture	Width	Depth
D4A03	4"	5 1/8" (130mm)	6 1/4" (159mm)	2" (51mm)
D6A03	6"	6 5/8" (168mm)	7 3/4" (197mm)	2 1/8" (54mm)

D04 series



Round opal glass decorative element



Cat. No.	Size	Aperture	Width	Depth
D4A04	4"	4 1/8" (105mm)	6 1/4" (159mm)	2" (51mm)
D6A04	6"	5 1/2" (140mm)	7 3/4" (197mm)	2 1/8" (54mm)

Specification-grade

Accessories

Vandal proof



VP Vandal Proof

Available for 4" and 6" round apertures, provides an elegant solution for vandal resistant needs. One piece machined aluminum ring with impact resistant clear lens. Flangeless (F) flange must be ordered. Provides the luminaire with an IK10 impact and IP65 rating.



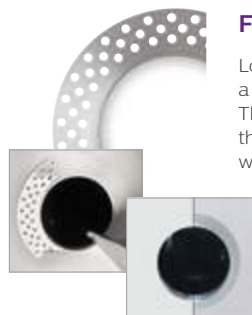
SWZDT SpaceWise

Wireless controller with dwell time functionality. It is compatible with all 0-10V configurations.



AMS ActiLume

Multi-sensor optional accessory for Power Over Ethernet



FT Flangeless Mud-in Ring

Low profile, machined aluminum mud-in ring provides a raised rib to plaster up to and a 3/16" flange thickness. The ring is attached to the ceiling material opposed to the frame to avoid conduction of heat and vibration which can cause yellowing or cracking of the plaster.

After installing the frame, a mud-in ring is inserted into the ceiling opening, the flange is plastered over, feathered, sanded and finished. The end result is a clean inconspicuous appearance with a flush, virtually seamless transition from aperture to ceiling.

Note: A flangeless reflector is required for installation of the decorative glass elements. For the best visual effect, pair with the Calculite Clear (CL) reflector finish.

Downlight luminaires



A wide array of luminaires that fit any of project need: from retail to residential to commercial.

As the LED technology continues to evolve, Lightolier integrated LED downlight luminaires are more energy efficient and versatile than ever before. From general and accent lighting to wall wash and wet location lighting, there are a variety of product families to choose from that can provide the right lighting for the right application, all with the trusted Lightolier quality.

All LED downlight luminaires feature a substantial rated lifetime at 70% lumen maintenance along with a 5-year limited warranty. All product families are UL Listed and most configurations comply with ENERGY STAR® and/or California's Title 24 certifications. Many luminaires offer multiple finish and flange options.

Performance-grade



LyteProfile
round & square apertures pg. 50



EasyLyte
round apertures pg. 52

Value-grade



LyteCaster
round & square apertures pg. 54



LyteCaster Adjustable
round apertures pg. 56



LyteCaster Accent
round & square apertures pg. 58



SlimSurface
round & square apertures pg. 60



CorePro LED
round apertures pg. 61

Budget-grade



Surface-mount downlight
round apertures pg. 62



Retrofit downlight
round apertures pg. 63



Flat downlight
round & square apertures pg. 64



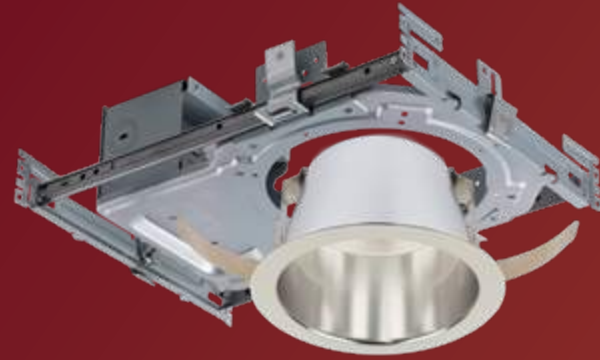
Mini Downlight & Gimbal
round & square apertures pg. 65

LyteProfile

round & square apertures

An easy to install architecturally pleasing low profile downlight.

Provides a comfortable 60° cut-off to both the actual and reflected source. Utilizes a robust frame-in kit, light engine and reflector design that is designed for a wide variety of installation conditions with a plenum depth of 4-1/2".



Features

- Sizes: 4" & 6"
- Efficacy: up to 100 lm/W
- Lumens: 500-3500
- Wattage: 7-20W
- Voltage: 120V-277V & 347V
- CCT: 2700K-5000K
- CRI: 80 min.
- Dimming: (see options below)
- 60,000 hour rated life (L80)

Frame



Series / Size	Aperture	Installation	Voltage / Option
4 4-inch Non-IC 6 6-inch Non-IC	R Round S Square	N New construction (Non-IC) R Remodeler (Non-IC) A AirSeal (IC) ¹	— Universal 120/277V (specify for Power Over Ethernet) LC Chicago Plenum ² EM Emergency ⁴ 3 347V 3IP 347V with Interact Pro ^{2,3} IP Interact Pro ^{2,3}

Trim



Series	Type	Lumens	CRI / CCT	Finish	Flange	Dimming	Voltage
P4R 4-inch Round P4S 4-inch Square	DL Downlight LW Lensed Wall Wash	05 500lm ⁵ 10 1000lm 15 1500lm 20 2000lm 25 2500lm	827 80CRI / 2700K 830 80CRI / 3000K 835 80CRI / 3500K 840 80CRI / 4000K	CL Specular clear ⁷ CC Comfort clear ⁷ CD Comfort clear diffuse BK Black (matte) ⁸ WH White (matte) ⁸	— White (matte) P Polished (aperture matching CL, CC & CD round only) B Black (matte)	Z10 0-10V 1% L Lutron LDE1 EcoSystem (fade-to-black) P Power over ethernet (PoE)	U Universal 120/277/347V E Ethernet 48V DC
P6R 6-inch Round P6S 6-inch Square	DL Downlight LW Lensed Wall Wash	10 1000lm 15 1500lm 20 2000lm 25 2500lm 30 3000lm 35 3500lm ⁶					

1. There is a 2000lm (20) limit with 4" (4RA) IC housings and a 3000lm (30) limit with 6" (6RA) IC housings.
2. Interact Pro (IP), Emergency (EM) and Chicago Plenum (LC) are only available with New construction (N) installations.
3. Integral Interact Pro RF sensor enables network lighting control; to be specified with 0-10V light engines only.
4. Emergency (EM) frame comes with emergency battery pack and ceiling mountable test switch.
5. The 500lm (5) lumen option is not available with Lutron (L) dimming.
6. The 3500lm (35) lumen option is only available in a Downlight (DL) style.
7. Specular clear (CL), Comfort clear (CC) and Comfort clear diffuse (CD) finishes will be available in Q1 of 2019.
8. The White (WH) and Black (BK) reflectors are painted aluminum, Black (BK) reflector comes with Black (B) flange only.

Note: Consult factory for additional dimming options.

4" & 6" round downlight



4" & 6" round lensed wall wash



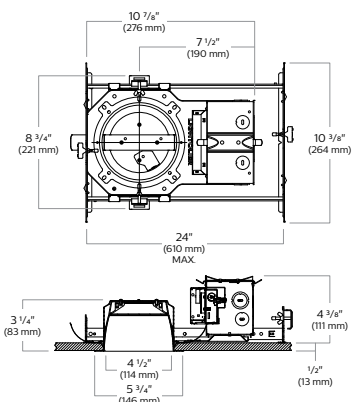
4" & 6" squares also available



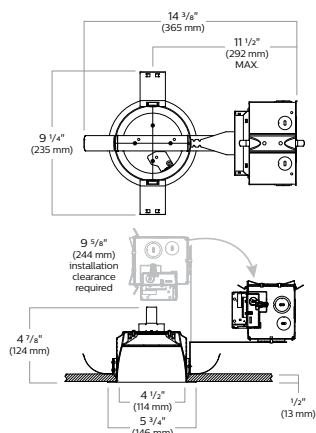
Improve your profitability, deliver projects on time and future proof installation by choosing from full family of one frame LED downlights.



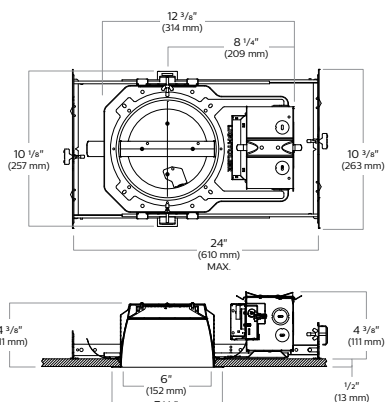
4" Round New construction



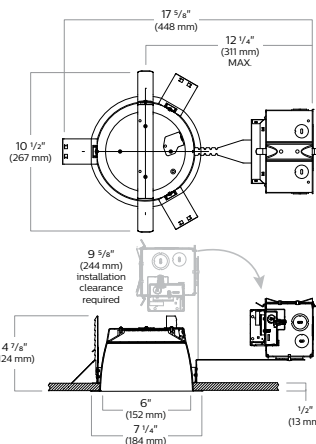
4" Round Remodeler



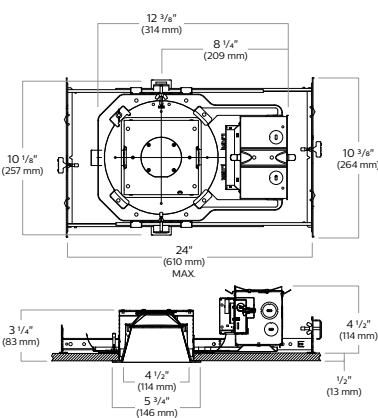
6" Round New construction



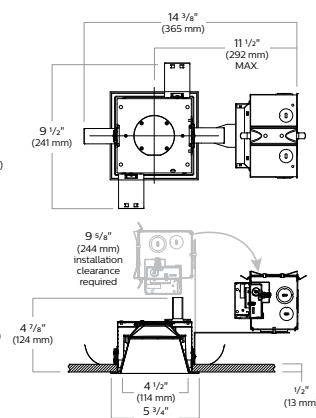
6" Round Remodeler



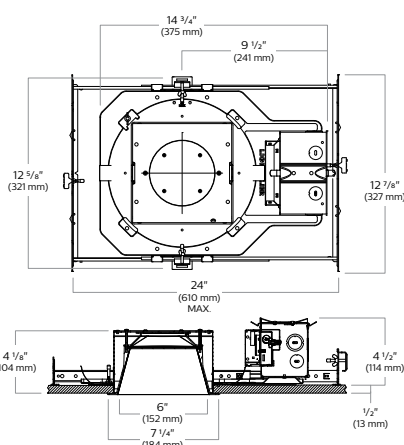
4" Square New construction



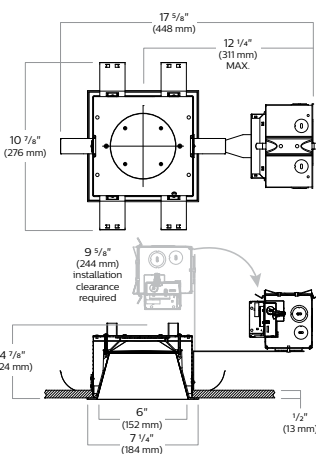
4" Square Remodeler



6" Square New construction



6" Square Remodeler



Certifications: cULus listed for wet locations, RoHS compliant, ENERGY STAR® certified.



Performance-grade

EasyLyte

round apertures

An easy to install architecturally pleasing low profile downlight.

Adaptable lighting that meets your budget, your design, and your installation. An adaptable, and flexible downlight for your changing project needs. It is your best choice for economy without sacrificing ease of installation or performance.



Features

- Sizes: 4" & 6"
- Efficacy: up to 120 lm/W
- Lumens: 500-3500
- Wattage: 7-30 W
- Voltage: 120V-277V & 347V
- CCT: 2700K-4000 K
- CRI: 80 min.
- Dimming: (see options below)
- 60,000 hour rated life (L80)



Frame



Series / Size	Aperture	Installation	Voltage / Option
	R		
4 4-inch Non-IC 6 6-inch Non-IC	R Round	N New construction (Non-IC) R Remodeler (Non-IC) A AirSeal (IC) ¹	— Universal 120/277V (specify for Power Over Ethernet) LC Chicago Plenum ² EM Emergency ⁴
			3 347V 3IP 347V with Interact Pro ^{2,3} IP Interact Pro ^{2,3}

Trim

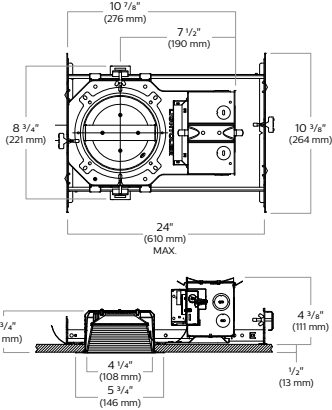


Series	Lumens	CRI / CCT	Beam	Reflector	Finish	Dimming	Voltage
			W				
Z4RDL 4-inch Round Downlight	05 500lm 10 1000lm 15 1500lm 20 2000lm 25 2500lm	827 80CRI / 2700K 830 80CRI / 3000K 835 80CRI / 3500K 840 80CRI / 4000K	W Wide	O Open downlight S Step baffle	CD Clear diffuse (applied finish) BK Black (matte) WH White (matte) DZ Dark Bronze (Q1 2019)	Z10 0-10V 1% L Lutron LDE1 EcoSystem (fade-to-black)	U Universal 120/277/347V
Z6RDL 6-inch Round Downlight	30 3000lm (only available with 6-inch) 35 3500lm (only available with 6-inch)					E ELV ⁵ P Power over Ethernet (PoE)	1 120V E Ethernet 48V DC

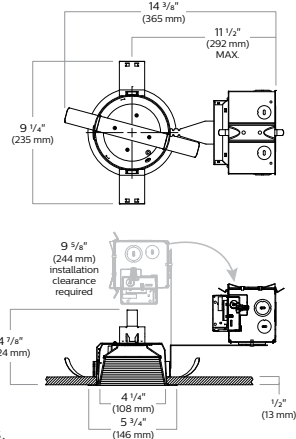
1. There is a 2000lm (20) limit with 4" (4RA) IC housings and a 3000lm (30) limit with 6" (6RA) IC housings.
2. Interact Pro (IP), Emergency (EM) and Chicago Plenum (LC) are only available with New construction (N) installations.
3. Integral Interact Pro RF sensor enables network lighting control; to be specified with 0-10V light engines only.
4. Emergency (EM) frame comes with emergency battery pack and ceiling mountable test switch.
5. ELV (E) dimming is only compatible with 1000lm (10), 1500lm (15), 2000lm (20) configurations.

Note: Consult factory for additional dimming options.

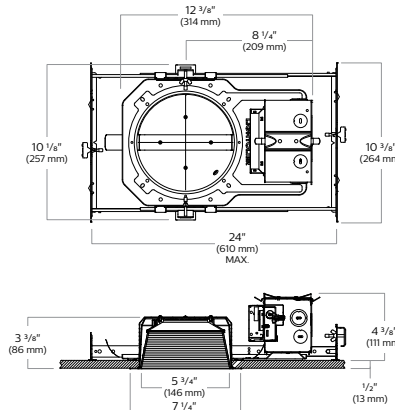
4" Round New construction



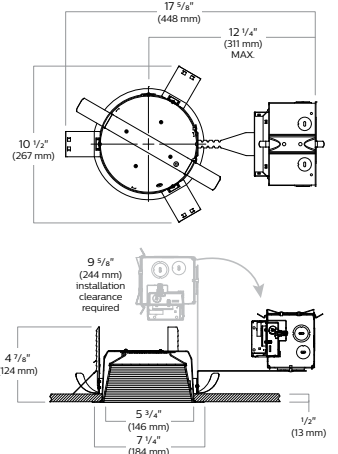
4" Round Remodeler



6" Round New construction



6" Round Remodeler



Certifications: cULUS listed for wet locations, RoHS compliant, ENERGY STAR® certified.



Comprehensive

 Downlight luminaires

 EasyLyte

Office
 LyteProfile LED



Restaurant
 LyteCaster LED accent



Performance-grade

Single Family Residential
 LyteCaster LED, LyteCaster LED adjustable and LyteCaster LED accent

LyteCaster

round & square apertures



Defining general purpose LED downlights.

Ideal general purpose downlighting solution, providing comfortable, quality light. Available in new construction and remodeler frame that is offered in two lumen packages. The downlight is wet location listed and comes in 3 standard options.

Features

- Sizes: 4", 5" & 6" round and square
- Efficacy: up to 90 lm/W
- Lumens: 650-2000
- Wattage: 7-20W
- Voltage: 120V or 120V-277V
- CCT: 2700K-4000K
- CRI: 80 & 90 min.
- Dimming: ELV/TRIAC & 0-10V
- Lifetime: 50,000 hour (L70)

Housing



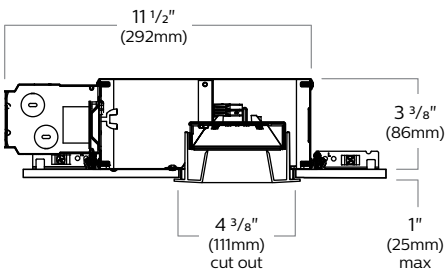
Series / Size / Shape	Lumens ¹	Installations (Airseal IC)	Dimming (Voltage) Version
L4R 4-inch / Round	— 650lm 10 1000lm	A New construction with screws AN New construction with nails R Remodeler (06R, 10R or 15R)	E1VA ELV (120V) Version A Z10UVA 0-10V (Unv 120-277V) Version A
L5R 5-inch / Round	— 1000lm 15 1500lm		
L6R 6-inch / Round	— 1500lm 20 2000lm		
L5R 5-inch / Round	— 700lm	A New construction with screws AN New construction with nails	EWG1 ELV / TRIAC (120V) warm glow effect (can not specify with adjustable)
L5R 5-inch / Round	07 700lm	R Remodeler	

1. Leave lumens field blank to specify 4" 650lm, 5" 1000lm or 6" 1500lm configurations.

4" round & square apertures



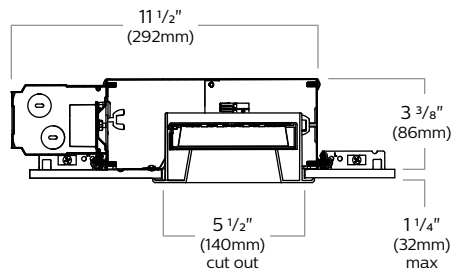
4" housing



5" round & square apertures



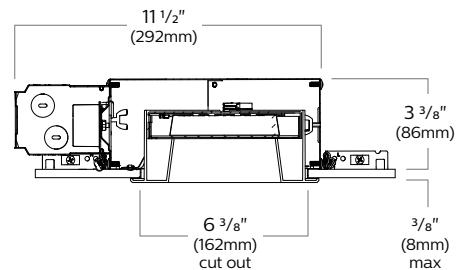
5" housing



6" round & square apertures



6" housing



Note: Square trims are configured with round housings and light engines.

Available in 3 aperture sizes: 4", 5", & 6". The 4" round delivers 650 and 1000 lumens, and 4" square delivers 1000 lumens. The 5" round delivers 1000 and 15000 lumens, and 5" square delivers 1000 lumens. A 5" round is also available with warm glow effect that delivers 700 lumens. The 6" round delivers 1500 and 2000 lumens, and 6" square delivers 1500 lumens.



Light engine



Series / Size / Shape	Lumens ¹	CRI / CCT	Version
L4R 4-inch / Round	— 650lm 10 1000lm	827 80 CRI / 2700 K 830 80 CRI / 3000 K 835 80 CRI / 3500 K 840 80 CRI / 4000 K 927 90 CRI / 2700 K 930 90 CRI / 3000 K	VA Version A
L5R 5-inch / Round	— 1000lm 15 1500lm		
L6R 6-inch / Round	— 1500lm 20 2000lm		
L5R 5-inch / Round	— 700lm	8WG 80 CRI / 2700 K-2200 K / warm glow effect	



1. Leave lumens field blank to specify 4" 650lm, 5" 1000lm or 6" 1500lm configurations.

Trim



Series / Size	Shape / Type	Details / Finish
L4 LyteCaster 4-inch	R Round / Downlight	DD Downlight / Clear diffuse with white flange
L5 LyteCaster 5-inch	S Square / Downlight	DW Downlight / White with white flange
L6 LyteCaster 6-inch		BW Baffle downlight / White with white flange

Round trims



RDD
 Round open
 downlight with
 clear diffuse finish
 and white flange



RDW
 Round open
 downlight with
 white finish and
 white flange



RBW
 Round baffle
 downlight with
 white finish and
 white flange

Square trims



SDD
 Square open
 downlight with
 clear diffuse finish
 and white flange



SDW
 Square open
 downlight with
 white finish and
 white flange



SBW
 Square baffle
 downlight with
 white finish and
 white flange

Note: Square trims are configured with round housings and light engines.

Certifications: IC rated for direct contact with thermal insulation.
 Title 47 part 15 rated, cULus listed for wet locations, RoHS compliant,
 ENERGY STAR® certified and featuring AirSeal for minimal air leakage.



LyteCaster Adjustable round apertures



Defining general purpose LED downlights.

Ideal general purpose downlighting solution, providing comfortable, quality light. Available in new construction and remodeler frame with interchangeable light engine that is offered in two lumen packages. The downlight is damp location listed and comes in 3 standard options.

Features

- Sizes: 4", 5" & 6"
- Efficacy: up to 90 lm/W
- Lumens: 650-2000
- Wattage: 7-20W
- Voltage: 120V or 120V-277V
- CCT: 2700K-4000K
- CRI: 80 & 90 min.
- Dimming: ELV/TRIAC & 0-10V
- 50,000 hour rated life (L70)

Housing

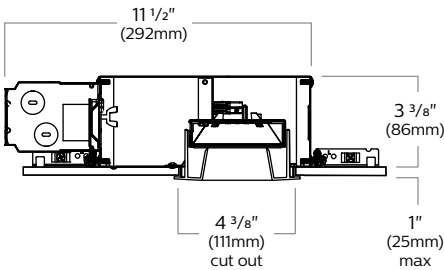


Series / Size / Shape	Lumens	Installations (Airseal IC)	Dimming (Voltage) Version
L4R 4-inch / Round	— 650lm	A New construction with screws AN New construction with nails R Remodeler (06R, 10R or 15R)	E1VA ELV (120V) Version A Z10UVA 0-10V (Unv 120-277V) Version A
L5R 5-inch / Round	— 1000lm		
L6R 6-inch / Round	— 1500lm		
L5R 5-inch / Round	— 700lm	A New construction with screws AN New construction with nails	1 ELV/ TRIAC (120V) Warm glow effect (can not specify with adjustable)
L5R 5-inch / Round		R Remodeler	

4" apertures



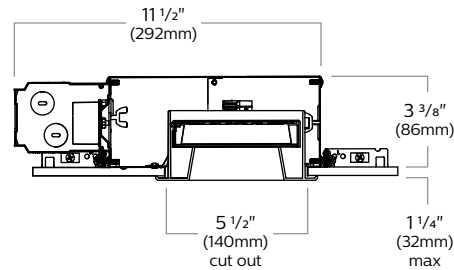
4" housing



5" apertures



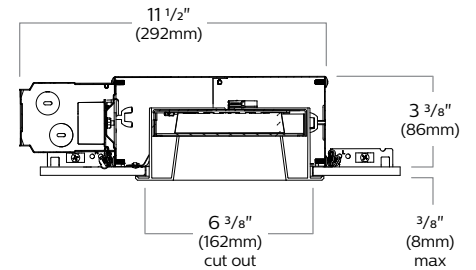
5" housing



6" apertures



6" housing



Value-grade

Available in 3 aperture sizes: 4", 5", & 6". The 4" round delivers 650 and 1000 lumens. The 5" round delivers 1000 and 15000 lumens. The 6" round delivers 1500 and 2000 lumens. All trims provide a 30° tilt adjustability.



Light engine/Trim



Light engine is built into a round trim. No need to specify a trim.

Series / Size	Shape / Type	Details / Finish ¹
L4 LyteCaster 4-inch	RA Round / Adjustable	06 ___ WVA 650lm (CRI/CCT) / White with white flange, Version A 10 ___ WVA 1000lm (CRI/CCT) / White with white flange, Version A
L5 LyteCaster 5-inch	RA Round / Adjustable	10 ___ WVA 1000lm (CRI/CCT) / White with white flange, Version A 15 ___ WVA 1500lm (CRI/CCT) / White with white flange, Version A
L6 LyteCaster 6-inch	RA Round / Adjustable	15 ___ WVA 1500lm (CRI/CCT) / White with white flange, Version A 20 ___ WVA 2000lm (CRI/CCT) / White with white flange, Version A

1. Match CRI / CCT (827, 830, 835, 840, 927) from Light Engine configuration to the "___" placeholder. Warm glow effect is not available with Adjustable trims.

Round trims



RA
 Round adjustable with white finish and white flange

Certifications: IC rated for direct contact with thermal insulation. Title 47 part 15 rated, cULus listed for damp locations, RoHS compliant, ENERGY STAR® certified and featuring AirSeal for minimal air leakage.



LyteCaster Accent

round & square apertures



Design versatility to fit any space.

Available in a variety of round and square accent styles and finishes with efficacies ranging up to 800 lm/W. A wide range of options that allow you to customize your lighting solution to best suit the application.

Features

- Sizes: 3"
- Efficacy: up to 72 lm/W
- Lumens: 800
- Wattage: 11W
- Voltage: 120V or 120V-277V
- CCT: 2700K-3500K
- CRI: 80 & 90 min.
- Dimming: ELV/TRIAC (10%)
- 50,000 hour rated life (L70)

Housing



Light engine



Series / Size	Installations (Airseal IC)	Dimming	Voltage
L3	<input type="checkbox"/>	<input type="checkbox"/>	<input type="checkbox"/>
L3 LyteCaster 3-inch accent	A New construction with screws (Non-IC)	E ELV/TRIAC	1 120V
	AN New construction with nails (Non-IC)		
	C Remodeler (Non-IC) ¹		
	N New construction (Non-IC)	Z10 0-10V	U Universal 120/277V

Series / Size	Lumens	CRI / CCT	Beam	Option
L3	08	<input type="checkbox"/>	<input type="checkbox"/>	<input type="checkbox"/>
L3 LyteCaster 3-inch accent	08 800lm	827 80 CRI / 2700K	S Spot (17°)	— None
		830 80 CRI / 3000K	NF Narrow Flood (22°)	
		835 80 CRI / 3500K	F Flood (33°)	
	927 90 CRI / 2700K 930 90 CRI / 3000K ²	S Spot (17°)	CW CrispWhite ²	
		NF Narrow Flood (22°)		
		F Flood (33°)		

Trims



Series	Shape / Type	Style
L3	<input type="checkbox"/>	<input type="checkbox"/>
L3 LyteCaster 3-inch accent	RD Round / Downlight	C Chrome Cone with white flange D Diffuse Cone with white flange W White Cone with white flange
	RA Round / Adjustable ¹	
	RLW Round / Lensed Wall Wash ³	
	RB Round / Baffle Downlight	W White Baffle with white flange
	RAB Round / Baffle Adjustable	
	RAP Round / Adjustable Pinhole	A Aluminum B Black (gimbal only) W White
	RG Round / Gimbal ⁴	
	RS Round / Shower Light	
	SLW Square / Lensed Wall Wash ³	
	SS Square / Shower Light	
SD Square / Downlight	D Diffuse Cone with white flange DA Diffuse Cone with aluminum flange W White Cone with white flange (downlight only)	
SA Square / Adjustable ¹		

1. Remodeler frame is not compatible with adjustable trim.
2. The 3000K (30) and CrispWhite (CW) options must be ordered together.
3. Lensed wall wash (LW) is only available in Narrow flood (NF) and Flood (F) beam spreads
4. Gimbal (G) trims come with accessory holder (see spec sheets for complete listings of accessories).

Certifications: IC rated for direct contact with thermal insulation. Title 24 rated, cULus listed for wet locations, RoHS compliant, IP rated, ENERGY STAR[®] certified and featuring AirSeal for minimal air leakage.





Comprehensive
.....
Downlight luminaires
.....
LyteCaster accent
.....

Restaurants
LyteCaster LED accent



Multi-Family Residential
Surface-mount downlight



Single Family Residential
SlimSurface LED

Value-grade

SlimSurface

round & square apertures



An easy to install architecturally pleasing low profile downlight.

Leverages the latest LED technology, and featuring a similar performance to typical recessed downlights but in a surface mount design. Delivering high lumen output and great visual comfort, this 5/8" surface mount downlight is appealing to both specifiers and contractors.

Features

- Sizes: 4" & 6" square and 5", 7" & 10" round
- Efficacy: up to 94 lm/W
- Lumens: 650, 1000 & 2200
- Wattage: 9W, 12W & 28W
- Voltage: 120V & 120V-277V
- CCT: 2700K-4000K
- CRI: 80 & 90 min.
- Dimming: ELV/TRIAC (10%)
- Lifetime: 50,000 hour (L70)

Square 4" & 6" luminaire



example: S4S830K7

example: S6S830K10AL

Round 5", 7" & 10" luminaire



example: S5R830K7

example: S7R830K10AL

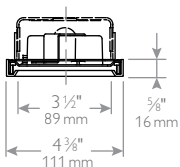
example: S10R830K22BK

Luminaire

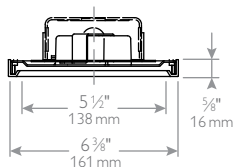
Series	Size / Shape	CRI / CCT	Lumens	Finish	Dimming (Voltage)	
S						
S SlimSurface	4S 4-inch / Square	827K 80 CRI / 2700K CCT	7 650lm (S5R & S4S only)	— White	— ELV / TRIAC (120V)	
	5R 5-inch / Round	830K 80 CRI / 3000K CCT		AL Aluminum		
	6S 6-inch / Square	835K 80 CRI / 3500K CCT	10 1000lm (S7R & S6S only)	BK Black		
	7R 7-inch / Round	840K 80 CRI / 4000K CCT		MT Metal ²		
	10R 10-inch / Round	927K 90 CRI / 2700K CCT	22 2200lm (S10R only)	W White		Z10U 0-10V (Universal 120-277V)
		930K 90 CRI / 3000K CCT		AL Aluminum		
			BK Black			
			MT Metal ²			

1. The 10" Round (S10R) installs into 4-11/16" J-box (damp location listed).
2. The Metal (MT) finish is only available with 10" Round (S10R) configurations.

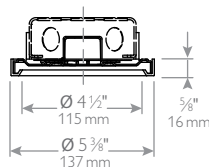
Square 4" aperture



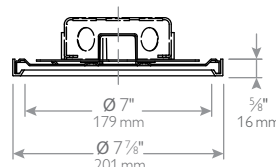
Square 6" aperture



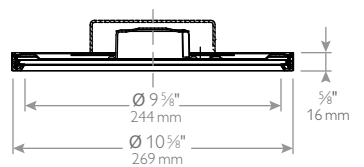
Round 5" aperture



Round 7" aperture



Round 10" aperture



Certifications: cULus listed for damp locations (covered wall or ceiling and suitable for ceiling mounted wet locations when installed per instructions except for 10"), RoHS compliant, ENERGY STAR® certified.



CorePro LED

round apertures

Less money, bigger impact.

An affordable solution for customers accustomed to the economic price and light output of an incandescent and compact fluorescent system. New construction and Remodeler frame-in kits available.

Comprehensive
.....
Downlight luminaires
.....
SlimSurface
and CorePro LED
.....



Retrofit standard (E26) socket adapter included with each trim.

Features

- Sizes: 4", 5" & 6" round
- Efficacy: 63-89 lm/w
- Lumens: 800-1200
- Wattage: 11W-16W
- Voltage: 120V (50/60 Hz)
- CRI: 80 & 90 min.
- CCT: 3000K & 4000K
- Dimming: TRIAC (10%)
- Lifetime: 50,000 hour (L70)

CP_RN
new construction
frame w/LED
connector



CP_RR
remodeler frame
w/LED connector



Frame

Series	Size	Shape	Installation
CP		R	
CP Core Pro downlight	4 4-inch 5 5-inch 6 6-inch	R Round	N New Construction (Airseal IC) R Remodeler (Airseal IC)

Other compatible frames

4" aperture

P4/P4R/P4ASIC
P4GU/P4RGU
R4/RR4/R4ASICG
FDIC4V50

5" aperture

1004IC/1004ICR
CR5QP/CRR5QP

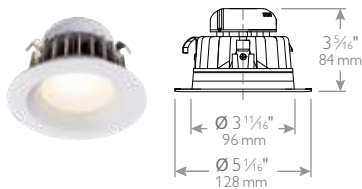
6" aperture

1104IC
CR1NBQP/QL6NBQP
P6GU/P6RGU
PR75ASIC/PRR75ICX
FD2IC6V90

Luminaire

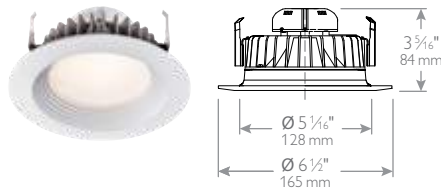
Series	Size	Shape	Shape	Lumens, CRI, CCT	Finish
CP		R	B		W
CP Core Pro downlight	4 4-inch	R Round	B Baffle	07830 800lm, 80CRI, 3000K	W White (matte)
				07930 800lm, 90CRI, 3000K	
				07840 800lm, 80CRI, 4000K	
	5 5-inch	R Round	B Baffle	08830 950lm, 80CRI, 3000K	
				08930 950lm, 90CRI, 3000K	
				08840 950lm, 80CRI, 4000K	
	6 6-inch	R Round	B Baffle	07830 800lm, 80CRI, 3000K	
				10830 1200lm, 80CRI, 3000K	
				10930 1200lm, 90CRI, 3000K 10840 1200lm, 80CRI, 4000K	

Round 4" aperture



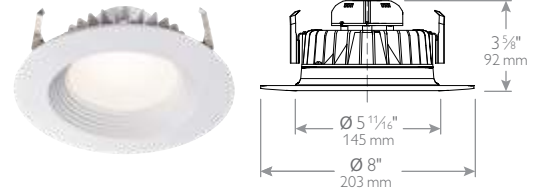
example: CP4RB07930W

Round 5" aperture



example: CP5RB08930W

Round 6" aperture



example: CP6RB10930W

Certifications: Title 24 rated, cULus listed for wet locations, RoHS compliant, ENERGY STAR® certified and featuring AirSeal for minimal air leakage.



Surface-mount round apertures

Simple to specify and simpler to install.

Perfect when faced with a challenging ceiling, but a refined-looking LED downlight is required, look no further. With a modern, clean, slim profile, Lightolier new LED Surface-mount downlight has everything you need.



Features

- Sizes: 5", 7" round
- Efficacy: min 69 lm/w
- Lumens: 700-1000
- Wattage: 10W-15W
- Voltage: 120V (50/60 Hz)
- CRI: 90 min.
- CCT: 3000K
- Dimming: TRIAC (10%)
- Lifetime: 50,000 hour (L70)

Round 5" luminaire



example: SD5R079301W

Round 7" luminaire

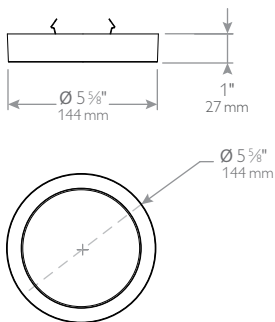


example: SD7R099301W

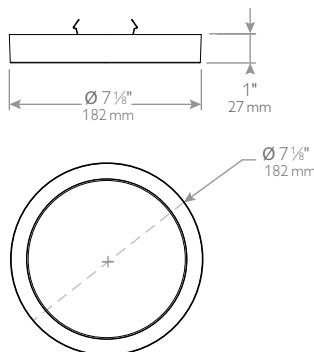
Luminaire

Series	Size	Shape	Lumens	CRI	CCT	Voltage	Finish
SD		R		9	30	1	W
SD Surface-mount downlight	5 5-inch	R Round	07 700lm	9 90	30 3000K	1 120V	W White (white)
	7 7-inch	R Round	09 1000lm				

Round 5" aperture



Round 7" aperture



Certifications: IC rated for direct contact with thermal insulation. Title 24 rated (JA8-2016), cETLus listed for wet locations (ceiling-mounted), RoHS compliant, ENERGY STAR® certified.



Retrofit downlight

round apertures

Comprehensive

 Downlight luminaires

 Surface-mount
 and Retrofit



LED retrofit in a snap.

Installation that is super easy and will save you lots of time and frustration on the job site. You will love how hassle-free this LED downlight is, with a quick connect plug and medium base socket adapter included, you may not even need to open your toolbox.

Features

- Sizes: 4" & 5/6" round
- Efficacy: up to 78lm/w
- Lumens: 900-1400lm
- Wattage: 12W (4"), 18W (5/6")
- Voltage: 120V (50/60Hz)
- CRI: 90 min.
- CCT: 3000K
- Dimming: ELV/TRIAC (10%)
- Lifetime: 42,000 hour (L70)

An affordable solution for new construction or remodelling

Round 4" luminaire



example: RD4R089301W

Round 5/6" luminaire

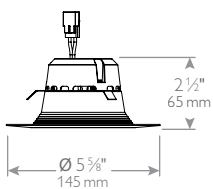


example: RD5R129301W

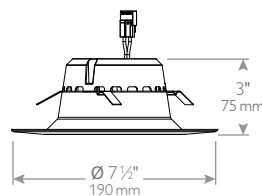
Luminaire

Series	Size	Shape	Lumens	CRI	CCT	Voltage	Finish
RD		R		9	30	1	W
RD Retrofit downlight	4 4-inch	R Round	08 900lm	9 90	30 3000K	1 120V	W White (matte)
	5 5/6-inch	R Round	12 1400lm				

Round 4" aperture



Round 5/6" aperture



1004IC
 5" Lytning
 IC frames

1104IC
 6 3/4" Lytning
 IC frames

Compatible 4" frames

3 7/8" (100mm) min to 4 1/8" (105mm) max dia.
 and 5 3/8" (142mm) height

CP4RN/CP4RR & FDIC4V50
 P4/P4R/P4ASIC/P4GU/P4RGU
 R4/RR4/R4ASICG

Compatible 5/6" frames

5 1/2" (140mm) min to 6" (152mm) max dia.
 and 7 3/8" (188mm) height

CP6RN/CP6RR/CR1NBQP & FD2IC6V90
 P6GU/P6RGU/PR75ASIC/PRR75ICX
 QL6NBQP & 1104IC
 1004IC/1004ICN/1004ICNS
 1004ICQ/1004ICNQ

Certifications: IC rated for direct contact with thermal insulation.
 Title 24 rated (JA8-2016), cULus listed (UL 1598) for wet locations (covered ceiling only).
 RoHS compliant, ENERGY STAR® certified.



Flat downlight

round & square apertures

Bring new depth to your designs.

Provides an easy and quick downlight solution without the traditional frame, reflector and trim. Perfect for installation in existing ceilings or new construction with the benefits of energy saving LED technology.



Features

- Sizes: 4" & 6" round and 4" & 6" square
- Efficacy: up to 60lm/w
- Lumens: 700-900lm
- Wattage: 12 W (4"), 15 W (6")
- Voltage: 120 V (50/60Hz)
- CRI: 90 min.
- CCT: 3000 K
- Dimming: ELV/TRIAC (10%)
- Lifetime: 50,000 hour (L70)

Round luminaire



example: FD4R07930TE1W

Square luminaire



example: FD6S09930TE1W

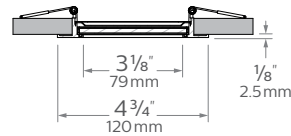
Luminaire

Series	Size	Shape	Lumens	CRI	CCT	Dimming	Voltage	Finish
FD				9	30	TE	1	W
FD Flat Downlight	4 4-inch	R Round S Square	07 700lm	9 90	30 3000 K	TE TRIAC & ELV	1 120V	W White (matte)
	6 6-inch	R Round S Square	09 900lm					

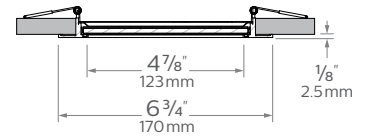
Accessories

Series	Model
FD	
FD Flat Downlight	RN Round new construction plate SN Square new construction plate 06C 6' extension cable 20C 20' extension cable

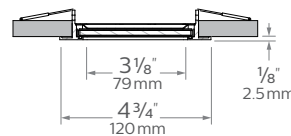
Round 4" aperture



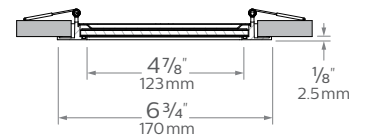
Round 6" aperture



Square 4" aperture



Square 6" aperture



Certifications: IC rated for direct contact with thermal insulation. Title 24 rated (JA8-2016), cULus listed (UL 1598) for wet locations (covered ceiling only). RoHS compliant, ENERGY STAR® certified and featuring AirSeal for minimal air leakage.



Mini Downlight & Gimbal

round apertures

Comprehensive
Downlight luminaires
Flat downlight,
Mini Downlight
and Mini Gimbal

Miniature aesthetic with baffle design.

Easily adjustable below ceiling to highlight the object or surface. The small detachable junction box eliminates the need for a traditional frame or bulky remodeler kit, making installation quick and easy.



Features

- Sizes: 3" round
- Efficacy: 69 lm/w
- Lumens: 550
- Wattage: 8W
- Voltage: 120V (50/60 Hz)
- CRI: 90 min.
- CCT: 3000K
- Dimming: TRIAC (10%)
- Lifetime: 50,000 hour (L70)

Fixture



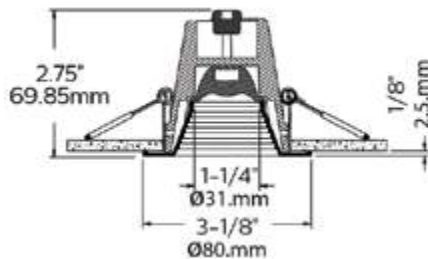
Series	Lumens	CRI	CCT	Voltage	Beam	Finish
MD3R	06	9	30	1	F	W
MD3R Mini downlight 3-inch Round	06 550lm	9 90CRI	30 3000K	1 120V	F Flood	W White

Series	Lumens	CRI	CCT	Beam	Voltage	Finish
MG3R	06	9	30	NF	1	W
MG3R Mini gimbal 3-inch Round	06 550lm	9 90CRI	30 3000K	NF Narrow Flood	1 120V	W White

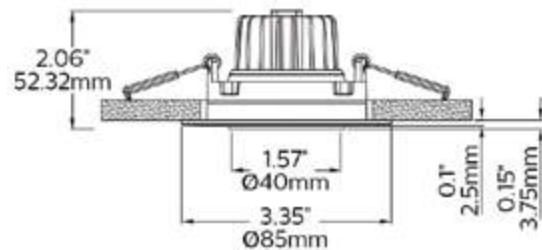
Accessories

Series	Model
MD	
MD Mini downlight	RN Round new construction plate
	06C 6' extension cable
	20C 20' extension cable

3" Mini downlight



3" Mini gimbal



Certifications: IC rated for direct contact with thermal insulation. Title 24 rated (JA8-2016), cETLus listed for damp locations (ceiling-mounted), RoHS compliant, ENERGY STAR® certified and featuring AirSeal for minimal air leakage.



Decorative elements



Utilizes pure geometric forms that feature superior materials in perfect balance.

Vetro decorative elements are a definitive design statement utilizing balance and proportions. With uncompromising style and the look of clean, spare elegance, Vetro Downlights open a world of creative potential. Designed for stand-out style or a reserved minimal look, these downlight accessories offer unlimited scope for a broad variety of applications – all within the same design family.

Specification-grade



Micro Vetro For use with Calculite LED 1.75" Micro downlights
round & square apertures pg. 68



Vetro For use with Calculite LED 4" & 6" downlights
round apertures pg. 69



Vetro PM
suspended pendants
pg. 70



Vetro PS
suspended pendants
pg. 71



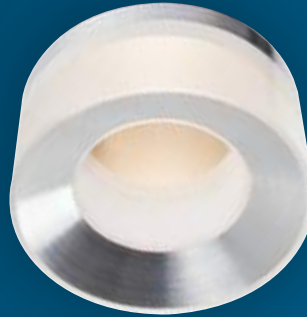
Vetro PW
wall sconce
pg. 72

Micro Vetro

round & square apertures

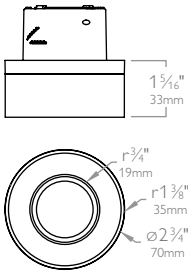
Architectural decorative 2" accessories with satin aluminum rings.

Solid forms of decorative transparency teamed with frosted layers and lighting present an elegant look. Light floats upward to create a delicate ceiling wash which adds yet more interest and definition to a space.



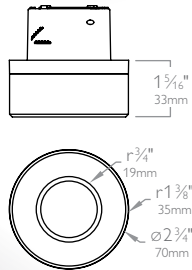
D2LR01

Round acrylic with aluminum insert



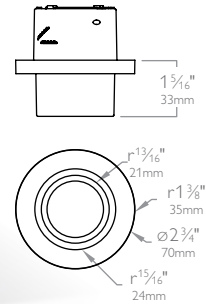
D2LR02

Round acrylic



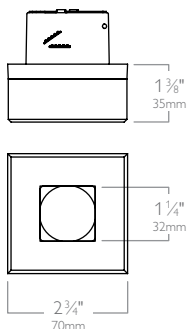
D2LR03

Round opal glass



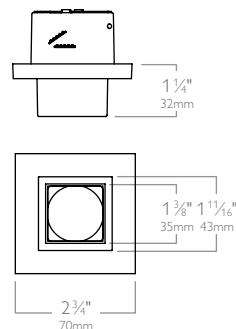
D2LS01

Square acrylic



D2LS02

Square opal glass



Specification-grade

Vetro

round apertures

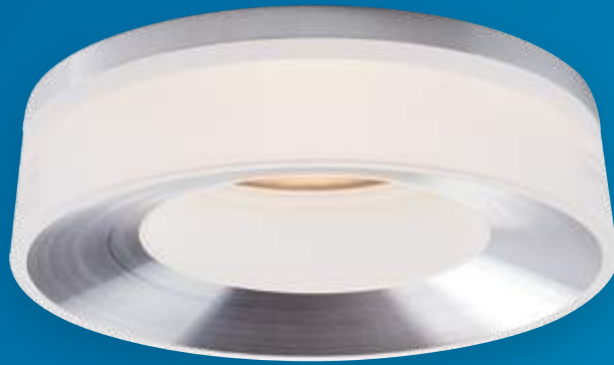
Comprehensive

 Decorative elements

 Micro Vetro & Vetro

The perfect compliment to Calculite downlights.

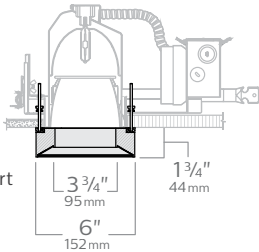
The light from these luminaire accessories is released in layered complexity. Subtle light patterns are revealed as light emanates in differing patterns when viewed from various angles. A satin aluminum ring adds to the finely engineered look.



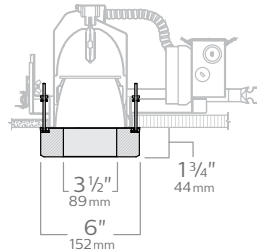
For use with Calculite LED 4" downlights



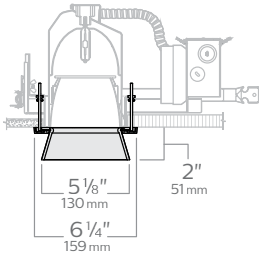
D4A01
 Round acrylic
 with aluminum insert



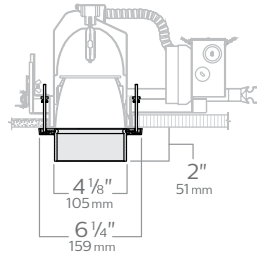
D4A02
 Round acrylic



D4A03
 Round angled
 double opal glass



D4A04
 Round opal glass

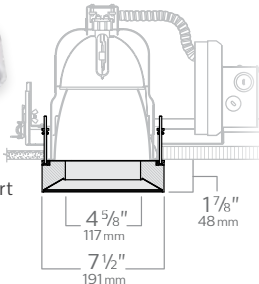


Trim kit must be ordered separately.
 All combinations required the
 appropriate Calculite frames.

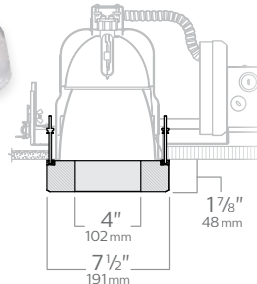
For use with Calculite LED 6" downlights



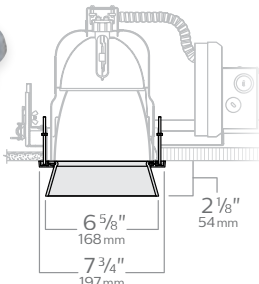
D6A01
 Round acrylic
 with aluminum insert



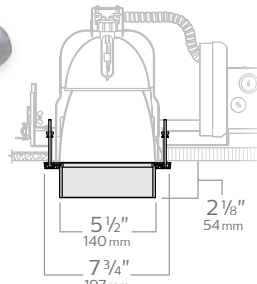
D6A02
 Round acrylic



D6A03
 Round angled
 double opal glass



D6A04
 Round opal glass



Trim kit must be ordered separately.
 All combinations required the
 appropriate Calculite frames.

Vetro PM

suspended pendants

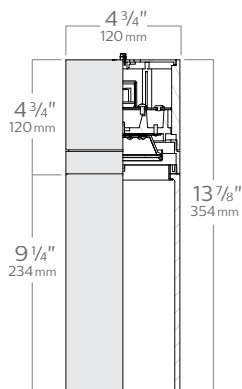
A bold statement in light.

Dynamic architectural precision fused with a slender aesthetic delivers superior illumination. These bold pendants present a refined profile to accent select spaces.



PM luminaire

Fixture consists of **Power Head** + **Glass Element** + **Suspension Kit** (see page 73).



PM with PG01

Satin machined aluminum and hand-blown opal glass. A handsome proportion of materials engineered to provide a functional design element and an efficient luminaire.

PM02LW35SAU with PG01

Power Heads, Glass Element and Suspension Kits ship separately.

Power Heads

Comprised of die-cast and extruded aluminum components with a brushed clear lacquer finish.

Series	Wattage	Source	CCT	Finish	Voltage
PM	02	LW		SA	U
PM Decorative Pendants	02 24W	LW LED	27 2700K 30 3000K 35 3500K 40 4000K	SA Satin Aluminum	U Universal 120/277V

Glass Element

A primary diffuser comprised of opal acrylic.

Series
PG01
PG01 4 3/4" Opal Glass Element (required for all glass options)

Two-piece machined aluminum housing contains electrical components. Hand-blown Triplex glass provides an even spread of illumination along the length of the glass element.

Vetro PS

suspended pendants

Grace and style in light.

The geometric expression of capturing straight and flared together in a sharp aesthetic enhances select spaces. The bold effect adds definition to its appeal.

Comprehensive

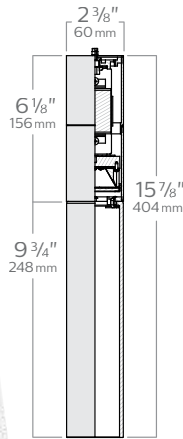
 Decorative elements

Vetro pendants



PS luminaire

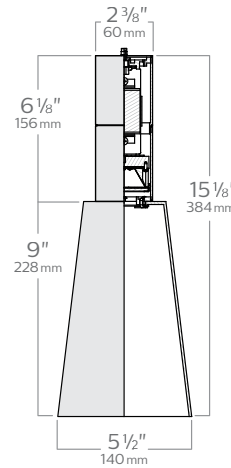
Fixture consists of **Power Head** + **Glass Element** + **Suspension Kit** (see page 73).



PS with SG01L
 Satin machined aluminum and hand-blown opal glass provides a basic accent of light to stand alone or designed in arrays.

PS01LW35SAU
 with SG01L

Power Heads, Glass Element and Suspension Kits ship separately.



PS with SG03L
 Satin machined aluminum and hand-blown opal glass. Parallel lines of the symmetric power head diverge when fused to the conical hand blown glass.

PS01LW35SAU
 with SG03L

Power Heads, Glass Element and Suspension Kits ship separately.

Power Heads

Comprised of die-cast and extruded aluminum components with a brushed clear lacquer finish.

Series	Wattage	Source	CCT	Finish	Voltage
PS	01	LW		SA	U
PS Decorative Pendants	01 8W	LW LED	27 2700K 30 3000K 35 3500K 40 4000K	SA Satin Aluminum	U Universal 120/277V

Glass Element

A primary diffuser comprised of opal acrylic.

Series	
SG01L	2 3/8" Opal Glass Element (required for all glass options)
SG03L	5 1/2" Opal Glass Element (required for all glass options)

Two-piece machined aluminum housing contains electrical components. Hand-blown Triplex glass provides an even spread of illumination along the length of the glass element.

Vetro PW

wall sconce

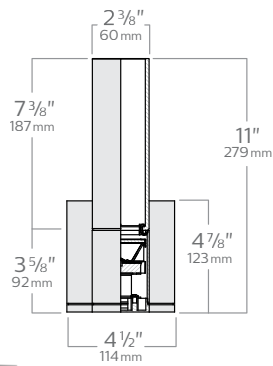
Reflections of uniformity.

A combination of two basic geometric forms, the cylinder and the cone. A source of ambient illumination presented under a cylindrical section of glass.



PW luminaire

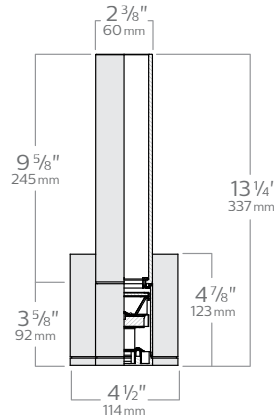
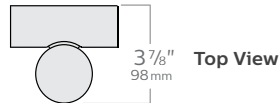
Fixture consists of **Power Head + Glass Element**.



PW with SG02L
Cast and machined components Hand-blown 8" triplex glass.

PW01LW35SAU
with SG02L

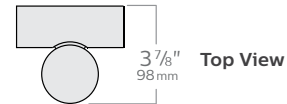
Power Heads and Glass Element ship separately.



PW with SG01L
Cast and machined components. Hand-blown 10" triplex glass.

PW01LW35SAU
with SG01L

Power Heads and Glass Element ship separately.



Power Heads

Comprised of die-cast and extruded aluminum components with a brushed clear lacquer finish.

Series	Wattage	Source	CCT	Finish	Voltage
PW	01	LW		SA	U
PW Decorative Sconce	01 8W	LW LED	27 2700K 30 3000K 35 3500K 40 4000K	SA Satin Aluminum	U Universal 120/277V

Glass Element

A primary diffuser comprised of opal acrylic.

Series
SG01L 10" Opal Glass Element (required for all glass options)
SG02L 8" Opal Glass Element (required for all glass options)

Two-piece machined aluminum housing contains electrical components. Hand-blown Triplex glass provides an even spread of illumination along the length of the glass element.

Accessories

suspension kits

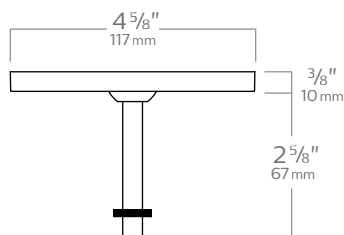
Architectural decorative pendant with satin aluminum housings.

Clear, defined, slim and elegant Vetro pendants layer light and air to bring an architectural aesthetic to a variety of spaces.

The Vetro look of refined, spare elegance is accomplished with satin machined aluminum paired with hand-blown opal glass.

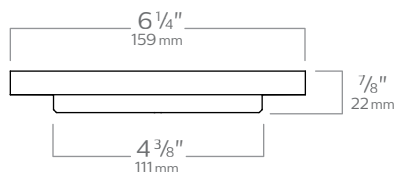
Close to Ceiling kit

CTC: Close to ceiling kit includes satin aluminum canopy (3" length).



Surface Mount kit

SMK: Surface Mount kit mounts the following fixtures directly to the ceiling: PM (6 3/8" diameter).

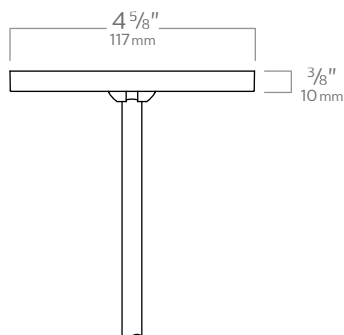


Stem kit

Stem kit includes satin aluminum stem with matching canopy.

STO1: (3ft. length 3/8" diameter).

STO2: (5ft. length 3/8" diameter).



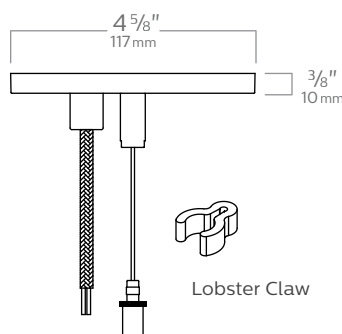
Cable/Cord kit

Cable/Cord kit includes clear jacketed steel braided power cord and metal aircraft cable with satin aluminum canopy.

SKO1: Includes 3 solid aluminum lobster claws to neatly secure the steel jacketed power cord to the aircraft cable (10ft. length).

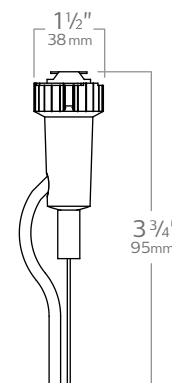
SKO2: Includes 4 solid aluminum lobster claws to neatly secure the steel jacketed power cord to the aircraft cable (25ft. length).

SKO1X5: Same specifications as SKO1 (for LED version only). Includes 5-Wire configuration for optional 0-10V dimming.



Track Mount kit

TM01: Track mounting kit includes clear jacketed steel braided power cord and metal aircraft cable (10ft. length). Finish of adapter body is silver powder coat and the adapter mounts to Lightolier Lytespan Track.



Downlight Details

Architectural decorative downlights accessories

Decorative element are mechanically secured to the die cast construction ring and the integral reflector from the factory.

Die cast construction ring: Exterior edge of construction ring is visible, satin aluminum finish matches diameter of decorative element for a flangeless appearance. Aluminum die cast finish ring with crisp 90° edges conceals all fasteners for a clean finished appearance.

Integral reflector: 16 ga. aluminum, 50° visual cutoff to lamp and lamp image. Decorative Element is mechanically attached to reflector via die cast ring. Reflector is specular clear for best performance and aesthetics.

Cover glass: 4" Evolution contains high temperature perimeter frost.

Trim kit: For 4" Evolution, trim kit, reflector and decorative element ship complete.

Frame-in kit: Specified separately. See frame-in kit specification sheet for details.

Labels

Decorative Pendants and Downlight Elements are cULus Listed. Suitable for Damp Locations.

Track luminaires



We offer a wide variety of track luminaires to fit any of your project needs: from retail to residential to commercial.

As the LED technology continues to evolve, Lightolier integrated LED track luminaires are more compact and versatile than ever before. From general lighting to accent lighting, there are a variety of product families to choose from that can provide the right lighting for the right application, all with the trusted Lightolier quality.

All LED track luminaires feature a rated lifetime of 50,000 hours at 70% lumen maintenance along with a 5-year limited warranty. All product families are UL Listed and most configurations comply with ENERGY STAR® certification. Most luminaires offer aluminum, matte white and matte black finishes.

Specification-grade



Alcyon vertical
track mount pg. 76



Alcyon vertical
recessed multiple pg. 78



Alcyon horizontal
track mount pg. 80



OmniSpot
track mount pg. 82



OmniSpot
recessed multiple pg. 84

Performance-grade



SpotLED
track mount pg. 86



SpotLED
recessed multiple pg. 88



LyteFlood
track mount pg. 90

Value-grade



Gimbal LED
track mount pg. 91



CorePro LED
track mount pg. 92



Track Head
track mount pg. 94



Tangent
track mount pg. 96

Alcyon vertical

Taking LED accent lighting to the next level

Alcyon LED vertical is a single-optic LED platform designed with a balance of form, function and visual comfort. Its industry leading efficacy and candlepower levels offer customers a low energy consumption solution that provides maximum light output at minimum watts per square foot.



Accommodates multiple accessories.

Features

- Efficacy: Up to 93 lm/W at 3000K
- Lumens (Watts): 900lm (9W), 1300lm (14W), 2000lm (21W), 3000lm (34W)
- Correlated Color Temp. (CCT): 2700K, 3000K, 4000K
- Color Rendering Index (CRI): 80-90
- Beam spreads: Narrow Spot, Spot, Narrow Flood, Flood
- Finishes: Aluminum, Matte White, Matte Black
- Dimming: Trailing edge (ELV)
- CrispWhite: 90CRI/3000K combination

Components

1. Fixture
2. Reflector
3. Accessory holder
4. Accessory spring
5. Diffusion filters
6. Hex cell louver
7. Snoot
8. Aperture ring

Fixture

example: LLAV30930BKCW

Series	Lumens (W)	CRI/CCT	Adapters	Finishes ¹	Options
LLAV	<input type="checkbox"/>	<input type="checkbox"/>	<input type="checkbox"/>	<input type="checkbox"/>	<input type="checkbox"/>
LLAV Alcyon LED vertical	01 900lm (9W)	27 80CRI/2700K	— Lightolier	AL Alum.	— None (leave blank)
	11 1300lm (14W)	30 80CRI/3000K	H Halo	WH White	
	20 2000lm (21W)	40 80CRI/4000K	J Juno	BK Black	
	30 3000lm (34W)	927 90CRI/2700K	P Prospec ²		
		930 90CRI/3000K ¹	— Lightolier	AL Alum.	CW CrispWhite ³
			H Halo	WH White	
			J Juno	BK Black	
			P Prospec ²		

1. All fixtures are painted with matte finishes.
2. Prospec is only offered in White (WH) and Black (BK).
3. CrispWhite (CW) is only available with 90CRI / 3000K CCT (930).

Reflector

example: LLAV12RF

Series	Lumens (Watts)	Beam spreads	Interchangeable reflectors along with the widest range of accessories help designers customize the light output to create the perfect environment and to offer added flexibility.
LLAV	<input type="checkbox"/>	<input type="checkbox"/>	
LLAV Alcyon LED vertical	11 900lm (9W) 1300lm (14W) 2000lm (21W)	RNS 10° Narrow Spot RS 18° Spot RNF 24° Narrow Flood RF 36° Flood	
	12 3000lm (34W)	RNS 11° Narrow Spot RS 17° Spot RNF 24° Narrow Flood RF 36° Flood	



Narrow Spot

Spot

Narrow Flood

Flood

Accessories

example: 23SNT6BK

Series	Finishes
<input type="checkbox"/>	<input type="checkbox"/>
Accessory holders	
LLAV11AH for 9W, 14W & 21W series	AL Aluminum WH Matte White BK Matte Black
LLAV12AH for 34W series	
Snoots	
LLA11SN for 9W, 14W & 21W series	AL Aluminum WH Matte White BK Matte Black
23SNT6 for 34W series	
Diffusion filters	
LLAV11 for 9W, 14W & 21W series	LS Linear Spread SY Symmetrical Spread
LLAV12 for 34W series	SF Soft Focus FR Frosted Etched
Color filters	
ADF4 for 34W series	
Hex cell louvers (matte black)	
LLAHCA11 for 9W, 14W, & 21W series	
AL4HC for 34W series	

Mounting

Compatible with all Monopoint, Multipoint, recessed track, suspension track, suspension stems, sloped ceiling adapters as well as Basic, Advent and Radius track systems. Ceiling and horizontal or vertical wall mounted.

Flexibility in lumen output and beam angle allows for optimal lighting designs including extremely tight accent applications.

Actual size



Comprehensive
Track luminaires
Alcyon vertical

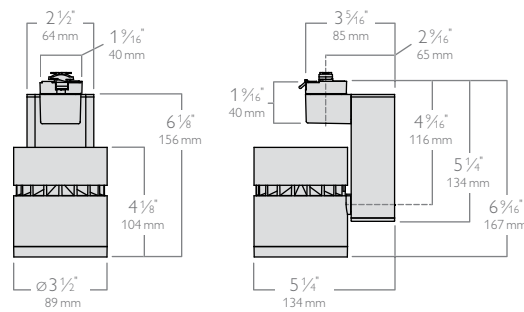
Aperture ring allows for multiple accessories.

LLAV01 & LLAV11

900lm (9W) & 1300lm (14W)



- Aluminum
- Matte White
- Matte Black



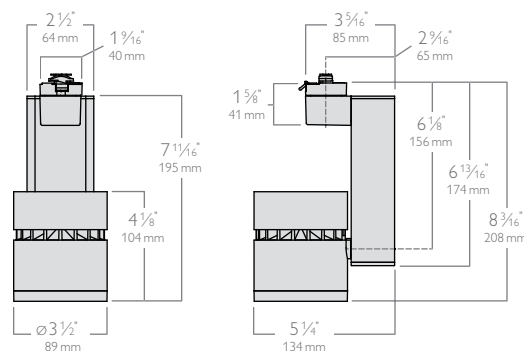
1000lm 10° RNS (Narrow Spot) delivers more than 24,000CBCP (Center Beam Candlepower) for excellent visual punch.

LLAV20

2000lm (21W)



- Aluminum
- Matte White
- Matte Black

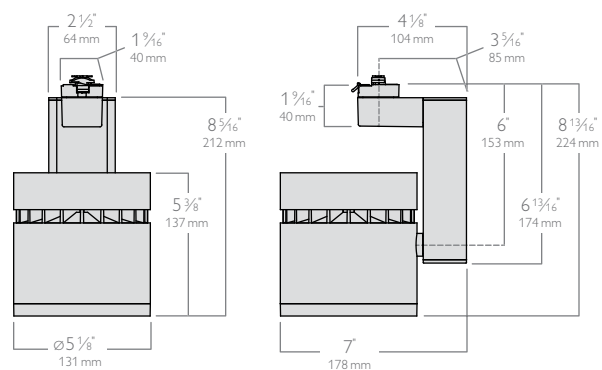


LLAV30

3000lm (34W)



- Aluminum
- Matte White
- Matte Black



Certifications: cULus listed, ENERGY STAR® certified.

See specification sheets LLAV01, LLAV11, LLAV20, or LLAV30 for additional drawings and information.



Alcyon vertical

recessed multiple

Taking LED accent lighting to the next level.

Alcyon LED vertical recessed is a three-part system designed to offer high-performing, target illumination to meet today's accent lighting needs. This recessed lighting utilizes the same LED technology and reflectors as the track heads, providing performance consistency and design continuity within a space.

Features

- Efficacy: Up to 60 lm/W at 3000K
- Lumens (Watts): 600lm (10W), 1000lm (20W), 2000lm (30W)
- Correlated Color Temp. (CCT): 2700K, 3000K, 4000K
- Color Rendering Index (CRI): 80-85
- Beam spreads: Narrow Spot, Spot, Narrow Flood, Flood
- Finishes: Matte White, Matte Black (with white flanges)
- Dimming: 0-10V
- Aiming: Tool-less aiming, tilt and pull-down design
- Seamless ceiling integration: Semi-recessed or Fully-recessed

Components

1. Frame
2. Fixture
3. Reflector
4. Accessory holder
5. Accessory spring
6. Diffusion filter
7. Hex cell louver
8. Snoot
9. Aperture ring



Frame

example: LLAVRM12H1120

Series	Lumens (Watts)	Heads	Voltages
LLAVRM	<input type="checkbox"/>	<input type="checkbox"/>	<input type="checkbox"/>
LLAVRM Alcyon LED vertical recessed multiple	11 600lm (10W) & 1000lm (20W) 12 2000lm (30W)	H1 1 head H2 2 head H3 3 head H4 4 head	120 120V 277 277V

Fixture

example: LLAVRMWH1230H1

Series	Finishes ¹	Lumens (Watts)	CCT	Heads
LLAVRM	<input type="checkbox"/>	<input type="checkbox"/>	<input type="checkbox"/>	<input type="checkbox"/>
LLAVRM Alcyon LED vertical recessed multiple	WH White BK Black	01 600lm (10W) 11 1000lm (20W) 12 2000lm (30W)	27 2700K 30 3000K 40 4000K	H1 1 head H2 2 head H3 3 head H4 4 head

Reflector

example: LLAV12RNS

Series	Lumens (Watts)	Beam spreads
LLAV	<input type="checkbox"/>	<input type="checkbox"/>
LLAV Alcyon LED vertical recessed multiple	11 600lm (10W) & 1000lm (20W) 12 2000lm (30W)	RNS 10° Narrow Spot RS 18° Spot RNF 24° Narrow Flood RF 36° Flood



Narrow Spot

Spot

Narrow Flood

Flood

Accessories

example: 23SNT6BK

Series	Finishes
<input type="checkbox"/>	<input type="checkbox"/>
Accessory holders	
LLAV11AH for 10W & 20W series LLAV12AH for 30W series	WH Matte White BK Matte Black
Snoots	
LLA11SN for 10W & 20W series 23SNT6 for 30W series	WH Matte White BK Matte Black
Diffusion filters	
LLAV11 for 10W & 20W series LLAV12 for 30W series	LS Linear Spread SY Symmetrical Spread SF Soft Focus FR Frosted Etched
Color filters	
— for 10W & 20W series ADF4 for 30W series (or provided by others)	

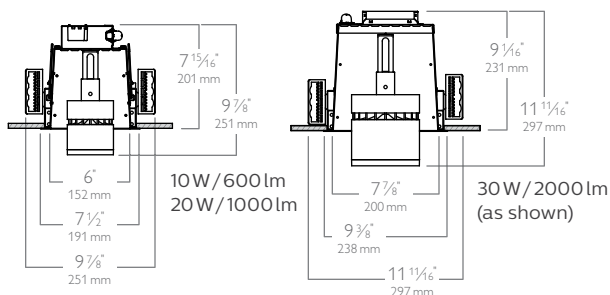
Hex cell louvers (matte black)

LLAHCA11 for 10W & 20W series
AL4HC for 30W series

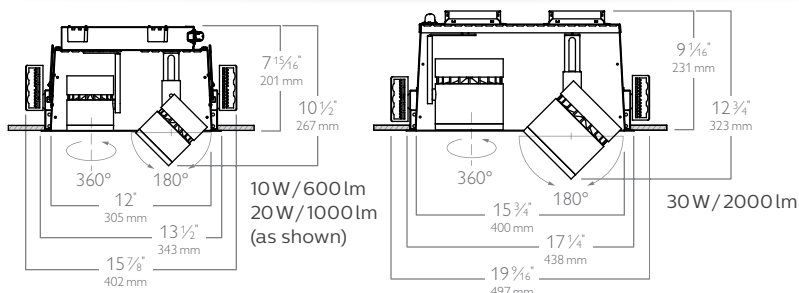
1. All fixtures are painted with matte finishes.

Actual size

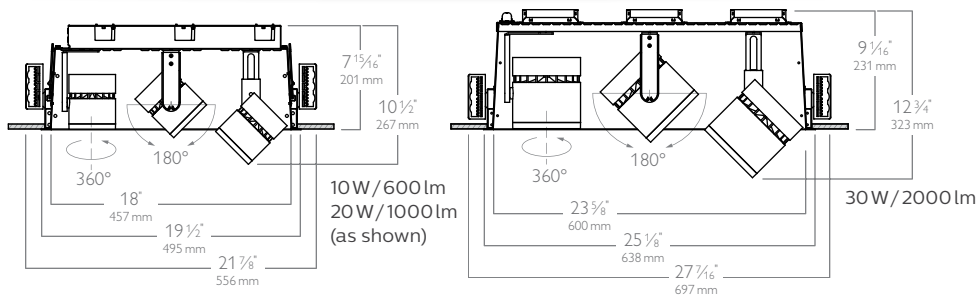
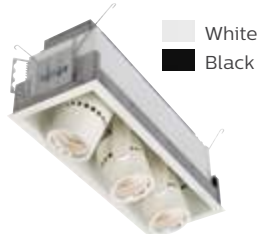
LLAVRM-H1



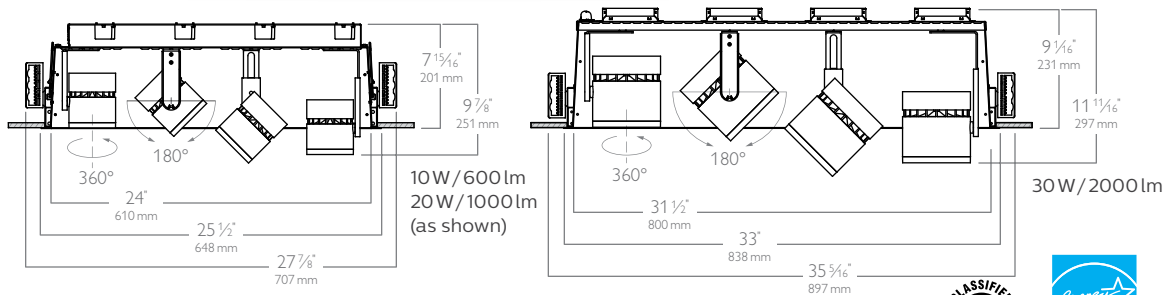
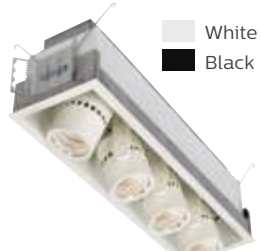
LLAVRM-H2



LLAVRM-H3



LLAVRM-H4



Certifications: cULus listed, ENERGY STAR® certified.



See specification sheet LLAVRM for additional drawings and information.

Alcyon horizontal

Clean architectural design

Alcyon LED horizontal is ideal for display, accent, and task lighting. This track luminaire offers higher efficiency than conventional sources providing energy savings.

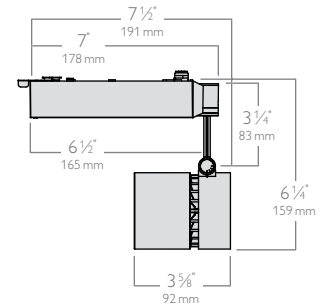
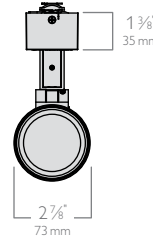
Features

- Efficacy: Up to 78 lm/W at 3000K
- Lumens (Watts): 1100lm (15W)
- Correlated Color Temp. (CCT): 2700K, 3000K, 3500K, 4000K
- Color Rendering Index (CRI): 80-90
- Beam spreads: Spot, Narrow Flood, Flood
- Finishes: Aluminum, Matte White, Matte Black
- Dimming: Trailing edge (ELV)
- CrispWhite: 90CRI/3000K combination



Actual size

LLAH



- Aluminum
- Matte White
- Matte Black

Fixture

example: LLAH11835BTECW

Series	Lumens (W)	CRI/CCT	Finishes	Dimming	Options
LLAH	11				
LLAH Alcyon LED horizontal	11 1100lm (15W)	830 80 CRI/ 3000K 835 80 CRI/ 3500K 840 80 CRI/ 4000K 927 90 CRI/ 2700K 930 90 CRI/ 3000K	A Aluminum W Matte White B Matte Black	TE TRIAC/ELV	— None (leave blank) CW CrispWhite*

* CrispWhite can only be ordered with 90/30 CRI/CCT combination. For other configurations and variations please contact the factory.

Reflector

example: LLRS

Series	Beam spreads
LL	
LL Alcyon LED horizontal	RS 13° Spot RNF 22° Narrow Flood RF 28° Flood



Spot Narrow Flood Flood

Certifications: cULus listed, ENERGY STAR® certified.



Comprehensive
.....
Track luminaires
.....
Alcyon horizontal
.....



Performance-grade

Retail

OmniSpot LED track mount

OmniSpot

Small is the new big

The smooth, contemporary style eliminates the need for heat sink fins to complement accent lighting designs from subtle to bold. Unlike all other track luminaires, OmniSpot's driver is integrated directly in the housing, for sleek compactness without distracting bulkiness.



Accommodates multiple accessories.

Features

- Efficacy: Up to 108 lm/W at 3000K
- Lumens (Watts): 600lm (6W), 1000lm (12W), 2000lm (25W)
- Correlated Color Temp. (CCT): 2700K, 3000K, 3500K, 4000K
- Color Rendering Index (CRI): 80-90
- Beam spreads: Narrow Spot, Spot, Narrow Flood, Flood
- Finishes: Aluminum, Matte White, Matte Black
- Dimming: Trailing edge (ELV)
- CrispWhite & PremiumColor: 90CRI/3000K combination

Components

1. Adapter
2. Fixture
3. Optic

Moving and adjusting the track luminaire is simple and quick, without the need for specialized equipment or training. With reliable, focused optics, it's easy to use accent lighting to create spaces that set you apart from the crowd.

Fixture

example: LC10930ALTECW

Series	Adapters	Lumens	CRI/CCT	Finishes	Dimming	Options
<input type="text" value="LC"/>	<input type="text"/>	<input type="text"/>	<input type="text"/>	<input type="text"/>	<input type="text" value="TE"/>	<input type="text"/>
LC OmniSpot LED cylinder	— Lightolier C Capri ¹ H Halo J Juno P Prospec ¹ GT Global TEK	06 600lm 10 1000lm 20 2000lm	827 80 CRI/2700 K 830 80 CRI/3000 K 835 80 CRI/3500 K 840 80 CRI/4000 K 927 90 CRI/2700 K 930 90 CRI/3000 K	AL Aluminum ¹ W Matte White BK Matte Black	TE Trailing edge (ELV)	— None (leave blank)
			930 90 CRI/3000 K	See above for finishes	TE Trailing edge (ELV)	CW CrispWhite PC PremiumColor

Reflector (order separately)

example: LLMRNS

Series	Beam spreads
<input type="text"/>	<input type="text"/>
LLM for 600lm & 1000lm LLAV11 for 2000lm	RNS 11°/12° Narrow Spot ² RS 18° Spot RNF 24° Narrow Flood RF 36° Flood

Accessories³ (order separately)

example: LC10AHWH

Series	Finishes
<input type="text"/>	<input type="text"/>
Diffusion films LC10 for 600lm & 1000lm LC20 for 2000lm	SY Symmetrical spread SF Soft focus LS Linear spread FR Frosted etched
Snoots LC10SN for 600lm & 1000lm LC20SN for 2000lm	AL Aluminum WH Matte White BK Matte Black
Accessory holders⁴ LC10AH for 600lm & 1000lm LC20AH for 2000lm	AL Aluminum WH Matte White BK Matte Black

Hex cell louvers⁵ (matte black only)

7472 for 600lm & 1000lm
LC20HC for 2000lm

OmniSpot is currently the only track luminaire to feature a sleek one-arm mount that attaches easily to almost any manufacturer's track rail, and provides less than one inch of space between the track head and track rail.

1. Prospec and Capri adapters are not available with aluminum finish. Capri adapter will be available in May 2017.
2. Reflector LLM has a 12° and LLAV11 has a 11° Narrow Spot.
3. Aperture ring on the fixture can hold a max of 1 film and 1 snoot.
4. Accessory holder can hold a max of 1 hex cell, 1 film, and 1 snoot.
5. Hex cell louver needs to be ordered with an Accessory holder.

Ideal for new projects or as retrofits onto a variety of existing track rail systems, and are convenient alternatives to invasive recessed multiples, limited gimbal systems and wasteful halogen lamps

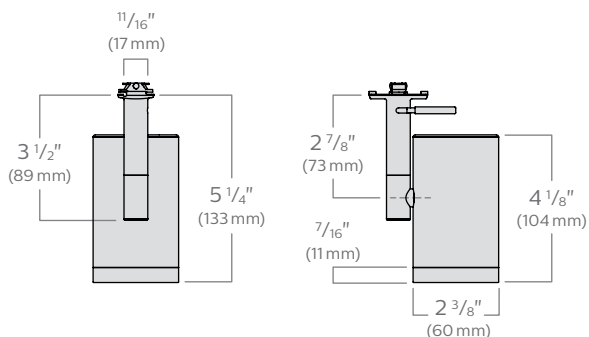


LC06 & LC10

600lm (6W) & 1000lm (12W)



- Aluminum
- Matte White
- Matte Black

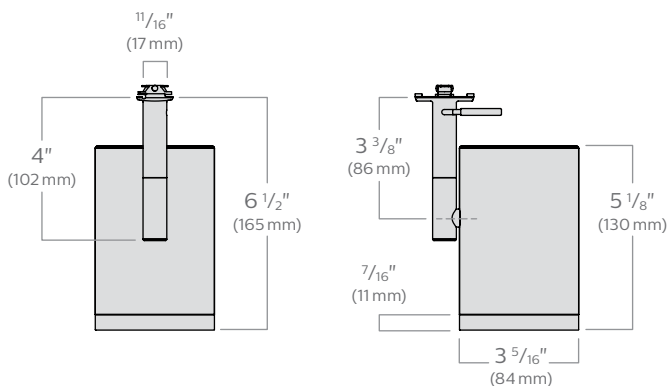


LC20

2000lm (25W)



- Aluminum
- Matte White
- Matte Black



Certifications: cULus listed, ENERGY STAR® certified.



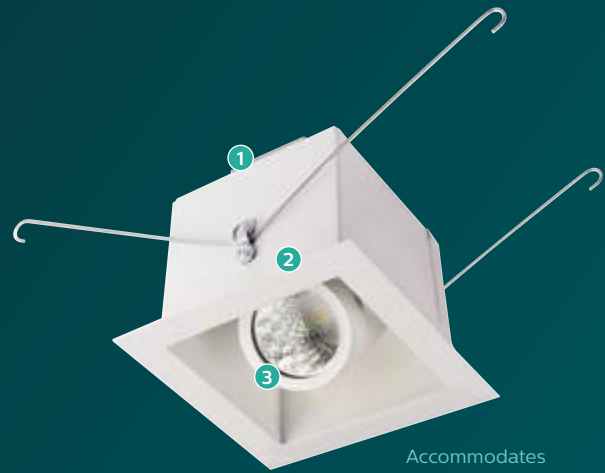
See specification sheets **LC06**, **LC10**, or **LC20** for additional drawings and technical information.

OmniSpot

recessed multiple

Small is the new big

Designed to meet the most demanding lighting challenges with discreet aesthetics while providing a high center beam candlepower – all while being neatly hidden in a ceiling for a clean streamlined look.



Accommodates multiple accessories.

Features

- Efficacy: Up to 83 lm/W at 3000K
- Lumens (Watts): 600lm (8W), 1000lm (12W)
- Correlated Color Temp. (CCT): 2700K, 3000K, 3500K, 4000K
- Color Rendering Index (CRI): 80-90
- Beam spreads: Narrow Spot, Spot, Narrow Flood, Flood
- Finishes: Matte White, Matte Black
- Dimming: Trailing edge (ELV)
- CrispWhite: 90CRI/3000K combination

Components

1. Adapter
2. Fixture
3. Optic

Frame

example: LCRM10H2

Series	Styles	Lumens	Heads
<input type="text" value="LC"/>	<input type="text" value="RM"/>	<input type="text" value="10"/>	<input type="text"/>
LC OmniSpot LED cylinder	RM Recessed Multiple	10 600lm & 1000lm	H1 1 head H2 2 head H3 3 head H4 4 head

Reflector

example: LLMRNS

Series	Beam spreads (ordered separately)
<input type="text" value="LLM"/>	<input type="text"/>
LLM Reflector for 600 / 1000lm	RNS 11° Narrow Spot RS 18° Spot RNF 24° Narrow Flood RF 36° Flood

Fixture

example: LC10930H2BKZ10U

Series	Styles	Lumens	CRI/CCT	Heads	Finishes	Flanges	Dimming/Voltage
<input type="text" value="LC"/>	<input type="text" value="RM"/>	<input type="text"/>	<input type="text"/>	<input type="text"/>	<input type="text"/>	<input type="text"/>	<input type="text" value="Z10U"/>
LC OmniSpot LED cylinder	RM Recessed Multiple	06 600lm 10 1000lm	827 80 CRI/2700K 830 80 CRI/3000K 835 80 CRI/3500K 840 80 CRI/4000K 927 90 CRI/2700K 930 90 CRI/3000K 930CW 90 CRI/3000K Crisp White	H1 1 head H2 2 head H3 3 head H4 4 head	BK Matte Black WH Matte White	– Flange (leave blank) F Flangeless	Z10U 0-10V 1% 120/277V

Accessories¹

example: LC10SNBK

Series	Finishes/Types
<input type="text"/>	<input type="text"/>
LC10AH Accessory holder ² LC10SN Snoot	WH Matte White BK Matte Black
7472 Hex cell	– Matte Black ³
LC10 Diffusion film	SY Symmetrical Spread SF Soft Focus LS Linear Spread FR Frosted Etched

1. Aperture ring on the fixture can hold a maximum of 1 film and 1 snoot.
2. Accessory holder can hold a maximum of 1 hex cell, 1 film, and 1 snoot.
3. Hex cell needs to be ordered with an Accessory holder.

Comprehensive

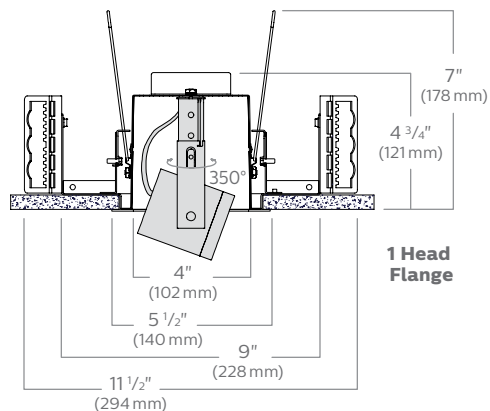
 Track luminaires

 OmniSpot
 recessed multiple



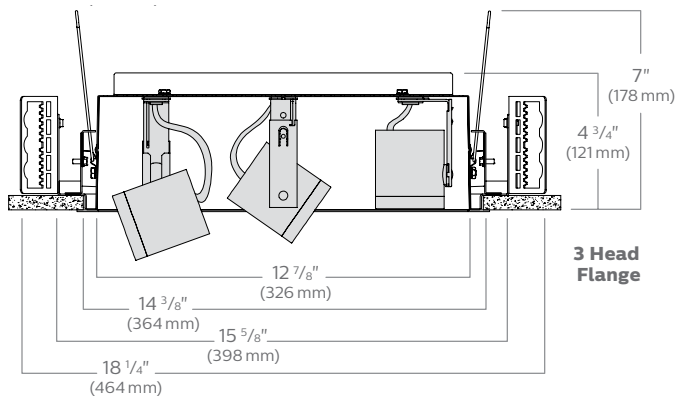
H1

1 head



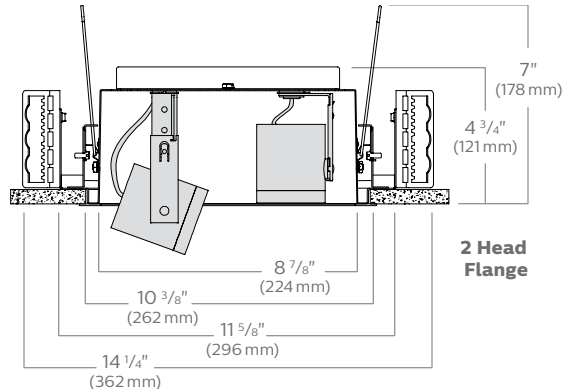
H3

1 head



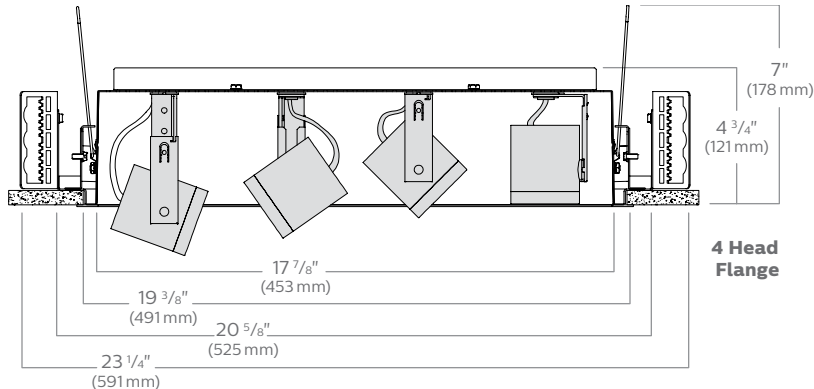
H2

2 head



H4

4 head



Certifications: cULus listed, ENERGY STAR® certified.



See specification sheets LCRM for additional drawings and technical information.

Spot LED

The perfect balance between energy savings and visual performance

A high brightness LED track solution in a multi-optic LED design. Ideal for customers concerned with energy, beam quality and visual performance. Multiple accessories available to customize the light output and visual appearance of the fixture.



Features

- Efficacy: Up to 78 lm/W at 3000K
- Lumens (Watts): 600lm (10W), 1000lm (14W), 2000lm (28W), 3000lm (39W)
- Correlated Color Temp. (CCT): 2700K, 3000K, 4000K
- Color Rendering Index (CRI): 80-85
- Beam spreads: Spot, Narrow Flood, Flood
- Finishes: Aluminum, Matte White, Matte Black
- Dimming: Trailing edge (ELV)

Components

1. Fixture
2. Diffusion filter
3. Hex cell louver
4. Snoot
5. Accessory holder

Fixture

example: LLAB030RSALVA

Series	Lumens(W)	CCT	Beam spreads	Adapters	Finishes ¹	Version
LLAB	<input type="checkbox"/>	<input type="checkbox"/>	<input type="checkbox"/>	<input type="checkbox"/>	<input type="checkbox"/>	<input type="checkbox"/>
LLAB Spot LED	S 600lm (10W)	27 2700K 30 3000K	RS 9° Spot RNF 20° N. Flood RF 36° Flood	— Lightolier H Halo J Juno GG GES ² GT GTek GH HTEk	AL Alum. WH White BK Black	VA Version A (not applicable to any LLABS configurations - leave blank)
	0 1000lm (14W)	27 2700K 30 3000K 40 4000K	RS 9° Spot RNF 20° N. Flood RF 36° Flood			
	1 2000lm (28W)	27 2700K 30 3000K 40 4000K	RS 8° Spot RNF 20° N. Flood RF 38° Flood			
	3 3000lm (39W)	27 2700K 30 3000K 40 4000K	RS 8° Spot RNF 23° N. Flood RF 40° Flood			

1. All fixtures are painted with matte finishes.
2. GES adapter is not available with LLABS.
3. Accessories are not ENERGY STAR® qualified.
4. Accessory 8595 comes in black; for white add WH.
5. Color filters will project colored light on ceiling.

Accessories³

example: 23NT6AL

Series	Finishes
<input type="checkbox"/>	<input type="checkbox"/>
Accessory holders	
LLABSAH for 10W & 14W series 8595 for 28W ⁴ LLAB1AH for 39W series	WH Matte White BK Matte Black
Snoots	
23N30 for 10W & 14W series 23NT6 for 28W & 39W series	AL Aluminum WH Matte White BK Matte Black
Diffusion filters	
AF3 for 10W & 14W series AF4 for 28W & 39W series	
Color filters⁵	
ADF3 for 10W & 14W series ADF4 for 28W & 39W series	
Hex cell louvers (matte black)	
AL3HC for 10W & 14W series AL4HC for 28W & 39W series	

Customization

Compatible with 4, 9 & 12 LED array track luminaires



Shown with matte black accessory holder, aluminum snoot and hex cell louver.



Shown with matte black accessory holder and hex cell louver.



Shown with matte black accessory holder and aluminum snoot.



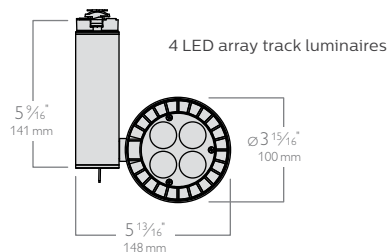
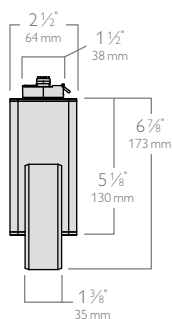
Actual size

LLABS & LLABO

600lm (10W) & 1000lm (14W)

The 9° Spot (RS) delivers 16,586 CBCP in the 600lm and 28,696 in the 1000lm.

- Aluminum
- Matte White
- Matte Black

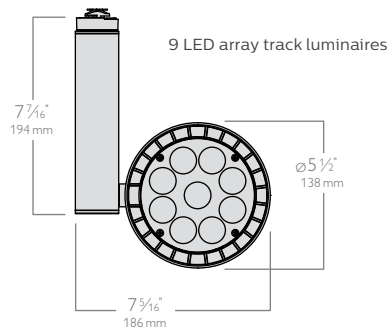
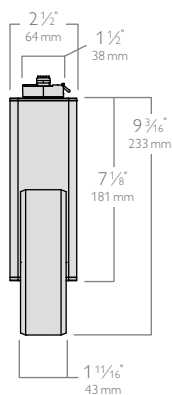


LLAB1

2000lm (28W)

The 8° Spot (RS) delivers 54,726 CBCP.

- Aluminum
- Matte White
- Matte Black

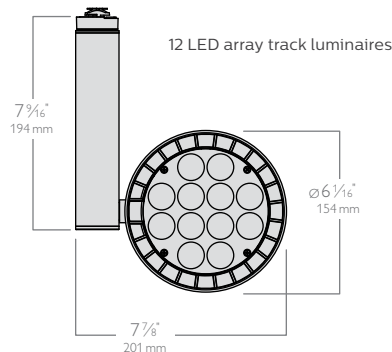
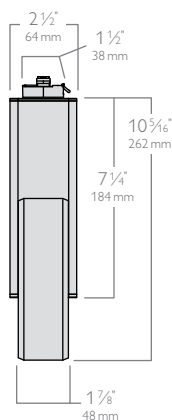


LLAB3

3000lm (39W)

The 8° Spot (RS) delivers more than 82,040 CBCP.

- Aluminum
- Matte White
- Matte Black



Certifications: cULus listed, ENERGY STAR® certified.

See specification sheets **LLABS**, **LLABO-VA**, **LLAB1-VA**, or **LLAB3-VA** for additional drawings and technical information.



Spot LED

recessed multiple

The perfect balance between energy savings and visual performance

Spot LED recessed is a two-part system that offers a high-performing architectural approach to demanding accent lighting needs. Multiple heads provide 360° rotation and 90° tilt with the flexibility to both harness and focus light in the built environment.



Accommodates multiple accessories.

Features

- Efficacy: Up to 84 lm/W at 3000K
- Lumens (Watts): 1000lm (13W), 1600lm (22W)
- Correlated Color Temp. (CCT): 2700K, 3000K, 4000K
- Color Rendering Index (CRI): 80-85
- Beam spreads: Spot, Narrow Flood, Flood
- Finishes: Matte White, Matte Black

Components

1. Frame
2. Trim
3. Diffusion filter
4. Hex cell louver
5. Snoot
6. Accessory holder

Frame

example: LLABR24WH130H3RSVA

Series	Lengths	Finishes	Lumens (Watts)	CCT	Heads	Beam spreads	Version
LLABR	<input type="text"/>	<input type="text"/>	<input type="text"/>	<input type="text"/>	<input type="text"/>	<input type="text"/>	VA
LLABR Spot LED recessed multiple	9 9" for 1 head 17 17" for 2 head 24 24" for 3 head 32 32" for 4 head	WH Matte White BK Matte Black	0 1000lm (13W) 9 LED array 1 1600lm (22W) 12 LED array	27 2700 K 30 3000 K 40 4000 K ¹	H1 1 head H2 2 head H3 3 head H4 4 head	RS 10° Spot RNF 22° Narrow flood RF 36° Flood	VA Version A

Trim

example: LLABR24WHW

Series	Lengths	Finishes	Flanges
LLABR	<input type="text"/>	<input type="text"/>	<input type="text"/>
LLABR Spot LED recessed multiple	9 9" for 1 head 17 17" for 2 head 24 24" for 3 head 32 32" for 4 head	WH Matte White BK Matte Black	W With flange FT Flangeless trim

Mud-in kit

example: LLABR24MK

Series	Lengths	Options
LLABR	<input type="text"/>	MK
LLABR Spot LED recessed multiple	9 9" for 1 head 17 17" for 2 head 24 24" for 3 head 32 32" for 4 head	MK Mud-in kit is only available with flangeless trim (FT) option

1. Consult factory for 4000K (40) CCT option availability.
2. Accessories are not ENERGY STAR® qualified.
3. Color filters will project colored light on ceiling.

Accessories²

example: LLAB1AHWH

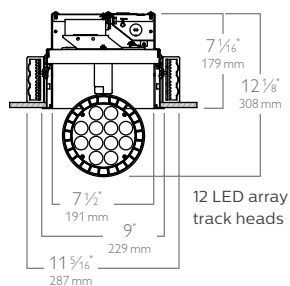
Series	Finishes
<input type="text"/>	<input type="text"/>
Accessory holders	
8595 for 13W series LLAB1AH for 22W series	WH Matte White BK Matte Black
Snoots	
23SNT6 for 13W & 22W series	WH Matte White BK Matte Black
Diffusion filters	
AF4 for 13W & 22W series	LS Linear Spread SY Symmetrical Spread SF Soft Focus FR Frosted Etched
Color filters³	
ADF4 for 13W & 22W series	
Hex cell louvers (matte black)	
AL4HC for 13W & 22W series	

Actual size

LLABR9

1000lm (13W)

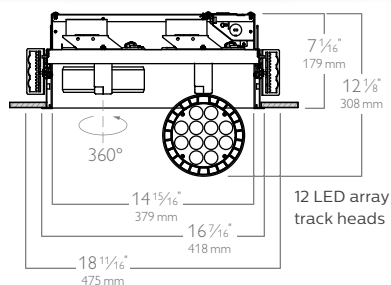
- Matte White
- Matte Black



LLABR17

1000lm (13W)

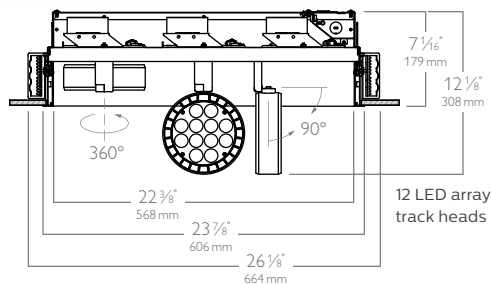
- Matte White
- Matte Black



LLABR24

1000lm (13W)

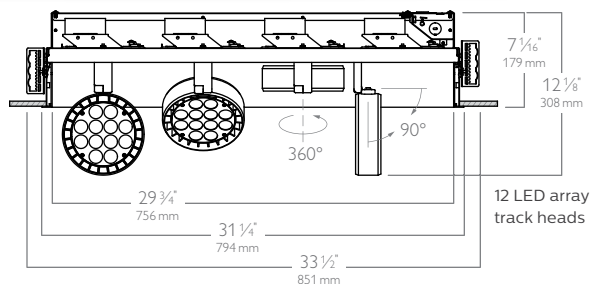
- Matte White
- Matte Black



LLABR32

1000lm (13W)

- Matte White
- Matte Black



Certifications: cULus listed, ENERGY STAR® certified.

See specification sheet LLABR for additional drawings and technical information.



LightFlood

Delivers a powerful, uniform punch of light.

LightFlood LED is a linear flood fixture that delivers a powerful, uniform beam and high efficacy for wall washing.

Features

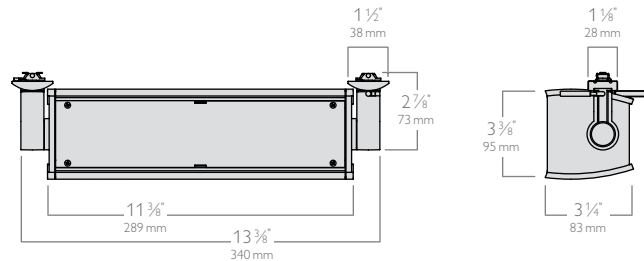
- Efficacy: Up to 100 lm/W at 3000K
- Lumens (Watts): 2000lm (23W), 4000lm (45W)
- Correlated Color Temp. (CCT): 2700K, 3000K, 4000K
- Color Rendering Index (CRI): 80
- Finishes: Aluminum, Matte White, Matte Black
- Dimming: Trailing edge (ELV) and TRIAC



Accommodates multiple accessories.

Actual size

LLF



- Aluminum
- Matte White
- Matte Black

Fixture

Series	Lumens (Watts)	CCT	Adapters	Finishes
LLF	<input type="checkbox"/>	<input type="checkbox"/>	<input type="checkbox"/>	<input type="checkbox"/>
LLF LightFlood LED	2 2000lm (23W) 4 4000lm (45W)	27 2700K* 30 3000K 40 4000K	- Lightolier J Juno H Halo GG Global GES GH Global HTEK GT Global TEK	AL Aluminum WH Matte White BK Matte Black

* Consult with factory for 2700K.

Accessories

Series	Finishes
<input type="checkbox"/>	<input type="checkbox"/>
LLF2LV Louver: designed to provide additional light shielding and reduce lamp glare when needed.	BK Matte Black
LLF2VS Visor: designed with interior reflector to direct light toward surface to create a washing effect.	AL Aluminum WH Matte White BK Matte Black

Mounting

For use with Radius, Basic and Advent track. For monopoint applications refer to specification sheet **6170** and **6190** (will require two monopoints). Not compatible with extension wands, multipoint, ProSpec track, clamp-on monopoint or sloped ceiling adapter.

Certifications: cULus listed, ENERGY STAR® certified.



Gimbal LED

Clean design for a close fit.

Gimbal LED offers a specifically designed form to create a close fit with LED lamps featuring a miniaturized detailed yoke and ring-shaped lampholder.

Comprehensive
Track luminaires
LightFlood
& GimbalLED

Actual size

Features

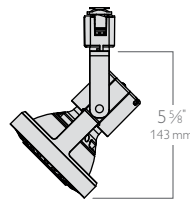
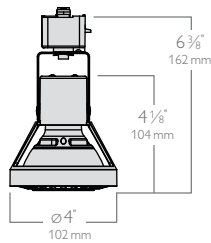
- Finishes: Aluminum, Matte White, Matte Black
- Lamping: Front re-lamping for easy maintenance
- Adjustments: Adjusts horizontally up to 350° and vertically up to 90°



9030N



- Aluminum
- Matte White
- Matte Black



ExpertColor lamps

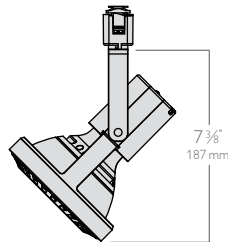
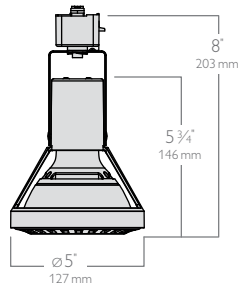


Visit Philips.com/ExpertColor for information about PAR30 LED lamps or contact your Philips representative for other LED lampping options.

9038N



- Aluminum
- Matte White
- Matte Black



ExpertColor lamps



Visit Philips.com/ExpertColor for information about PAR38 LED lamps or contact your Philips representative for other LED lampping options.

Fixture

example: 9030NWH

Series	Finishes
<input type="text"/>	<input type="text"/>
9030N LED gimbal ring track luminaire PAR30	AL Aluminum
9038N LED gimbal ring track luminaire PAR38	WH Matte White
	BK Matte Black

Order lamp separately: 75W PAR30 maximum and 120W PAR38 maximum.

Certifications: cULus listed, ENERGY STAR® certified.

Complete product is comprised of a fixture with no accessories. See specification sheet **9030N** or **9038N** for additional drawings and information.



CorePro LED

A completely integrated LED luminaire

This mini cylinder delivers both lumen and CBCP performance equivalent to that of most 50W MR16 halogen luminaires while consuming 82% less energy and providing easy maintenance. The completely integrated driver, thermal management, and unitized optics provide sleek aesthetics while delivering a uniform beam, making it the easy choice for many retail, residential, and hospitality accent lighting needs.



Features

- Efficacy: Up to 107 lm/W at 3000K
- Lumens (Watts): 900lm (9W)
- Correlated Color Temp. (CCT): 2700K, 3000K
- Color Rendering Index (CRI): 80-90
- Beam spreads: Narrow Flood, Wide Flood
- Finishes: Aluminum, Matte White, Matte Black
- Dimming: Trailing edge (ELV)
- CrispWhite: 90CRI/3000K combination

Components

1. Adapter
2. Fixture
3. Optic

Fixture

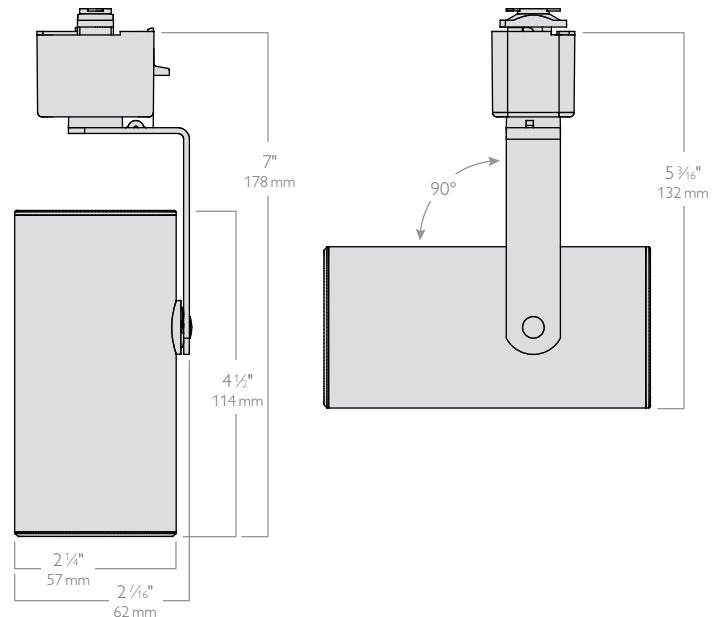
example: LT08RNF930WHCW

Series	Adapters	Lumens (Watts)	Beam spreads	CRI/CCT	Finishes	Options
<input type="checkbox"/> LT	<input type="checkbox"/>	<input type="checkbox"/> 08	<input type="checkbox"/>	<input type="checkbox"/>	<input type="checkbox"/>	<input type="checkbox"/>
LT CorePro LED mini cylinder	<ul style="list-style-type: none"> – Lightolier C Capri¹ H Halo J Juno 	08 900lm (9W)	<ul style="list-style-type: none"> RNF 23° Narrow Flood RWF 35° Wide Flood 	<ul style="list-style-type: none"> 827 80 CRI/2700 K 830 80 CRI/3000 K 927 90 CRI/2700 K 930 90 CRI/3000 K² 	<ul style="list-style-type: none"> AL Aluminum¹ WH Matte White BK Matte Black 	<ul style="list-style-type: none"> – None (leave blank) CW CrispWhite² PC PremiumColor²

1. The Capri (C) adapter is not available with an Aluminum (AL) finish.
2. Only available for the 90 CRI/3000 K (930) CRI/CCT configuration. PremiumColor available Q3 2018. For other configurations and variations please contact the factory.

Designed with simplicity in mind

Constructed of extruded aluminum and steel with a powder-coated finish. Available beam patterns include 20° narrow and 35° wide floods. By combining the optics, light source, thermal management system and driver into a single housing, this luminaire provides a sleek look suitable for lower mounting heights and smaller spaces. Additional design features includes ELV dimming and compatible track adapters.



- Comprehensive
- Track luminaires
- CoreProLED**



Actual size

LT08

900lm (9W)



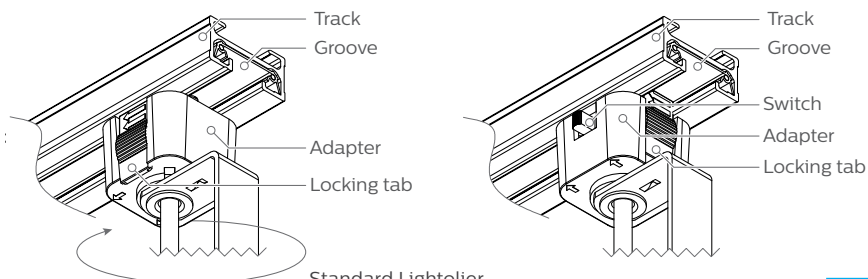
- Aluminum
- Matte White
- Matte Black



Lightolier, Halo and Capri track adapters depicted above (Juno adapter also available).

Track Adapters

The product line offers a range of competitor adapters for retrofit and renovation projects to improve ROI by not replacing existing track installations and limiting down time during the install.



Standard Lightolier track adapter depicted above.

Certifications: cULus listed, ENERGY STAR® certified.

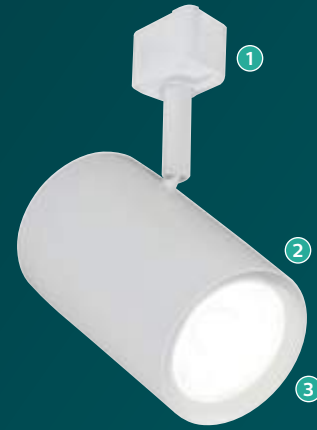
See specification sheet **LT08** for additional drawings and technical information.



Track Head

The light you want at the budget you need

Lightolier LED Track Head is the latest budget-friendly addition to track lighting. This pint-sized cylinder delivers great performance compared to halogen, while consuming less energy. The Track Head driver is completely integrated, has engineered optics and a thermal management system which deliver a uniform, targeted beam of light. When it comes to track lighting, this is an easy choice.



Features

- Efficacy: Up to 89 lm/W at 3000K
- Lumens (Watts): 1100lm (16W) & 3000lm (38W)
- Correlated Color Temp. (CCT): 3000K
- Color Rendering Index (CRI): 90 min
- Beam spreads: Spot, Narrow Flood, Flood
- Finishes: Matte White, Matte Black
- Dimming: Trailing edge (ELV) and TRIAC down to 10%

Components

1. Adapter
2. Fixture
3. Optic

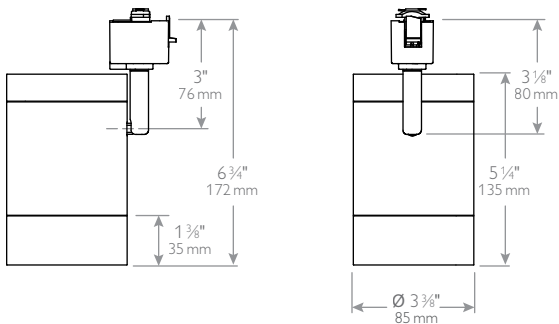
Fixture

example: THL10930NF1W

Family	Adapter	Lumens	CRI	CCT	Beam	Voltage	Finish
TH	<input type="text"/>	<input type="text"/>	9	30	<input type="text"/>	1	<input type="text"/>
TH Track head	– Lightolier J Juno	10 1100 lm	9 90CRI	30 3000K	S Spot (15°)	1 120V	W White (matte) B Black (matte)
		30 3000 lm	9 90CRI	30 3000K	NF Narrow Flood (30°) F Flood (36°)		

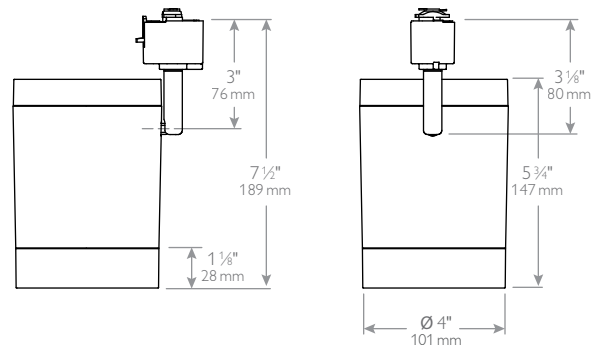
TH10

1100 lm (14 & 16W)



TH30

3000 lm (36 & 38W)



- Comprehensive
- Track luminaires
- Track Head**



Actual size

Track Head Advantages

High lumens & low wattage at a fraction of the cost of other LED track lighting solutions

Provides the efficiency, output and lifetime only an integrated LED solution can offer

Easy installation with no need to replace halogen lamps and bi-pin sockets

Compact housing and integrated LED solution provides a clean, sleek look, that doesn't draw attention away from where it's needed



Budget-grade

Certifications: CETLus listed, ENERGY STAR® certified.

See specification sheet **TH** for additional drawings and technical information.



Tangent Low & Line Voltage track luminaires

Tangent delivers the performance and convenience of line voltage in a profile no larger than most low voltage rail systems and is ideal for commercial, retail, and residential applications. It may be surface mounted or suspended, in straight runs.

Low Voltage

Each Tangent luminaire is designed and constructed for superior performance, clean architectural styles and quality. Low voltage utilizes a wide variety of lamps including MR16, AR111, and T3. Fixture options include spots, floods, adjustable suspended spots, and miniature decorative pendants.

Available finish

■ AL Aluminum



Line Voltage

Line voltage utilizes a variety of lamps including MR16 and T4 options. Tangent features minimal styling, and simple, easy relamping. There is an infinite horizontal rotation.

Available finish

■ AL Aluminum



ExpertColor lamps



Visit Philips.com/ExpertColor for information about MR16 LED lamps or contact your Philips representative for other LED lamping options.

MR16 conventional to LED sources

MR16 conventional	ExpertColor	ExpertColor	ExpertColor
50W halogen	7W S10 90CRI LED	7W F25 90CRI LED	7W F35 90CRI LED
	470138 (2700K)	470161 (2700K)	470195 (2700K)
	470146 (3000K)	470179 (3000K)	470203 (3000K)
	470153 (4000K)	470187 (4000K)	470211 (4000K)
	7W S10 90CRI Retail LED	7W F25 90CRI Retail LED	7W F35 90CRI Retail LED
	470229 (3000K)	470237 (3000K)	470245 (3000K)

Tangent Surface Mount track systems

Surface Mount



Innovative side by side buss-bars minimize overall height and allow Tangent to be mounted directly to ceilings and walls without bulky stand-offs. Tangent line voltage track is rated for a full 20 amps at 120V. Tangent may be installed in an infinite variety of configurations. Surface mounted on ceilings or walls, or suspended from wire or stems, in straight or curved patterns. Tangent may be field bent to a minimum radius of 3 feet allowing for a diverse variety of custom configurations for any application.

Surface mount beam

- FX04 Silver, plain surface 4' track
- FX08 Silver, plain surface 8' track
- FX12 Silver, plain surface 12' track

For mounting directly to ceilings or walls. Extruded aluminum/polycarbonate construction. Includes two end caps as shown. Anchors/mounting clips not included (order separately).



Note: Surface mount anchors or clips are required a minimum of every 3 feet on surface mount track. Anchors/clips are available in packs of 5; order accordingly. Consult specification sheet #FX for installation details.



Surface mounting anchor
 FX25 Silver

Mounts track to hard ceilings/walls. Pack of 5 anchors with hex wrench.



Power feed
 FX48 Silver

Surface power feed supplies power anywhere along track. For direct wiring without a j-box.



In-line connector

- FX54 Silver, electrical/mechanical
 Connects surface track in straight runs with continuous power.
- FX55 Silver, mechanical only
 Connects surface track in straight runs without continuous power.

Note: Not a power feed device.

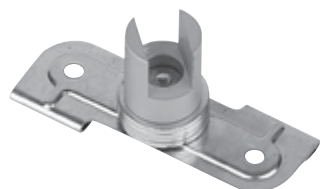


Variable angle connector

- FX53 Silver, electrical/mechanical
- FX52 Silver, mechanical only

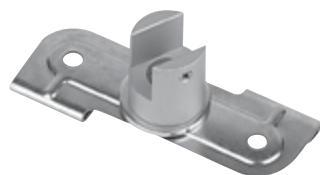
Connects surface track to provide flexibility when creating patterns with continuous power.

Note: Not a power feed device.



Regressed-edge clips
 FX87 Silver

For regressed-edge grid ceilings. Pack of 5 clips with hex wrench.



Square-edge clips
 FX89 Silver

For square-edge grid ceilings. Pack of 5 clips with hex wrench.



Surface power feed
 FX61 Silver
 FX61WH White

Surface power feed from J-Box. Supplies power anywhere along track. Includes canopy cover for j-box.



Surface power feed
 FX96 Silver
 FX96WH White

Grid ceiling power feed. Supplies power anywhere along track. Mounts directly to grid ceiling runners. Includes canopy cover for J-box.



Surface Powertrip
 FX99 Silver

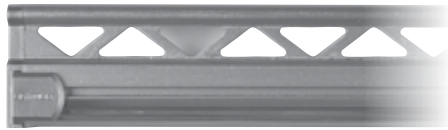
Powertrip feed kit for surface track. Compatible with PLD plug in breakers.

Tangent Suspension track systems



Suspension Truss and Beam

Crisp architectural design is ideal for suspended applications where a larger profile is desired. Tangent perforated truss makes a dramatic statement in suspended applications with a unique “engineered” aesthetic.



Suspension truss

FXT08 Silver, clear anodized plain 8' truss

For suspension from cable or stem kits. Extruded aluminum/polycarbonate construction. Includes two end caps as shown. Power feed and suspension kits sold separately.



Suspension beam

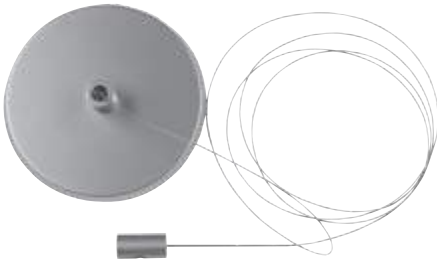
FXS04 Clear anodized plain beam 4' track
 FXS08 Clear anodized plain beam 8' track
 FXS12 Clear anodized plain beam 12' track



Note:
 Not a power feed device.

In-line connector

FXS54 Silver, electrical/mechanical
 Connects suspension beam or truss in straight runs with continuous power.



Cable suspension

FXS68 Silver, 8' adjustable stainless steel aircraft cable. Installs on hard or grid ceilings. Ceiling canopy included.

Note: Not a power feed device. For suspension only. Cable Kits are required a minimum of every 6 feet on Suspended Beam or Truss track. Cable Kits include one suspension point each; order accordingly. Consult specification sheet #FXS for installation details.

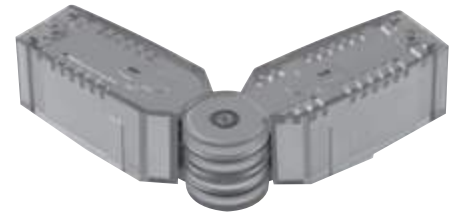


Stems may be field shortened.

Stem suspension

FXS84 Silver, 18" Stem suspension kit
 FXS86 Silver, 48" Stem suspension kit

Note: Not a power feed device. For suspension only. Stem Kits are required a minimum of every 6 feet on Suspended Beam or Truss track. Stem Kits include one suspension point each; order accordingly. Consult specification sheet #FXS for installation details. The 1/4" diameter solid steel stem install on hard or grid ceilings. Ceiling canopy included.



Variable angle connector

FXS53 Silver, electrical/mechanical
 FXS52 Silver, mechanical only

Connects surface track to provide flexibility when creating patterns with continuous power.

Note: Not a power feed device.



Power feed

FXS67 Silver, 20A feed supplies power anywhere along track

The 10' power cable may be field shortened. Includes canopy cover for J-box.

Note: Not a power suspension device. For power feed only.



Suspended Powertrip

FXS99 Silver

Powertrip feed kit for suspended track. Compatible with PLD plug in breakers.

Track & Monopoints

For all track luminaires

- Comprehensive
- Track luminaires
- Track systems**

While continually improved over the years, our original track design from 1961 remains intact. Every Lightolier track luminaire today will work on the very first piece of track we ever produced.

We use the original design because of the unique "C" channel conductor which allows for robust connectivity and longer durability, making Lightolier track superior to any competitor. The conductor prevents arcing - when the track luminaire loses connection to the track. Lytespan track has three standard track system options: Radius, Basic, and Advent.



Radius

One Circuit
One Neutral



Basic

One Circuit
One Neutral



Advent

Two Circuit
One Neutral

Radius

Sleek and streamlined

Radius is the slimmest track option that allows it to virtually disappear into the ceiling and blend easily into any decor.



- Aluminum (RA)
- Matte White (WH)
- Matte Black (BK)

1-3/8" W by 1/2" H

Plain Track

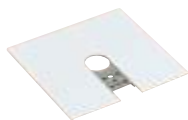
- 9102 (2-foot)
- 9104 (4-foot)
- 9106 (6-foot)
- 9108 (8-foot)

Includes one dead end cover and hardware.

Features

- Single circuit with capacity of 20 amps at 120V
- Surface or stem mount options
- Can be used in runs or patterns
- Can be field cut

Outlet Box Cover 9060 (BK & WH)



Mounts directly on connector.

For use with Feed L/In-Line Connector 9155, 9150 and 9151.

Surface Feed (live end included) 9147 (BK & WH)



For feeding power from surface conduit with 1/2 - 14 IPS connector (by others).

Live End Power Feed 9148 (BK & WH)



Electrifies track from beginning of run.

Mini-Coupler 9149 (BK & WH)



Invisible spline for joining two track sections. Not a power feed point.

Flush Non-Feed 9150 (BK & WH)



Includes both straight & 90° cover

T-Feed 9151 (BK & WH)



Variable Angle Connector 9153 (BK & WH)



Not a power feed point.

Adjusts 90° in both directions.

Flush Feed 9155 (BK & WH)



Includes both straight & 90° cover

Live End Canopy 9160 (BK & WH)



Includes Live End. Junction box feed.

Cord & Plug (not U.L. listed) 9162 (BK & WH)



Capacity, 7 amps at 120V.

Includes 15' 2-conductor cord and plug set with in-line switch.

Saddle Canopy 9163 (BK & WH)



Includes a dead end cover.

Mounts to any point along track for power feed from 3" or 4" octagonal outlet box.

T-Bar Canopy 9196 (BK & WH)



Includes Live End. Suspended ceiling feed.

Replacement Dead End Cover 56430 (BK & WH)



T-Bar Mounting Clips (set of 9) 9188 for Square-edge ceiling panels 9189 for Regressed-edge ceiling panels



Available in zinc (standard) and WH finishes.

Basic

Unparalleled design integrity

Basic Track is a one circuit one neutral track that allows for many additional options.



Aluminum
 Matte White
 Matte Black
 1-3/16" W by 3/4" H

Advent

Unparalleled design integrity

Advent Track is a two circuit one neutral, allowing for additional load capacity.



Aluminum
 Matte White
 Matte Black
 1-3/16" W by 1-1/8" H

Comprehensive

 Track luminaires

**Radius, Basic
 and Advent**

Features

- Basic: Single circuit with capacity of 20 amps at 120V
- Advent: Double circuit with capacity of 40 amps at 120/240V
- Can be installed vertically or horizontal on walls
- Can be field cut
- Use with suspension beam or recessed housings

Basic Ind. Track
 6000N (2-foot)
 6001N (4-foot)
 6002N (8-foot)

Advent Ind. Track
 6101N (2-foot)

 6102N (8-foot)

Basic Joiner
 6003N (8-foot)

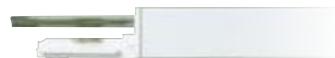
Advent Joiner
 6103N (8-foot)

Basic Plain Track
 6004N (45-1/4")
 6008N (93-1/4")
 6012N (141-1/4")

Advent Plain Track
 6104N (43-1/2")
 6108N (91-1/2")
 6112N (139-1/2")

Basic replacement dead end cover
 56475N Matte White
 56476 Aluminum
 56491 Matte Black

Advent replacement dead end cover
 56308NWH Matte White
 56309NAL Aluminum
 56312NBK Matte Black



Aluminum
 Matte White
 Matte Black

Includes Live End, Dead End Cover and hardware.

Aluminum
 Matte White
 Matte Black

Includes concealed Mini-Coupler and hardware.

Aluminum
 Matte White
 Matte Black

Includes Dead End Cover and hardware.

In-Line Connectors

6054N Basic (BK, WH & AL) 6154N Advent (BK, WH & AL)



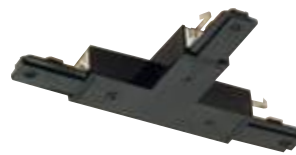
Basic "L" Connectors

6050N Basic (BK, WH & AL) 6150N Advent (BK, WH & AL)



"T" Connector

6051N Basic (BK, WH & AL) 6151N Advent (BK, WH & AL)



"X" Connector

6052N Basic (BK, WH & AL) 6152N Advent (BK, WH & AL)



Above In-Line, "L", "T", and "X" Connectors can be fed directly with electrical connector.

Variable Angle Connector

6053N Basic (BK, WH & AL) 6153N Advent (BK, WH & AL)



Flexes 90° in all directions.

Can be fed directly with electrical connector.

Power Extension Connector

6046N Basic (BK, WH & AL) 6146N Advent (BK, WH & AL)



Use opposite Live End to power other track sections when obstructions exist.

Live End Connector

6048N Basic (BK, WH & AL) 6148N Advent (BK, WH & AL)



Electrifies track from beginning of run (Included in Individual Track).

Mini Coupler (included in joiner)

6049N Basic (BK, WH & AL) 6149N Advent (BK, WH & AL)

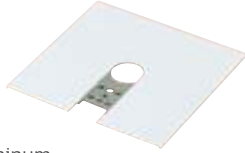


Invisible spline for joining two track units. Not a power feed point.

Basic & Advent track accessories

End Feed Canopy kits

6060 4 1/2" square



- Aluminum
- Matte White
- Matte Black

Mounts above feed connectors.

Floating Canopy kits

6061N 4 1/2" square



- Aluminum
- Matte White
- Matte Black

Mounts above track.

Grid Ceiling Canopy kits

6096N 4 1/2" square



- Matte White

Outlet box included.

Saddle Canopy kits

6063 4 1/2" square (Basic only)



- Aluminum
- Matte White
- Matte Black

For power feed from 4" junction box.

18" Stem mounting kits

- 7584AL Aluminum
- 7584 Matte White
- 7683 Matte Black

48" Stem mounting kits

- 7586 Matte White
- 7681 Matte Black

48" Stem extension kits

- 7582AL Aluminum
- 7582 Matte White
- 7680 Matte Black

48" Stem swivel kits

- 7480AL Aluminum
- 7480 Matte White
- 7481 Matte Black

(0°-90° adjustment for sloped ceilings)



- Aluminum
- Matte White
- Matte Black

Conduit Adapter

7596 Zinc plated (Basic only)



For feeding power to Basic Track from surface conduit with 1/2" - 14 IPS connector.

Replacement Stem Hanger Assembly

56417 Zinc plated (Basic or Advent)



Included with Stem Mounted Kits. For use with 1/4" - 18NPSM Threaded Stem.

Grid Ceiling Mounting Clips

6087 Zinc plated (set of 9)



- Matte White

For Regressed-Edge Panels and 9/16" or 15/16" T-Bar runners.

Grid Ceiling Mounting Clips

6088 Zinc plated (set of 9)



- Matte White

For Regressed-Edge Panels and Slotted Grid runners in ceiling systems.

Grid Ceiling Mounting Clips

6089 Zinc plated (set of 9)



- Matte White

For Square-Edge Panels and 9/16" or 15/16" T-Bar runners.

Sloped Ceiling Adapter

6079 (Basic, Advent or Radius)

Can be used alone or with extension wands.

4 1/8" overall length



- Matte White
- Matte Black

Use to adjust Lytespots from 0 - 90° on monopoint or track for sloped and cathedral ceilings.

Surface Track Mounting Clips

56451 Zinc plated (set of 10).

Stands track off ceiling 1/16".



- Matte White
- Matte Black

Replacement clips, included with Basic and Advent Track. Stands track off ceiling 1/16".

Pendant Adapter

7599 (Basic, Advent or Radius)



- Matte White
- Matte Black

Supports cord mounted fixtures up to 10 lbs. and stem or chain mounted fixtures to 25 lbs 6 amps.

Basic & Advent track accessories

Basic Monopoint

6190 4 5/8" dia. x 1/4"D



- Aluminum
- Matte White
- Matte Black

Ultra shallow mounts fixtures to 3 1/2" or 4" octagon outlet box. Use 90°C min. supply wire.

Rectangular Monopoint

6170 5 5/8"L x 4 1/2"W x 1/4"D



- Aluminum
- Matte White
- Matte Black

Ultra shallow mounts fixtures to 3 1/2" or 4" octagon outlet box. Use 90°C min. supply wire.

Multipoint

7619 11 5/8"L x 4 1/2"W x 9/16"D



- Matte White
- Matte Black

Surface mounts of up to 3 average sized Lytespots, depending on fixture size, over any standard outlet box. Use 90°C min. supply wire.

Convenience Outlet

6085 Capacity 6 amps (WH)



- Matte White

Provides auxiliary source for plug-in equipment. Also compatible with Radius track. (Not UL listed.)

Attachment Fitting

7589 Capacity 6 amps (WH)

7589BK Capacity 6 amps (BK)



- Matte White
- Matte Black

Supports cord mounted fixtures up to 10 lbs. and stem or chain mounted fixtures to 25 lbs. Chain not included.

Cord and Plug

6062 (Basic only)



- Matte White
- Matte Black

For Basic one-circuit track only. Includes 15-foot, two-conductor cord and plug set with in-line switch. Capacity 7 amps at 120V. Not UL Listed.

Extension Wands

6074 18" length, Stem dia. 1/2" (not available in AL)

6075 36" length, Stem dia. 1/2"

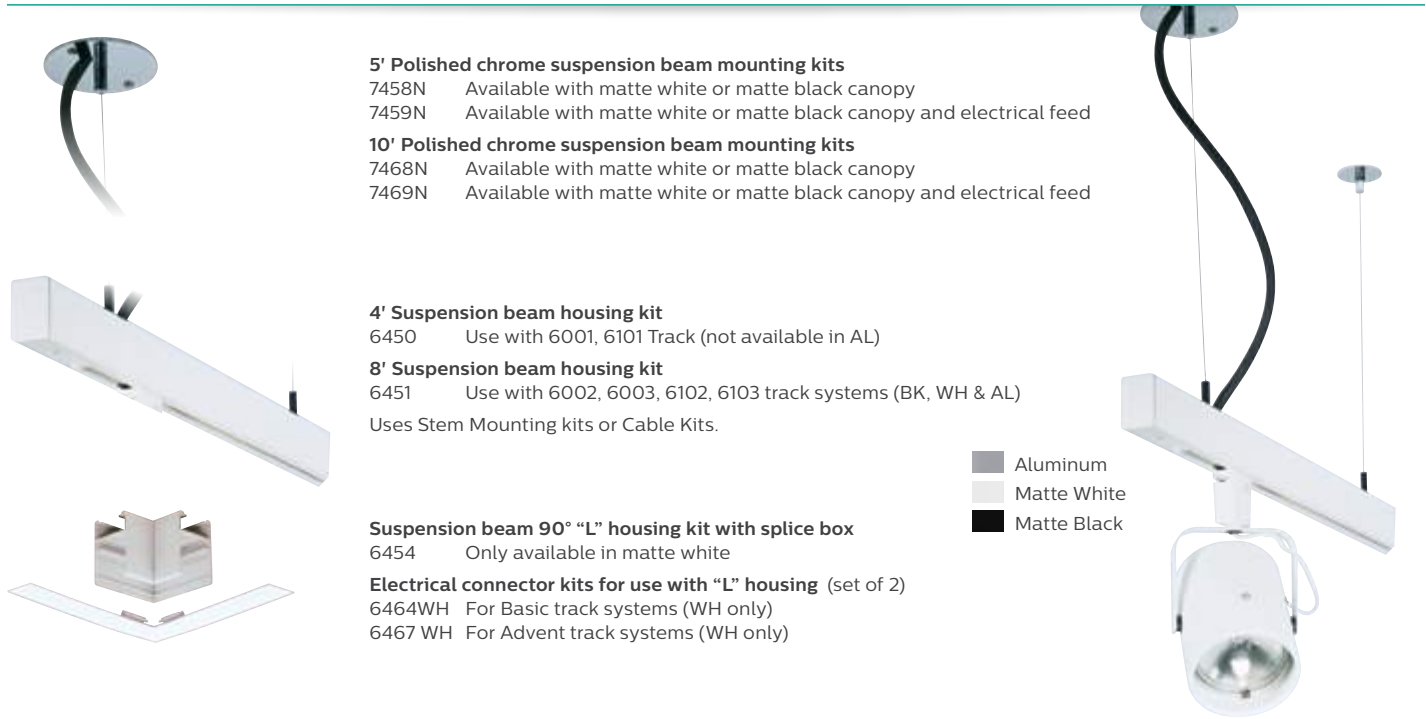
6076 48" length, Stem dia. 1/2"

Extends track luminaire below track system. Can be connected together with an 8' max. Compatible with Radius track system. May not be field cut.

- Aluminum
- Matte White
- Matte Black



Suspension beam track systems



5' Polished chrome suspension beam mounting kits
 7458N Available with matte white or matte black canopy
 7459N Available with matte white or matte black canopy and electrical feed

10' Polished chrome suspension beam mounting kits
 7468N Available with matte white or matte black canopy
 7469N Available with matte white or matte black canopy and electrical feed

4' Suspension beam housing kit
 6450 Use with 6001, 6101 Track (not available in AL)

8' Suspension beam housing kit
 6451 Use with 6002, 6003, 6102, 6103 track systems (BK, WH & AL)
 Uses Stem Mounting kits or Cable Kits.

Suspension beam 90° "L" housing kit with splice box
 6454 Only available in matte white

Electrical connector kits for use with "L" housing (set of 2)
 6464WH For Basic track systems (WH only)
 6467 WH For Advent track systems (WH only)

Legend:
 Aluminum
 Matte White
 Matte Black

Recessed housing track systems



Recessed Track
 Available in straight runs and is fed from End Splice Box installed at the end of or between 4' or 8' housings.

Legend:
 Matte White
 Matte Black

Recessed Track Replacement Parts

56411	Mounting Clips for Advent only (WH only), included with housing
56406	Lathing Tab (WH only), included with recessed 4" & 8" housing
56407	Connecting Spline with screws (WH only), included with recessed 4" & 8" housing
56409	Recessed Spline Box End (flange type), included with 7517, 7690, 7691, 7692 housings

Recessed Track "L" Splice Box
 7690 Matte White only

Recessed Track "T" Splice Box
 7691 Matte White only

Recessed Track "X" Splice Box
 7692 Matte White only

Electrical Connector Kits for use with "L" Splice Box (set of 2)
 6464WH For Basic only
 6467WH For Advent only

Electrical Connector Kits for use with "T" Splice Box (set of 4)
 6462WH For Basic only
 6465WH For Advent only

Electrical Connector Kits for use with "X" Splice Box (set of 4)
 6462WH For Basic only
 6465WH For Advent only

PowerTrip

Comprehensive

 Track luminaires

 Suspension beam,
 Recessed housing
 and PowerTrip

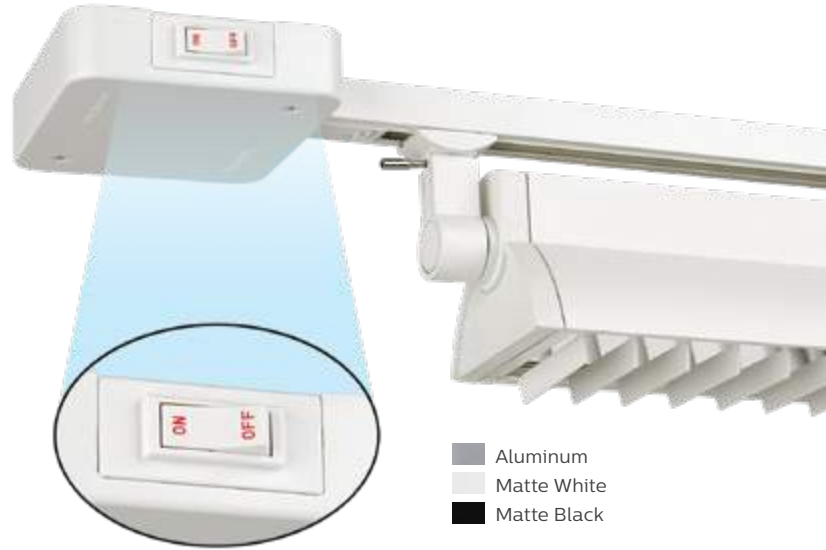
Current limiting device

The first integral current limiting device for line voltage track lighting.



Height: 1 3/16"

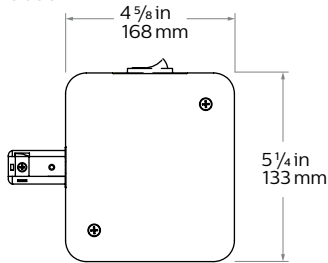
Lightolier PowerTrip is a current limiting device designed for use with Radius, Basic and Advent tracks systems. It works by minimizing the impact of current and pending state and federal energy legislation that penalizes the use of track lighting; particularly with fluorescent or metal halide light sources in retail applications. Under Title 24 of the CA Energy Code, or ASHRAE 90.1, the actual wattage of fixtures on a given circuit of track is typically exceeded by the higher value of the "default" load as defined in the code. These codes force the use of the default load for power consumption calculations unless an integral current limiting device is installed on the track.



- Aluminum
- Matte White
- Matte Black

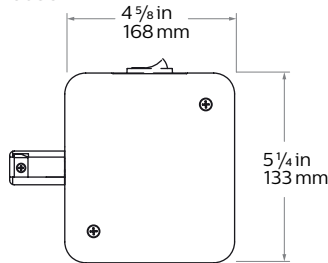
Radius

Live End Kit
9099



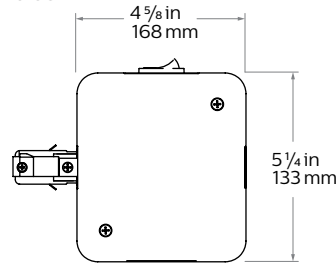
Basic

Live End Kit
6099



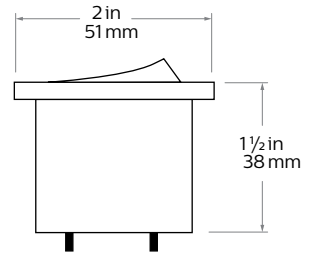
Advent

Live End Kit
6199

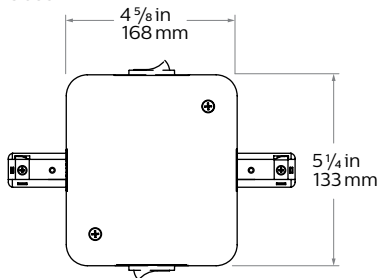


Breaker modules

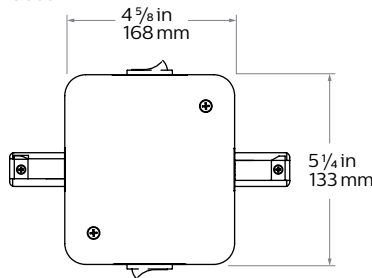
Short circuit rating (AIC): 1kA



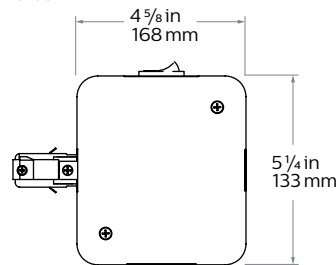
In-Line Kit
9033



In-Line Kit
6033

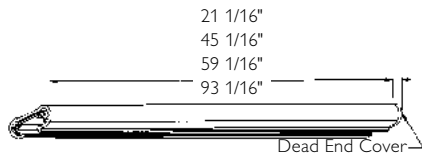


In-Line Kit
6133



PowerTrip for Advent & Basic are available in AL (aluminum), WH (matte white), or BK (matte black). PowerTrip for Radius and Breaker modules are available in WH (matte white), or BK (matte black) only.

Radius application guide

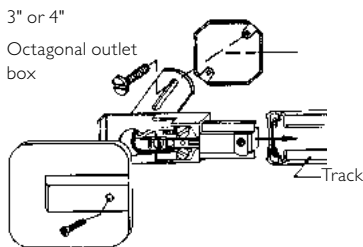


Lytespan - track application guide

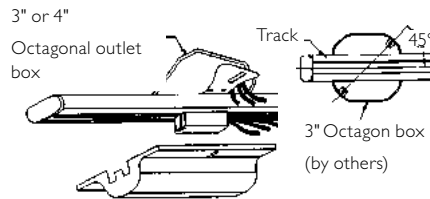
Radius Track is available in 2', 4', 6' and 8' lengths. It may be cut in the field. Toggle bolts and nylon insulators, supplied, mount the track to a ceiling or wall through existing holes in the track. Do not exceed 4' spacing of track supports.

Concealed mini-coupler (order separately) connects tracks mechanically and electrically in a straight run

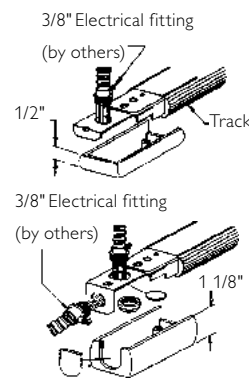
Power feeds



Use live end canopy kit for power feed from an outlet box mounted over the end of the track.



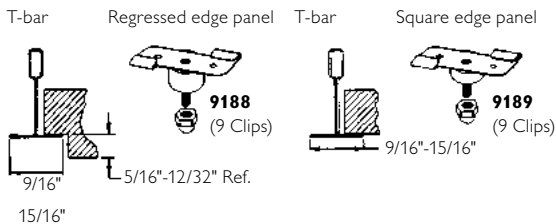
Use Saddle canopy for power feed from an outlet box mounted anywhere along the track. When mounting to a 3" octagon box the track must be oriented at 45 degrees to the mounting holes. Includes extra dead end cover.



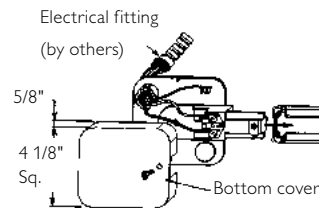
Use live end power feed for direct power feed from overhead conduit or cable terminating in a 3/8" electrical fitting.

Use surface feed connector for power feed from surface conduit terminating in a 3/8" electrical fitting. It may also be used for direct power feed from overhead conduit or cable.

Mounting track to T-bar ceilings

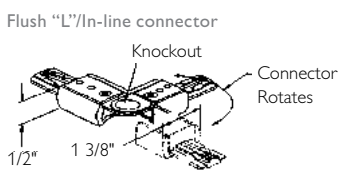


Use T-bar mounting clips to mount the track to "T" bar ceiling runners. The clips attach through existing holes in the track. Do not exceed 4' spacing of clips.

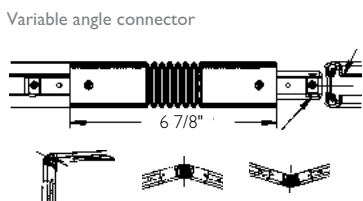
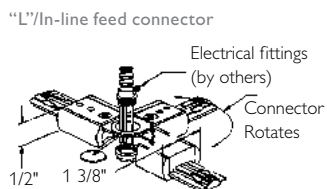


Use T-bar canopy to feed power from conduit or cable to track mounted to a "t" bar ceiling.

Track patterns

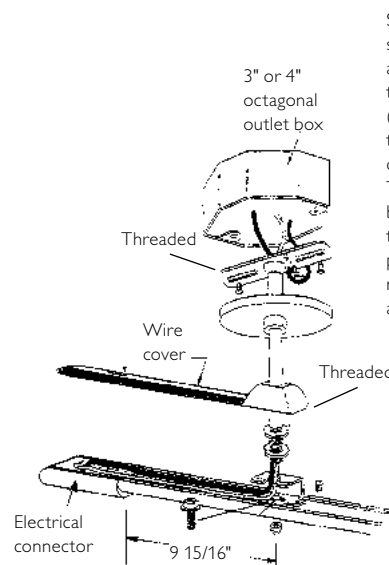


The "L"/In-line connector, both feed and non-feed, may be installed straight or may be rotated to form a right angle. They are polarized and are prewired for power continuity and will accept power feed wires from an adjoining stem. The deeper Feed "L"/In-line connector accepts a 3/8" electrical fitting for direct power feed from conduit or cable or with an optional Radius outlet box cover 9060WH, BK it may be used for power feed from a 3" or 4" octagon outlet box.



The variable angle connector is polarized and prewired for power continuity. It can flex up to 90 degrees in all directions. Power cannot be fed into this connector.

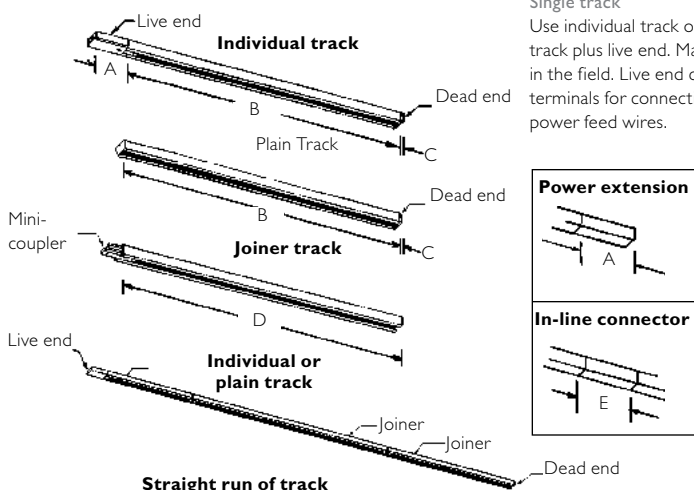
Stem mounting



Stem kits (18" or 48") are used to suspend track from a ceiling. They attach through existing holes in the track. With the stem wire cover (order separately) they may be used to feed power to a live end, "L"/In-line connector or surface feed connector. The stem used for power feed must be located 9 5/16" from the end of the track for the wireway cover to fit properly. Stems for Radius track may not be cut in the field because they are threaded at both ends.

Basic & Advent application guide

Surface or stem mounted



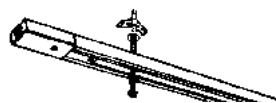
Single track
 Use individual track or plain track plus live end. May be cut in the field. Live end contains terminals for connection to power feed wires.

Straight run of track

Start with individual track (or plain track plus live end) of length desired and add as many 8' joiner tracks as required. May be cut in the field. Concealed mini-coupler connects track sections mechanically and electrically. Replace mini-coupler with in-line connector for power feed-in between track units. Power extension replaces dead end to permit power take-off from or power feed into end of track opposite live end. Power extension accepts same power feed kits as live end.

	A	B	C	D	E
Basic	2 23/32"	21 1/16"	3/32"	95 29/32"	4 1/8"
		45 1/16"			
		93 1/16"			
		141 1/16"			
Advent	4 1/2"	43 9/32"	3/32"	95 29/32"	4 1/2"
		91 9/32"			
		139 9/32"			

Surface mounting track



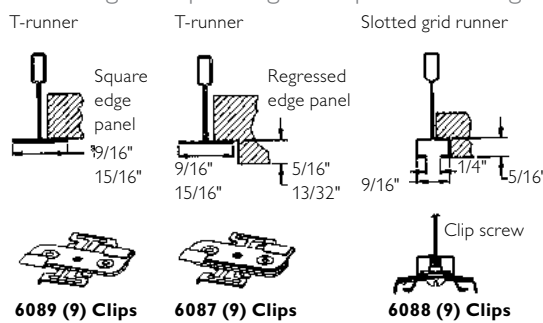
Direct mounting

Toggle bolts with nylon insulators, supplied with track, can be used to mount track to a wall or ceiling through existing holes in the track.

With track mounting clips

Mounting clips, provided with track, attach to track at any point. Use only for ceiling mounting.

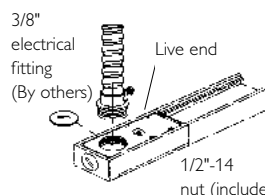
Mounting to exposed grid suspended ceilings



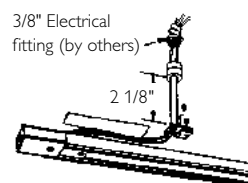
Use grid ceiling mounting clips above for ceilings shown. Use grid ceiling canopy kit for power feed.

Do not exceed 4' spacing of track supports.

Power feed to surface mounted track from conduit or cable



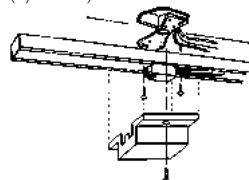
Conduit or cable mounts directly to a Live End, "L", "T", "X", In-line or variable angle connector. Does not require separate power feed kit.



Floating invisible feed mounts anywhere along track installed with mounting clips for power feed to live end, "L", "T", "X", in-line or variable angle connector. May be located up to 4' from power feed-in point.

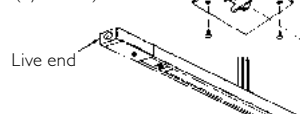
Power feed to surface mounted track from outlet box

3" or 4" octagon outlet box (by others)



Saddle canopy kit mounts at any point along basic track for power feed directly to track conductors. Includes extra dead end cover to replace live end.

3" or 4" Octagon outlet box (by others)

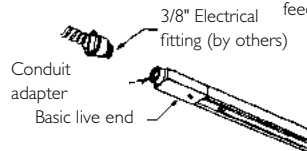
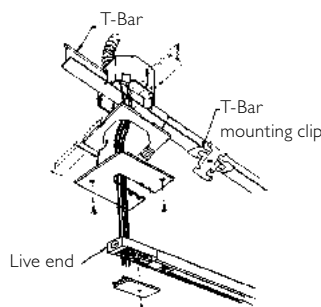


Floating canopy kit mounts anywhere along track installed with mounting clips for power feed to live end, "L", "T", "X", in-line or variable angle connector. May be located up to 4' from power feed-in point.

3" or 4" octagon outlet box (By others)



End feed canopy kit mounts directly to live end, "L", "T", "X", In-Line or variable angle connector.

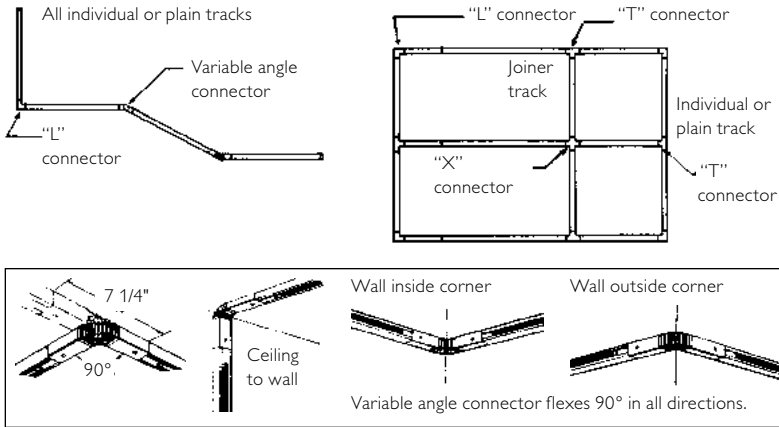


Conduit adapter attaches to Live End of Basic Track for power feed from surface conduit terminating in 1/2-14 threaded electrical fitting. Not required for Advent Track.

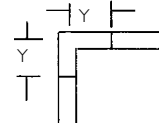
Use grid ceiling canopy kit to feed power to the live end, "L", "T", "X", In-line or variable angle connector of track mounted to a grid ceiling. Its special outlet box mounts along a t-bar runner or at the intersection of t-bar runners.

Basic & Advent application guide

Track patterns



Use "L," "T," "X," In-line, and variable angle connectors to turn corners or form "T" or "X" intersections. Power may be fed into the connectors. "L," In-Line, and variable angle connectors are polarized, "T" and "X" connectors are not. The "L" connector may be rotated for left or right angle turns. Jumper wires are provided for power continuity. Use plain track (or individual track with live end removed) and as many joiner tracks as required for each straight run of track between connectors. Connectors may be attached to cut track.

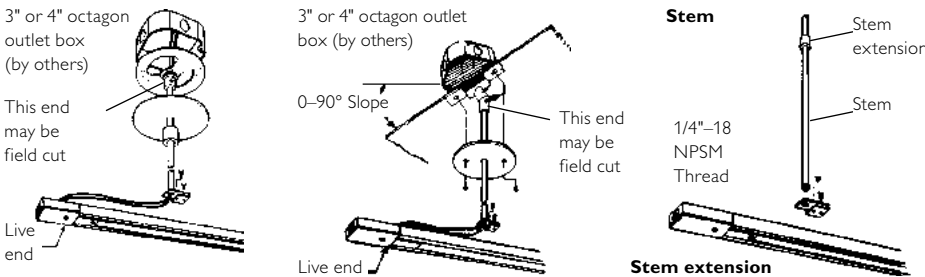


Add length (Y) to each track length to determine total length in patterns.

"L," "T," or "X" Connectors

(Y) Basic	(Y) Advent
2 1/16"	2 3/4"

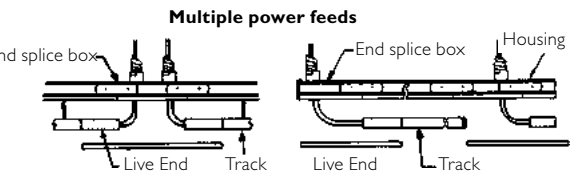
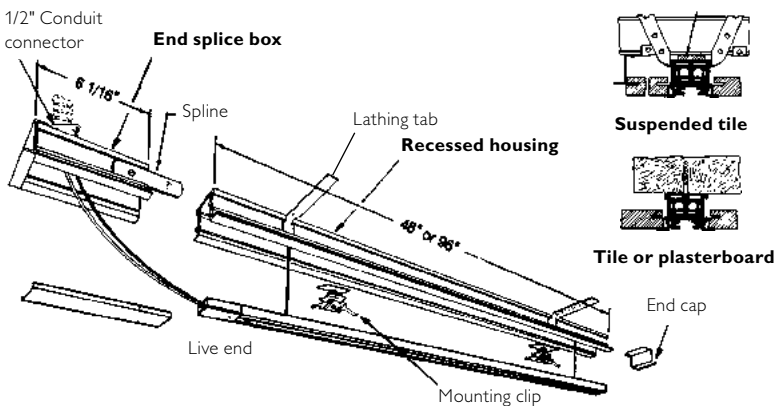
Stem mounting track



Swivel stem

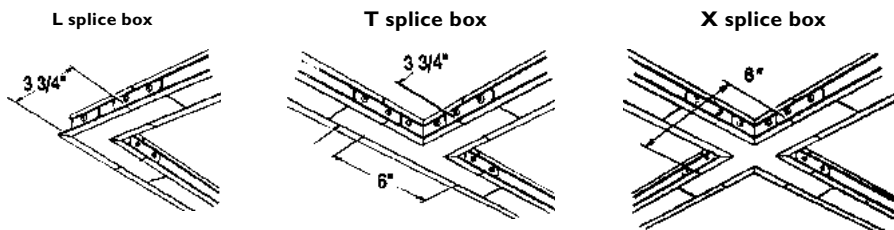
Stems (18" or 48") and swivel stems (48") attach to the track at any point, may be spaced up to 4' apart and may be cut in the field. 4' wire way cover provided with stems. **The stem extension kit** extends stem length 48" but may not be cut in the field because it is threaded at both ends. Stems can be used to feed power to a live end, "L," "T," "X," In-Line, or Variable Angle Connector; use stem closest to feed-in point. Not recommended for wall mounting.

Recessing track



Basic and Advent track can be recessed in **4' or 8' recessed housings**. The housings may be installed individually or in straight runs and may be cut in the field. Use an individual track with a single housing. Use an individual track and as many joiner tracks as required for a run of housings. Lathing tabs, splines, and mounting clips are supplied with housings. Splines secure housings together. The **end splice box** is used for power feed and may be installed at the end of or between housings. End caps are provided with splice boxes.

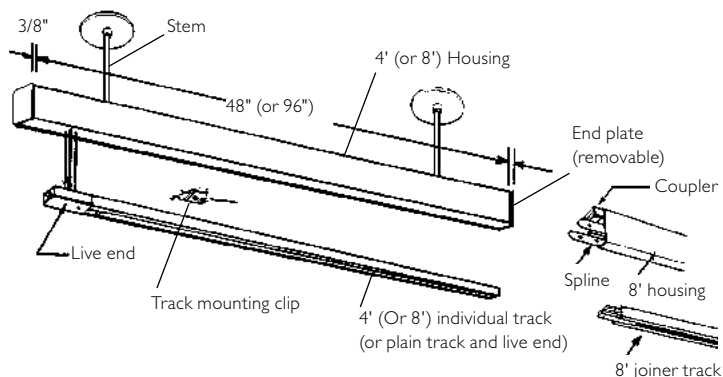
"L," "T," and "X" Splice boxes permit recessed track to be installed in patterns. Each straight run of track between splice boxes is started with a plain track or individual track with live end removed and as many joiner tracks as required. 7/8" K.O.'S are provided for power feed. **Electrical connector kits** (order separately) are used for power feed or power continuity at corners and intersections. "L," "T," or "X" track connectors used for surface or stem mounted track cannot be used with recessed track.



Suspension beam application guide

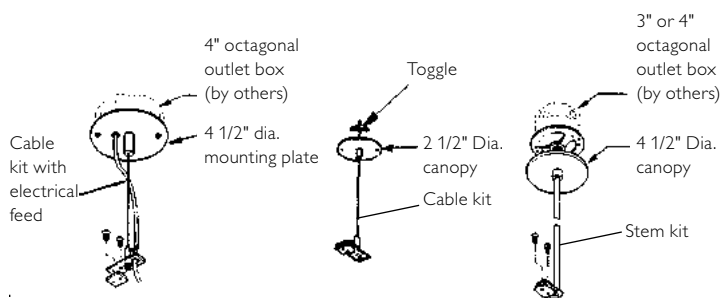
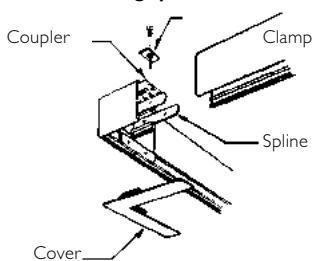
Suspension beam

4' and 8' Suspension beam housings are designed to enclose **Basic** or **Advent** track. They may be installed individually or in straight runs and may be cut in the field. **End plates** and **track mounting clips** are furnished with 4' and 8' housings; couplers and splines are only provided with 8' housings.

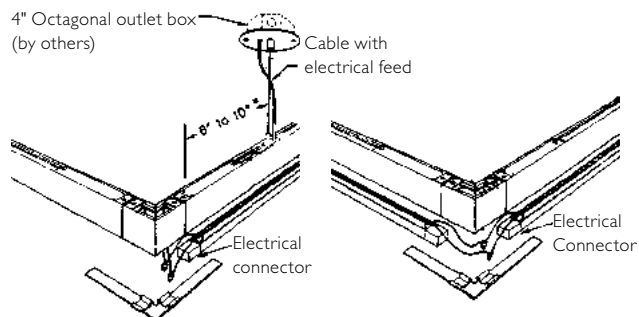


Electrical connector kit
The I housing/splice box is used to form a right angle corner with suspension beam housing. **Electrical connector kits** (order separately) are required for power feed or power continuity at corners.

"L" Housing/splice box



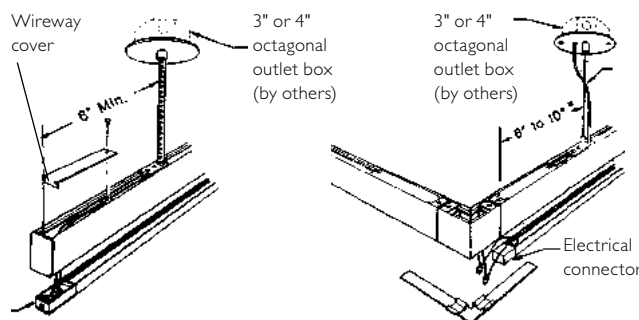
Housings are suspended by **stems** or **cables**. Both attach to the housings at any point (except at wireway cover), may be spaced up to 8' apart, and may be shortened in the field. Stems may be lengthened with a **stem extension**. Stems can be used for housings in straight runs or patterns. Cables are only recommended for patterns.



Feed-in to corner with cable

Power continuity at corner

Stems or cables with electrical feed are used to feed power to a live end or an electrical connector at a corner. Electrical connectors at corners are spliced together for power continuity.



Feed-in to straight run with stem

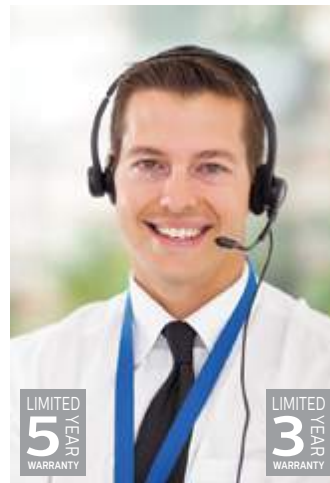
Feed-in to corner with stem

Recessed housings and splice boxes must be installed before the ceiling is completed.

Resources

A responsibility to excel

Lightolier has an unmatched commitment to the downlighting industry with 65 years of continuous innovations and market leadership. It remains the trusted leader in LED downlighting with a reputation of technology leadership, reliability, and practical lighting solutions that beautifully illuminate your most important projects.



ENERGY STAR®

In 2006, Lightolier introduced a full line of ENERGY STAR® certified CFL downlights. These products met the strict requirements of both ENERGY STAR® and California's Title 24 legislation. Available in both residential and commercial versions with over 40 trim options. Products continue to be designed to provide the best possible energy efficiency for every application. Since then we have expanded our ENERGY STAR® certified portfolio to include nearly all CFL and LED luminaires.

Title24

The California Energy Code, part 6 of the California Building Standards Code which is Title24 of the California Code of Regulations, was created by the California Building Standards Commission in 1978 in response to a legislative mandate to reduce energy consumption in the state. The standards are updated periodically by the California Energy Commission to allow consideration and possible incorporation of new energy efficiency technologies and methods.

Warranties

A standard 5-year limited warranty is included on all LED products and a standard 3-year limited warranty is included on all CFL & INC products. Lightolier offers a wide range of high performance downlights with thousands of configurable solutions for use in multiple applications. All products are designed to be easily installed with a host of features that allow for fast and consistent installations and servicing. Visit www.philips.com/warranties for details and restrictions.

Underwriters Laboratories

The UL (Underwriters Laboratories) and CSA (Canadian Standards Association) are two separate independent safety science testing and certification agencies. If a product is cULus Listed, UL tested the product to meet all the requirements under the Canadian and US standards. Anything that has cULus mark is listed for use in both the United States and Canada. Visit www.ul.com for more information.



Nearly entire LED and CFL portfolio contains ENERGY STAR® certified luminaires.



Multiple LED and CFL products within portfolio offer California Title24 compliant options.



A standard 5-year limited warranty is provided for all Lightolier LED luminaires.



All LED, CFL and INC luminaires are cULus listed (many approved in damp or wet locations).



Dimming Compatibility

Please refer to Downlighting LED dimming specification sheet at bit.ly/LED-DIM-DL
Please refer to Track Lighting LED dimming specification sheet at bit.ly/LED-DIM-TL

Energy efficiency

Lightolier is committed to developing products that help meet the evolving energy conservation concerns by providing unsurpassed quality, exceptional performance and the latest technology in energy efficiency.



Distributor focus

With over 100 years of experience you can rest assured when trusting Lightolier with all your lighting needs. The choice of off-the-shelf solutions or configure-to-order options allow for the flexibility to conform to any project's requirements – no matter the scale.

Contractor focus

With a wide range of product families, lighting source types and installation options seamlessly blending Lightolier downlights into any commercial or residential area is a breeze. Mounting frames and reflector trims work seamlessly together for efficient and reliable results, while common aperture sizes provide the freedom of choice when unexpected project changes occur.



Supporting shelf-stocking needs

The goal of our service program is to ensure that we fully support your shelf stocking requirements and provide you with reliable lead times to address the demanding time-lines of construction and retrofit lighting projects. This program allows you to select the product and corresponding lead time to meet the needs of your customer's specific project. Stocked products will be shipped within 48hrs from our warehouses.*

For the most up-to-date guide with stock and quick ship products please contact your local Philips Sales Manager. Distributor Stock products are a subset of the Service Smart items that should be maintained on distributor shelves at all times to manage everyday contractor demand.



Digital tools at your fingertips

The Philips Luminaire eCatalog is available at philips.com/luminares and provides you and your customers with fast ways to identify the right product for their specific project.

1. Search: product family, product code, or product type.
2. Find: Up-to-date product information so you can always find current specs and product specific literature.
3. Use: Drop down menus to help you further refine your search to find the exact product to fit your needs.



ProLuminaire Mobile App

An inspiring, convenient and efficient way to view our entire luminaire and controls catalog of products. The ProLuminaire Mobile App provides instant access to professional lighting solutions via iOS or Android featuring:

- Mobile access to the entire professional lighting solutions for iOS and Android (phones/tablets).
- A variety of fast ways to search for your product by product type, brand, product name, product family code, and more.
- Media resources center to view product videos, brochures or presentations along with product and application images.
- Downloads and information sharing, including product literature such as spec sheets and install documents.



Support is always available

For technical support

1 (800) 573-1659
 LOL.webmaster@philips.com
www.philips.com/luminares

For customer support

1 (800) 555-0050
www.usa.lighting.philips.com/support/connect/contact-us

* Quick Ship products: will be assembled to order and ship within 2 weeks from our factories.

Visit philips.com/ProLuminaireApp for more information about The ProLuminaire Mobile App.

