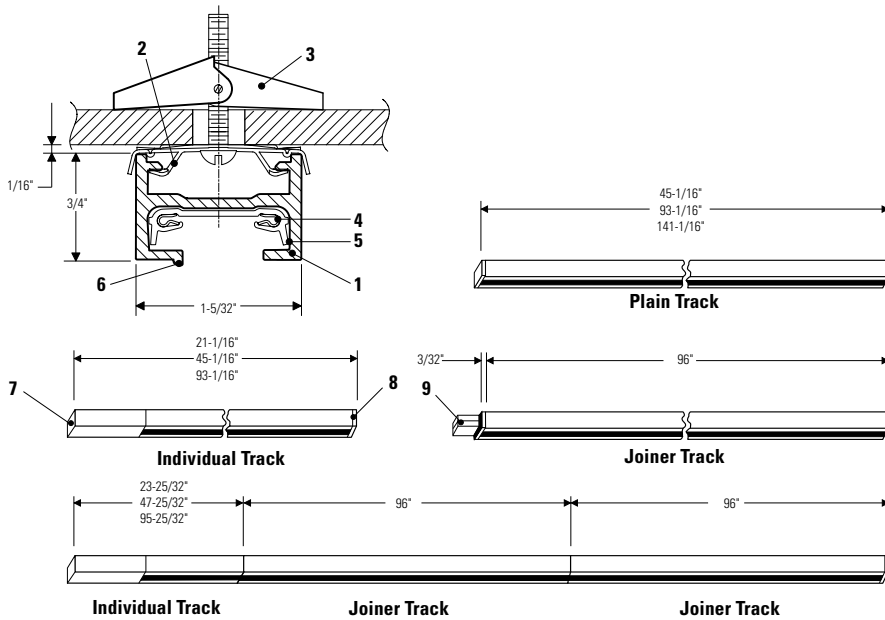


Project: _____
 Location: _____
 Cat.No: _____
 Type: _____
 Lamps: _____ Qty: _____
 Notes: _____



6000NWH	6003NAL	6049NWH	6054NBK	26082
6000NBK	6004NWH	6049NBK	6060NWH	6087
6000NAL	6004NBK	6050NWH	6060NBK	6088
6001NWH	6004NAL	6050NBK	6061NWH	6089
6001NBK	6008NWH	6051NWH	6061NBK	7480
6001NAL	6008NBK	6051NBK	6062WH	7480AL
6002NWH	6008NAL	6052NWH	6062BK	7481
6002NBK	6046NWH	6052NBK	6062NAL	7582
6002NAL	6046NBK	6053NWH	6063WH	7582AL
6003NWH	6048NWH	6053NBK	6063BK	7584
6003NBK	6048NBK	6054NWH	6063NAL	7586

Finishes	Individual Track			Joiner Track	Plain Track		
	Includes Live End Feed Connector			Includes Mini Coupler	Includes Dead End		
	2' Catalog No.	4' Catalog No.	8' Catalog No.	8' Catalog No.	4' Catalog No.	8' Catalog No.	12' Catalog No.
Matte White	6000NWH	6001NWH	6002NWH	6003NWH	6004NWH	6008NWH	6012NWH
Matte Black	6000NBK	6001NBK	6002NBK	6003NBK	6004NBK	6008NBK	6012NBK
Met Aluminum	6000NAL	6001NAL	6002NAL	6003NAL	6004NAL	6008NAL	6012NAL

Features

Basic Lytespan is a one circuit electrical distribution system designed to support and supply all Lytespan lighting units in a flexible manner. The track can be installed individually in straight runs or in a variety of patterns.

- Basic Lytespan Track:** 6063-T5 structural aluminum extrusion.
- Track Mounting Clips:** 0.024 Spring steel, in black or white; order separately.
- Toggle Bolt & Screws:** furnished with track units.
- Conductor (2):** copper 12 ga. equivalent. "U" shape provides reliable contact with connectors.
- Insulating Liner:** 0.032" wall, high temperature thermoplastic.
- Polarity Bead:** identifies the neutral conductor.
- Live End:** molded thermoplastic. Contains contacts for power supply leads.
- Dead End Cover:** molded thermoplastic.
- Mini Coupler:** connects track units mechanically and electrically.

Mounting

The track may be surface or stem mounted (see pages 2, 3, and 4) or installed in a recessed housing (see Specification sheet 7515). The track is not intended to be cable mounted. All lengths can be field cut.

Finish

All painted finishes are baked enamel.

Electrical

Capacity is 20 amps. at 120 volts per branch circuit (2400 watts incandescent load). The track units are polarized and continuously grounded throughout. Electrical conductors are concealed in an insulating liner. Intended for wiring to branch circuit building wire with ground. All wiring must be in accordance with National and Local Codes.

Mechanical

Track units plug together and lock securely to prevent accidental separation. Lytespan lighting units can be attached at any point along the track.

Labels

cUL; I.B.E.W

6000 Surface Mounting kit

Basic 1 Circuit Track

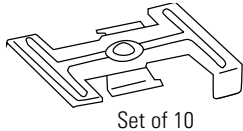
Track Mounting and Power Feed Systems

Track Mounting Clips

Recommended: 2 clips per 2' & 4' track, 3 clips per 8' and 12' track units, order separately. Attaches to track at any point. Clip is nylon coated. Spaces track 1/16" from ceiling.

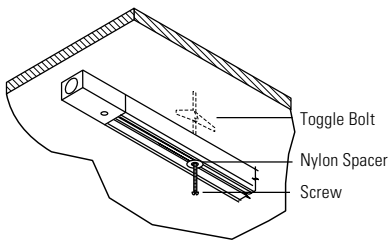
Not recommended for wall mounting.

- 56451WH** Matte White
- 56451BK** Matte Black



Direct Mounting

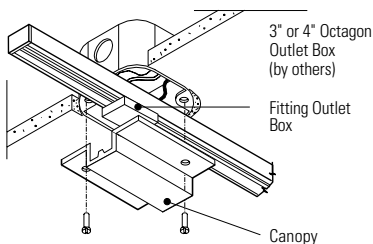
Toggle bolts and nylon insulators are furnished with Track, two per 2' and 4' track, three per 8' and 12' track. Mount through existing holes in track. Top of track sits flush to mounting surface. *Recommended for wall and ceiling mounting.*



Saddle Canopy Kit

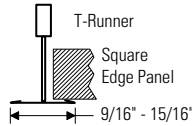
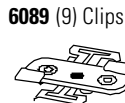
Mounts anywhere along track for power feed from a 4" or 3" octagon outlet box. Use Track Mounting Clips or direct mount track. Especially useful with Plain Track. Max load 20 amps @ 120V, 60Hz.

- 6063WH** Matte White

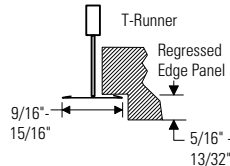
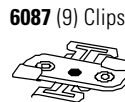


Grid Ceiling Mounting Clips

Square Edge Panels and 9/16"-15/16" T-Bars Clip is supplied assembled. Mounts onto T-Bars by rotating clips. Use two per 2' and 4' track, three per 8', and four per 12' track.

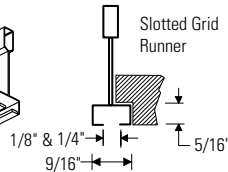
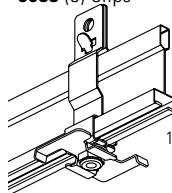


Regressed Edge Panels and 9/16"- 15/16" T-Bar Clip is supplied assembled. Mounts easily onto T-Bars by rotating clips. Use two per 2' and 4' track, three per 8', and four per 12' track.



Slotted Grid Ceilings such as Donn Fineline and Chicago Metallic Ultraline 3500 and 3600. Use two per 2' and 4' track, three per 8', and four per 12' track.

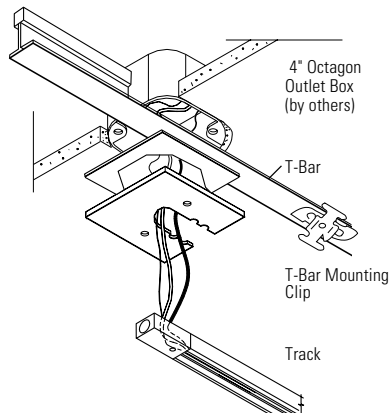
- 6088** (9) Clips



Grid Ceiling Canopy Kit

Mounts to a 4" or 3" octagonal outlet box. Use two per 2' or 4' track, three per 8' and 12' track. When making a run of track do not exceed 4' between stems. Includes a special outlet box to fit onto runners. Power can be fed to Feed Track, Live End, "L", "T", "X", and In-Line connectors. Mounts along runner or at the intersection of runners.

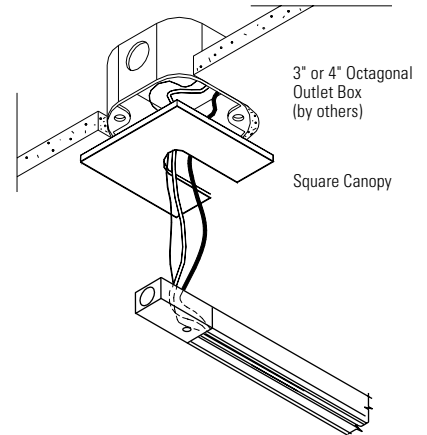
- 6096WH** Matte White
- 6096BK** Matte Black



End Feed Canopy Kit

Mounts directly to Live End, 'L', 'T', 'X', In-Line and Variable Angle Connectors. Mounts to a 4" or 3" octagonal outlet box. For track installed with mounting clips or direct mounted. Canopy is 3/32" thick and 4-1/2" square.

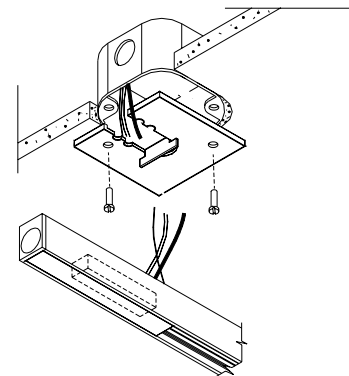
- 6060WH** Matte White
- 6060BK** Matte Black
- 6060NAL** Aluminum



Floating Canopy Kit

Mounts to a 4" or 3" octagonal outlet box. Canopy is positioned anywhere along track, up to 4' from edge of track extrusion. Power can be fed to Live End, 'L', 'T', 'X', In-Line and Variable Angle Connectors. Mount track using track mounting clips. Canopy is 3/32" thick and 4-1/2" square.

- 6061WH** Matte White
- 6061BK** Matte Black
- 6061NAL** Aluminum



6000 Surface Mounting kit

Basic 1 Circuit Track

Track Mounting and Power Feed Systems

Stem Mounting Kits

Mounts to a 4" or 3" octagon outlet box. Use two per 2' and 4' track, three per 8' and 12' track. When making a run of track do not exceed 4' between stems. Use additional stems for additional support. Power is fed to the track with the stem closest to the track feed-in point. For power feed to Feed Track and Live End, "L", "T", "X", In-line, and Variable Angle Connectors. Stem can be field cut.

Not recommended for wall mounting.

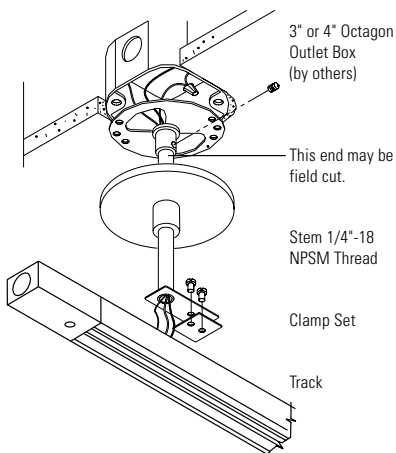
Stem mounts to track

not feed connector. 18" Stem 48" Stem

Actual length from ceiling to top of track: 17 3/8" 47 3/8"

Matte White **7584** **7586**

Matte Black **7683** **7681**



Swivel Stem Mounting Kits

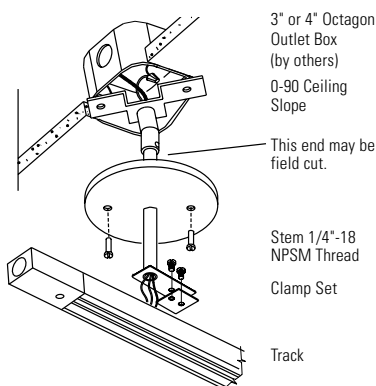
Adjusts from 0 to 90. Mounts to a 4" or 3" octagon outlet box. Use two per 2' and 4' track, three per 8' and 12' track. When making a run of track do not exceed 4' between stems. Use additional stems for additional support. Power is fed to the track with the stem closest to the track feed-in point. For power feed to Feed Track and Live End, "L", "T", "X", In-line, and Variable Angle Connectors. Can be field cut. 48" stem.

Not recommended for wall mounting.

Stem mounts to track not feed connector.

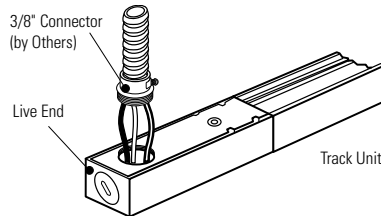
7480 Matte White

7481 Matte Black



Direct Feed into Connectors

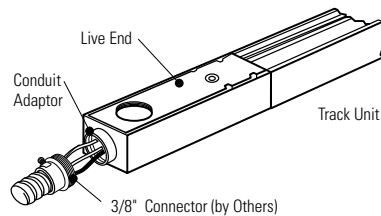
The Live End, "L", "T", "X", In-line, and Variable Angle Connectors contain a nut with a 1/2-14 thread to accept a 3/8" or 1/2" (trade size) electrical connector, 3/8" connector recommended. Does not require a separate power feed kit.



Conduit Adaptor

For feeding power to Live End from secure cable terminating in a 3/8" (trade size) electrical connector. Conduit must be self supporting. For use with 6048 and 6046.

7596 Zinc Plate

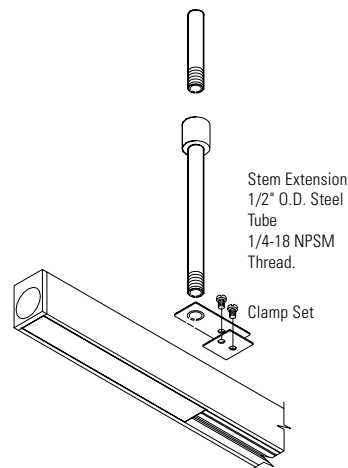


Stem Extension Kit

Mounts to any stem kit to extend its length by 48". Cannot be field cut.

7582 Matte White

7680 Matte Black



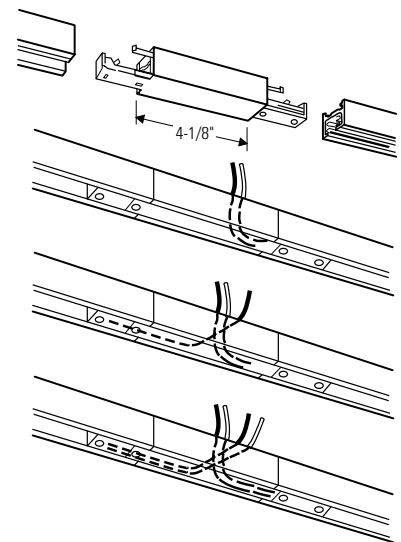
In-Line Connector

Permits power feed between track units in a straight run of track. The In-Line Connector is polarized and pre-wired. KO permits direct feed with electrical connector.

6054NWH Matte White

6054NBK Matte Black

6054NAL Aluminum



Power Extension Connector

Replaces Dead End Cover at end of track to permit power continuity around structural obstacles to another track section.

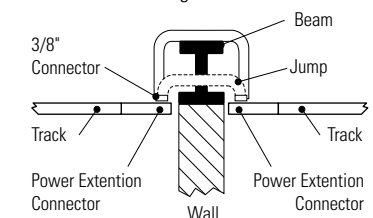
Accepts same power feed-in kits as Live End.

6046NWH Matte White

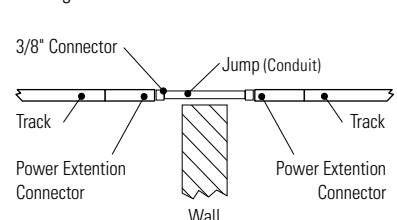
6046NBK Matte Black

6046NAL Aluminum

Over Beam or Through Beam



Through Wall or Column



6000 Surface Mounting kit

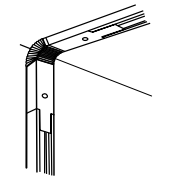
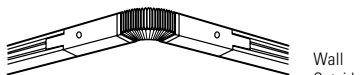
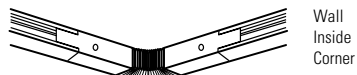
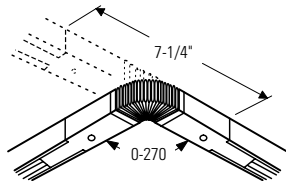
Basic 1 Circuit Track

Track Mounting, Power Feed Systems and Mounting Patterns

Variable Angle Connector

The Variable Angle Connector is pre-wired and polarized. It contains a die-cast zinc nut which accepts a standard 3/8" threaded conduit fitting. Flexes to any angle between 0-90.

- 6053WH Matte White
- 6053BK Matte Black
- 6053NAL Aluminum

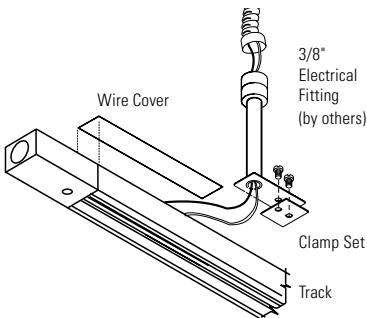


Ceiling to Wall

Floating Invisible Feed

Can be mounted anywhere along the track at a maximum distance of 4' from edge of track extrusion. Accepts conduit or cable with 3/8" or 1/2" electrical connector (by others). Can be used with Live End, "L", "T", "X", and In-Line and Variable Angle connectors. Use Track Mounting Clips to mount the track.

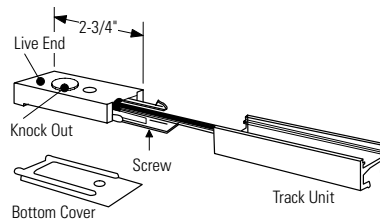
- 26082 Zinc Plated



Live End

Energizes Track from the beginning of a run. KO permits direct feed with electrical connector. It is included with Individual Track Units. Use with plain track units.

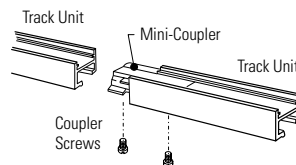
- 6048NWH Matte White
- 6048NBK Matte Black
- 6048NAL Aluminum



Mini-Coupler

Used to connect two pieces of track together mechanically and electrically. Power cannot be fed to the Mini-Coupler. It is included with Joiner Track Units.

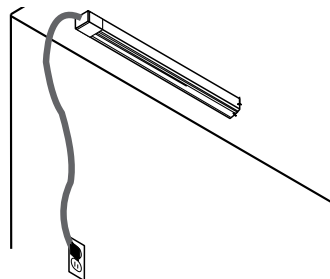
- 6049NWH Matte White
- 6049NBK Matte Black
- 6049NAL Aluminum



Cord and Plug

Energizes track from a polarized 120V receptacle. Especially useful with plain track. Supplied with a 15' two conductor 18 ga. cord and In-Line switch. The switch is supplied unattached. The track is not to exceed 1200 watts. The switch is rated for 6 amps, 720 watt with cord and plug attached.

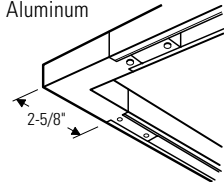
- 6062WH Matte White
- 6062BK Matte Black



"L" Connector

The "L" connector is polarized and pre-wired. It may be rotated for right angle or left angle turn. KO permits direct feed with electrical connector.

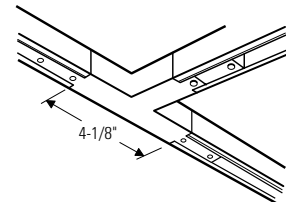
- 6050NWH Matte White
- 6050NBK Matte Black
- 6050NAL Aluminum



"T" Connector

The "T" connector is not pre-wired or polarized. Used to make "T" pattern with track. 12 ga. copper jumper wires supplied to make all necessary connections. KO permits direct feed with electrical connector.

- 6051NWH Matte White
- 6051NBK Matte Black
- 6051NAL Aluminum



"X" Connector

The "X" connector is not pre-wired or polarized. Used to make "X" pattern with track. 12 ga. copper jumper wires supplied to make all necessary connections. KO permits direct feed with electrical connector.

- 6052NWH Matte White
- 6052NBK Matte Black
- 6052NAL Aluminum

