

LIGHTOLIER

by @signify

Downlighting

Calculite LED 4" gen 3

C4RDL Round Downlight



Calculite LED 4" generation 3 provides excellent performance coupled with optimized installation flexibility via UniFrame. Industry leading visual comfort and uniform illumination make it an ideal choice for open office, institution, healthcare, and retail applications.

Standard luminaire: Complete luminaire = Frame + Engine + Trim + Accessories (optional)

Buy American Act of 1933 (BAA) Compliant luminaire*:** Complete luminaire = Frame-BAC + Engine-BAC + Trim-BAC

* BAA compliance requires that BAC option be selected for each of frame, engine, and trim. Frame and engine will be ordered/shipped together; trim will be ordered/shipped separately. Accessories (optional) are not currently BAA-compliant.

Project: _____
 Location: _____
 Cat.No: _____
 Type: _____
 Qty: _____
 Notes: _____

Frame

standard example: 4RN | BAC example: 4RN-BAC

Series	Installation	Voltage/Options	
4R			
4R 4" Non-IC Round	N New construction	— Universal 120/277/347V EM6 Emergency, 6W Self-Test/Self-Diagnostic ¹	LC Chicago Plenum ² BAC Meets the requirements of the Buy American Act of 1933 (BAA)**
	R Remodeler	— Universal 120/277/347V	BAC Meets the requirements of the Buy American Act of 1933 (BAA)**

Engine

standard example: C4L15835NZ10U | BAC example: C4L15835NZ10U-BAC

Series	Lumens	CRI	CCT	Beam	Dimming	Options	Voltage	Options
C4L								
C4L Calculite LED 4" gen 3	05 500lm	8 80CRI	27 2700K	N Narrow (43°)	Z10 0-10V 1%	— None D20 Dim to Off	U 120/277V 3 347V (Z10 only)	R Retrofit ⁵ RH Retrofit for tall collar frame ⁵ BAC Meets the requirements of the Buy American Act of 1933 (BAA)**
	10 1000lm	9 90CRI	30 3000K	M Medium (56°)	L01 Lutron PEQ0 EcoSystem 0.1% (up to 2000lm) LI Lutron LDE1 EcoSystem (500lm not available) RA Integral Interact Pro RF sensor ⁴ (enables wireless connected lighting control)	U 120/277V		
	15 1500lm		35 3500K	W Wide (76°)	D DALI 0.1%	— None LIN Linear	U 120/277V	
	20 2000lm ³		40 4000K		SOL EldoLED Solo 0-10V 0.1% DMX Digital Multiplexing w/RDM 0.1%	— None LIN Linear SQR Square	U 120/277V	
	25 2500lm ³				E Forward & Reverse Phase LTE Lutron LTE Hi-Lume Phase Cut 1% (500lm not available)		1 120V	
	30 3000lm ³				P Power over Ethernet (PoE) only compatible with 1000 (10) to 2500 (25) lumen configurations		E Ethernet 48V DC	

Trim

standard example: C4RDLCCP | BAC example: C4RDLCCP-BAC

Series	Aperture	Style	Finish	Flange	Options
C4	R				
C4 Calculite LED 4" gen 3	R Round	DL Downlight	BK Black (anodized)	CC Comfort clear CD Comfort clear diffuse CF Champagne bronze	— White (matte) P Polished (matches aperture) F Flangeless (requires CA4RFT)
			CL Specular clear	CZ Champagne bronze	— White (matches finish) F Flangeless (requires CA4RFT)
			WH White (matte)		— White (matches finish)
		SL Shower light	WH White (matte) WHAMF White (gloss antimicrobial)	— White (matches finish)	

** Failure to properly select the "BAC" suffix could result in you receiving product that is not BAA compliant product with no recourse for an RMA or refund. This BAC designation hereunder does not address (i) the applicability of, or availability of a waiver under, the Trade Agreements Act, or (ii) the "Buy America" domestic content requirements imposed on states, localities, and other non-federal entities as a condition of receiving funds administered by the Department of Transportation or other federal agencies.

Accessories (Not currently BAA-compliant) learn more on page 2

SBA	Interact Ready System Bridge Accessory (refer to Philips System Bridge Accessory spec sheet for options and details)
AMS	ActiLume multi-sensor (optional accessory for PoE configurations)
7920	Sloped ceiling 4" adapter for 4RN and 4RA frames
CA4RFT	Mud-in ring for use in 4" round flangeless trim installations (ordered with a flangeless trim)
CAEM6	Field-installable Bodine BSL6 6W battery pack with self-test/self-diagnostic (for new construction frames, 120-277V)
C4RVPWH	IP65 Rated vandal proof matte white accessory mounts onto flangeless trims (C4RDL*F) and new construction frame only
CAEM6TSCP	Must be ordered with EM6 frame for remote test switch, see page 2 for details
T347-75VA	347:120V step-down transformer for non-IC (N) frame only (see page 2 for details)

- Emergency (EM6) frame is compatible with reflector mounted test switch when trim is ordered with IEM6 option code (not compatible with 347V or Power over Ethernet configurations). For remote mount switch, order standard trim and CAEM6TSCP mounting plate accessory.
- Chicago Plenum (LC) frame is not available for Buy American Compliant (BAC) configurations.
- See marked spacings requirements on page 7.
- Linear driver profile. See page 7 for details.
- Retrofits select legacy Lightolier luminaires. See pages 2 and 6 for details.



C4RDL Calculite LED 4" gen 3

Round Downlight

Frame-in-kits

New Construction:

Galvanized stamped steel for dry or plaster ceilings. Pre-installed telescoping mounting bars from 13" to 24". For 4' distances, use 1/2" EMT, 1-1/2" x 1/2" U or C channel.

Max ceiling thickness is 2" (51 mm) including PoE frame 4.88" (124 mm) plenum depth for installation.

Patented install Mounting frame:

- Pre-installed mounting bars for fast and tool-less installs into T-grid & hat channel ceilings.
- Close-cut aperture design eliminates possibility of gap between ceiling opening and reflector flange.
- Separate wiring compartment for wiring frame to building allows inspection prior to light engine install.
- Simple plug-and-play connection between frame and light engine from below ceiling.

Retrofit

- Easily updates legacy Calculite downlights to the latest LED technology. Includes light engine, trim, and driver mounted on cover plate that mounts to junction box of previous Calculite generations. Order with R or RH option code at end of light engine catalog number (see details on page 6).

Compatibility:

Frames	Engines
With CFL S4118_series	Use Retrofit configuration C4R_ Trim + C4L_ Engine
With INC AS400_series	Use Retrofit configuration C4R_ Trim + C4L_ Engine
With LED C4L_N series C4X4L_N series P4RD_N_series	Use Retrofit configuration C4R_ Trim + C4L_ Engine C4S_ Trim + C4L_ Engine C4R_ Trim + C4L_ Engine

* Not available for retrofitting luminaires with integral emergency battery.

Emergency

Bodine BSL6 6W battery pack with self-test/diagnostic functionality. Factory or field mounted to frame.

- For trim with integral emergency test switch, order trim with IEM6 option (ex: C4RDLCCEM6).
- For remote ceiling mounted test switch, order standard trim (ex: C4RDLC). Optional accessory ceiling mounting plate available (CAEM6TSCP) for remote mounted test switch.
- Refer to Calculite-LyteProfile-EasyLyte Emergency Battery Pack specification sheet for more details.

Dimming

All configurations are FCC Class A unless otherwise specified.

- Advance 0-10V 1% (Z10), logarithmic curve is standard. Specify D20 for factory-set dim-to-off function, consult factory for linear dimming curve.
- EldoLED SOLOdrive (SOL) 0-10v 0.1%
- Lutron PEQ0 (L) Hi-Lume Premier 0.1% EcoSystem
- Lutron LDE1 (L01) EcoSystem 1%
- Lutron LTE (LTE) Hi-Lume 2-wire phase cut 1%
- Electronic low voltage (E) - forward or reverse phase dimming, Remodel and AirSeal IC Shallow are FCC Class B
- DALI (D) - DT6 DALI 0.1%
- DMX (DMX) - Digital Multiplexing with RDM 0.1%

Dimming Options

The following are factory-set options for the SOL, D, and DMX driver options (ex. DMXLIN):

SOL/D/DMX Logarithmic (-) standard

SOL/D/DMX Linear (LIN)

SOL/DMX Square (SQR)

Power over Ethernet

Powered via Lightolier PoE lighting controller:

Complies with FCC rules per Title 47 part 15 (Class A) for EMI / RFI (conducted & radiated). PoE lighting controller accessible from below ceiling.

Optical systems

Comfort throughout the space:

True 50° physical cutoff and 45° reflected cutoff.

Quality of light:

2 SDCM ensures color consistency from fixture to fixture and over the luminaire's long lifetime.

MesoOptics PET optical diffusion film:

Provides a smooth beam shape and mitigates color over angle with optimized luminaire efficiency.

Light engine

Quick connect power pack allow for easy installation and replacement from below ceiling with no need for additional wiring. This allows for:

- Frame and ceiling installation to be performed while still finalizing details such as lumen packages, CCT and control type.
- Easy replacement of electronics at end of life with minimal wasted material and labor required.
- Ease and upgradability of technology.
- 347V light engines are Z10 dimming only and include dedicated 347V driver. For 347V non-Z10 dimming, order T347-75VA field-installed step-down transformer accessory.

Options and Accessories

Flangeless mud-in ring: Use CA4RFT

For use with flangeless plaster installations.

Sloped ceilings: Compatible with sloped ceiling adapters (see SCA spec sheet).

C4RVPWH: includes machined aluminum ring painted white, gasketed for IP65 protection, and impact resistant polycarbonate lens (IK10). Locks in place with discrete setscrew (key included). Available also with antimicrobial finish (C4RVPWHAMF).

CAEM6TSCP: Ceiling cover plate for remote mounted EM6 test switch. 1/2" (25mm) hole, 4 3/8" (109mm) x 2 3/4" (69mm) rectangular. Includes two mounting screws.

CAEM6: Field install EM6 kit with Bodine BSL6 6W battery pack with self-test/self-diagnostic, mounts to new construction frames. Includes remote ceiling plate for test switch. To mount test switch to trim for new construction frame, order trim with IEM6 option code (e.g. C4RDLCCEM6). Refer to Calculite-LyteProfile-EasyLyte Emergency Battery Pack specification sheet for more details.

SBA: Interact Ready System Bridge Accessory Requires IRT9015 IR remote and Interact Pro App for commissioning.

T347-75VA: Field installable 347:120V 75VA step-down transformer, attaches to knock out on frame junction box, for use with non-IC (N) or remodel (R) frames.

ENERGY STAR® exceptions

- 500lm & 90 CRI configurations
- Champagne Bronze & Black finishes
- 347V & Emergency voltage/options
- Dali, EldoLED Solo & PoE drivers

Title 24 exceptions

- 1000lm configurations
- Champagne Bronze & Black finishes

Labels and Listings

- cULus listed for wet locations
- ENERGY STAR® certified
- RoHS certified
- CEC Title 24 JA8 certified
- CCEA (frames with *LC suffix)
- IP65 rated with vandal proof accessory

Warranty



5 year limited warranty
Visit [Signify.com/warranties](https://www.signify.com/warranties) for more information on Signify's standard 5-year limited warranty on complete luminaire systems.

C4RDL Calculite LED 4" gen 3

Round Downlight

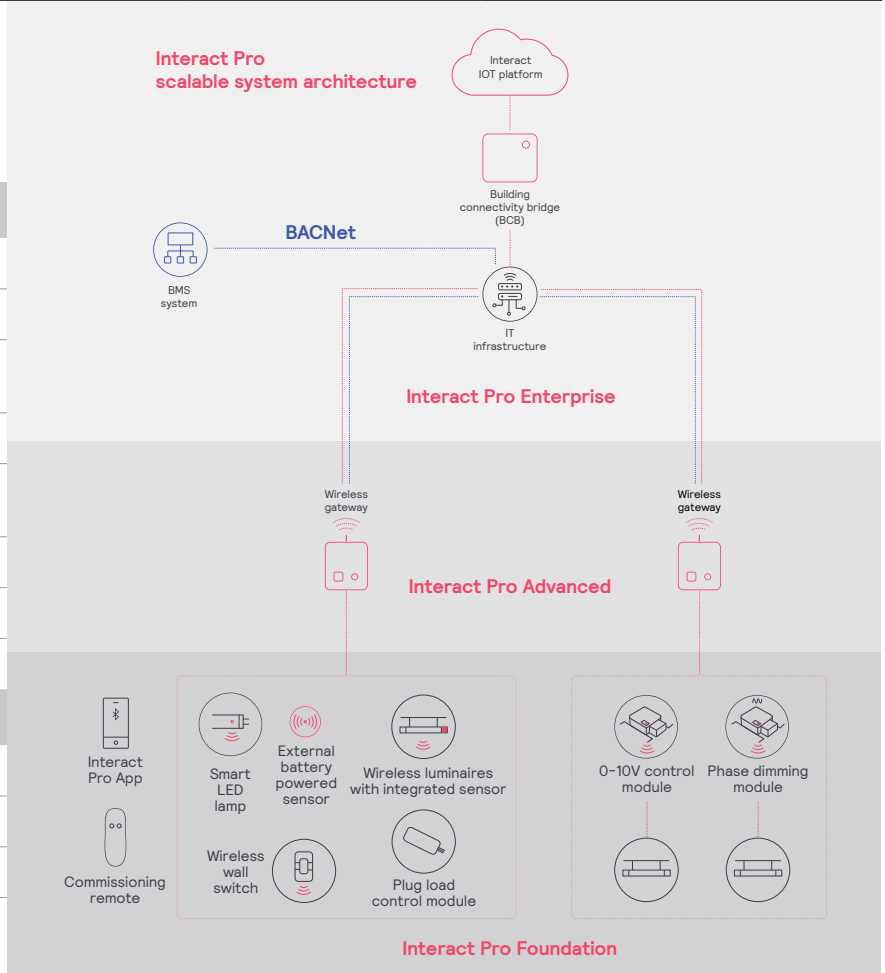
interact

	Interact Pro scalable system		
	Foundation	Advanced	Enterprise
Dimming, grouping, and zoning	✓	✓	✓
Bluetooth and ZigBee enabled	✓	✓	✓
Motion sensing and daylight harvesting	✓	✓	✓
Integration with 0-10V and phase dimming fixtures	✓	✓	✓
Code compliance	✓	✓	✓
Granular dimming and dwell time	✓	✓	✓
Energy reporting and monitoring		✓	✓
Scheduling		✓	✓
Demand response		✓	✓
BMS integration (BACnet)			✓
Floor plan visualization			✓
IoT sensors for wellness			✓
IoT Apps for productivity			✓

Currently supported maximum system size

To be able to design the lighting system correctly for the customer, it is important to know the prime characteristics of the system, its possibilities and limitations.

System level	
Total number of gateways	Unlimited
Total number of devices	200 per network
<ul style="list-style-type: none"> • luminaires with integrated sensors 	150
<ul style="list-style-type: none"> • smart TLEDS 	150
Total number of ZGP devices (sensors and switches)	50
<ul style="list-style-type: none"> • sensors 	30
<ul style="list-style-type: none"> • switches 	50
<ul style="list-style-type: none"> • zones and groups 	64
Group level	
Recommended number of lights	40 (recommended 25)
Number of ZGP devices	5
Number of scenes	16



C4RDL Calculite LED 4" gen 3

Round Downlight

Wireless Controls Options

Interact Pro scalable sensor (System Bridge Accessory with -CS option):

- CS is a connected sensor with integral occupancy and daylight sensing and supports wireless mesh connectivity.
- The sensor works in the Foundation mode (similar to SpaceWise) when configured without a gateway or in an Interact Pro Advanced or Enterprise mode if a compatible gateway is used.
- Interact Pro includes an App, a portal and a broad portfolio of wireless luminaires, lamps and retrofit kits all working on the same system.
- Startup is implemented via Interact Pro App (Android or iPhone) & Bluetooth connectivity. The App provides flexibility to choose between a gateway or non gateway mode for setup.
- Setup with the gateway requires wired internet access to the gateway. It is possible to add a gateway at a later point.
- Prepare project configuration steps remotely and use IRT9015 remote onsite to identify and group devices together.
- Compatible with:
 - SWS200 wireless scene switch
 - Battery powered IP42 presence sensor OCC sensor IA CM WH 10/1
 - Battery powered IP42 presence & daylight sensor OCC-DL sensor IA CM IP42 WH
 - Battery powered IP65 presence sensor OCC sensor IA CM IP65 WH
 - Battery powered IP65 presence & daylight sensor OCC-DL sensor IA CM IP65 WH
- For more information on Interact Pro visit: www.interact-lighting.com/interactproscalablesystem.

Interact Pro Enterprise (System Bridge Accessory with -SB option):

- A wireless IoT connected lighting solution for large enterprises that span across multiple floors, buildings and require multiple gateways.
- View all your projects under one dashboard and easily compare insights from multiple projects in one view.
- Compatible with SWS200 wireless scene switch, wireless Occ sensor (OCC SENSOR IA CM IP42 WH 10/1) and wireless Day/Occ sensor (OCC MULTI SENSOR IA CM WH 10/1) and wireless Occupancy or Daylight & Occupancy sensors available.
- Use Interact software and insights to increase building efficiency, achieve building wide integration and optimize space through occupancy analytics.
- SB option in addition to occupancy and daylight sensing supports advanced IoT capabilities such as people estimation analysis, desk level temperature & humidity sensing, noise classification, and BLE beacon.
- Requires compatible Gateway and internet connectivity for commissioning.
- For more information, visit: www.interact-lighting.com/office or www.usa.lighting.philips.com/systems/system-areas/offices.

Emergency Options (ER100) (System Bridge Accessory with -ER100 option):

- Power Sensing (Factory default) – Recommended UL924 option requires unswitched power sense line, absence of voltage on the normal circuit triggers luminaire to 100% output
 - Power Interruption Detection (Field option) – Detects AC power interruption >30ms triggers 90 minute emergency mode with luminaire at 100% output
- #### Radio only sensor (RA):
- Integral radio (RA) only sensor simply enables wireless mesh connectivity to the luminaire without any occupancy or daylight sensing.
 - Ideal for applications where sensing functionality is managed by other Interact devices and the luminaire only needs to have wireless connectivity.
 - Integral RF device affixed to the driver box (see page 6 for details).
 - RA option available on light engines only.
 - 120-347V universal.

Wired Controls Options

Interact Office Wired (PoE):

- PoE based IoT connected lighting solution for large enterprises that span across multiple floors, buildings and require multiple gateways.
- Use Interact Office software and insights to increase building efficiency, achieve building wide integration and optimize space through occupancy analytics.
- Supports advanced IoT Apps on Personal Control, Space Management, wayfinding, room/desk reservation and offers open APIs for light control and data exchange.
- PoE lighting controller is accessible from below.
- Integral sensor option for occupancy sensing (PIR) and/or daylight harvesting available for additional energy savings.

- Optional integral emergency controller and battery pack provides 600lm nominal output.
- Test switch and indicator light mounted on side of chassis on one end.
- Emergency battery has a 3 month pre-installed shelf life, and must be stored and installed in environments of 20C to 30C (-4F to 86F) ambient, and 45-85% relative humidity.
- For more information on Interact Office Wired, visit: www.interact-lighting.com/office or www.usa.lighting.philips.com/systems/system-areas/offices.

Interact Office Wired (PoE), Static White:

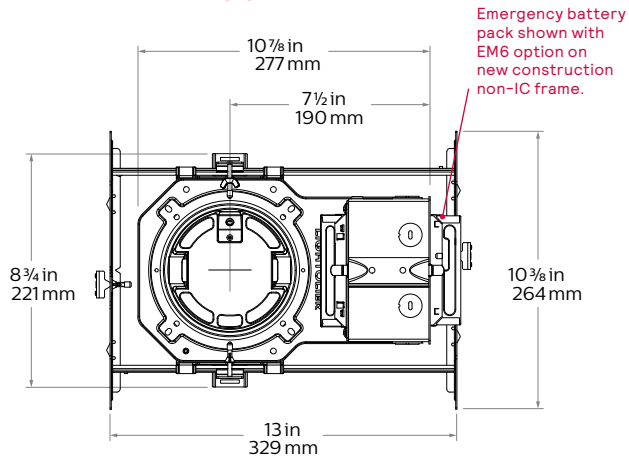
- A wireless IoT connected lighting solution for large enterprises that span across multiple floors, buildings and require multiple gateways.

- View all your projects under one dashboard and easily compare insights from multiple projects in one view.
- Compatible Zigbee Green Power wall dimmer and wireless Occupancy or Daylight & Occupancy sensors available.
- Use Interact Office software and insights to increase building efficiency, achieve building wide integration and optimize space through occupancy analytics.
- Supports advanced IoT Apps on wayfinding, room/desk reservation and offers open APIs
- Requires compatible Interact Office Gateway and internet connectivity for commissioning.
- For more information on Interact Office Wireless, visit: www.interact-lighting.com/office or www.usa.lighting.philips.com/systems/system-areas/offices.

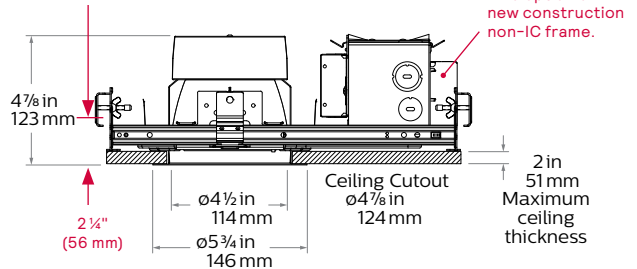
C4RDL Calculite LED 4" gen 3

Round Downlight

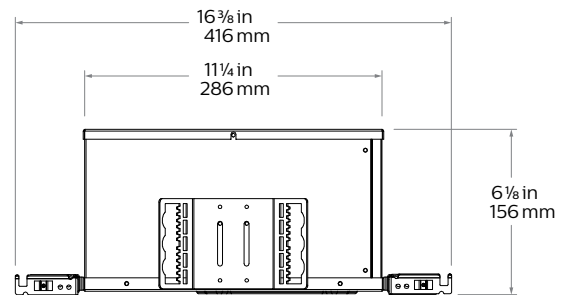
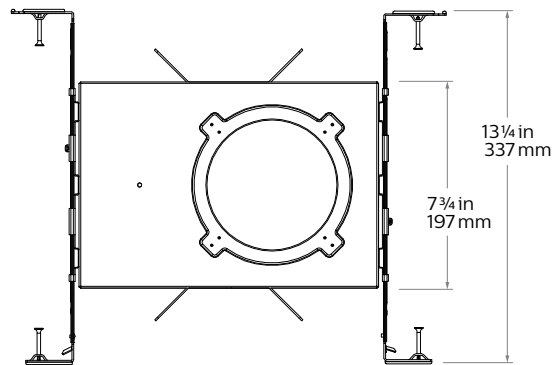
New Construction (N)



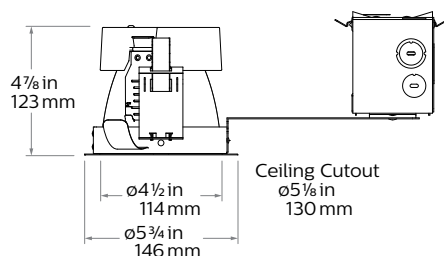
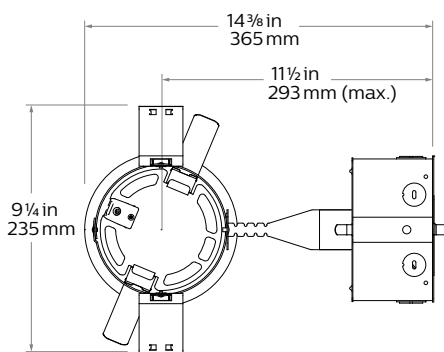
Center point location for integral emergency test switch (IEM6)



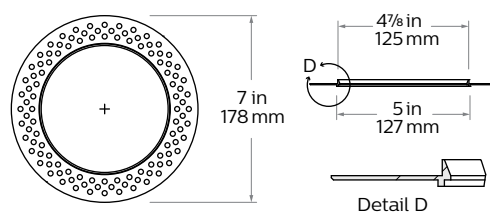
Chicago Plenum (LC)



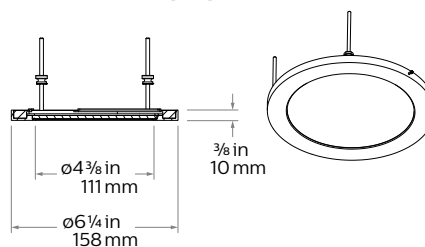
Remodeler (R)



Flangeless mud-in ring (CA4RFT) accessory



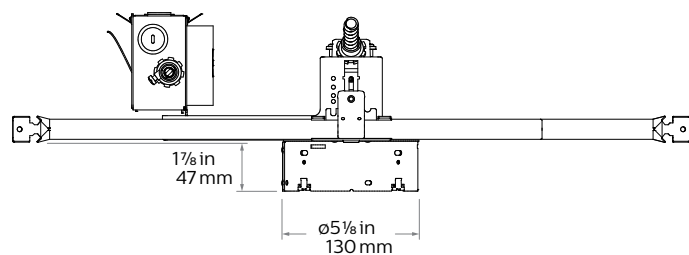
Vandal Proof (VP) accessory



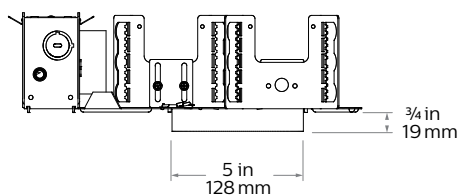
C4RDL Calculite LED 4" gen 3

Round Downlight

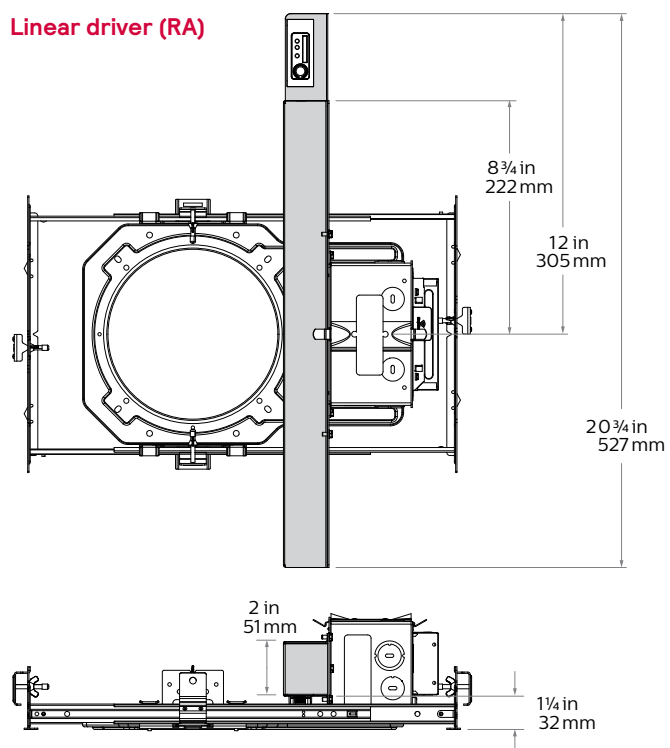
Round tall collar frame (RH type light engine required)



Round standard steel frame (R type light engine required)



Linear driver (RA)



C4RDL Calculite LED 4" gen 3

Round Downlight

Narrow

Light engine	Input volts	Input freq	Input current	Drive current	Input power	THD power	Power factor
C4L05_NZ10U/3	120V	50/60Hz	0.05	110 mA	6W	<20%	>0.95
	277V		0.03			<20%	>0.90
C4L10_NZ10U/3	120V	50/60Hz	0.08	230 mA	11W	<15%	>0.95
	277V		0.04			<20%	>0.95
C4L15_NZ10U/3	120V	50/60Hz	0.12	360 mA	16W	<10%	>0.95
	277V		0.06			<15%	>0.95
C4L20_NZ10U/3	120V	50/60Hz	0.17	490 mA	21W	<10%	>0.95
	277V		0.08			<15%	>0.95
C4L25_NZ10U/3	120V	50/60Hz	0.22	640 mA	27W	<10%	>0.95
	277V		0.10			<15%	>0.95
C4L30_NZ10U/3	120V	50/60Hz	0.27	790 mA	33W	<10%	>0.95
	277V		0.13			<15%	>0.95

Medium/Wide

Light engine	Input volts	Input freq	Input current	Drive current	Input power	THD power	Power factor
C4L05_MZ10U/3	120V	50/60Hz	0.05	110 mA	6W	<20%	>0.95
	277V		0.03			<20%	>0.90
C4L10_MZ10U/3	120V	50/60Hz	0.08	230 mA	11W	<15%	>0.95
	277V		0.04			<20%	>0.95
C4L15_MZ10U/3	120V	50/60Hz	0.12	350 mA	16W	<10%	>0.95
	277V		0.06			<15%	>0.95
C4L20_MZ10U/3	120V	50/60Hz	0.16	470 mA	21W	<10%	>0.95
	277V		0.08			<15%	>0.95
C4L25_MZ10U/3	120V	50/60Hz	0.21	610 mA	25W	<10%	>0.95
	277V		0.09			<15%	>0.95
C4L30_MZ10U/3	120V	50/60Hz	0.26	770 mA	31W	<10%	>0.95
	277V		0.12			<15%	>0.95

Narrow (Power over Ethernet)

Light engine	Input				
	Volts ¹	Voltage ²	Freq	Current	Power
C4L10__NPE	53V	51-54V	DC	160 mA	8.9 W
C4L15__NPE	53V	51-54V	DC	250 mA	13.6 W
C4L20__NPE	53V	51-54V	DC	340 mA	18.5 W
C4L25__NPE	53V	51-54V	DC	460 mA	24.6 W

Medium (Power over Ethernet)

Light engine	Input				
	Volts ¹	Voltage ²	Freq	Current	Power
C4L10__MPE	53V	51-54V	DC	160 mA	8.8 W
C4L15__MPE	53V	51-54V	DC	250 mA	13.4 W
C4L20__MPE	53V	51-54V	DC	320 mA	17.6 W
C4L25__MPE	53V	51-54V	DC	430 mA	23.2 W

Wide (Power over Ethernet)

Light engine	Input				
	Volts ¹	Voltage ²	Freq	Current	Power
C4L10__WPE	53V	51-54V	DC	160 mA	8.8 W
C4L15__WPE	53V	51-54V	DC	250 mA	13.4 W
C4L20__WPE	53V	51-54V	DC	320 mA	17.6 W
C4L25__WPE	53V	51-54V	DC	430 mA	23.2 W

- Nominal input volts.
- Preferred volt range.

Marked spacing applications

Light engine	2000lm	2500lm	3000lm
C4L_Z10 series	-	-	X
C4L_L01 series	X	X	X
C4L_L1 series	X	X	X
C4L_LD series	X	X	X
C4L_LTE series	X	X	X
C4L_D series	-	-	X
C4L_DMx series	-	-	X
C4L_RA series	-	-	X

Modules marked with an X require marked spacing:
 - Center-to-center of adjacent luminaires: 24" (610mm)
 - Luminaire center to side building member: 12" (305mm)

In accordance with CAN ICES-005-A/ NEB-005-A and FCC Part 15-A.

Lifetime (TM-21 data)

Lumens	Narrow beam	Medium/Wide beam*
500lm 1000lm 1500lm	L90 @ 60,000hrs.	L90 @ 60,000hrs.
2000lm 2500lm 3000lm*	L90 @ 60,000hrs.	L85 @ 60,000hrs.

* Lutron 3000lm with Medium/Wide beam is L80 @ 60,000hrs.

C4RDL Calculite LED 4" gen 3

Round Downlight

Polished Reflectors



Specular clear (CL): Most specular and most efficient finish, delivers maximum photometric performance but can produce a mirror image effect of the interior space.



Champagne bronze (CZ): Semi-specular finish that softens light at the source of the reflector while providing a warmer reflector appearance (slightly warmer).



Comfort clear (CC): Semi-specular finish that softens the light at the source of the reflector and creates a subtle, even luminance from the reflector cone.



White (WH): (matte) Brightest illuminated aperture and provides the smoothest transition to most ceilings when off (white is only available with a white flange).



Comfort clear diffuse (CD): Slightly diffuse clear finish, that eliminates iridescence and reduces the mirror image effect inherent with specular finishes.



Black (BK): (anodized) Specular finish that provides the lowest aperture brightness possible and significantly reduces source identification in a ceiling.



Vandal proof (VP): Provides an elegant solution for vandal resistant needs. One piece machined aluminum ring with impact resistant clear lens. Flangeless (F) flange must be ordered. Provides the luminaire with an IK10 impact and IP65 rating.



Shower light (SL): Wet location rated shower light with clear acrylic lens applicable in any installation requiring dead front trims, interior or exterior non-corrosive applications, or where a diffused lens at the ceiling is required (non-conductive).

Flanges



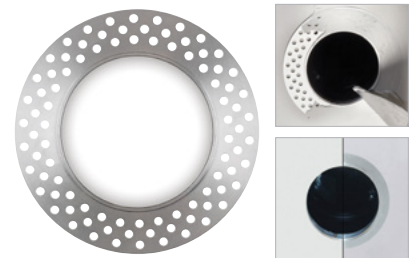
White (-): (matte) Provides the smoothest transition to ceilings when off.



Polished (P): (matches aperture) Produces a continuous look throughout the reflector (aperture matching).



Flangeless (F): (flush-mount) Creates a flush, virtually seamless transition from aperture to ceiling.



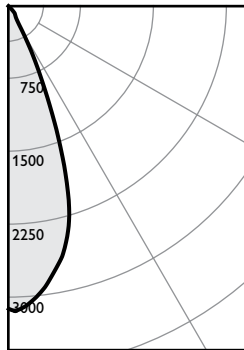
Mud-in ring (FT): Low profile, machined aluminum mud-in ring provides a raised rib to plaster up to and a 3/16" flange thickness. The ring is attached to the ceiling material as opposed to the frame-in kit to avoid conduction of heat and vibration which can cause yellowing or cracking of the plaster.

C4RDL Calculite LED 4" gen 3

Round Downlight

Narrow beam, 1500lm Engine, 103.8 lm/W at 14.7W or 112.2 lm/W at 13.6W (Power over Ethernet)

Candela Curve



Frame: **C4RN or 4RN**
 Engine: **C4L15835NZ10U**
 Trim: **C4RDLCL**

Output lumens: 1526 lms
 Input watts: 14.7 W
 CRI: 80 min
 CCT¹: 3500K
 Spacing Crit.: 0.6
 Beam Angle: 43°

Zonal summary

Zone	Lumens	%Luminaire
0-30	1354	88.7%
0-40	1469	96.3%
0-60	1526	100.0%
0-90	1526	100.0%

Angle	Mean CP	Lumens
0	3112	
5	3044	282
10	2785	
15	2410	652
20	1672	
25	837	420
30	324	
35	163	115
40	128	
45	77	57
50	0	
55	0	0
60	0	
65	0	0
70	0	
75	0	0
80	0	
85	0	0
90	0	

Single unit data

Height to lighted plane	Initial center beam foot-candles	Beam diameter (ft)*
5'	124	3.0'
6'	86	3.6'
7'	64	4.2'
8'	49	4.8'
9'	38	5.4'

* Beam diameter is where foot-candles drop to 50% of maximum.

Multiple unit data - RCR 2

Spacing on center	Initial center beam foot-candles	Watts per sq. ft.
5'	71.3	0.65
6'	46.8	0.43
7'	33.4	0.31
8'	27.8	0.25
9'	22.3	0.20

38' x 38' x 10' Room, Workplane 2.5' above floor, 80/50/20% Reflectances

Efficacy: 103.8 lm/w
 Report#: T20161390

Adjustment factors

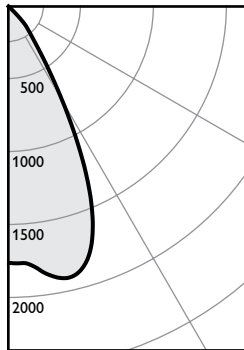
Finish	CCT	Lumens
CL = 100%	80CRI 4000K = 107%	3000lm = 200%
CC = 95%	80CRI 3500K = 100%	2500lm = 167%
CD = 87%	80CRI 3000K = 99%	2000lm = 133%
CZ = 63%	80CRI 2700K = 93%	1500lm = 100%
WH = 87%	90CRI 3000K = 87%	1000lm = 67%
BK = 57%	90CRI 2700K = 81%	500lm = 33%

Coefficients of utilization

Ceiling	80%				70%		50%		30%		0%	
	70	50	30	10	50	10	50	10	50	10	0	
Wall	70	50	30	10	50	10	50	10	50	10	0	
RCR	Zonal cavity method - Effective floor reflectance = 20%											
Room Cavity Ratio	0	119	119	119	119	116	116	111	111	106	106	100
1	114	112	110	108	110	106	106	103	102	100	95	
2	110	106	102	99	104	98	101	96	98	94	91	
3	105	100	96	92	99	92	96	90	94	89	86	
4	101	95	90	87	94	86	92	85	90	84	82	
5	97	90	85	82	89	81	88	81	86	80	78	
6	93	86	81	77	85	77	84	77	83	76	74	
7	90	82	77	74	81	73	80	73	79	73	71	
8	86	79	74	70	78	70	77	70	76	69	68	
9	83	75	70	67	75	67	74	67	73	66	65	
10	80	72	67	64	72	64	71	64	70	64	62	

Medium beam, 1500lm Engine, 114.6 lm/W at 14.2W or 121.4 lm/W at 13.4W (Power over Ethernet)

Candela Curve



Frame: **C4RN or 4RN**
 Engine: **C4L15835MZ10U**
 Trim: **C4RDLCL**

Output lumens: 1627 lms
 Input watts: 14.2 W
 CRI: 80 min
 CCT¹: 3500K
 Spacing Crit.: 0.9
 Beam Angle: 56°

Zonal summary

Zone	Lumens	%Luminaire
0-30	1269	78.0%
0-40	1537	94.5%
0-60	1627	100.0%
0-90	1627	100.0%

Angle	Mean CP	Lumens
0	1760	
5	1783	174
10	1886	
15	1887	524
20	1702	
25	1283	572
30	762	
35	406	268
40	236	
45	116	89
50	14	
55	0	1
60	0	
65	0	0
70	0	
75	0	0
80	0	
85	0	0
90	0	

Single unit data

Height to lighted plane	Initial center beam foot-candles	Beam diameter (ft)*
5'	70	4.5'
6'	49	5.4'
7'	36	6.3'
8'	28	7.2'
9'	22	8.1'

* Beam diameter is where foot-candles drop to 50% of maximum.

Multiple unit data - RCR 2

Spacing on center	Initial center beam foot-candles	Watts per sq. ft.
5'	74.8	0.63
6'	49.1	0.41
7'	35.0	0.30
8'	29.2	0.25
9'	23.4	0.20

38' x 38' x 10' Room, Workplane 2.5' above floor, 80/50/20% Reflectances

Efficacy: 114.6 lm/w
 Report#: T20161397

Adjustment factors

Finish	CCT	Lumens
CL = 100%	80CRI 4000K = 102%	3000lm = 200%
CC = 95%	80CRI 3500K = 100%	2500lm = 167%
CD = 87%	80CRI 3000K = 97%	2000lm = 133%
CZ = 63%	80CRI 2700K = 87%	1500lm = 100%
WH = 87%	90CRI 3000K = 77%	1000lm = 67%
BK = 57%	90CRI 2700K = 73%	500lm = 33%

Coefficients of utilization

Ceiling	80%				70%		50%		30%		0%
	70	50	30	10	50	10	50	10	50	10	0
Wall	70	50	30	10	50	10	50	10	50	10	0
RCR	Zonal cavity method - Effective floor reflectance = 20%										
Room Cavity Ratio	0	119	119	119	116	116	111	111	106	106	100
1	114	111	109	107	109	105	105	102	101	99	94
2	108	104	100	97	102	96	99	94	96	92	88
3	103	97	93	89	96	88	93	87	91	85	82
4	98	91	86	82	90	81	88	81	86	80	77
5	94	86	80	76	85	76	83	75	81	74	72
6	89	81	75	71	80	71	79	70	77	70	68
7	85	76	70	66	76	66	74	66	73	66	64
8	81	72	66	62	71	62	70	62	69	62	60
9	77	68	63	59	68	59	67	58	66	58	57
10	74	65	59	55	64	55	63	55	63	55	54

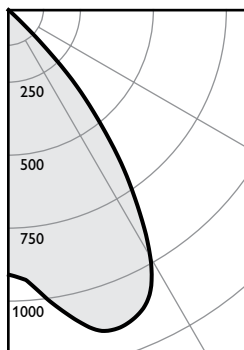
1. Correlated Color Temperature within specs as defined in ANSI_NEMA_ANSI C78.377-2008: Specifications for the Chromaticity of Solid State Lighting Products.
 2. Tested using absolute photometry as specified in LM79: IESNA Approved Method for the Electrical and Photometric Measurements of Solid-State Lighting Products.

C4RDL Calculite LED 4" gen 3

Round Downlight

Wide beam, 1500lm Engine, 106.6 lm/W at 14.2W or 113.2 lm/W at 13.4W (Power over Ethernet)

Candela Curve



Frame: **C4RN or 4RN**
 Engine: **C4L15835WZ10U**
 Trim: **C4RDLCL**

Output lumens: 1517 lms
 Input watts: 14.2 W
 CRI: 80 min
 CCT¹: 3500K
 Spacing Crit.: 1.2
 Beam Angle: 76°

Zonal summary

Zone	Lumens	%Luminaire
0-30	918	60.5%
0-40	1368	90.2%
0-60	1517	100.0%
0-90	1517	100.0%

Angle	Mean CP	Lumens
0	906	
5	945	93
10	1040	
15	1128	318
20	1153	
25	1114	506
30	978	
35	732	450
40	460	
45	175	148
50	18	
55	0	2
60	0	
65	0	0
70	0	
75	0	0
80	0	
85	0	0
90	0	

Single unit data

Height to lighted plane	Initial center beam foot-candles	Beam diameter (ft)*
5'	36	6.0'
6'	25	7.2'
7'	18	8.4'
8'	14	9.6'
9'	11	10.8'

* Beam diameter is where foot-candles drop to 50% of maximum.

Multiple unit data - RCR 2

Spacing on center	Initial center beam foot-candles	Watts per sq. ft.
5'	68.5	0.63
6'	45.0	0.41
7'	32.1	0.30
8'	26.8	0.25
9'	21.4	0.20

38' x 38' x 10' Room, Workplane 2.5' above floor, 80/50/20% Reflectances

Efficacy: 106.6 lm/w
 Report#: T20161406

Adjustment factors

Finish	CCT	Lumens
CL = 100%	80CRI 4000K = 102%	3000lm = 200%
CC = 95%	80CRI 3500K = 100%	2500lm = 167%
CD = 87%	80CRI 3000K = 97%	2000lm = 133%
CZ = 63%	80CRI 2700K = 87%	1500lm = 100%
WH = 87%	90CRI 3000K = 77%	1000lm = 67%
BK = 57%	90CRI 2700K = 73%	500lm = 33%

Coefficients of utilization

Ceiling	80%				70%		50%		30%		0%	
	70	50	30	10	50	10	50	10	50	10	0	
Wall	Zonal cavity method - Effective floor reflectance = 20%											
RCR	Zonal cavity method - Effective floor reflectance = 20%											
Room Cavity Ratio	0	119	119	119	119	116	116	111	111	106	106	100
1	113	110	108	105	108	104	104	100	100	97	93	93
2	107	102	98	94	100	93	97	91	94	89	86	86
3	101	94	89	85	93	84	90	83	88	81	79	79
4	96	87	82	77	86	77	84	76	82	75	72	72
5	90	81	75	70	80	70	78	69	77	69	66	66
6	85	75	69	64	75	64	73	64	72	63	61	61
7	80	70	64	59	69	59	68	59	67	58	56	56
8	76	65	59	55	65	54	64	54	63	54	52	52
9	72	61	55	50	61	50	60	50	59	50	48	48
10	68	57	51	47	57	47	56	47	55	46	45	45

1. Correlated Color Temperature within specs as defined in ANSI_NEMA_ANSI C78.377-2008: Specifications for the Chromaticity of Solid State Lighting Products.
2. Tested using absolute photometry as specified in LM79: IESNA Approved Method for the Electrical and Photometric Measurements of Solid-State Lighting Products.



© 2021 Signify Holding. All rights reserved. The information provided herein is subject to change, without notice. Signify does not give any representation or warranty as to the accuracy or completeness of the information included herein and shall not be liable for any action in reliance thereon. The information presented in this document is not intended as any commercial offer and does not form part of any quotation or contract, unless otherwise agreed by Signify.

Signify North America Corporation
 400 Crossing Blvd, Suite 600
 Bridgewater, NJ 08807
 Telephone: 855-486-2216

Signify Canada Ltd.
 281 Hillmount Road,
 Markham, ON, Canada L6C 2S3
 Telephone: 800-668-9008

All trademarks are owned by Signify Holding or their respective owners.