



Calculite LED 4" generation 3 provides excellent performance coupled with optimized installation flexibility via UniFrame. Industry leading visual comfort and uniform illumination make it an ideal choice for open office, institution, healthcare, and retail applications.

Complete luminaire = Frame + Engine + Trim + Accessories (optional)

Project: _____
 Location: _____
 Cat.No: _____
 Type: _____
 Qty: _____
 Notes: _____

Frame

example: 4RA

Series	Aperture	Installation
4	R	A
4 4" New Construction	R Round	A AirSeal IC 120/277/347V ¹

Engine

example: C4L15835NZ10U

Series	Lumens	CRI	CCT	Beam ²	Dimming	Options	Voltage	
C4L								
C4L Calculite LED 4" gen 3	05 500lm	8 80CRI	27 2700K	N Narrow (43°) M Medium (56°) W Wide (76°) ²	Z10 0-10V 1%	--- None	U 120/277V 3 347V (Z10 only)	
	10 1000lm	9 90CRI	30 3000K			D20 Dim to Off		
	15 1500lm		35 3500K		L01 Lutron PEQO EcoSystem 0.1% L1 Lutron LDE1 EcoSystem (500lm not available)			U 120/277V
	20 2000lm		40 4000K			D DALI 0.1%	--- None LIN Linear	
					SOL EldoLED Solo 0-10V 0.1%	LIN Linear SQR Square	U 120/277V	
					DMX Digital Multiplexing w/RDM 0.1%			
			E Forward & Reverse Phase			1 120V		
			LTE Lutron LTE Hi-Lume Phase Cut 1% (500lm not avail.)					

Trim

example: C4RDLCCP

Series	Aperture	Style	Finish	Flange
C4	R			
C4L Calculite LED 4" gen 3	R Round	DL Downlight	CL Specular clear CZ Champagne bronze CC Comfort clear BK Black (anodized) CD Comfort clear diffuse	- White (matte) P Polished (matches aperture) F Flangeless (requires CA4RFT)
		WW Open Wall Wash ¹ LW Lensed Wall Wash ¹ CW Corner Wall Wash ^{1,3} DW Double Wall Wash ^{1,3}		
			WH White (matte)	
			WHAMF White (gloss antimicrobial)	

Accessories

SBA	Interact Ready System Bridge Accessory with integral occupancy and daylight sensor (compatible with all 0-10V options, see SBA spec sheet) ⁴
7920	4" sloped ceiling adapter (refer to SCA spec sheet for slope options)
CA4RFT	Mud-in ring for use with flangeless installations (ordered with a flangeless trim)
C4RVPWH	Vandal proof accessory (see accessories on page 2 for details)

1. Universal 120-347V for 0-10v (Z10) dimming only. Non-Z10 dimming options available for 120/277V only.
2. Wide (W) beam is ideal for all Wall Wash (LW, WW, CW, DW) applications.
3. Linear driver profile, enables wireless connected lighting control (see page 7 for details).
4. Corner (CW) and Double (DW) Wall Wash are not available with flangeless (F) option.
5. Requires IRT9015 IR remote & Interact Pro App for commissioning.



C4RA Calculite LED 4" gen 3

Round AirSeal IC frame

Frame-in-kits

AirSeal:

Galvanized steel housing for dry or plaster ceilings. Pre-installed telescoping mounting bars from 13" to 24".

Patented install Mounting frame:

With no driver attached, this versatile frame is independent of driver accommodating a wide range of lumen packages, driver types and CCTs, including 120V and 277V inputs.

Close-cut aperture design eliminates possibility of gap between ceiling opening & reflector flange.

Separate wiring compartment for wiring frame to building allows inspection prior to light engine install.

Simple plug-and-play connection between frame and light engine from below ceiling eliminates need for wiring between frame and LED driver, and also saves time during installation and future replacements/upgrades. Plug-and-play receptacle accommodates technology upgrade of light engines and replacements for the life of the building.

Dimming

All configurations are FCC Class A unless otherwise specified.

- Advance 0-10V 1% (Z10), logarithmic curve is standard, specify D20 for factory-set dim-to-off function, consult factory for linear dimming curve.
- EldoLED SOLODrive (SOL) 0-10V 0.1%
- Lutron PEQ0 (L01) Hi-Lume Premier EcoSystem 0.1%
- Lutron LDE1 (L1) EcoSystem 1%
- Lutron LTE (LTE) Hi-Lume 2-wire phase cut 1%
- Electronic low voltage (E) - forward or reverse phase dimming, remodel and AirSeal IC Shallow are FCC Class B
- DALI (D) - DT6 DALI 0.1%
- DMX (DMX) - Digital multiplexing with RDM 0.1%
- Dim to Warm (D2W) - option changes CCT from 3000 - 1800K gradually as it dims, dimming agnostic

Dimming options:

- The following are factory-set for the SOL, D, and DMX driver options (ex. DMXLIN):
- SOL/D/DMX: Logarithmic (-) standard
- SOL/D/DMX: Linear (LIN)
- SOL/DMX: Square (SQR)

Optical systems

Comfort throughout the space:

Patented optical system combines primary and secondary optics to provide a true 50° physical cutoff and 45° reflected cutoff virtually eliminating the view of the light source and bright spots in the reflector. A new reflector curve reduces reflector brightness by up to 50% compared to existing products, allowing for the use of higher lumen packages in smaller apertures without creating bright spots in the ceiling.

MesoOptics PET optical diffusion film:

provides a smooth beam shape and mitigates color over angle with optimized luminaire efficiency.

Quality of light:

2 SDCM ensures color consistency from fixture to fixture and over the luminaire's long lifetime. Proprietary optical grade silicone lens with patterned surface provides soft, even beam diffusion without hotspots or dark rings.

Light Engine

Quick connect power pack comprised of light source and driver allow for easy installation and replacement from below ceiling with no need for additional wiring. This allows for:

- Frame and ceiling installation to be performed while still finalizing details such as lumen packages, CCT and control type.
- Easy replacement of electronics at end of life with minimal wasted material and labor required.
- Ease and upgradability of technology.
- 347V light engines are 0-10v dimming only and include dedicated 347V driver for use with universal 120/277/347V (U) frames. All other dimming options available only for 120/277V input.

Options and Accessories

Flangeless mud-in ring: Use CA4RFT:

For use with flangeless plaster installations.

Sloped ceilings: Compatible with sloped ceiling adapters (see SCA spec sheet).

C4RVPWH: Includes machined aluminum ring painted white, gasketed for IP65 protection, and impact resistant polycarbonate lens (IK10). Locks in place with discrete setscrew (key included). Available also with antimicrobial finish (C4RVPWHAMF).

SBA: Interact Ready System Bridge Accessory. Requires IRT9015 IR remote and Interact Pro App for commissioning. Specify with integral occupancy and daylight sensing capabilities for controls and compatibility with Interact Pro.

ENERGY STAR® exceptions

- 500lm, 90CRI & all Wall wash configurations
- Champagne Bronze & Black finishes
- Dali, ELV & EldoLED Solo drivers

Title 24 exceptions

- 1000lm in Downlight, Wall Wash & Lensed Wall Wash configurations
- Champagne Bronze & Black finishes

Labels and Listings

- cULus listed for wet locations
- ENERGY STAR® certified
- RoHS certified
- CEC Title 24 JA8 certified

Warranty



5 year limited warranty
Visit [Signify.com/warranties](https://www.signify.com/warranties) for more information on Signify's standard 5-year limited warranty on complete luminaire systems.

C4RA Calculite LED 4" gen 3

Round AirsSeal IC frame

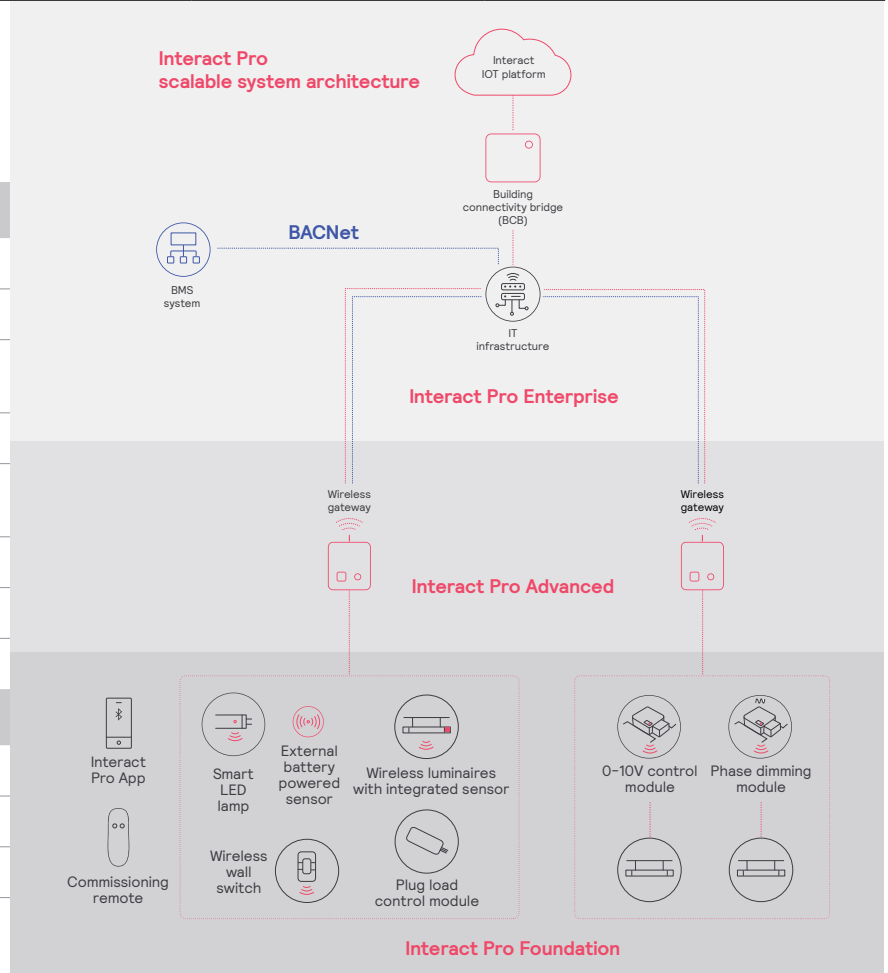
interact

Interact Pro scalable system			
	Foundation	Advanced	Enterprise
Dimming, grouping, and zoning	✓	✓	✓
Bluetooth and ZigBee enabled	✓	✓	✓
Motion sensing and daylight harvesting	✓	✓	✓
Integration with 0-10V and phase dimming fixtures	✓	✓	✓
Code compliance	✓	✓	✓
Granular dimming and dwell time	✓	✓	✓
Energy reporting and monitoring		✓	✓
Scheduling		✓	✓
Demand response		✓	✓
BMS integration (BACnet)			✓
Floor plan visualization			✓
IoT sensors for wellness			✓
IoT Apps for productivity			✓

Currently supported maximum system size

To be able to design the lighting system correctly for the customer, it is important to know the prime characteristics of the system, its possibilities and limitations.

System level	
Total number of gateways	Unlimited
Total number of devices	200 per network
<ul style="list-style-type: none"> • luminaires with integrated sensors 	150
<ul style="list-style-type: none"> • smart TLEDS 	150
Total number of ZGP devices (sensors and switches)	50
<ul style="list-style-type: none"> • sensors 	30
<ul style="list-style-type: none"> • switches 	50
<ul style="list-style-type: none"> • zones and groups 	64
Group level	
Recommended number of lights	40 (recommended 25)
Number of ZGP devices	5
Number of scenes	16



C4RA Calculite LED 4" gen 3

Round AirsSeal IC frame

Wireless Controls Options

Interact Pro scalable sensor

(System Bridge Accessory with -CS option):

- CS is a connected sensor with integral occupancy and daylight sensing and supports wireless mesh connectivity.
- The sensor works in the Foundation mode (similar to SpaceWise) when configured without a gateway or in an Interact Pro Advanced or Enterprise mode if a compatible gateway is used.
- Interact Pro includes an App, a portal and a broad portfolio of wireless luminaires, lamps and retrofit kits all working on the same system.
- Startup is implemented via Interact Pro App (Android or iPhone) & BlueTooth connectivity. The App provides flexibility to choose between a gateway or non gateway mode for setup.
- Setup with the gateway requires wired internet access to the gateway. It is possible to add a gateway at a later point.
- Prepare project configuration steps remotely and use IRT9015 remote onsite to identify and group devices together.
- Compatible with:
 - SWS200 wireless scene switch
 - Battery powered IP42 presence sensor OCC sensor IA CM WH 10/1
 - Battery powered IP42 presence & daylight sensor OCC-DL sensor IA CM IP42 WH
 - Battery powered IP65 presence sensor OCC sensor IA CM IP65 WH
 - Battery powered IP65 presence & daylight sensor OCC-DL sensor IA CM IP65 WH
- For more information on Interact Pro visit: www.interact-lighting.com/interactproscalablesystem.

Interact Pro Enterprise

(System Bridge Accessory with -SB option):

- A wireless IoT connected lighting solution for large enterprises that span across multiple floors, buildings and require multiple gateways.
- View all your projects under one dashboard and easily compare insights from multiple projects in one view.
- Compatible with SWS200 wireless scene switch, wireless Occ sensor (OCC SENSOR IA CM IP42 WH 10/1) and wireless Day/Occ sensor (OCC MULTI SENSOR IA CM WH 10/1) and wireless Occupancy or Daylight & Occupancy sensors available.
- Use Interact software and insights to increase building efficiency, achieve building wide integration and optimize space through occupancy analytics.
- SB option in addition to occupancy and daylight sensing supports advanced IoT capabilities such as people estimation analysis, desk level temperature & humidity sensing, noise classification, and BLE beacon.
- Requires compatible Gateway and internet connectivity for commissioning.
- For more information, visit: www.interact-lighting.com/office or www.usa.lighting.philips.com/systems/system-areas/offices.

Emergency Options (ER100)

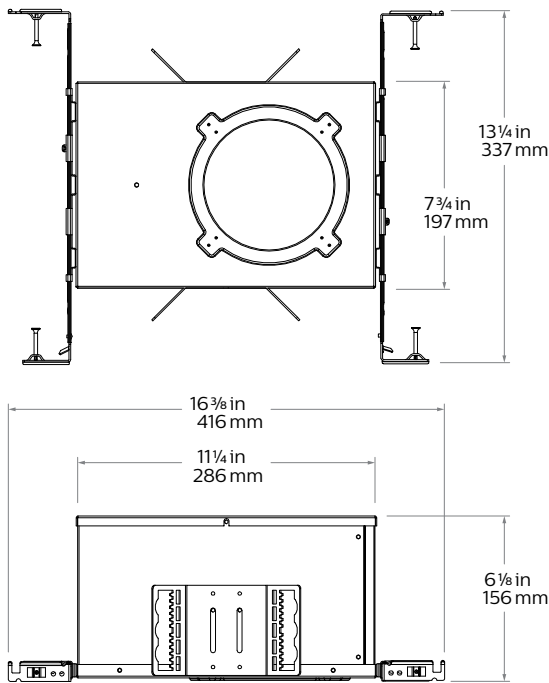
(System Bridge Accessory with -ER100 option):

- Power Sensing (Factory default) – Recommended UL924 option requires unswitched power sense line, absence of voltage on the normal circuit triggers luminaire to 100% output
- Power Interruption Detection (Field option) – Detects AC power interruption >30ms triggers 90 minute emergency mode with luminaire at 100% output.

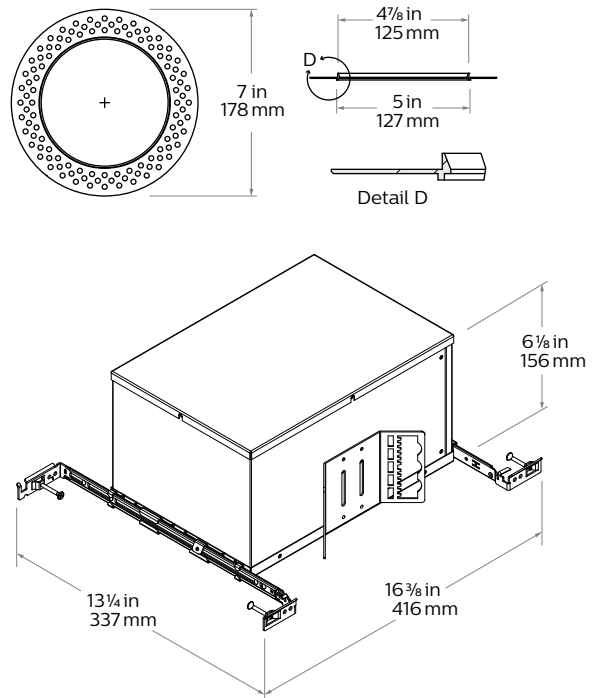
C4RA Calculite LED 4" gen 3

Round AirsSeal IC frame

AirsSeal (A)



Flangeless mud-in ring (CA4RFT) accessory



Narrow

Light engine	Input volts	Input freq.	Input current	Drive current	Input power	THD power	Power factor
C4L05_NZ10U/3	120V	50/60Hz	0.05	110 mA	6W	<20%	>0.95
	277V		0.03			<20%	>0.90
C4L10_NZ10U/3	120V	50/60Hz	0.08	230 mA	11W	<15%	>0.95
	277V		0.04			<20%	>0.95
C4L15_NZ10U/3	120V	50/60Hz	0.12	360 mA	16W	<10%	>0.95
	277V		0.06			<15%	>0.95
C4L20_NZ10U/3	120V	50/60Hz	0.17	490 mA	21W	<10%	>0.95
	277V		0.08			<15%	>0.95

Medium/Wide

Light engine	Input volts	Input freq.	Input current	Drive current	Input power	THD power	Power factor
C4L05_MZ10U/3	120V	50/60Hz	0.05	110 mA	6W	<20%	>0.95
	277V		0.03			<20%	>0.90
C4L10_MZ10U/3	120V	50/60Hz	0.08	230 mA	11W	<15%	>0.95
	277V		0.04			<20%	>0.95
C4L15_MZ10U/3	120V	50/60Hz	0.12	350 mA	16W	<10%	>0.95
	277V		0.06			<15%	>0.95
C4L20_MZ10U/3	120V	50/60Hz	0.16	470 mA	21W	<10%	>0.95
	277V		0.08			<15%	>0.95

Lifetime (TM-21) data

Lumens	Narrow beam	Medium/Wide beam
500lm	L85 @ 55,000hrs.	L90 @ 60,000hrs.
1000lm		
1500lm		
2000lm	L85 @ 55,000hrs.	L80 @ 60,000hrs.

C4RA Calculite LED 4" gen 3

Round AirsSeal IC frame

Reflector



Specular clear (CL): Most specular and most efficient finish, delivers maximum photometric performance but can produce a mirror image effect of the interior space.



Champagne bronze (CZ): Semi-specular finish that softens light at the source of the reflector while providing a warmer reflector appearance (slightly warmer).



Comfort clear (CC): Semi-specular finish that softens the light at the source of the reflector and creates a subtle, even luminance from the reflector cone.



White (WH): (matte) Brightest illuminated aperture and provides the smoothest transition to most ceilings when off (white is only available with a white flange).



Comfort clear diffuse (CD): Slightly diffuse clear finish, that eliminates iridescence and reduces the mirror image effect inherent with specular finishes.



Black (BK): (anodized) Specular finish that provides the lowest aperture brightness possible and significantly reduces source identification in a ceiling.

Flanges



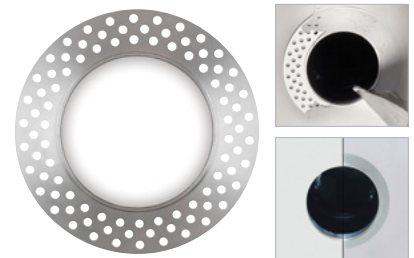
White (-): (matte) Provides the smoothest transition to ceilings when off.



Polished (P): (matches aperture) Produces a continuous look throughout the reflector (aperture matching).



Flangeless (F): (flush-mount) Creates a flush, virtually seamless transition from aperture to ceiling.



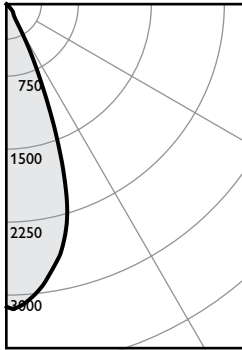
Mud-in ring (FT): Low profile, machined aluminum mud-in ring provides a raised rib to plaster up to and a 3/16" flange thickness. The ring is attached to the ceiling material as opposed to the frame-in kit to avoid conduction of heat and vibration which can cause yellowing or cracking of the plaster.

C4RA Calculite LED 4" gen 3

Round AirSeal IC frame

Narrow beam, 1500lm Engine, 103.8 lm/W

Candela Curve



Frame: 4RN
 Engine: C4L15835NZ10U
 Trim: C4RDLCL

Output lumens: 1526 lms
 Input watts: 14.7 W
 CRI: 80 min
 CCT¹: 3500K
 Spacing Crit.: 0.6
 Beam Angle: 43°

Zonal summary

Zone	Lumens	%Luminaire
0-30	1354	88.7%
0-40	1469	96.3%
0-60	1526	100.0%
0-90	1526	100.0%

Angle	Mean CP	Lumens
0	3112	
5	3044	282
10	2785	
15	2410	652
20	1672	
25	837	420
30	324	
35	163	115
40	128	
45	77	57
50	0	
55	0	0
60	0	
65	0	0
70	0	
75	0	0
80	0	
85	0	0
90	0	

Single unit data

Height to lighted plane	Initial center beam foot-candles	Beam diameter (ft)*
5'	124	3.0'
6'	86	3.6'
7'	64	4.2'
8'	49	4.8'
9'	38	5.4'

* Beam diameter is where foot-candles drop to 50% of maximum.

Multiple unit data - RCR 2

Spacing on center	Initial center beam foot-candles	Watts per sq. ft.
5'	71.3	0.65
6'	46.8	0.43
7'	33.4	0.31
8'	27.8	0.25
9'	22.3	0.20

38' x 38' x 10' Room, Workplane 2.5' above floor, 80/50/20% Reflectances

Efficacy: 103.8 lm/w
 Report#: T20161390

Adjustment factors

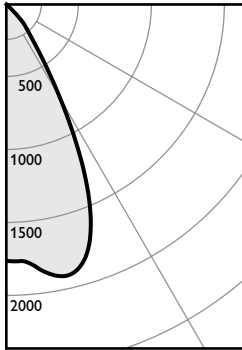
Finish	CCT	Lumens
CL = 100%	80CRI 4000K = 107%	3000lm = 200%
CC = 95%	80CRI 3500K = 100%	2500lm = 167%
CD = 87%	80CRI 3000K = 99%	2000lm = 133%
CZ = 63%	80CRI 2700K = 93%	1500lm = 100%
WH = 87%	90CRI 3000K = 87%	1000lm = 67%
BK = 57%	90CRI 2700K = 81%	500lm = 33%

Coefficients of utilization

Ceiling	80%				70%		50%		30%		0%	
	70	50	30	10	50	10	50	10	0			
Wall	70	50	30	10	50	10	50	10	0			
RCR	Zonal cavity method - Effective floor reflectance = 20%											
Room Cavity Ratio	0	119	119	119	119	116	116	111	111	106	106	100
1	114	112	110	108	110	106	106	103	102	100	95	
2	110	106	102	99	104	98	101	96	98	94	91	
3	105	100	96	92	99	92	96	90	94	89	86	
4	101	95	90	87	94	86	92	85	90	84	82	
5	97	90	85	82	89	81	88	81	86	80	78	
6	93	86	81	77	85	77	84	77	83	76	74	
7	90	82	77	74	81	73	80	73	79	73	71	
8	86	79	74	70	78	70	77	70	76	69	68	
9	83	75	70	67	75	67	74	67	73	66	65	
10	80	72	67	64	72	64	71	64	70	64	62	

Medium beam, 1500lm Engine, 114.6 lm/W

Candela Curve



Frame: 4RN
 Engine: C4L15835MZ10U
 Trim: C4RDLCL

Output lumens: 1627 lms
 Input watts: 14.2 W
 CRI: 80 min
 CCT¹: 3500K
 Spacing Crit.: 0.9
 Beam Angle: 56°

Zonal summary

Zone	Lumens	%Luminaire
0-30	1269	78.0%
0-40	1537	94.5%
0-60	1627	100.0%
0-90	1627	100.0%

Angle	Mean CP	Lumens
0	1760	
5	1783	174
10	1886	
15	1887	524
20	1702	
25	1283	572
30	762	
35	406	268
40	236	
45	116	89
50	14	
55	0	1
60	0	
65	0	0
70	0	
75	0	0
80	0	
85	0	0
90	0	

Single unit data

Height to lighted plane	Initial center beam foot-candles	Beam diameter (ft)*
5'	70	4.5'
6'	49	5.4'
7'	36	6.3'
8'	28	7.2'
9'	22	8.1'

* Beam diameter is where foot-candles drop to 50% of maximum.

Multiple unit data - RCR 2

Spacing on center	Initial center beam foot-candles	Watts per sq. ft.
5'	74.8	0.63
6'	49.1	0.41
7'	35.0	0.30
8'	29.2	0.25
9'	23.4	0.20

38' x 38' x 10' Room, Workplane 2.5' above floor, 80/50/20% Reflectances

Efficacy: 114.6 lm/w
 Report#: T20161397

Adjustment factors

Finish	CCT	Lumens
CL = 100%	80CRI 4000K = 102%	3000lm = 200%
CC = 95%	80CRI 3500K = 100%	2500lm = 167%
CD = 87%	80CRI 3000K = 97%	2000lm = 133%
CZ = 63%	80CRI 2700K = 87%	1500lm = 100%
WH = 87%	90CRI 3000K = 77%	1000lm = 67%
BK = 57%	90CRI 2700K = 73%	500lm = 33%

Coefficients of utilization

Ceiling	80%				70%		50%		30%		0%
	70	50	30	10	50	10	50	10	0		
Wall	70	50	30	10	50	10	50	10	0		
RCR	Zonal cavity method - Effective floor reflectance = 20%										
Room Cavity Ratio	0	119	119	119	116	116	111	111	106	106	100
1	114	111	109	107	109	105	105	102	101	99	94
2	108	104	100	97	102	96	99	94	96	92	88
3	103	97	93	89	96	88	93	87	91	85	82
4	98	91	86	82	90	81	88	81	86	80	77
5	94	86	80	76	85	76	83	75	81	74	72
6	89	81	75	71	80	71	79	70	77	70	68
7	85	76	70	66	76	66	74	66	73	66	64
8	81	72	66	62	71	62	70	62	69	62	60
9	77	68	63	59	68	59	67	58	66	58	57
10	74	65	59	55	64	55	63	55	63	55	54

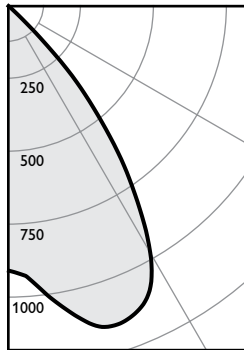
1. Correlated Color Temperature within specs as defined in ANSI_NEMA_ANSI C78.377-2008: Specifications for the Chromaticity of Solid State Lighting Products.
 2. Tested using absolute photometry as specified in LM79: IESNA Approved Method for the Electrical and Photometric Measurements of Solid-State Lighting Products.

C4RA Calculite LED 4" gen 3

Round Airseal IC frame

Wide beam, 1500lm Engine, 106.6 lm/W

Candela Curve



Frame: 4RN
 Engine: C4L15835WZ10U
 Trim: C4RDLCL

Output lumens: 1517 lms
 Input watts: 14.2 W
 CRI: 80 min
 CCT¹: 3500K
 Spacing Crit.: 1.2
 Beam Angle: 76°

Zonal summary

Zone	Lumens	%Luminaire
0-30	918	60.5%
0-40	1368	90.2%
0-60	1517	100.0%
0-90	1517	100.0%

Angle	Mean CP	Lumens
0	906	
5	945	93
10	1040	
15	1128	318
20	1153	
25	1114	506
30	978	
35	732	450
40	460	
45	175	148
50	18	
55	0	2
60	0	
65	0	0
70	0	
75	0	0
80	0	
85	0	0
90	0	

Single unit data

Height to lighted plane	Initial center beam foot-candles	Beam diameter (ft)*
5'	36	6.0'
6'	25	7.2'
7'	18	8.4'
8'	14	9.6'
9'	11	10.8'

* Beam diameter is where foot-candles drop to 50% of maximum.

Multiple unit data - RCR 2

Spacing on center	Initial center beam foot-candles	Watts per sq. ft.
5'	68.5	0.63
6'	45.0	0.41
7'	32.1	0.30
8'	26.8	0.25
9'	21.4	0.20

38' x 38' x 10' Room, Workplane 2.5' above floor, 80/50/20% Reflectances

Efficacy: 106.6 lm/w
 Report#: T20161406

Adjustment factors

Finish	CCT	Lumens
CL = 100%	80CRI 4000K = 102%	3000lm = 200%
CC = 95%	80CRI 3500K = 100%	2500lm = 167%
CD = 87%	80CRI 3000K = 97%	2000lm = 133%
CZ = 63%	80CRI 2700K = 87%	1500lm = 100%
WH = 87%	90CRI 3000K = 77%	1000lm = 67%
BK = 57%	90CRI 2700K = 73%	500lm = 33%

Coefficients of utilization

Ceiling	80%				70%		50%		30%		0%	
	70	50	30	10	50	10	50	10	50	10	0	
Wall	Zonal cavity method - Effective floor reflectance = 20%											
RCR	Zonal cavity method - Effective floor reflectance = 20%											
Room Cavity Ratio	0	119	119	119	119	116	116	111	111	106	106	100
	1	113	110	108	105	108	104	104	100	100	97	93
	2	107	102	98	94	100	93	97	91	94	89	86
	3	101	94	89	85	93	84	90	83	88	81	79
	4	96	87	82	77	86	77	84	76	82	75	72
	5	90	81	75	70	80	70	78	69	77	69	66
	6	85	75	69	64	75	64	73	64	72	63	61
	7	80	70	64	59	69	59	68	59	67	58	56
	8	76	65	59	55	65	54	64	54	63	54	52
	9	72	61	55	50	61	50	60	50	59	50	48
	10	68	57	51	47	57	47	56	47	55	46	45

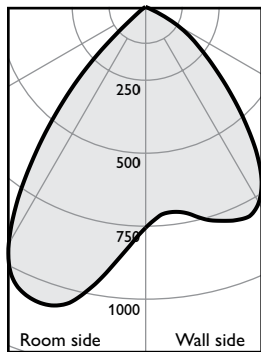
1. Correlated Color Temperature within specs as defined in ANSI_NEMA_ANSLG C78.377-2008: Specifications for the Chromaticity of Solid State Lighting Products.
 2. Tested using absolute photometry as specified in LM79: IESNA Approved Method for the Electrical and Photometric Measurements of Solid-State Lighting Products.

C4RA Calculite LED 4" gen 3

Round AirsSeal IC frame

Wall Wash, 1500lm Engine, 102.8 lm/W

Candela Curve



Frame: 4RN
Engine: C4L15835WZ10U
Trim: C4RWCL

Output lumens: 1465 lms
Input watts: 14.3 W
CRI: 80 min
CCT¹: 3500K

Efficacy: 102.8 lm/w
Report²: T20161408

Multiple unit data

Footcandles on wall

Distance from ceiling in feet	2' from wall		
	3' on ctr.		
1	3	2	3
2	38	21	38
3	37	36	37
4	30	32	30
5	23	25	23
6	19	19	19
7	15	15	15
8	13	13	13
9	11	11	11
10	10	10	10
12	8	8	8
14	7	7	7

Multiple unit data

Footcandles on wall

Distance from ceiling in feet	3' from wall		
	3' on ctr.		
1	2	2	2
2	2	2	2
3	21	19	21
4	24	25	24
5	24	25	24
6	21	22	21
7	18	19	18
8	16	16	16
9	14	14	14
10	12	12	12
12	10	10	10
14	9	8	9

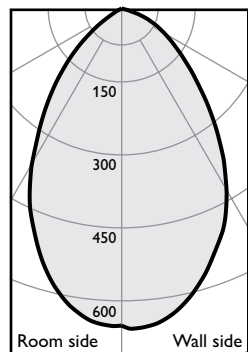
Multiple unit data

Footcandles on wall

Distance from ceiling in feet	3' from wall		
	4' on ctr.		
1	2	2	2
2	2	2	2
3	18	16	18
4	20	19	20
5	18	19	18
6	16	17	16
7	14	15	14
8	12	12	12
9	11	11	11
10	9	10	9
12	8	8	8
14	7	7	7

Lensed Wall Wash, 1500lm Engine, 71.1 lm/W

Candela Curve



Frame: 4RN
Engine: C4L15835WZ10U
Trim: C4RLWCL

Output lumens: 1012 lms
Input watts: 14.2 W
CRI: 80 min
CCT¹: 3500K

Efficacy: 71.1 lm/w
Report²: T20161407

Multiple unit data

Footcandles on wall

Distance from ceiling in feet	2' from wall		
	3' on ctr.		
1	5	2	5
2	29	26	29
3	26	27	26
4	22	22	22
5	17	17	17
6	13	13	13
7	11	11	11
8	9	9	9
9	7	8	7
10	7	6	7
12	5	5	5
14	5	5	5

Multiple unit data

Footcandles on wall

Distance from ceiling in feet	3' from wall		
	3' on ctr.		
1	2	2	2
2	10	15	10
3	18	20	18
4	19	19	19
5	17	18	17
6	15	15	15
7	13	13	13
8	11	11	11
9	9	9	9
10	8	8	8
12	7	7	7
14	6	6	6

Multiple unit data

Footcandles on wall

Distance from ceiling in feet	3' from wall		
	4' on ctr.		
1	2	1	2
2	9	12	9
3	15	14	15
4	14	15	14
5	13	13	13
6	11	12	11
7	10	10	10
8	9	9	9
9	7	7	7
10	6	6	6
12	5	5	5
14	5	5	5

Adjustment factors

Finish	CCT	Lumens
CL = 100%	80CRI 4000K = 102%	3000lm = 200%
CC = 95%	80CRI 3500K = 100%	2500lm = 167%
CD = 87%	80CRI 3000K = 97%	2000lm = 133%
CZ = 63%	80CRI 2700K = 87%	1500lm = 100%
WH = 87%	90CRI 3000K = 77%	1000lm = 67%
BK = 57%	90CRI 2700K = 73%	500lm = 33%

1. Correlated Color Temperature within specs as defined in ANSI_NEMA_ANSI C78.377-2008: Specifications for the Chromaticity of Solid State Lighting Products.
2. Tested using absolute photometry as specified in LM79: IESNA Approved Method for the Electrical and Photometric Measurements of Solid-State Lighting Products.

