



Calculite LED 2" Cylinders feature industry leading visual comfort, excellent uniform illumination over time, and installation flexibility. Downlight, Wall Wash, Adjustable Accent and Direct/Indirect configurations provide flexibility to accentuate ambiance for office, retail, and hospitality applications.

Project: _____
 Location: _____
 Cat.No: _____
 Type: _____
 Qty: _____
 Notes: _____

Ordering check list (x=needed for complete luminaire configuration)

Catalog Prefix	Mounting	Style	Fixture+	Reflector+	Optics+	Accessories
C2CPC(S/M/L)DL	Pendant Cable	Downlight	X	X		
C2CPSA	Pendant Stem	Adj Accent	X		X	X
C2CSA	Surface	Adj Accent	X		X	
C2CPSDL	Pendant Stem	Downlight	X	X		X
C2CPSWW	Pendant Stem	Wall Wash	X			X
C2CSDL	Surface	Downlight	X	X		
C2CWDL	Wall	Downlight	X	X		
C2CSWW	Surface	Wall Wash	X			
C2CWWW	Wall	Wall Wash	X			
C2CWUDW	Wall	Up/Down Wall Wash	X			
C2CWUD	Wall	Up/Down	X	X (2 needed)		

Fixture

example: C2CPSA10940Z10UA

Series	Mounting	Style	Lumens	CRI/CCT	Dimming/Voltage	Finish
C2C						
C2C Calculite 2" Cylinder	PCS Pendant w/Cable 6' power/cord PCM Pendant w/Cable 12' power/cord PCL Pendant w/Cable 20' power/cord	DL Downlight ²	08 780lm	9D2W 90CRI/3000K-1800K	Z10U 0-10V 1% / Unv (120/277V) ELV1 ELV (120V) / Unv (120/277V) LO1U Lutron PEQ EcoSystem 0.1% / Unv (120/277V)	A Aluminum ⁴ B Black (matte) ⁴ W White (matte) ⁴ RAL RAL Color ^{4,5}
			07 700lm	927 90CRI/2700K		
			10 1000lm	930 90CRI/3000K 935 90CRI/3500K 940 90CRI/4000K		
	PS Pendant w/Stem ¹ S Surface	A Adjustable Accent (needs to be ordered with Optics)	07 700lm	927 90CRI/2700K	Z10U 0-10V 1% / Unv (120/277V) ELV1 ELV (120V) / Unv (120/277V) LO1U Lutron PEQ EcoSystem 0.1% / Unv (120/277V)	A Aluminum B Black (matte) W White (matte) RAL RAL Color ⁵
			10 1000lm	930 90CRI/3000K 935 90CRI/3500K 940 90CRI/4000K		
	PS Pendant w/Stem ¹ S Surface W Wall	DL Downlight ² WW Wall Wash	08 780lm	9D2W 90CRI/3000K-1800K	Z10U 0-10V 1% / Unv (120/277V) ELV1 ELV (120V) / Unv (120/277V) LO1U Lutron PEQ EcoSystem 0.1% / Unv (120/277V)	A Aluminum B Black (matte) W White (matte) RAL RAL Color ⁵
07 700lm			927 90CRI/2700K			
10 1000lm			930 90CRI/3000K 935 90CRI/3500K 940 90CRI/4000K			
W Wall	UDW Up/Down Wall Wash ⁵ (lumens shown divided equally up and down)	07 700lm	927 90CRI/2700K	Z10U 0-10V 1% / Unv (120/277V) ELV1 ELV (120V) / Unv (120/277V) LO1U Lutron PEQ EcoSystem 0.1% / Unv (120/277V)	A Aluminum B Black (matte) W White (matte) RAL RAL Color ⁵	
		10 1000lm	930 90CRI/3000K			
		08 800lm	927 90CRI/2700K			
		15 1500lm	930 90CRI/3000K			
W Wall	UD Direct/ Indirect ^{2,3} (lumens shown divided equally up and down)	10 1000lm	935 90CRI/3500K	L01U Lutron PEQ EcoSystem 0.1% / Unv (120/277V)	A Aluminum B Black (matte) W White (matte) RAL RAL Color ⁵	
		20 2000lm	940 90CRI/4000K			
		07 700lm	927 90CRI/2700K			
		12 1200lm	930 90CRI/3000K			
W Wall	UD Direct/ Indirect ^{2,3} (lumens shown divided equally up and down)	08 750lm	935 90CRI/3500K	L01U Lutron PEQ EcoSystem 0.1% / Unv (120/277V)	A Aluminum B Black (matte) W White (matte) RAL RAL Color ⁵	
		15 1500lm	940 90CRI/4000K			

1. Pendant Stem (PS) mountings need to be ordered with a suspended stem kit accessory for pendants.
 2. Downlight (DL) styles need to be ordered with one Reflector.
 Wall Mount Direct/Indirect (WUD) styles need to be ordered with two Reflectors.
 3. Nominal lumens shown is total luminaire, equal up and down. Both up and down are controlled on one circuit.
 4. PCS/PCM/PCL mounting includes cable with matching finish to cylinder. RAL finish will be with a black cable.
 5. RAL standard colors can be specified upon request. Add RAL standard code to (RALxxxx).



C2C Calculite 2" Cylinder (round)

Pendant, surface and wall mount luminaires

Downlight Reflector (for downlight and up/downlight)

Series	Beam	Finish
C2CR		
C2CR Calculite 2" Cylinder	W Wide (62°)	CL Clear CC Comfort Clear CD Comfort Clear Diffuse CZ Champagne Bronze WH White (matte) BK Black (anodized) BT Black Textured (painted) WT White Textured (painted)

Adjustable Accent Optics

(for C2CPSA & C2CSA accents)

Series	Beam
C2CO	
C2CO Calculite 2" Cylinder	SP Spot (23°) NFL Narrow Flood (35°) FL Flood (40°)

Suspended Stem Kit Accessories (for C2CPS pendant)

Series	Length	Finish
<input type="text"/>		
CA Calculite Accessory w/Round Canopy Stem Kit	36 36 inches	AL Aluminum
CASQ Calculite Accessory w/Square Canopy Stem Kit	48 48 inches	BK Black (matte)
	60 60 inches	WH White (matte)
	72 72 inches	RAL RAL Color ¹ (standard code)

Accessories (for all configurations)

Series	Finish
<input type="text"/>	
CAXTC Calculite Round Conduit Feed Through Canopy Extender	AL Aluminum
CASQXTC Calculite Square Conduit Feed Through Canopy Extender	BK Black (matte)
	WH White (matte)
	RAL RAL Color ¹ (standard code)

1. RAL standard colors can also be specified upon request. Add RAL standard code to (RALxxxx).

Housing

Cylinder:

Extruded aluminum

Canopy:

Installation onto a 3" or 4"x1.5" octagonal junction box.

Surface mounting (C2CS):

Mounts directly to junction box.

Pendant cable mounting (C2CPC):

Canopy and field adjustable power cable included.

Cylinder provided complete with canopy kit and 5-wire conductor cable. Cable finish matches that of cylinder for A, B, W finishes, and is black for RAL cylinder finish.

Pendant stem mounting (C2CPS):

Order with CASK or CASQSK stem accessory.

Pendant power cable:

color to match cylinder finish (A, B, W). Black (BK) cable color for RAL finishes unless otherwise specified by customer.

Wall mounting (C2CW):

Pre-attached hardware allows for simple installation into wall mounted junction box.

Drivers

Z10U: 0-10V 1% / Universal (120/277V)

ELV1: Electronic low voltage (120V ELV dimming) / Universal (120/277V)

L01U: Lutron PEQ EcoSystem (Dim to 0.1%) / Universal (120/277V), Lutron Hi-lume Premier 0.1% EcoSystem Small Form Factor LED Driver with Soft-On, Fade to Black Dimming Technology

Optical systems

Downlight & Direct/Indirect:

True 50° physical cutoff and 45° reflected cutoff.

Wall Wash:

Polycarbonate TIR lens provides uniform distribution on the wall with minimal gap between luminaire and wall.

Quality of light:

2 SDCM ensures color consistency from fixture to fixture and over the luminaire's long lifetime. Proprietary optical grade silicone lens with patterned surface provides soft, even beam diffusion without hotspots or dark rings.

Lumen packages

Lumen Maintenance: Predicted 70% lumen maintenance at 64,000 hrs.

Direct/Indirect: Can be ordered with different up and down lumen outputs through Special Order Process.

Wall mount nominal lumens are total for luminaire divided up and down, and controlled on one circuit.

Canopy Extender Accessories

Round (CAXTC) and square (CASQXTC) canopy extenders are available to accommodate direct conduit feed. Covers conduit connector (by others) for finished look. Specify finish per ordering matrix above. Use with standard 3" or 4"x1.5" octagonal junction box (by others). Canopy extenders may be used with all mounting types, and cable or stem suspended. See page 8 for dimensions and illustrations.

Pendant accessories

Stem mounting kit accessory: Steel stem, 0.375" diameter (1/8" National Pipe Thread. 5-wire conductor cable runs alongside of stem for power and dimming. Magnetic attachment of canopy to junction box provides clean look free of hardware. Self-aligning swivel mounting system ensures cylinder hangs straight down. Stem can be cut in field for length adjustment (1/8" drill bit required for through hole).

Energy Star exceptions

- For Downlights (DL), only Clear (CL) and Comfort Clear (CC) finishes are ENERGY STAR® certified.
- Wall mount up/down (WUD, WUDW) models are not certified.
- Lutron driver options are not ENERGY STAR® certified.

Labels and Listings

- cULus listed for damp locations
- ENERGY STAR® certified
- RoHS certified

Warranty



5 year limited warranty
Visit [Signify.com/warranties](https://www.signify.com/warranties) for more information on Signify's standard 5-year limited warranty on complete luminaire systems.

C2C Calculite 2" Cylinder (round)

Pendant, surface and wall mount luminaires

Electrical

Series	Dimming	Lumens	Voltage	Amps	Wattage
C2CPC_DL C2CPSDL C2CSDL C2CWDL C2CPSWW C2CSWW C2CWWW	ELV	600lm	120V	0.07	9
		1000lm		0.12	14
		600lm	277V	0.04	9
		1000lm		0.07	14
	0-10V	600lm	120V	0.07	10
		1000lm		0.13	15.5
		600lm	277V	0.05	10
		1000lm		0.08	15.5
	Lutron	600lm	120V	0.08	10
		1000lm		0.13	16
		600lm	277V	0.06	10
		1000lm		0.08	16
C2CPC_DL_9D2W C2CPSDL_9D2W C2CSDL_9D2W C2CWDL_9D2W	ELV	800lm	120V	0.11	14
			277V	0.07	14
	0-10V	800lm	120V	0.12	15
			277V	0.08	15
	Lutron	800lm	120V	0.13	16
			277V	0.08	16
C2CWUD	ELV	800lm	120V	0.17	21
			277V	0.09	21
	0-10V	800lm	120V	0.16	22
			277V	0.1	22
	Lutron	600lm	120V	0.15	19
			277V	0.09	19
C2CWUDW	ELV	600lm	120V	0.1	13
			277V	0.05	13
		1000lm	120V	0.17	21
			277V	0.09	21
	0-10V	600lm	120V	0.12	14
			277V	0.06	14
		1000lm	120V	0.09	22
			277V	0.1	22
	Lutron	800lm	120V	0.14	17
			277V	0.09	17

Series	Dimming	Lumens	Voltage	Amps	Wattage
C2CPSA C2CSA	ELV	600lm	120V	0.07	9
			277V	0.04	9
		1000lm	120V	0.11	14
			277V	0.07	14
	0-10V	600lm	120V	0.08	10
			277V	0.05	10
		1000lm	120V	0.12	15
			277V	0.08	15
	Lutron	600lm	120V	0.08	10
			277V	0.04	10
1000lm		120V	0.13	16	
		277V	0.08	16	

ELV

Input	Brand	Dimming Type	Model No.	Minimum dimming
120V	Lutron	Trailing edge	DVELV-303P	2%
			NTELV-600	2%
			MAELV-600	2%
			SELV-300P	2%
		Leading edge	DV-600P	2%
			DVLV-600P	2%
			NFTU-5A	2%
			CTCL-153P	2%
			GL-600H	2%
			S-600P	2%
	S-600P	2%		
	Leviton	-	IPE04	2%
	Philips	-	CP400RPC120	2%

Lutron

Input	Brand	Model No.	Minimum dimming
120V	Lutron	QSN-1ECO-S	L01U (0.1%) L1U (1%)
		QSN-2ECO-S	
		QSGRJ-_E (wireless)	
		QSGR-_E (wireless)	
		QP2-_ _ 2C	
		QP2-_ _ 4C	
		QP2-_ _ 6C	
		QP2-_ _ 8C	
		LQSE-2ECO-D	
		120/277V	Lutron
FCJ/FCJS-ECO1			

0-10V

Input	Brand	Model No.	Minimum dimming
120/277V	Lutron	SR1200ZTUNV	1%
	Leviton	IP7 series	1%
	Philips	SR1200ZTUNV	1%

C2C Calculite 2" Cylinder (round)

Pendant, surface and wall mount luminaires

Reflector Finishes



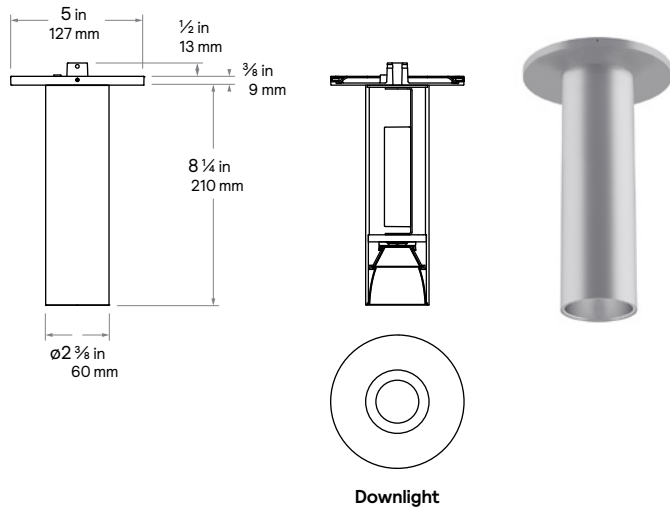
1. **Specular clear (CL):** Most specular and most efficient finish, delivers maximum photometric performance but can produce a mirror image effect of the interior space.
2. **Comfort clear (CC):** Semi-specular finish that softens the light at the source of the reflector and creates a subtle, even luminance from the reflector cone.
3. **Comfort clear diffuse (CD):** Slightly diffuse clear finish, that eliminates iridescence and reduces the mirror image effect inherent with specular finishes.

4. **White (WH):** Brightest illuminated aperture (matte white) and provides the smoothest transition to most ceilings when off.
5. **Black (BK):** Specular finish (anodized) that provides the lowest aperture brightness possible and significantly reduces source identification in a ceiling.
6. **Champagne bronze (CZ):** Semi-specular finish that softens light at the source of the reflector while providing a warmer reflector appearance (slightly warmer).

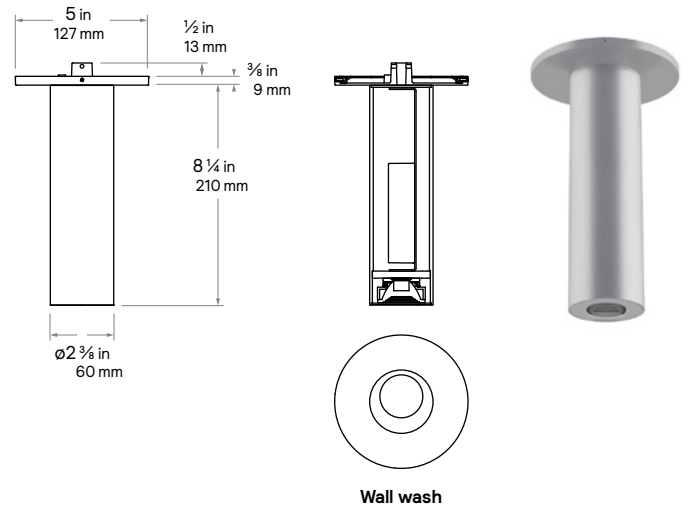
C2C Calculite 2" Cylinder (round)

Pendant, surface and wall mount luminaires

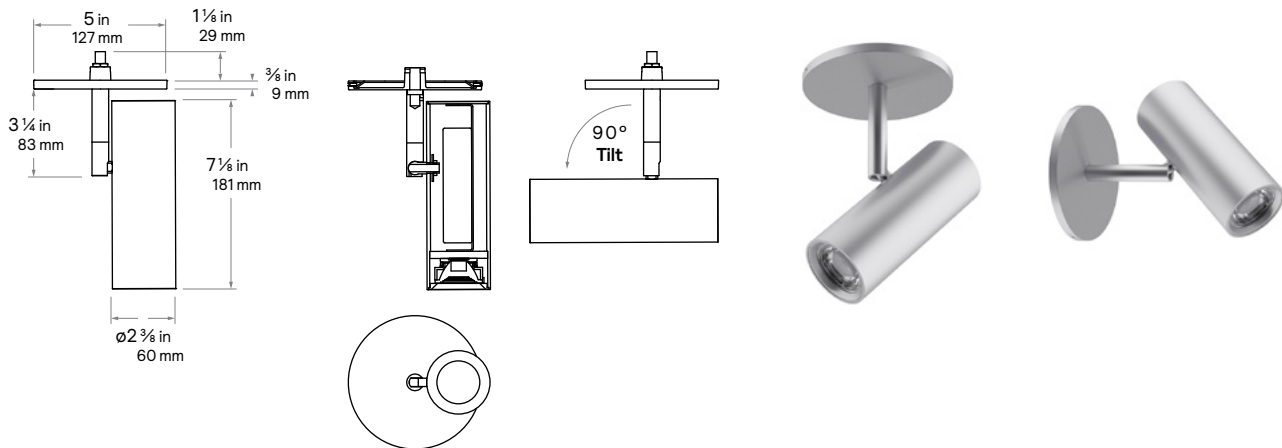
Downlight Surface Mount



Wall Wash Surface Mount



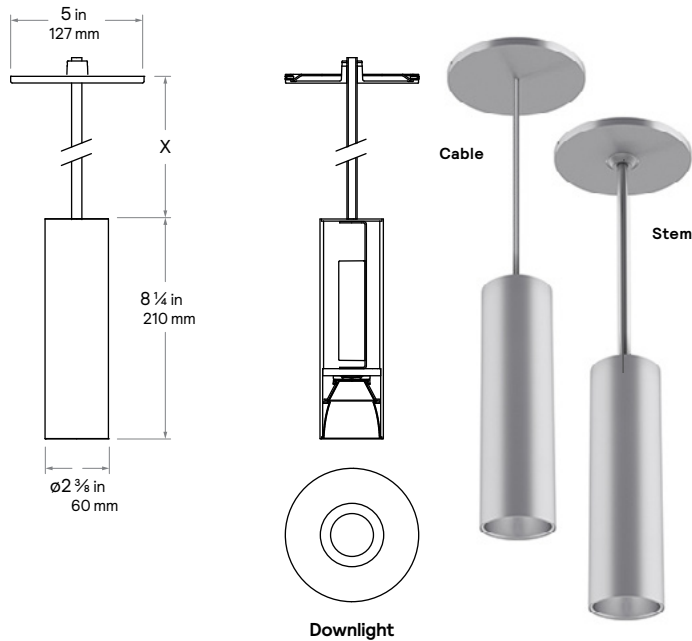
Adjustable Accent Surface Mount (Ceiling or wall)



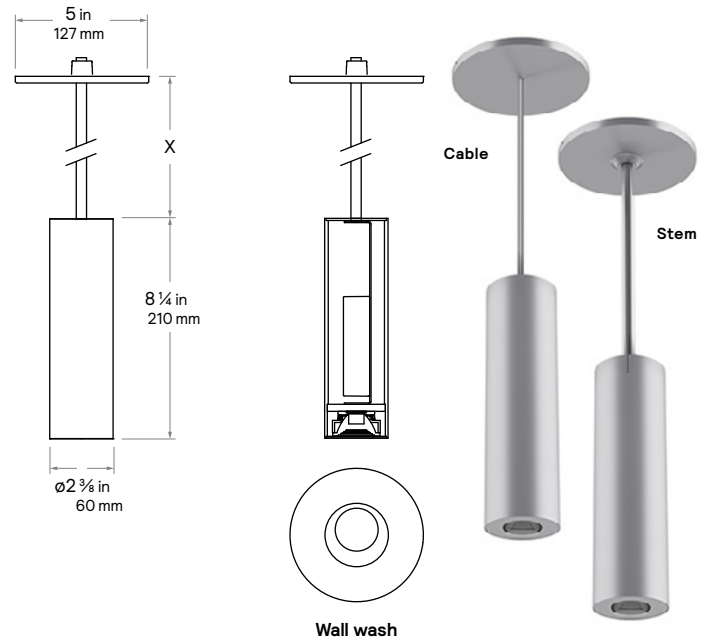
C2C Calculite 2" Cylinder (round)

Pendant, surface and wall mount luminaires

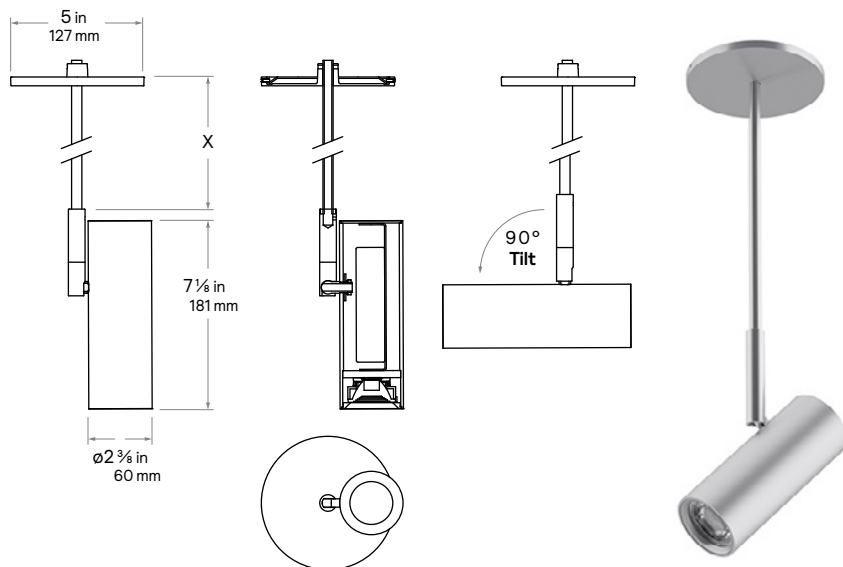
Downlight Pendant Mount (with cable or stem)



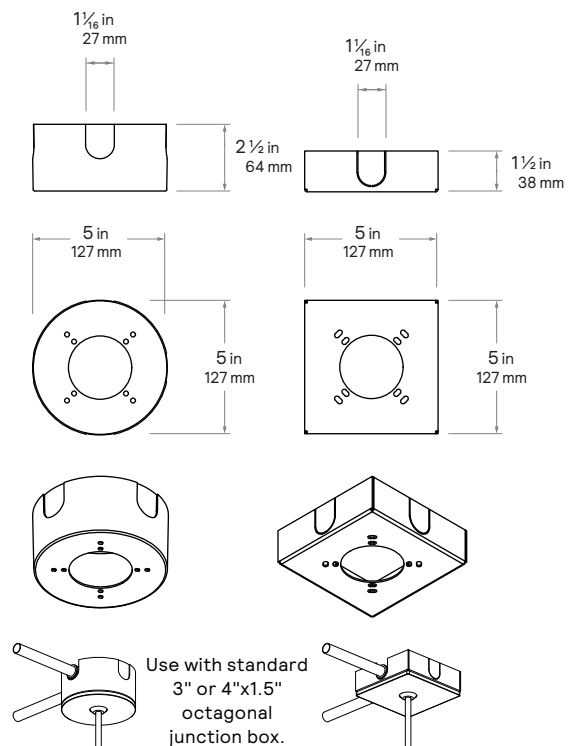
Wall Wash Pendant Mount (with cable or stem)



Adjustable Accent Pendant Mount



Canopy Extender

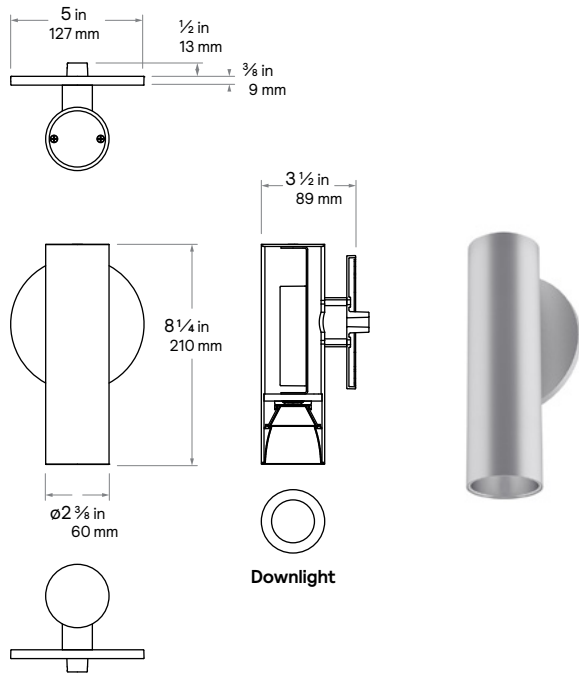


Pre-fabricated knock outs accommodate straight through or 90deg conduit direction. Standard cable and pendant canopies attach directly to the extender box as illustrated above.

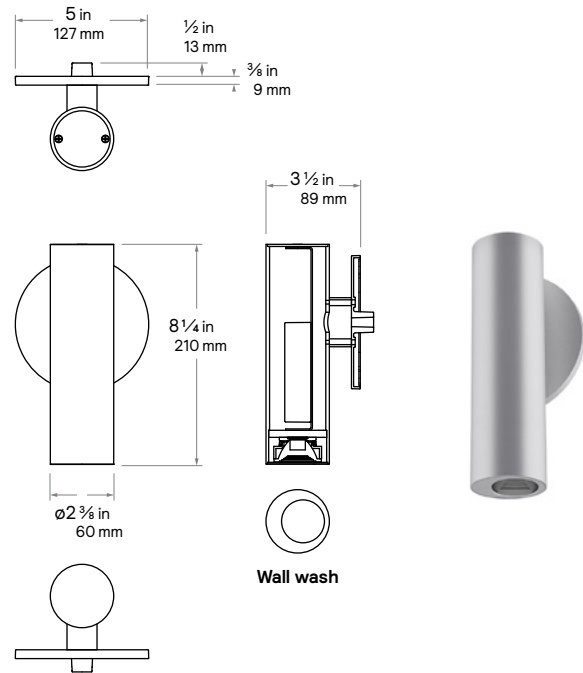
C2C Calculite 2" Cylinder (round)

Pendant, surface and wall mount luminaires

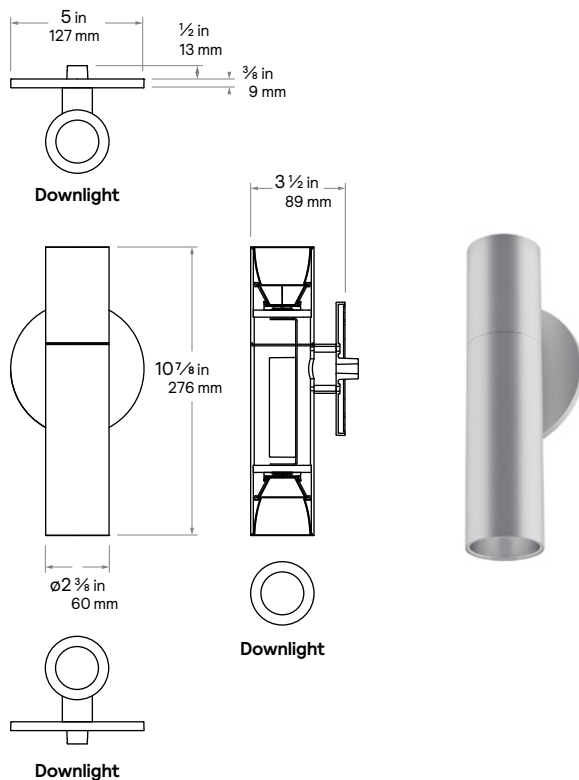
Downlight Wall Mount



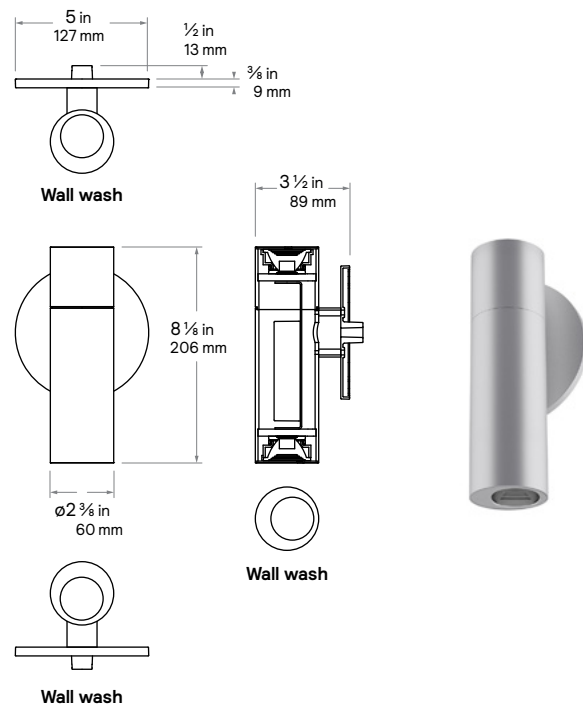
Wall Wash Wall Mount



Up/Downlight Wall Mount



Up/Down Wall Wash Wall Mount

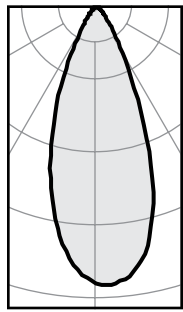


C2C Calculite 2" Cylinder (round)

Pendant, surface and wall mount luminaires

Downlight, 1000lm engine, 76.0 lm/W at 13W

Candela Curve



Fixture: **C2CSDL10935ELV1B**
Reflector: **C2CRWCL**

Output lumens: 988 lms
Input watts: 13 W*
CRI: 90 min
CCT¹: 3500K
Spacing Crit.: 0.76
*Wattage controlled to within 5%.

Zonal summary

Zone	Lumens	%Luminaire
0-30	561	56.8%
0-40	772	78.1%
0-60	984	99.6%
0-90	988	100.0%

Angle	MeanCP	Lumens
0	1106	
5	1091	
10	1006	99
15	864	
20	684	230
25	519	
30	405	232
35	344	
40	302	210
45	260	
50	145	179
55	19	
60	3	33
65	2	
70	1	2
75	0	
80	0	1
85	0	
90	0	

Single unit data

Height to lighted plane	Initial center beam foot-candles	Beam diameter (ft)*
5'	44	3.8'
6'	31	4.6'
7'	23	5.3'
8'	17	6.1'
9'	14	6.8'

* Beam diameter is where foot-candles drop to 50% of maximum.

Multiple unit data - RCR 2

Spacing on center	Initial center beam foot-candles	Watts per sq. ft.
5'	44.0	0.58
6'	29.0	0.38
7'	21.0	0.27
8'	17.0	0.23
9'	14.0	0.18

38' x 38' x 10' Room, Workplane 2.5' above floor, 80/50/20% Reflectances

Efficacy: **76.0lm/w**
Report²: LRQB2261-21

Adjustment Factors

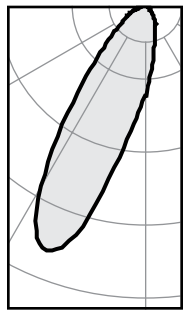
Finish	CR1/CCT
CL = 100%	WT = 85%
CC = 97%	WH = 82%
CD = 86%	BK = 50%
CZ = 64%	BT = 46%
	90CRI 4000K = 104%
	90CRI 3500K = 100%
	90CRI 3000K = 96%
	90CRI 2700K = 90%

Coefficients of utilization

Ceiling	80%				70%				50%				30%				0%
	70	50	30	10	50	10	50	10	50	10	50	10	50	10	50	10	0
RCR	Zonal cavity method - Effective floor reflectance = 20%																
Room Cavity Ratio	0	119	119	119	119	116	116	111	111	106	106	100	100	106	106	100	
	1	113	110	107	105	108	103	104	100	100	97	92	100	97	92		
	2	107	101	97	93	100	92	96	90	93	88	85	93	88	85		
	3	101	94	88	84	92	83	89	82	87	80	77	87	80	77		
	4	95	86	80	76	85	75	83	74	81	73	71	81	73	71		
	5	89	80	74	69	79	69	77	68	76	67	65	76	67	65		
	6	84	74	68	63	74	63	72	63	71	62	60	71	62	60		
	7	80	69	63	58	69	58	67	58	66	57	56	66	57	56		
	8	75	65	58	54	64	54	63	54	62	53	52	62	53	52		
	9	71	61	54	50	60	50	59	50	58	50	48	58	50	48		
	10	68	57	51	47	57	47	56	47	55	46	45	55	46	45		

Wall Wash, 1000lm engine, 85.2 lm/W at 13W

Candela Curve



Fixture: **C2CSWW10935**

Output lumens: 1107 lms
Input watts: 13 W*
CRI: 90 min
CCT¹: 3500K
Candela: 1802
*Wattage controlled to within 5%.

Multiple unit data

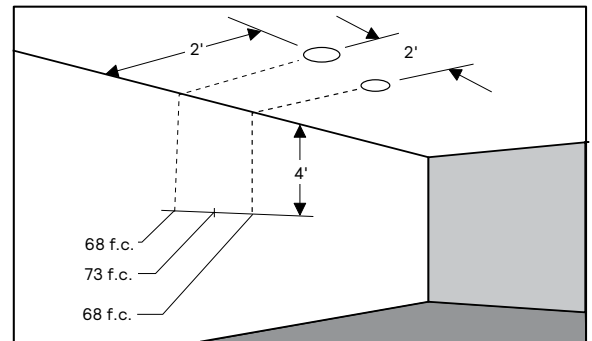
Footcandles on wall

Distance from ceiling in feet	2' from wall		
	2' on ctr.		
1	28	26	28
2	55	53	55
3	74	77	74
4	68	73	68
5	49	53	49
6	34	36	34
7	23	24	23
8	16	17	16
9	11	12	11
10	9	10	9
11	7	8	7
12	5	6	6

Multiple unit data

Footcandles on wall

Distance from ceiling in feet	2' from wall		
	3' on ctr.		
1	19	16	19
2	40	35	40
3	51	47	51
4	49	47	49
5	37	37	37
6	26	26	26
7	18	19	18
8	13	13	13
9	10	10	10
10	7	7	7
11	6	6	6
12	5	5	5



Efficacy: **85.2 lm/w**
Report²: LRQB2261-28B

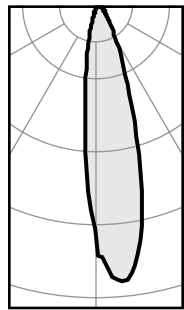
1. Correlated Color Temperature within specs as defined in ANSI_NEMA_ANSI C78.377-2008: Specifications for the Chromaticity of Solid State Lighting Products.
2. Tested using absolute photometry as specified in LM79: IESNA Approved Method for the Electrical and Photometric Measurements of Solid-State Lighting Products.

C2C Calculite 2" Cylinder (round)

Pendant, surface and wall mount luminaires

Downlight (Wall Mount), 1000lm engine, 95.7 lm/W at 13W

Candela Curve



Zonal summary

Zone	Lumens	%Luminaire
0-30	1043	83.8%
0-40	1147	92.2%
0-60	1224	98.4%
0-90	1244	100.0%

Angle	MeanCP	Lumens
0	4675	
5	5176	
10	4468	350
15	2877	
20	1588	460
25	887	
30	494	233
35	295	
40	200	104
45	145	
50	105	51
55	75	
60	51	26
65	34	
70	20	12
75	9	
80	3	4
85	1	
90	0	

Fixture: C2CWW10935ELV1B

Output lumens: 1244 lms
 Input watts: 13 W*
 CRI: 90 min
 CCT¹: 3500K

*Wattage controlled to within 5%.

Coefficients of utilization

Ceiling	80%				70%		50%		30%		0%
	70	50	30	10	50	10	50	10	50	10	0
Wall	70	50	30	10	50	10	50	10	50	10	0
RCR	Zonal cavity method - Effective floor reflectance = 20%										
Room Cavity Ratio	0	119	119	119	116	116	111	111	106	106	100
1	112	109	106	103	107	102	103	98	99	95	91
2	105	99	94	90	97	89	94	87	91	85	81
3	98	90	84	79	88	78	86	77	83	76	72
4	91	82	75	69	80	69	78	68	76	67	65
5	85	74	67	62	73	61	71	61	70	60	58
6	79	68	61	55	67	55	65	55	64	54	52
7	74	62	55	50	62	50	60	49	59	49	47
8	69	57	50	45	57	45	56	45	54	44	42
9	65	53	46	41	52	41	51	41	50	40	39
10	61	49	42	37	49	37	48	37	47	37	35

Efficacy: 95.7lm/w
 Report#: LRQB2261-29

1. Correlated Color Temperature within specs as defined in ANSI_NEMA_ANSI C78.377-2008: Specifications for the Chromaticity of Solid State Lighting Products.
 2. Tested using absolute photometry as specified in LM79: IESNA Approved Method for the Electrical and Photometric Measurements of Solid-State Lighting Products.

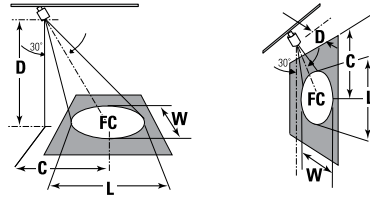
C2C Calculite 2" Cylinder (round)

Pendant, surface and wall mount luminaires

Aiming angles

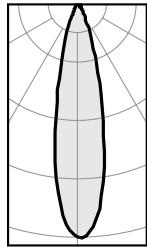
L and W are the outer points where the candle power drops to 50% of the maximum. FC are the initial footcandles at the center of the beam. Data shown is for 3000K, use the table on the right for CRI/CCT adjustment factors.

FC Footcandles
L Beam length
W Beam Width
D Distance
A Aiming Angle
C Distance to center beam
CBCP Center Beam Candlepower



Adjustment Factors

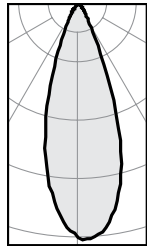
Finish		CRI/CCT
CL = 100%	WT = 85%	90CRI 4000K = 104%
CC = 97%	WH = 82%	90CRI 3500K = 100%
CD = 86%	BK = 50%	90CRI 3000K = 96%
CZ = 64%	BT = 46%	90CRI 2700K = 90%



Fixture: **C2CSA10935**
 Reflector: **C2COS**
 Output lumens: 1131lms
 Input watts: 13W
 CRI: 90 min
 CCT¹: 3500K
 CBCP: 4999 cd
 Beam Angle: 23°
Efficacy: 87.0lm/w
 Report²: LRQB2261-30

Spot, 1000lm engine, 87.0 lm/W at 13W

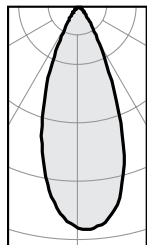
30° Horizontal Aiming					30° Vertical Aiming				
Distance		F.C.	Beam		Distance		F.C.	Beam	
D	C		L	W	D	C		L	W
6	3.5	90	3.3	2.8	2	3.5	156	3.7	1.6
8	4.6	51	4.4	3.8	3	5.2	69	5.6	2.4
10	5.8	32	5.5	4.7	4	6.9	39	7.4	3.3
12	6.9	23	6.6	5.6	5	8.7	25	9.3	4.1



Fixture: **C2CSA10935**
 Reflector: **C2COS**
 Output lumens: 1223lms
 Input watts: 13W
 CRI: 90 min
 CCT¹: 3500K
 CBCP: 3015 cd
 Beam Angle: 35°
Efficacy: 94.1lm/w
 Report²: LRQB2261-31

Narrow Flood, 1000lm engine, 94.1 lm/W at 13W

30° Horizontal Aiming					30° Vertical Aiming				
Distance		F.C.	Beam		Distance		F.C.	Beam	
D	C		L	W	D	C		L	W
6	3.5	54	5.2	4.4	2	3.5	94	7.2	2.5
8	4.6	31	7.0	5.8	3	5.2	42	10.8	3.8
10	5.8	20	8.7	7.3	4	6.9	24	14.4	5.0
12	6.9	14	10.4	8.7	5	8.7	15	18.0	6.3



Fixture: **C2CSA10935**
 Reflector: **C2COF**
 Output lumens: 1177lms
 Input watts: 13W
 CRI: 90 min
 CCT¹: 3500K
 CBCP: 2278 cd
 Beam Angle: 40°
Efficacy: 90.5lm/w
 Report²: LRQB2261

Flood, 1000lm engine, 90.5 lm/W at 13W

30° Horizontal Aiming					30° Vertical Aiming				
Distance		F.C.	Beam		Distance		F.C.	Beam	
D	C		L	W	D	C		L	W
6	3.5	41	6.1	5.0	2	3.5	71	9.7	2.9
8	4.6	23	8.1	6.7	3	5.2	32	14.5	4.4
10	5.8	15	10.2	8.4	4	6.9	18	19.3	5.8
12	6.9	10	12.2	10.1	5	8.7	11	24.2	7.3

1. Correlated Color Temperature within specs as defined in ANSI_NEMA_ANSI C78.377-2008: Specifications for the Chromaticity of Solid State Lighting Products.
 2. Tested using absolute photometry as specified in LM79: IESNA Approved Method for the Electrical and Photometric Measurements of Solid-State Lighting Products.



© 2022 Signify Holding. All rights reserved. The information provided herein is subject to change, without notice. Signify does not give any representation or warranty as to the accuracy or completeness of the information included herein and shall not be liable for any action in reliance thereon. The information presented in this document is not intended as any commercial offer and does not form part of any quotation or contract, unless otherwise agreed by Signify.

Signify North America Corporation
 400 Crossing Blvd, Suite 600
 Bridgewater, NJ 08807
 Telephone: 855-486-2216

Signify Canada Ltd.
 281 Hillmount Road,
 Markham, ON, Canada L6C 2S3
 Telephone: 800-668-9008

All trademarks are owned by Signify Holding or their respective owners.