



Features industry leading visual comfort, excellent uniform illumination over time, and patented installation flexibility. IntelliHue color changing capability combines the consistent quality of light from both Lightolier Calculite downlights with Color Kinetics, and provides millions of combinations of precise white and color to maximize potential of architectural appeal in application. Calculite plus Color Kinetics greatly expands product flexibility in addition to providing peace of mind with precision quality from a broad array of IntelliHue luminaires.

Project: _____
 Location: _____
 Cat.No: _____
 Type: _____
 Lamps: _____ Qty: _____
 Notes: _____

Complete luminaire = Frame + Engine + Trim + Accessories (optional)

Frame

example: 4RN

Series	Installation	Voltage/Options
4R 4" Non-IC Round	N New construction	– Universal 120V/277V
	R Remodeler	– Universal 120V/277V

Engine

example: C4L15CKMDMXU

Series	Lumens ²	Color Kinetics	Beam	Dimming	Voltage
C4L					
C4L Calculite LED 4"	15 1500lm ³	CK IntelliHue by Color Kinetics	M Medium (56°) W Wide (76°)	DMX Digital Multiplexing	U Universal 120V/277V

Trim

example: C4RDLCCP

Series	Aperture	Style	Finish	Flange
C4				
C4 Calculite LED 4"	R Round	DL Downlight WW Wall Wash ¹	BK Black (anodized) CL Specular clear	CC Comfort clear CD Comfort clear diffuse CZ Champagne bronze
			WH White (matte)	– White (matte) P Polished (matches aperture) F Flangeless (requires CA4RFT)

Accessories

- CA4RFT** Mud-in ring for use in flangeless trim installations (ordered with a flangeless trim)
- C4RVPWH** IP65 Rated vandal proof matte white accessory mounts onto flangeless trims (C4RDL*F) and new construction frame only

- Specify Wide (W) beam light engine only for Wall Wash trim option.
- Nominal Lumens at 25°C ambient temperature.
- Nominal output varies by color temperature/hue selected.



C4RCK Calculite LED 4" gen 3

Downlight & Wall Wash with IntelliHue

Frame-in-kits

New Construction:

Galvanized stamped steel for dry or plaster ceilings. Pre-installed telescoping mounting bars from 13" to 24". For 4' distances, use 1/2" EMT, 1-1/2" x 1/2" U or C channel.

Max ceiling thickness is 2" (51 mm) including PoE frame 4.88" (124 mm) plenum depth for installation.

Emergency:

For reflector mounted emergency test switch add "EM" to end of catalog code (example: C4RDLCCEM). Leave blank for ceiling mounted test switch. Reflector mounted test switch requires above ceiling access.

Patented install Mounting frame:

- Pre-installed mounting bars for fast and tool-less installs into T-grid & hat channel ceilings.
- Close-cut aperture design eliminates possibility of gap between ceiling opening and reflector flange.
- Separate wiring compartment for wiring frame to building allows inspection prior to light engine install.
- Simple plug-and-play connection between frame and light engine from below ceiling.

Control

Interface:

Data Enabler Pro (DMX or Ethernet).

Control System:

Color Kinetics full range of controllers, including Light System Manager, Video System Manager Pro, iPlayer 3, Antumbra iColor Keypad, and ColorDial Pro.

Remote Monitoring & Management:

Philips Activesite ready, works with Interact Landmark.

Light engine

Quick connect power pack allow for easy installation and replacement from below ceiling with no need for additional wiring. This allows for:

- Frame and ceiling installation to be performed while still finalizing details such as lumen packages, CCT and control type.
- Easy replacement of electronics at end of life with minimal wasted material and labor required.
- Ease and upgradability of technology.
- Predicted 70% lumen maintenance to 78,000 hrs.
- Max operating ambient temperature 30°C.

Optical systems

Comfort throughout the space:

True 50° physical cutoff and 45° reflected cutoff.

Quality of light:

2 SDCM ensures color consistency from fixture to fixture and over the luminaire's long lifetime.

Time tested 3-step technology from Color Kinetics now exclusively available in Calculite downlights assures color consistency between luminaires in the space.

Optibin

A proprietary binning optimization process that exceeds industry standards for chromaticity leading to uniformity and consistency of hue and color temperature

Chromasync

An advanced algorithm that delivers improved color consistency between luminaires by adjusting color points. Factory adjustments translates to less time calibrating in the field and more time commissioning for desired lighting effect.

IntelliHue

Brings unparalleled consistency in CRI and quality of both white and color LED light to Calculite downlights. Color-control technology enables use of millions of colors and shades of white light with pinpoint precision.

Options and Accessories

Flangeless mud-in ring:

Use CA4RFT for use with flangeless plaster installations.

Sloped ceilings: Compatible with sloped ceiling adapters (see SCA spec sheet).

Vandal Proof: Use C4RVPWH for an IP65 rated vandal proof matte white accessory. Must be ordered with flangeless trim and new construction frame.

Labels and Listings

- cULus listed for wet locations
- IP65 rated with vandal proof accessory

Warranty



5 year limited warranty

Visit Signify.com/warranties for more information on Signify's standard 5-year limited warranty on complete luminaire systems.

Output

Beam Angle	Medium	Wide
Lumens @ 2700K	1464	1313
Lumens @ 4000K	1464	1337
Efficacy @ 2700K	64.5	59.7
Efficacy @ 4000K	67.4	61.3
CRI @ 2700K	85	85
CRI R9 @ 2700K	70	64
CRI @ 4000K	94	93
CRI R9 @ 4000K	53	54
LED Channels	Red-Orange, Green, Blue, Mint, Lime	

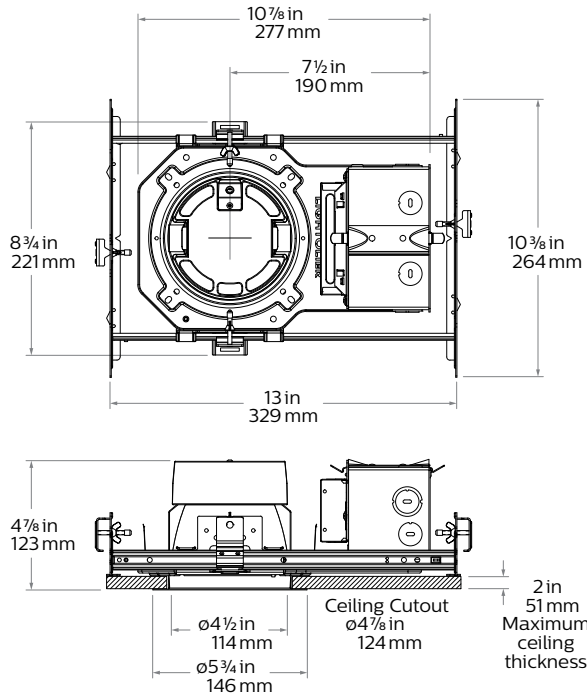
Electrical

Input Voltage	100 to 277 VAC, auto-ranging, 50/60Hz
Power Consumption	24W
Input Current	120V @ 0.205A
	277V @ 0.087A
Power Factor	>0.9 @ 100 to 240 VAC
LED Channels	>0.85 @ 277 VAC

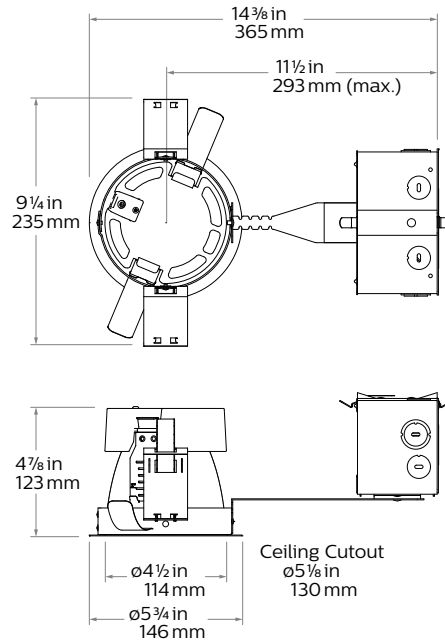
C4RCK Calculite LED 4" gen 3

Downlight & Wall Wash with IntelliHue

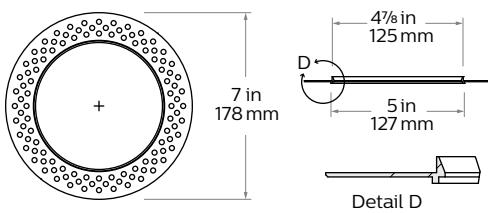
New Construction (N)



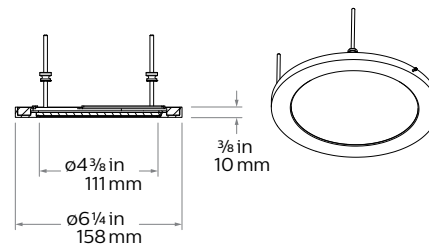
Remodeler (R)



Flangeless mud-in ring (CA4RFT) accessory



Vandal Proof (VP) accessory



C4RCK Calculite LED 4" gen 3

Downlight & Wall Wash with IntelliHue

Reflector



Specular clear (CL): Most specular and most efficient finish, delivers maximum photometric performance but can produce a mirror image effect of the interior space.



Champagne bronze (CZ): Semi-specular finish that softens light at the source of the reflector while providing a warmer reflector appearance (slightly warmer).



Comfort clear (CC): Semi-specular finish that softens the light at the source of the reflector and creates a subtle, even luminance from the reflector cone.



White (WH): (matte) Brightest illuminated aperture and provides the smoothest transition to most ceilings when off (white is only available with a white flange).



Comfort clear diffuse (CD): Slightly diffuse clear finish, that eliminates iridescence and reduces the mirror image effect inherent with specular finishes.



Black (BK): (matte) Specular finish that provides the lowest aperture brightness possible and significantly reduces source identification in a ceiling.



Vandal proof (VP): Provides an elegant solution for vandal resistant needs. One piece machined aluminum ring with impact resistant clear lens. Flangeless (F) flange must be ordered. Provides the luminaire with an IK10 impact and IP65 rating.

Flange



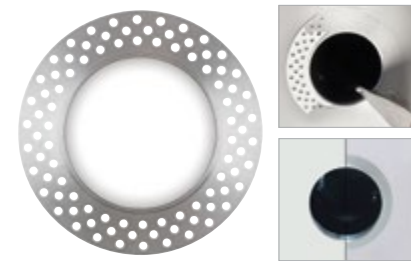
White (-): (matte) Provides the smoothest transition to ceilings when off.



Polished (P): (matches aperture) Produces a continuous look throughout the reflector (aperture matching).



Flangeless (F): (flush-mount) Creates a flush, virtually seamless transition from aperture to ceiling.



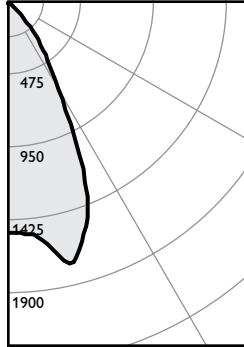
Mud-in ring (FT): Low profile, machined aluminum mud-in ring provides a raised rib to plaster up to and a 3/16" flange thickness. The ring is attached to the ceiling material as opposed to the frame-in kit to avoid conduction of heat and vibration which can cause yellowing or cracking of the plaster.

C4RCK Calculite LED 4" gen 3

Downlight & Wall Wash with IntelliHue

Downlight, Medium beam, 1500lm Engine, 65.9 lm/W at 21.6W

Candela Curve



Frame: 4RN
 Engine: C4L15CKMDMXU
 Trim: C4RDLCCL

Output lumens: 1423 lms
 Input watts: 21.6 W
 CRI: 90 min
 CCT²: 3500K
 Spacing Crit.: 0.96

Zonal summary

Zone	Lumens	%Luminaire
0-30	1078	75.8%
0-40	1332	93.6%
0-60	1419	99.7%
0-90	1423	100.0%

Angle	Mean CP	Lumens
0	1511	
5	1521	
10	1643	149
15	1720	
20	1500	457
25	1097	
30	659	471
35	417	
40	266	255
45	110	
50	10	84
55	3	
60	2	3
65	1	
70	1	1
75	0	
80	0	0
85	0	
90	0	

Single unit data

Height to lighted plane	Initial center beam foot-candles	Beam diameter (ft)*
5'	60	4.8'
6'	42	5.8'
7'	31	6.7'
8'	24	7.7'
9'	19	8.6'

* Beam diameter is where foot-candles drop to 50% of maximum.

Multiple unit data - RCR 2

Spacing on center	Initial center beam foot-candles	Watts per sq. ft.
5'	65.0	0.96
6'	43.0	0.63
7'	31.0	0.45
8'	26.0	0.37
9'	20.0	0.30

38' x 38' x 10' Room, Workplane 2.5' above floor, 80/50/20% Reflectances

Efficacy: 65.9 lm/w
 Report#: STMR-95-1

Adjustment factors

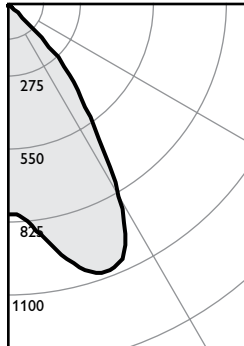
Finish	CCT
CL = 100%	2700K = 103%
CC = 95%	3000K = 101%
CD = 87%	3500K = 100%
CZ = 63%	4000K = 103%
WH = 87%	5000K = 96%
BK = 57%	6500K = 88%

Coefficients of utilization

Ceiling	80%				70%		50%		30%		0%	
	70	50	30	10	50	10	50	10	50	10	0	
RCR	Zonal cavity method - Effective floor reflectance = 20%											
Room Cavity Ratio	0	119	119	119	119	116	116	111	111	106	106	100
	1	114	111	109	106	109	105	105	101	101	98	94
	2	108	104	100	96	102	95	99	93	96	91	88
	3	103	97	92	88	96	88	93	86	90	85	82
	4	98	91	86	81	90	81	88	80	86	79	77
	5	93	85	80	76	84	75	83	75	81	74	72
	6	89	80	75	70	79	70	78	70	77	69	67
	7	85	76	70	66	75	66	74	65	73	65	63
	8	81	71	66	62	71	62	70	61	69	61	59
	9	77	68	62	58	67	58	66	58	65	58	56
	10	74	64	58	55	64	55	63	54	62	54	53

Downlight, Wide beam, 1500lm Engine, 59.8 lm/W at 21.7W

Candela Curve



Frame: 4RN
 Engine: C4L15CKWDMXU
 Trim: C4RDLCCL

Output lumens: 1298 lms
 Input watts: 21.7 W
 CRI: 90 min
 CCT²: 3500K
 Spacing Crit.: 1.3

Zonal summary

Zone	Lumens	%Luminaire
0-30	365	28.1%
0-40	1163	89.6%
0-60	1294	99.7%
0-90	1298	100.0%

Angle	Mean CP	Lumens
0	792	
5	824	
10	923	81
15	1028	
20	1077	285
25	1035	
30	835	449
35	566	
40	381	349
45	173	
50	16	127
55	3	
60	2	4
65	1	
70	1	1
75	0	
80	0	0
85	0	
90	0	

Single unit data

Height to lighted plane	Initial center beam foot-candles	Beam diameter (ft)*
5'	32	6.5'
6'	22	7.8'
7'	16	9.1'
8'	12	10.4'
9'	10	11.7'

* Beam diameter is where foot-candles drop to 50% of maximum.

Multiple unit data - RCR 2

Spacing on center	Initial center beam foot-candles	Watts per sq. ft.
5'	59.0	0.96
6'	39.0	0.63
7'	28.0	0.45
8'	23.0	0.38
9'	18.0	0.30

38' x 38' x 10' Room, Workplane 2.5' above floor, 80/50/20% Reflectances

Efficacy: 59.8 lm/w
 Report#: STMR-95-1

Adjustment factors

Finish	CCT
CL = 100%	2700K = 103%
CC = 95%	3000K = 101%
CD = 87%	3500K = 100%
CZ = 63%	4000K = 103%
WH = 87%	5000K = 96%
BK = 57%	6500K = 88%

Coefficients of utilization

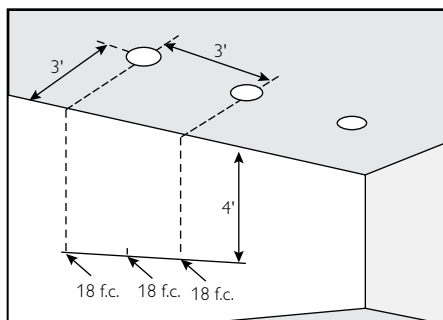
Ceiling	80%				70%		50%		30%		0%	
	70	50	30	10	50	10	50	10	50	10	0	
RCR	Zonal cavity method - Effective floor reflectance = 20%											
Room Cavity Ratio	0	119	119	119	119	116	116	111	111	106	106	100
	1	113	110	108	105	111	106	104	100	100	97	93
	2	107	102	98	94	105	96	97	91	94	89	85
	3	101	94	89	85	99	88	90	83	88	82	79
	4	96	88	82	77	94	81	84	76	82	75	72
	5	90	81	75	71	89	75	78	70	77	69	67
	6	85	76	69	65	84	69	73	64	72	63	61
	7	80	70	64	60	79	64	68	59	67	59	57
	8	76	66	59	55	75	59	64	55	63	54	53
	9	72	62	55	51	71	55	60	51	59	50	49
	10	68	58	51	47	67	51	56	47	56	47	45

1. Wattage controlled to within 65%.
 2. Correlated Color Temperature within specs as defined in ANSI_NEMA_ANSI C78.377-2008: Specifications for the Chromaticity of Solid State Lighting Products.
 3. Tested using absolute photometry as specified in LM79: IESNA Approved Method for the Electrical and Photometric Measurements of Solid-State Lighting Products.

C4RCK Calculite LED 4" gen 3

Downlight & Wall Wash with IntelliHue

Spacing

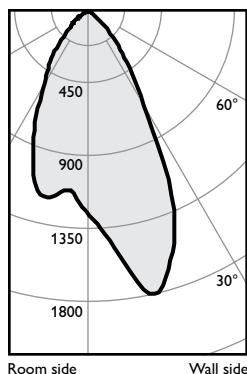


Adjustment factors

Finish	CCT
CL = 100%	2700K = 103%
CC = 95%	3000K = 101%
CD = 87%	3500K = 100%
CZ = 63%	4000K = 103%
WH = 87%	5000K = 96%
BK = 57%	6500K = 88%

Wall wash, 1500lm Engine, 68.0 lm/W at 21.3W

Candela Curve



Frame: **4RN**
 Engine: **C4L15CKWDMXU**
 Trim: **C4RWWCL**
 Output lumens: 1447 lms
 Input watts: 21.3 W
 CRI: 90 min
 CCT¹: 3500K

Efficacy: **68.0 lm/w**
 Report²: **STMR-95-1**

Multiple unit data

Footcandles on wall

Distance from ceiling in feet	2' from wall		
	3' on ctr.		
1	12	10	12
2	24	21	24
3	27	26	27
4	25	25	25
5	21	21	21
6	17	18	17
7	14	15	14
8	11	12	12
9	10	10	10
10	8	8	8
12	7	7	7
14	6	6	6

Multiple unit data

Footcandles on wall

Distance from ceiling in feet	3' from wall		
	3' on ctr.		
1	5	5	5
2	11	11	11
3	16	16	16
4	18	18	18
5	18	18	18
6	16	17	16
7	14	15	14
8	13	13	13
9	11	11	11
10	10	10	10
12	8	9	8
14	7	7	7

Multiple unit data

Footcandles on wall

Distance from ceiling in feet	3' from wall		
	4' on ctr.		
1	4	3	4
2	10	8	10
3	13	11	13
4	13	13	13
5	13	12	13
6	12	11	12
7	10	10	10
8	8	9	8
9	7	8	7
10	6	7	6
12	5	6	5
14	5	5	5

1. Wattage controlled to within 65%.
2. Correlated Color Temperature within specs as defined in ANSI_NEMA_ANSLG C78.377-2008: Specifications for the Chromaticity of Solid State Lighting Products.
3. Tested using absolute photometry as specified in LM79: IESNA Approved Method for the Electrical and Photometric Measurements of Solid-State Lighting Products.



© 2021 Signify Holding. All rights reserved. The information provided herein is subject to change, without notice. Signify does not give any representation or warranty as to the accuracy or completeness of the information included herein and shall not be liable for any action in reliance thereon. The information presented in this document is not intended as any commercial offer and does not form part of any quotation or contract, unless otherwise agreed by Signify.

Signify North America Corporation
 200 Franklin Square Drive,
 Somerset, NJ 08873
 Telephone 855-486-2216

Signify Canada Ltd.
 281 Hillmount Road,
 Markham, ON, Canada L6C 2S3
 Telephone 800-668-9008

All trademarks are owned by Signify Holding or their respective owners.