

# LIGHTOLIER

by Signify

# There's a reason why they call it a fan favorite...

LyteCaster LED

Downlights  
with AccuRender technology



# LyteCaster

## Downlights

Lightolier is a global market leader widely recognized for its innovative LED lighting solutions with an unmatched commitment to technology leadership, reliability, visual appeal and high performance. LyteCaster LED downlight and adjustable luminaires provide comfortable, quality illumination. LyteCaster's shallow frame height fits into tight plenum spaces. A perfect option for multifamily residential applications, condo projects, hotels, healthcare facilities and more.



# AccuRender LED Technology (CRI 90+)

The right light brings colors to life. Our new AccuRender technology helps ensure colors are rendered more accurately and consistently, while doing so as efficiently as CRI 80 products.



**Standard CRI 80**

Good color rendering and high efficacy



**Standard CRI 90**

Better color rendering and low efficacy



**AccuRender**

Best color rendering, color preference and high efficacy

## Enjoy design flexibility

Full range of products and options:

- Available soon across Lightolier portfolio for application flexibility
- Multiple color temperatures (CCTs) and lumen packages are offered

## Promote savings

High efficacy, with no penalty:

- Energy efficacy compares well to conventional 80 CRI
- Up to 25% more energy savings vs competitor 90 CRI<sup>1</sup>
- Helps meet Title 24 requirements

## Show your true colors

High color rendering:

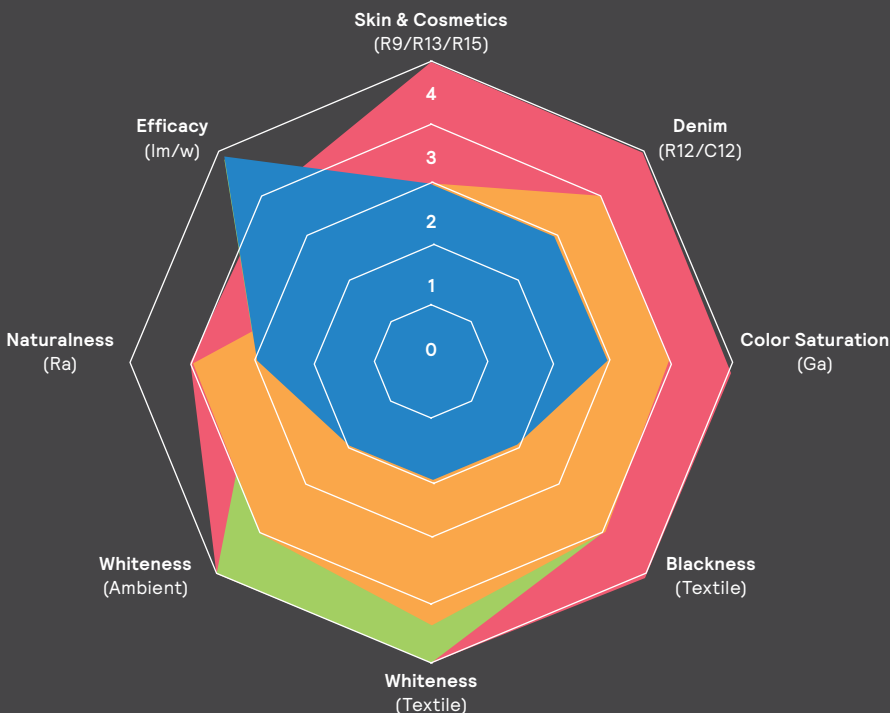
- True to life colors to help energize your environment and render better flesh tones critical for healthcare hospitality and retail applications.
- R<sub>a</sub> up to 94 CRI
- R<sub>g</sub> up to 67 CRI
- G<sub>a</sub> up to 99 CRI
- C<sub>g</sub> up to 94 CRI
- R<sub>r</sub> up to 92 TM-30
- R<sub>f,h1</sub> up to 91 TM-30
- R<sub>g</sub> up to 100 TM-30
- R<sub>cs,h1</sub> up to -5% TM-30

## Achieve color balance

Best in class color consistency:

- Promote aesthetic harmony in your space with ≤ 2 SDCM

## LED Color Recipes (90CRI/3000K)



### Crisp White

Dial-up the drama of your display. Highlight the variances in white tones, add contrast to blacks and create a real pleasing sparkle effect while retaining warm skin tones.



### Premium White

The new benchmark for retail fashion. Delivering stronger and brighter whites via the best lighting technology on the market with minimal compromise to energy savings.



### Premium Color

Enhance the contrast between colors and whites to achieve new depths of color rendering for a vibrant saturated fashion-forward visual experience that won't affect the atmosphere and will have a positive effect on energy efficiency.



### Standard Color

Standard CRI 90



# LED upgrade with ease

LyteCaster LED downlight's adaptable design makes it a versatile lighting option. Now available with AccuRender 90+ CRI technology for the highest color quality at the highest efficacy.

This shallow 3½" luminaire height saves plenum space without compromising the 70° physical and reflected cutoff which results in no glare and a comfortable lighting experience for end-users. Luminaire design offers efficacy of up to 100lm/w.

## Benefits

- Housings include 90° swivel mounting bar points and offset holes for applications close to joints for easy installation.
- Shallow 3.5" luminaire height saves plenum space making it ideal in residential and light commercial installations.
- An interchangeable and upgradeable modular light engine provides easy install that is ideal for renovation spaces.
- Low cost solution for slope ceiling and wall wash applications.
- Great for bathrooms and shower installations without the need for special lens design.

# L4, L5, L6 LyteCaster LED

## Downlights

### Features

- **Efficacy:** up to 103 lm/w
- **Lumens:** 650 – 2000lm
- **Watts:** 7 – 18W (max)
- **CRI:** 90+
- **CCT:** 2700 – 5000K
- **Volts:** 120V, 120V/277V (50/60Hz)
- **Lifetime:** 100,000 hrs (L80)



**Housing** Complete unit = Housing + Light engine + Trim (order each separately)

example: **L4R06AE1VA**

Series	Lumens	Installation	Dimming	Version
				<b>VB</b>
<b>L4R</b> LyteCaster 4" downlight	<b>06</b> 650lm	<b>A</b> New Construction w/ Screws <b>AN</b> New Construction w/ Nails <b>R</b> Remodeler	<b>E1</b> Phase Control (ELV/TRIAC 120V) <b>Z10U</b> 0-10V (Universal 120-277V)	<b>VB</b> Version B
<b>L4RA</b> LyteCaster 4" adjustable	<b>10</b> 1000lm			
<b>L5R</b> LyteCaster 5" downlight	<b>10</b> 1000lm			
<b>L5RA</b> LyteCaster 5" adjustable	<b>15</b> 1500lm			
<b>L6R</b> LyteCaster 6" downlight	<b>15</b> 1500lm			
<b>L6RA</b> LyteCaster 6" adjustable	<b>20</b> 2000lm			

### Light Engine

example: **L4R06927VA**

Series	Lumens	CRI/CCT	Finishes	Version		
				<b>VB</b>		
<b>L4R</b> LyteCaster 4" round downlight (compatible with square trims)	<b>06</b> 650lm	<b>927</b> 90CRI / 2700K <b>930</b> 90CRI / 3000K	– Specified with Trim below (for downlight models only)	<b>VB</b> Version B		
	<b>10</b> 1000lm					
<b>L5R</b> LyteCaster 5" round downlight (compatible with square trims)	<b>10</b> 1000lm	<b>935</b> 90CRI / 3500K <b>940</b> 90CRI / 4000K <b>950</b> 90CRI / 5000K				
	<b>15</b> 1500lm					
<b>L6R</b> LyteCaster 6" round downlight (compatible with square trims)	<b>15</b> 1500lm					
	<b>20</b> 2000lm					
<b>L4RA</b> LyteCaster 4" round adjustable (trim is integrated)	<b>06</b> 650lm	<b>927</b> 90CRI / 2700K <b>930</b> 90CRI / 3000K	<b>W</b> White Reflector / White Flange (integral to light engine for adjustable, do not specify Trim separately)	<b>VB</b> Version B		
	<b>10</b> 1000lm					
<b>L5RA</b> LyteCaster 5" round adjustable (trim is integrated)	<b>10</b> 1000lm	<b>935</b> 90CRI / 3500K <b>940</b> 90CRI / 4000K <b>950</b> 90CRI / 5000K				
	<b>15</b> 1500lm					
<b>L6RA</b> LyteCaster 6" round adjustable (trim is integrated)	<b>15</b> 1500lm					
	<b>20</b> 2000lm					

**Trim** (for downlights only)

example: **L4RDD**

Series	Finishes
<b>L4R</b> LyteCaster 4" round downlight	<b>DD</b> Open Downlight / Clear Diffuse / White Flange <b>DW</b> Open Downlight / White Finish / White Flange <b>BW</b> Baffle Downlight / White Finish / White Flange
<b>L4S</b> LyteCaster 4" square downlight	
<b>L5R</b> LyteCaster 5" round downlight	
<b>L5S</b> LyteCaster 5" square downlight	
<b>L6R</b> LyteCaster 6" round downlight	
<b>L6S</b> LyteCaster 6" square downlight	

**Note:** Version B frames and light engines are not compatible with previous versions.

cULus Listed Type I.C., frames are suitable for damp location and wet listed for use in covered ceilings. Complies with Air Leakage. 5 year warranty. ENERGY STAR® certified (excluding Crisp White, Premium White, and Premium Color configurations).



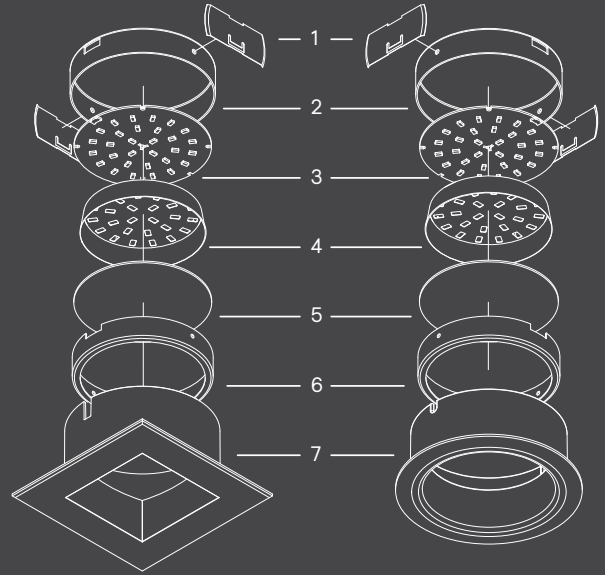
# Cutting edge technology

## Three-Part Downlighting System

The ideal general purpose downlighting solution, providing comfortable, quality light. Available with new construction and remodeler housings and interchangeable light engines that are offered in two lumen packages. This downlight is wet location listed and if offered in three standard trim finishes.

### Components

- 1. Retaining clips:** 29 gauge Stainless Steel, allows tool-less installation of light engine to trim.
- 2. Engine housing:** (0.05") thick powder coated aluminum provides integrated thermal management allowing for a low profile at less than 3 1/2" tall.
- 3. LED board:** High efficiency mid-flux LED technology.
- 4. Mixing chamber:** 98% reflective, highly diffuse film.
- 5. Diffusion lens:** (0.06") thick acrylic opal lens provides an even source of illumination.
- 6. Retaining ring:** (0.04") thick powder coated aluminum, secures module components.
- 7. Reflector:** 30% glass reinforced injection molded polycarbonate is durable and provides a 70° cutoff to the source.



### Housings



### Light Engines



4" Light Engine



5" Light Engine



6" Light Engine

### Trims



Open Downlight  
Clear Diffuse  
White Flange  
(DD)



Open Downlight  
White Finish  
White Flange  
(DW)



Baffle Downlight  
White Finish  
White Flange  
(BW)



Open Downlight  
Clear Diffuse  
White Flange  
(DD)



Open Downlight  
White Finish  
White Flange  
(DW)



Baffle Downlight  
White Finish  
White Flange  
(BW)



White Reflector  
White Flange  
(adjustable)

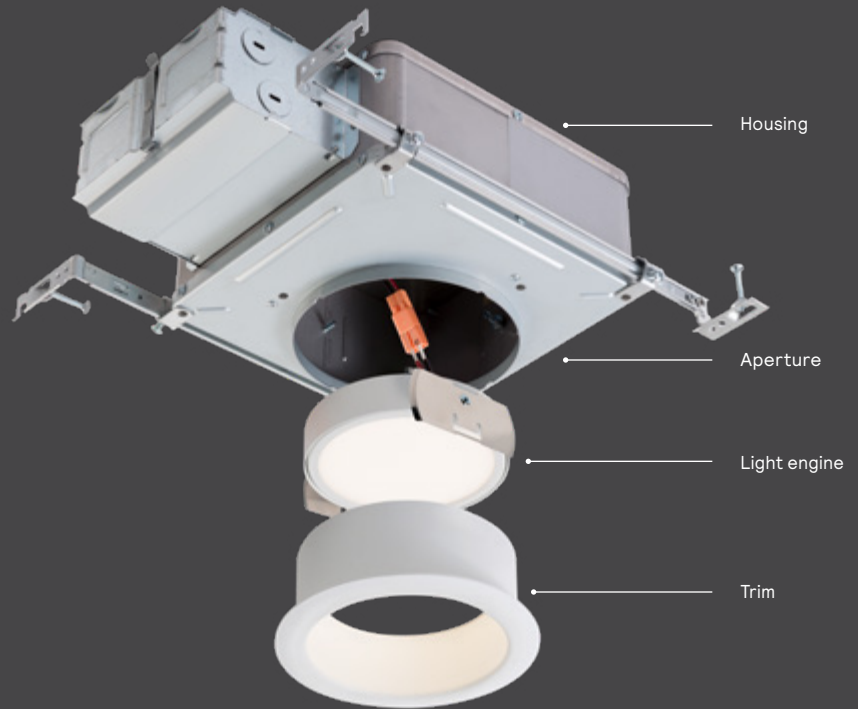
# Three-part system

## Taking accent lighting to the next level

Housing offers multiple built-in contractor friendly features for easy installation.

Light engine provides a lightweight design featuring innovative mid-flux LED technology which eliminates pixilation and provides smooth, even illumination with simplified thermal management.

Complete unit consists of Housing, Light engine and Trim (order each separately).



### Features

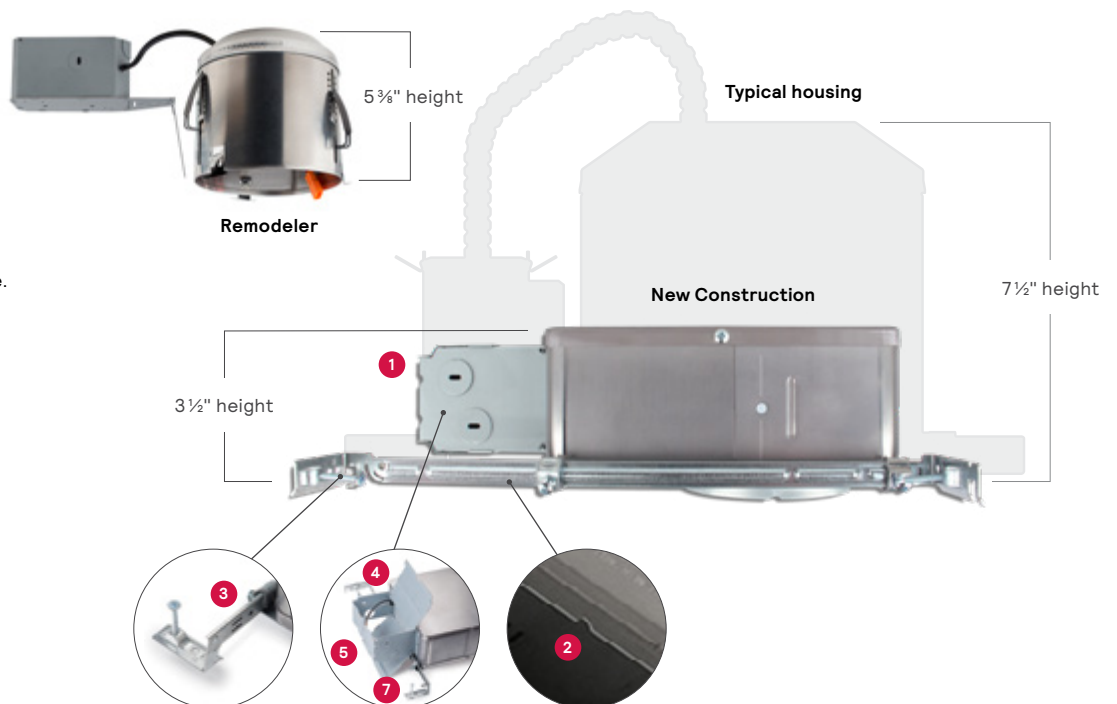
**Less stocking for distributors:**  
Easy mix and match of housing options, CCT / CRI LED light engine options, and trim finish options.\*

**Easy to upgrade and service:**  
Simple to replace trims in the field.  
Future proof LED light engine is easy to replace, modular and upgradeable.

**Available with Screws or Nails:**  
Frames with Screws = A (L5RAE1)  
Frames with Nails = AN (L5RANE1)

**Contractor friendly installation:**

1. Offset holes
2. Alignment notches
3. 90° swivel mounting bar points
4. Top access for open ceilings
5. Large junction box
6. Access from inside frame
7. Bottom access for ease of wiring and inspection



\* Adjustable models are 2-part systems (housing and Light engine/Trim)



© 2021 Signify Holding. All rights reserved. The information provided herein is subject to change, without notice. Signify does not give any representation or warranty as to the accuracy or completeness of the information included herein and shall not be liable for any action in reliance thereon. The information presented in this document is not intended as any commercial offer and does not form part of any quotation or contract, unless otherwise agreed by Signify.

Signify North America Corporation  
400 Crossing Blvd, Suite 600  
Bridgewater, NJ 08807  
Telephone: 855-486-2216

Signify Canada Ltd.  
281 Hillmount Road,  
Markham, ON, Canada L6C 2S3  
Telephone: 800-668-9008

All trademarks are owned by Signify Holding or their respective owners.