

**READ AND UNDERSTAND THESE INSTRUCTIONS BEFORE INSTALLING FIXTURE**

This fixture is intended for installation in accordance with the National Electrical Code and local regulations. To assure full compliance with local codes and regulations, check with your local electrical inspector before installation. To prevent electrical shock, turn off electricity at fuse box before proceeding.

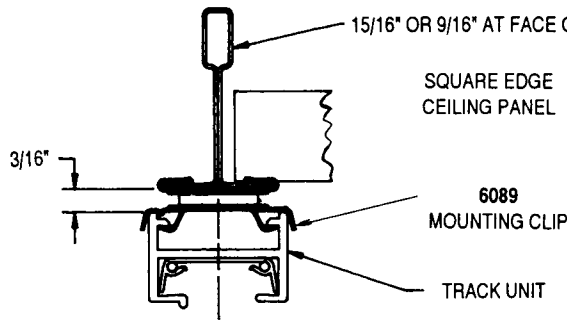
**Retain these instructions for maintenance reference.**

INSTRUCTION SHEET NO.

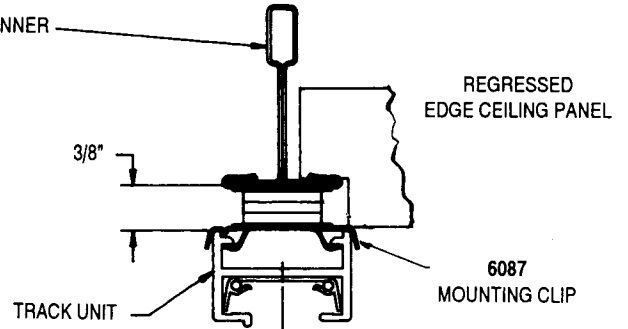
**IS:6087**

Page 1 of 1

**T-BAR RUNNER MOUNTING CLIPS  
FOR USE WITH BASIC OR ADVENT LYTESPAN® TRACK SYSTEM ONLY**



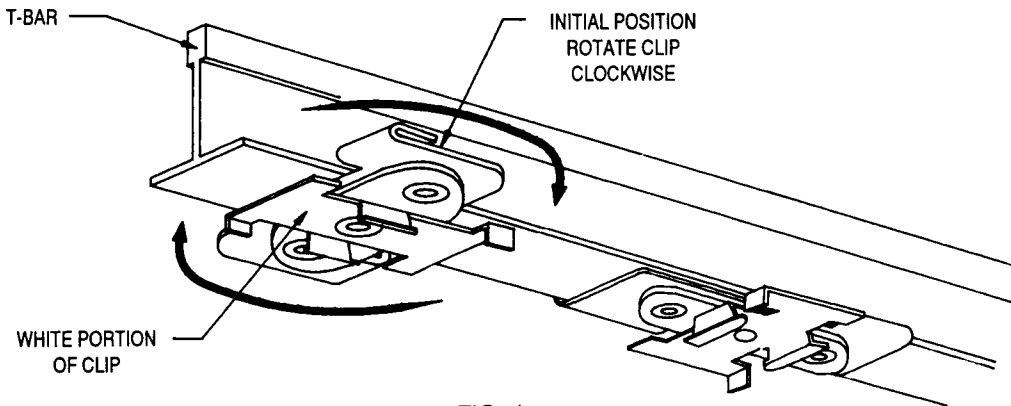
**SQUARE EDGE PANEL**



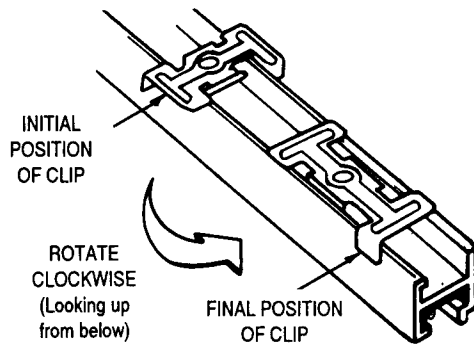
**REGRESSED EDGE PANEL**

**NOTE: Track can be positioned at any angle relative of the T-BAR.**

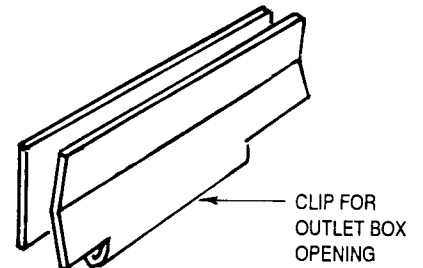
1. Use 2 MOUNTING CLIPS for 2' and 4' track units. Use 3 MOUNTING CLIPS for 8' track unit.
2. Rotate MOUNTING CLIP onto T-BAR. See Fig. 1.
3. Rotate the white portion of the MOUNTING CLIP to initial position and rotate into Track Unit. See Fig. 2.



**FIG. 1**



**FIG. 2**



**NOTE: (4)CLIPS ARE ONLY USED ON OUTLET BOX FOR GRID CEILING CANOPY KIT 6096WH WHEN NECESSARY**

**LIGHTOLIER**

by **signify**

Signify North America Corporation  
200 Franklin Square Drive  
Somerset, NJ 08873, USA  
Phone: 855-486-2216

Signify Canada Ltd./Signify Canada Ltée  
281 Hillmount Road  
Markham ON, Canada L6C 2S3  
Phone: 800-668-9008

[www.lightolier.com](http://www.lightolier.com)