

INSTRUCTIONS FOR ASSEMBLING PLASTER RING TO FRAME-IN KITS 1002, 1102, 1202

Insert each TAB on PLASTER RING into SLOTS at embossings in MOUNTING FRAME (Fig. 1 and 2) until all four TABS engage MOUNTING FRAME (Fig. 3).

NOTE: Use Plaster Ring Accessory:

No. 1960 for 1002 Frame-In-Kit.

No. 1961 for 1102 Frame-In-Kit.

No. 1962 for 1202 Frame-In-Kit.

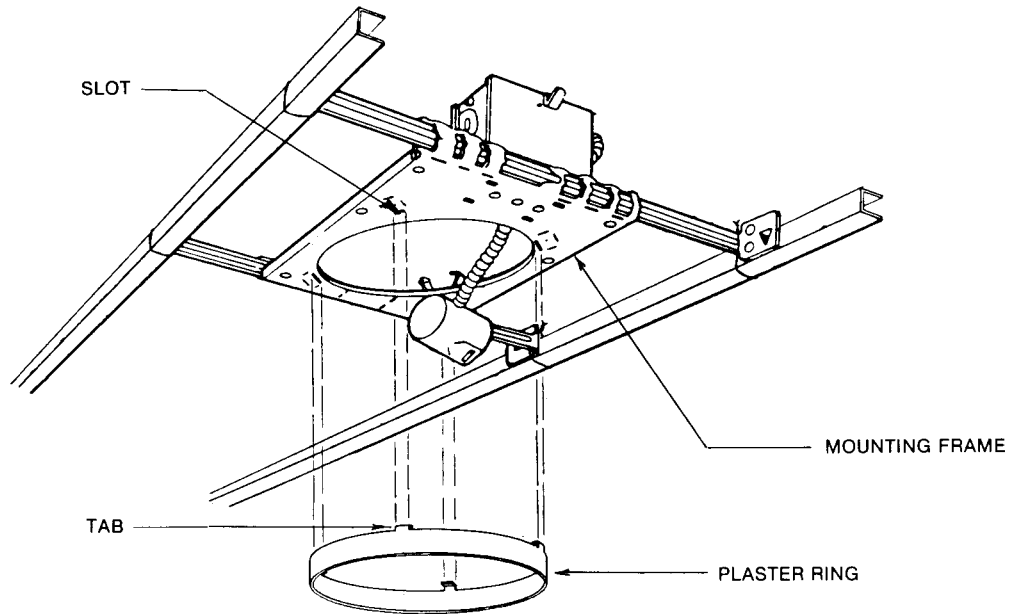


FIG. 1

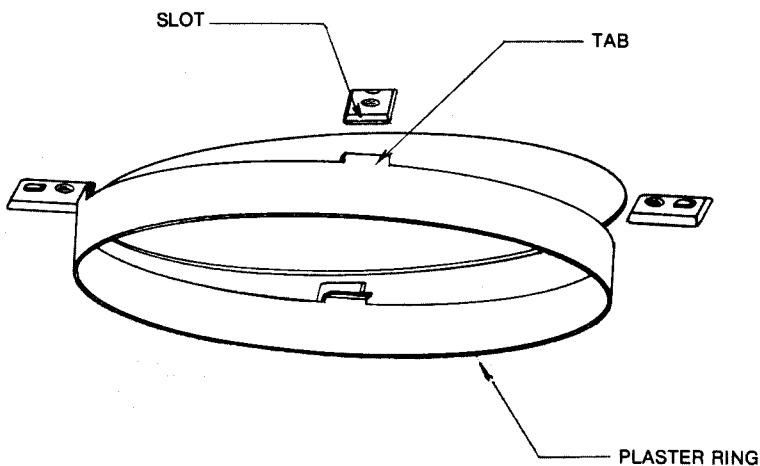


FIG. 2

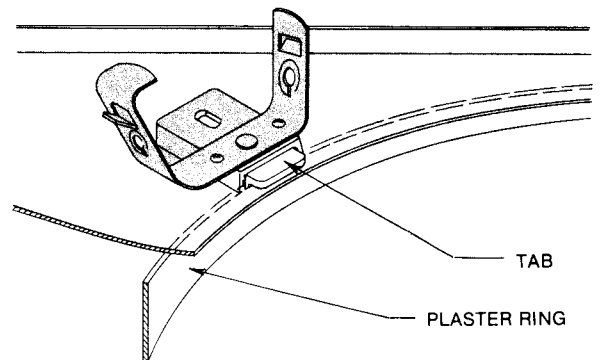


FIG. 3