

Project: _____
 Location: _____
 Cat.No: _____
 Type: _____
 Lamps: _____ Qty: _____
 Notes: _____

Line Voltage PAR38 Ring

| Catalog No. | Lamp |
|---------------|------------|
| 55215WH White | 250W PAR38 |
| 55215BK Black | |

Features

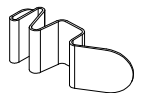
- Lamp Shield:** 0.040" (1.02mm) steel.
- Pivot Mounting:** Tensioned with integral spring washer. Adjusts vertically up to 180°.
- Socket Housing:** Molded polycarbonate. Integral color.
- Yoke:** 0.093" (2.36mm) steel.
- Pivot Mounting:** Permanently tensioned. Adjust horizontally with 350° stop.
- Polarity Keyway.**
- Movable Contact:** Solid Brass. Extends for connection to 2nd circuit in Advent Lytespan track.
- Push Tab:** Molded polycarbonate. Detaches unit.
- Lytespan Attachment Fitting:** Molded polycarbonate. Integral color. Fitter twists onto track, lock on with push tab.
- Lamp Retaining:** 0.018" (0.46mm) spring steel.
- Ground Contact:** Solid brass.
- Socket:** Porcelain socket body, medium base nickel plated screw shell. 18AWG, SEW-1 (150°C-300V) leads.

Mounting

All Basic (single circuit), Advent (2 circuits) track systems, Monopoint and Multipoint.

Accessory

0087: Accessory Holder (3 clips) Accept maximum of one accessory 4 3/4" (121mm) dia. (ADF4, AF4 and AL4 series)



Finish

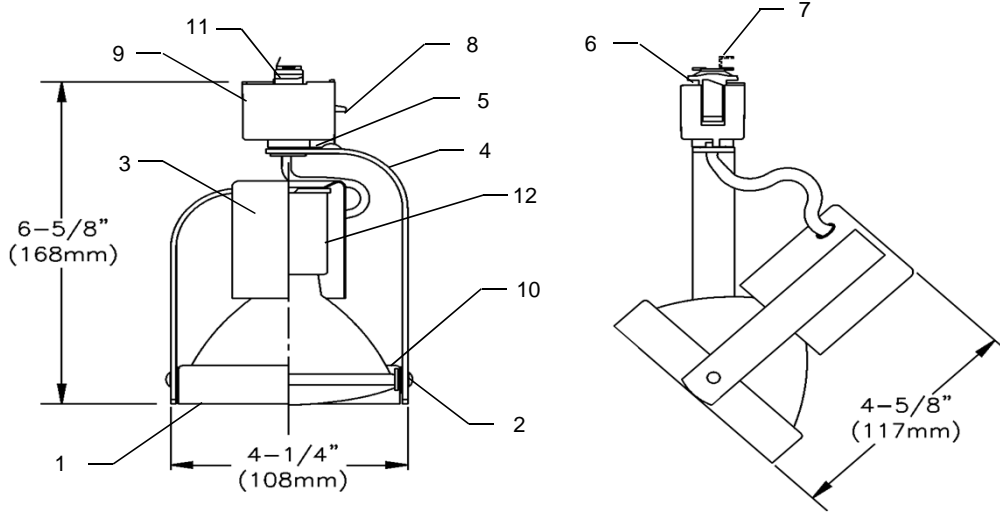
All painted finishes are baked powder or enamel.

Marking

CSA Certified, suitable for dry locations only.

55215, 55241, 55242 Gimbal Ring

Track Heads (PAR30 & PAR38)



Line Voltage PAR30 Ring Front Relamping

| Catalog No. | Lamp |
|---------------|-------------------------------|
| 55241WH White | 75W PAR30S (Short Neck Lamp) |
| 55241BK Black | |

Features

1. Lamp Shield: 0.040" (1.02mm) steel.
2. Pivot Mounting: Tensioned with integral spring washer. Adjusts vertically up to 180°.
3. Socket Housing: 0.030" (0.76mm) steel.
4. Yoke: 0.093" (2.36mm) steel.
5. Pivot Mounting: Permanently tensioned. Adjust horizontally with 350° stop.
6. Polarity Keyway.
7. Movable Contact: Solid brass. Extends for connection to 2nd circuit in Advent track.
8. Push Tab: Molded polycarbonate. Detaches unit.
9. Lytespan Attachment Fitting: Molded polycarbonate. Integral color. Fitter twists onto track, lock on with push tab.
10. Lamp Retaining: 0.018" (0.46mm) spring steel.
11. Ground Contact. Solid brass.
12. Socket: Porcelain body, medium base, nickel plated screw shell. 18AWG, SEW-1, 150°C leads.

Mounting

All Basic (single circuit), Advent (2 circuits) track systems, Monopoint and Multipoint.

Finish

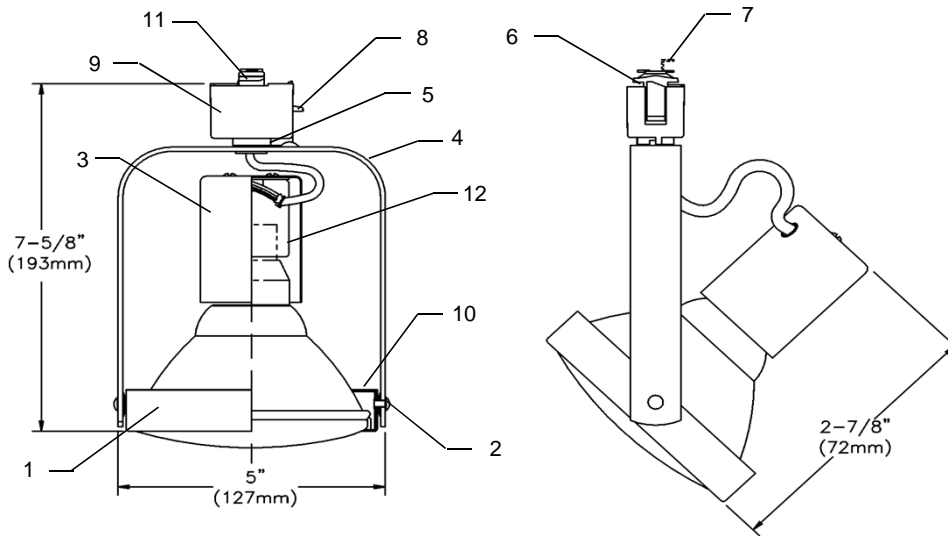
All painted finishes are baked powder or enamel.

Marking

cCSAus Certified, suitable for dry locations only.

55215, 55241, 55242 Gimbal Ring

Track Heads (PAR30 & PAR38)



Line Voltage PAR38 Ring Front Relamping

| Catalog No. | Lamp |
|---------------|------------|
| 55242WH White | 250W PAR38 |
| 55242BK Black | |

Features

1. **Lamp Shield:** 0.040" (1.02mm) steel.
2. **Pivot Mounting:** Tensioned with integral spring washer. Adjusts vertically up to 180°.
3. **Socket Housing:** 0.030" (0.76mm) steel.
4. **Yoke:** 0.093" (2.36mm) steel.
5. **Pivot Mounting:** Permanently tensioned. Adjust horizontally with 350° stop.
6. **Polarity Keyway.**
7. **Movable Contact:** Solid brass. Extends for connection to 2nd circuit in Advent track.
8. **Push Tab:** Molded polycarbonate. Detaches unit.
9. **Lytespan Attachment Fitting:** Molded polycarbonate. Integral color. Fitter twists onto track, lock on with push tab.
10. **Lamp Retaining:** 0.018" (0.46mm) spring steel.
11. **Ground Contact.** Solid brass.
12. **Socket:** Porcelain body, medium base, nickel plated screw shell. 18AWG, SEW-1, 150°C leads.

Mounting

All Basic (single circuit), Advent (2 circuits) track systems, Monopoint and Multipoint.

Finish

All painted finishes are baked powder or enamel.

Marking

cCSAus Certified, suitable for dry locations only.

