

**INSTRUCTIONS PROCEDURE FOR LOW VOLTAGE
INSULATED CEILING FRAME-IN KIT**
May be used for 1000LV series trims)

READ AND UNDERSTAND THESE INSTRUCTIONS BEFORE INSTALLING FIXTURE.

This fixture is intended for installation in accordance with the National Electrical Code and local regulations. To assure full compliance with local codes and regulations, check with your local electrical inspector before installation. To prevent electrical shock, turn off electricity at fuse box before proceeding. Retain these instructions for maintenance reference.

NEW CONSTRUCTION

I.C. FRAME-IN KIT MAY BE USED IN DIRECT CONTACT WITH INSULATION

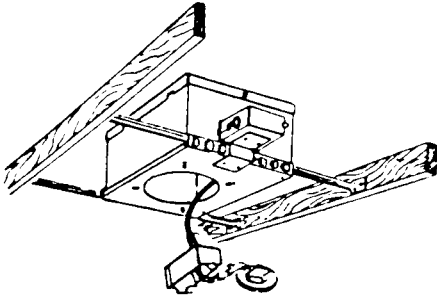


FIG. A
1. FRAME-IN

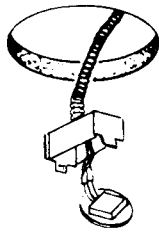


FIG. B
2. CLOSE-IN

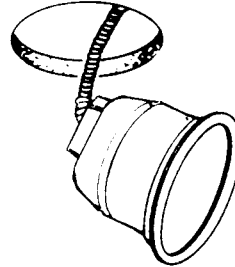


FIG. C
3. SNAP-IN

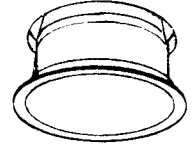


FIG. D
4. PUSH-UP

WARNING: USE ONLY WITH LIGHTOLIER REFLECTOR TRIMS MARKED WITH I.C. LAMPING INFORMATION. USE OF OTHER MANUFACTURERS' REFLECTOR TRIMS VOIDS THE UNDERWRITERS LABORATORIES LISTING AND COULD CONSTITUTE A FIRE HAZARD.

1. FRAME-IN (Fig. A)

Fasten MOUNTING FRAME to wood joist. Line up bottom edge of ADJUSTABLE MOUNTING BAR with bottom of wood joist (Fig. E). Wire to supply leads. White fixture lead to neutral supply lead. Black fixture lead to hot (120V.) supply lead. Bare fixture wire to supply ground. use wirenuts (local hardware items). Place all electrical connections in the j-box. Attach j-box cover onto j-box.

NOTE: ADJUSTABLE MOUNTING BARS can be extended for 24" mounting. For suspended ceiling, make certain that the bottom of MOUNTING FRAME is no higher than 1" above ceiling line (Fig. F).

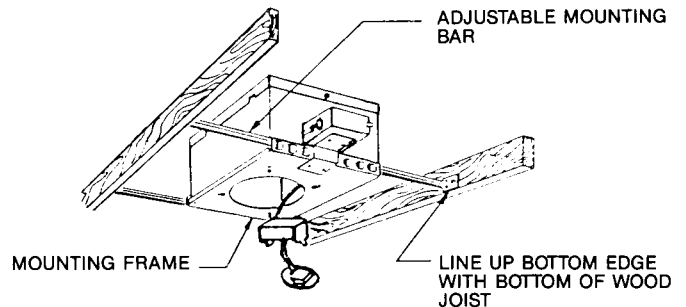


FIG. E

2. CLOSE-IN (Fig. B)

Install plasterboard or other dry type ceiling, as required. Hole in board must be cut either on the ground or after the board is nailed to the ceiling, using MOUNTING FRAME opening as a cutting guide. (Make sure ROTO-CLIPS are rotated out of hole area to be cut, also making sure that socket and wiring are positioned away from hole area)

3. SNAP-IN (Fig. C).

SEE SEPARATE REFLECTOR TRIM INSTRUCTION SHEETS.

4. PUSH-UP (Fig. D)

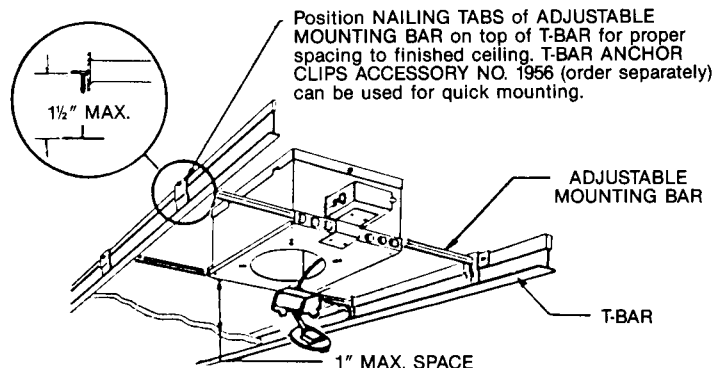


FIG. F

NOTE: For wet plaster ceiling, use Plaster Ring Accessory No. 1960 (order separately).

NOTE: Socket manufacturers have suggested that socket may fail after 3 to 6 relampings. If this occurs socket can be replaced by disconnecting male connectors (attached to socket leads) from female connectors (attached to fixture leads) and replacing it with a new socket procured through Lightolier (Fig. G.).

1. Make sure that power is OFF when lamping or relamping. Remove LAMP RING from socket cup by pulling straight down.
2. Insert LAMP (MR16) between LAMP SPRINGS until face of lamp sits firmly on GLASS LAMP GUARD (Fig. H.).
3. Attach SOCKET to bi-pin prongs on LAMP.
4. Insert LAMP RING with LAMP and GLASS LAMP GUARD back into SOCKET CUP.

WARNING: 1. LAMP MANUFACTURERS REQUIRE THE GLASS LAMP GUARD BE IN PLACE BEFORE ENERGIZING LAMP, AND THAT GREAT CARE MUST BE TAKEN THAT LAMP IS FULLY COOLED BEFORE RELAMPING. AVOID FINGER MARKS ON INSIDE OF LAMP FOR THEY MAY CAUSE SHORT LAMP LIFE AND POSSIBLE BREAKAGE. 2. USE ONLY REFLECTOR TRIMS PROVIDED BY LIGHTOLIER INC. USE OF OTHER MANUFACTURER'S REFLECTOR TRIMS VOIDS THE UNDERWRITERS LABORATORIES LISTING AND COULD CONSTITUTE A FIRE HAZARD.

TRANSFORMER REPLACEMENT

1. Make sure power is off.
2. Remove REFLECTOR TRIM from ceiling.
3. Loosen THUMB SCREWS and lift TRANSFORMER off bracket.
4. Remove J-BOX COVER by releasing spring.
5. Unsplice all wiring in J-BOX.
6. Remove primary leads from clips attached to side of housing.
7. Cut secondary (red) leads 6" to 8" from transformer and discard faulty transformer.
8. Remove TRANSFORMER BRACKET by removing screw and nut.
9. Re-assemble new transformer to TRANSFORMER BRACKET, splice secondary (red) leads to socket leads. Slide down transformer onto bracket and tighten THUMB SCREWS, attach primary leads under clips on side of housing.
10. Rewire fixture:
 - a. Splice black transformer lead to one of black thermal protector leads.
 - b. Replace J-BOX COVER.
 - c. Install REFLECTOR TRIM.
 - d. Wire to supply leads.

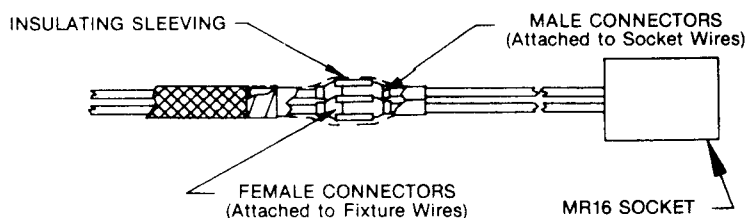


FIG. G

NOTE: 1. LOW VOLTAGE FIXTURES should be dimmed only with special dimmers intended specifically for that purpose. Use Lightolier Lytemode, Scenist, Crescendo VA, Neptune VA, Precision VA, Easyset VA, Sunrise VA, Radiant VA or equivalent products by others or variable autotransformers or electronic dimmers intended for use with low voltage fixtures. 2. Low voltage fixtures may produce audible sound when used with dimmers, which may be objectional in acoustically critical areas.

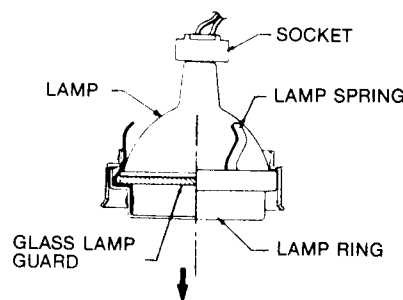


FIG. H

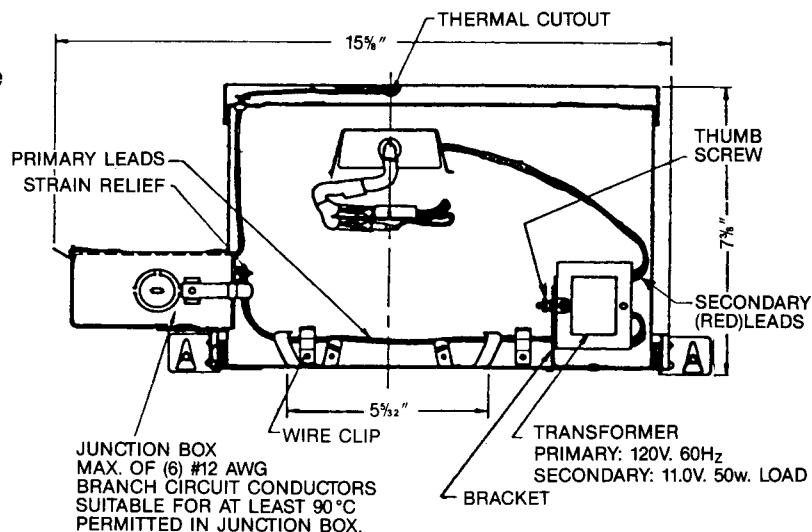


FIG. I