

READ AND UNDERSTAND THESE INSTRUCTIONS BEFORE INSTALLING FIXTURE

This fixture is intended for installation in accordance with the National Electrical Code and local regulations. To assure full compliance with local codes and regulations, check with your local electrical inspector before installation. To prevent electrical shock, turn off electricity at fuse box before proceeding.

Retain these instructions for maintenance reference.

INSTRUCTION SHEET NO.

IS:1967

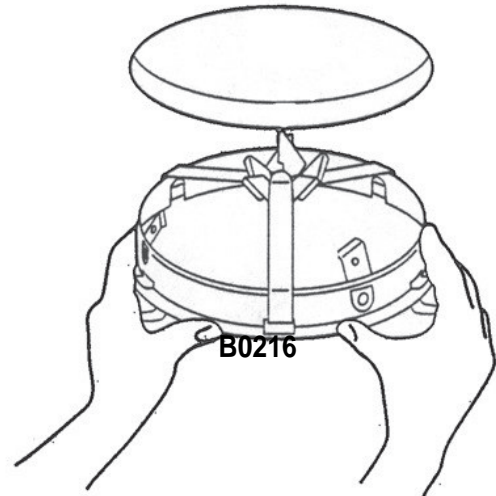
Page 1 of 1

**INSTALLATION PROCEDURE FOR
1967A (6 3/4"), 1967B (5"), 1967C (3 3/4")
THICK CEILING MOUNTING RINGS**

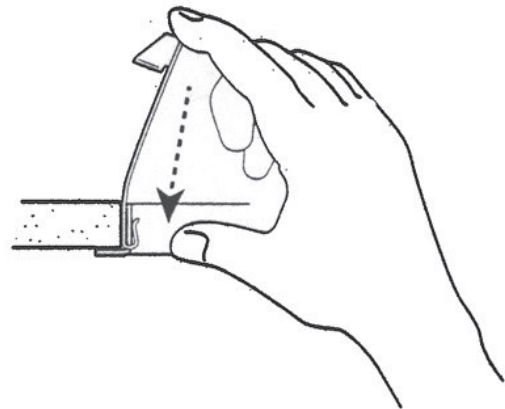
FOR USE WITH LYTECASTER 1100 SERIES, 1000 SERIES OR 2000 SERIES TRIMS (FINISHING SECTIONS) ONLY

1. Push MOUNTING RING into opening until FLANGE sits against ceiling.

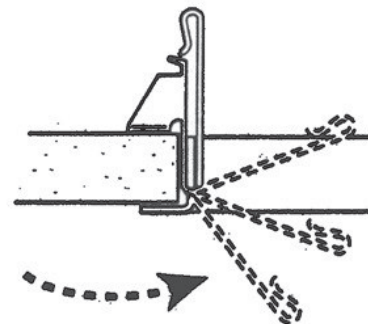
NOTE: When installing 1967C (3 3/4") push SOCKET CUP through MOUNTING RING before Step 1.



2. Slide MOUNTING CLIP down to trap ceiling thickness.



3. Bend up to secure.



LIGHTOLIER®

Philips Lighting North America Corporation
200 Franklin Square Drive
Somerset, NJ 08873, USA
Phone: 855-486-2216

Philips Lighting Canada Ltd.
281 Hillmount Road
Markham ON, Canada L6C 2S3
Phone: 800-668-9008