

READ AND UNDERSTAND THESE INSTRUCTIONS BEFORE INSTALLING-FIXTURE

This fixture is intended for installation in accordance with the National Electrical Code and local regulations. To assure full compliance with local codes and regulations, check with your local electrical inspector before installation. To prevent electrical shock, turn off electricity at fuse box before proceeding.

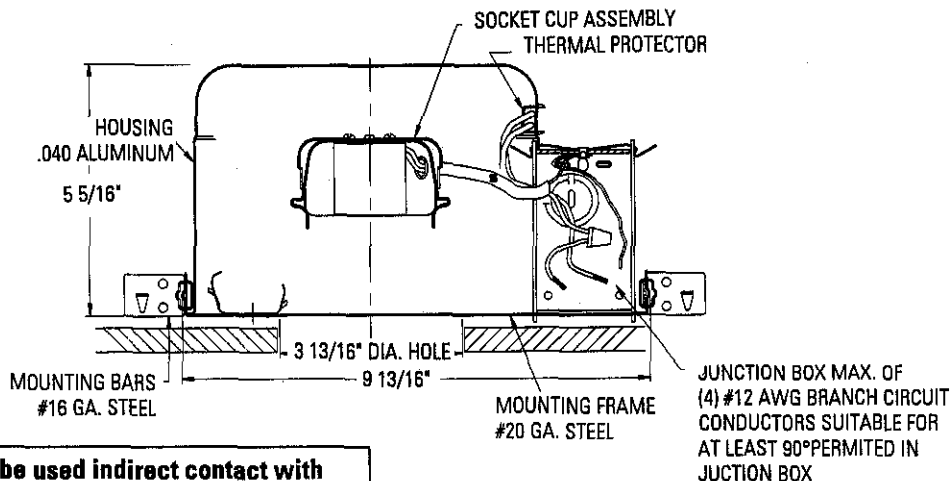
Retain these instructions for maintenance reference.

INSTRUCTION SHEET NO.

IS:2000IC

Page 1 of 1

INSTALLATION PROCEDURE FOR FRAME-IN KIT 2000IC AND 2000AIC



NOTE: I.C. Frame-In Kit may be used indirect contact with insulation.

1. FRAME-IN AND WIRE-IN

Fasten MOUNTING FRAME to wood joist. Line up bottom edge of ADJUSTABLE MOUNTING BAR with bottom of wood joist (Fig. 1). Wire to supply leads. (For cable, use built-in cable clamp in J-BOX.) White fixture lead to neutral supply lead. Black fixture lead to hot (120V.) supply lead. Bare fixture wire to supply ground. Use wirenuts (local hardware items). Place all electrical connections in the J-BOX. Attach J-BOX COVER onto J-BOX.

NOTE: ADJUSTABLE MOUNTING BARS can be extended for 24" mounting. For suspended ceiling, make certain that the bottom of MOUNTING FRAME is no higher than 1" above ceiling line (Fig. 2).

2. CLOSE-IN

Install in plasterboard or other dry type ceiling, as required. Hole in board can be cut either on the floor or after the board is nailed to the ceiling, using MOUNTING FRAME opening as cutting guide. (Make sure ROTO-CLIPS are rotated out of hole area to be cut.)

NOTE: For wet plaster ceiling, use Plaster Ring Accessory No. 1959 (order separately).

3. SNAP-IN

} SEE SEPARATE REFLECTOR

4. PUSH-UP

} TRIM INSTRUCTION SHEET.

WARNING: USE ONLY WITH LIGHTOLIER REFLECTOR TRIMS MARKED WITH I.C. LAMPING INFORMATION.

WARNING: USE ONLY WITH TRIMS DESIGNATED BY LIGHTOLIER INC. USE OF OTHER MANUFACTURERS' TRIMS VALIDATES THE UNDERWRITERS LABORATORIES LISTING AND COULD CONSTITUTE A FIRE HAZARD.

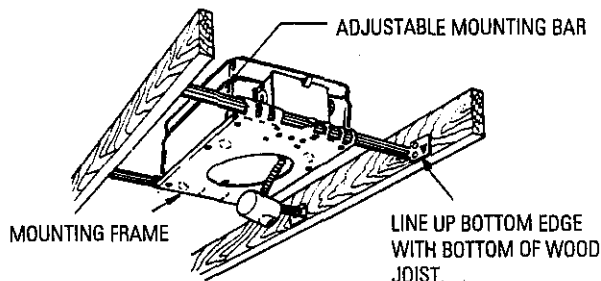


FIG. 1

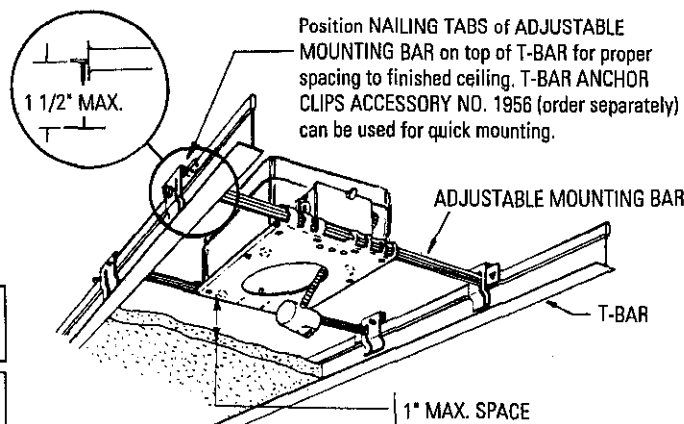


FIG. 2

PHILIPS LIGHTOLIER

Philips Lighting North America Corporation
200 Franklin Square Drive
Somerset, NJ 08873, USA
Phone: 855-486-2216

Philips Lighting Canada Ltd.
281 Hillmount Road
Markham ON, Canada L6C 2S3
Phone: 800-668-9008