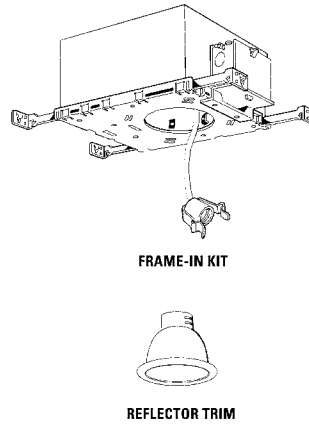


Project: _____
 Location: _____
 Cat.No: _____
 Type: _____
 Lamps: _____ Qty: _____
 Notes: _____



Complete Fixture consists of Reflector Trim & Frame-In Kit. Select each separately.

Frame-In Kit	Reflector Trims — See Individual Reflector Trim Specification Sheets									
	Open Downlight									
1000P1	Reflector	Cone	Satin Cone	Baffles	Basic White	Pinhole	Adjustable	Eyeball	Enclosed Diffusers	
	1045	1012	1008	1005	1071	1011	1029	1082	1021	1035
	1046	1012NM	1008NM	1005NM			1029NM		1024	1035WH
	1046CD	1013	1010	1005BNM			1029BK		1078	1085
		1013NM	1010NM	1005WH			1029BKNM			Wall Washer
		1013CD		1076			1029CD			
		1013BKNM		1076WH			1029CDNM			
		1013CDNM					1029CL			
		1013BK					1029CLNM			
		1013WH					1029GD			
							1029GDNM			
							1029BNM			

PAR30 lamps do not require socket extender. Long neck PAR30 lamps are not compatible with the 1029 series trims.

1000P1 Lytecaster INC 5"

Performance Non-IC Frame

Features

- Housing:** .026" galvanized steel. Access door for inspection of junction box.
- Mounting Frame:** .036" (#20 ga.) galvanized steel. Accommodates all ceilings up to 1" thick. Four slots are positioned 90° apart to simplify alignment. Push-in/twist-out rotoclips hold reflector flush to ceiling.
- Junction Box:** 4" X 3 1/2" X 2" (22 cu. in.) .063" (#14 ga.) galvanized steel. U.L. listed for maximum of 8 No. 12 ga. 75° C through branch circuit conductors (60° C end of run). Integral cable clamps permit attachment of non-metallic Romex® or armored cable without need of additional connectors.
- Mounting Bars:** .059" (#16 ga.) galvanized steel. 13" long bars extend to 27", rotatable and lockable, with integral T-bar tabs. Attach to wood joist or T-bar ceilings without the need of accessories.
- Socket:** Porcelain medium base; nickel plated screw shell. Pre-wired with #18 ga. SF1 leads to junction box.
- Thermal Protector:** Meets NEC and UL requirements. Insulation must be kept 3" away from fixture sides and wiring compartments and must not be placed above fixture in a manner which will entrap heat. Located inside housing.

Options & Accessories

- Mounting Bars:** 1964 - 20" set of (2)
Plaster Ceiling Ring: 1960 - 7 /8" depth for wet plaster ceilings.
Extra-Thick Ceiling Mounting Ring: 1967B - up to 2" thick ceilings.

Labels

UL (Suitable for Damp Locations), I.B.E.W.
Romex® is a registered Trademark of General Cable Industries Inc.

