



PROJECT	DATE
TYPE	CATALOG #

## MASONRY LIGHT 7

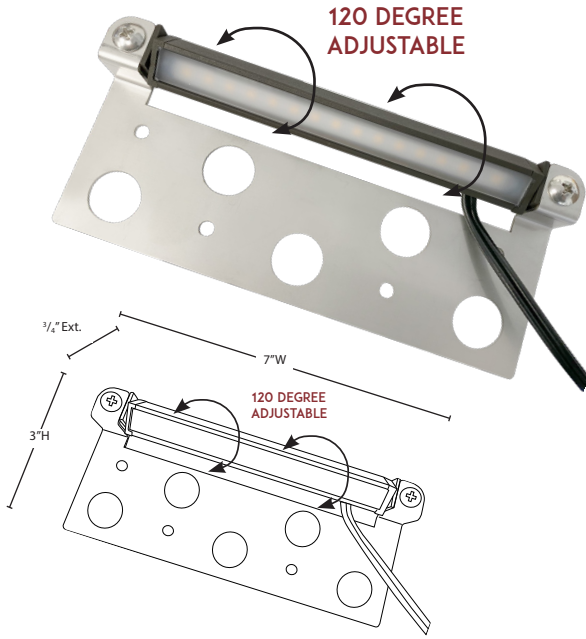
### LED-ML-7-ADJ

#### KEY FEATURES

- ADJUSTABLE LED FOR PRECISE AIMING (120 DEGREE)
- IDEAL FOR COLUMNS, RETAINING WALLS & BENCHES
- FIELD REPLACEABLE LED
- HEAVY DUTY REMOVEABLE STAINLESS STEEL MASONRY BRACKET
- CAN BE USED WITHOUT BRACKET
- DOT FREE ILLUMINATION

#### PRODUCT SPECIFICATION

MATERIAL	ALUMINUM
LENS	FROSTED ACRYLIC
FINISH	BRONZE
WATTAGE	1.2W
LUMENS	80
VOLTAGE	11-13V AC/DC
LIGHT SPREAD	4-6 FT AVG
LEAD WIRE	71" SPT-2
DIMMABLE	YES*
ROTATION	120°



#### FIXTURE CONFIGURATION

**LED-ML-7-ADJ**

KELVIN TEMPERATURE

27K 2700K  
30K 3000K



COMPLETE UNIT  
MASONRY BRACKET INCLUDED

MODULE UNIT  
CAN BE INSTALLED WITHOUT  
BRACKET

\*PRIMARY SIDE DIMMING: Requires LED magnetic low voltage (MLV) or LED electronic low voltage (ELV) dimmable transformer and compatible LED dimmer (MLV OR ELV) For more information see installation guidelines + Fully tested with Lutron Diva (DVLV-600P) dimmer and Lightcraft dimmable transformers

\*LOW VOLTAGE SIDE DIMMING: Requires Lightcraft 12V In Line Dimmer

\* Lumens calculated at 3000K  
(-5% for 2700K)