



PROJECT	DATE
TYPE	CATALOG #

# SCOOP TOP

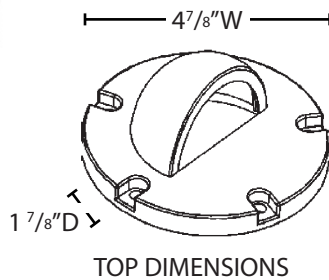
ADJUSTABLE IN GROUND  
IG-63-02B

## KEY FEATURES

- HEAVY CAST BRASS TOP
- SCOOP TOP FOR HORIZONTAL LIGHT OUTPUT
- WATER TIGHT RUBBER GASKET
- SILICONE PLUG AT WIRE LEAD
- TEMPERED, SHOCK AND HEAT RESISTENT LENS
- 25°ADJUSTABLE LAMP POSITION
- HIGH TEMPERATURE CERAMIC SOCKET
- FIELD REPLACEABLE LED LAMP
- DIMMABLE+

## PRODUCT SPECIFICATIONS

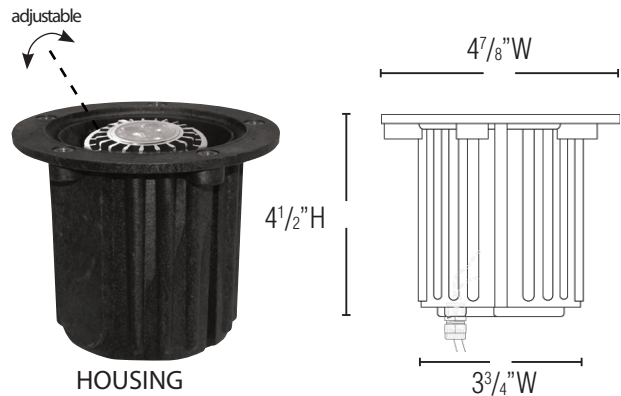
MATERIAL	CAST BRASS TOP / PVC BODY
FINISH	NATURAL BRONZE TOP
LENS	CLEAR FLAT TEMPERED
SOCKET	BI PIN
LAMP	MR16
VOLTAGE	12V
PROJECTION	UP TO 15 FT
LEAD WIRE	38"



## LED LAMP CONFIGURATION

<b>LED-MR16</b>	
LED WATTAGE	
3.5W	250 LM
4.5W	350 LM
5.5W	430 LM
KELVIN TEMPERATURE	
27K	2700K
30K	3000K

## HOUSING DETAILS



+Fully tested with Lutron Diva (DVLV-600P) dimmer and Lightcraft dimmable transformers and LED lamps.



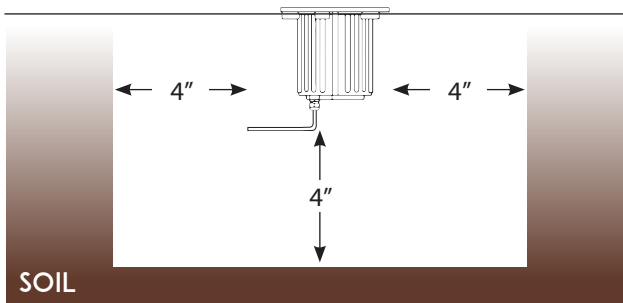
PROJECT	DATE
TYPE	CATALOG #

## INSTALLATION INSTRUCTIONS

### Pre-Installation Guidelines

All In Ground fixtures should be installed so that water will be able to drain away from the fixture. We recommend using pea gravel or sand as this will allow for superior drainage.

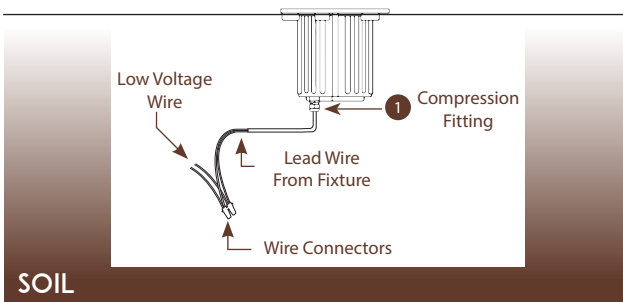
### 1 DIG HOLE



Dig hole approximately 1 ft. in diameter by 1 ft. deep.

Leave approximately 4 in. surrounding the fixture for sand or pea gravel.

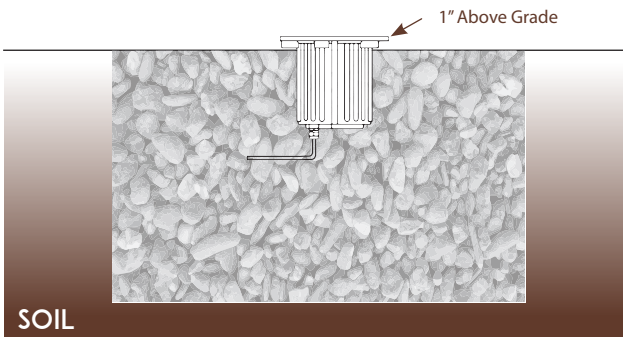
### 2 WIRE CONNECTION



Hand tighten compression fitting **1**  
(Do not use tools and do not over tighten)

Install your lead wire from fixture to your low voltage wire using silicone filled wire connectors.

### 3 FILL HOLE



Fill hole with pea gravel or sand.

Adjust the fixture so that the top edge is above the grade by 1".

Install LED lamp inside fixture. (Adjust gimble ring to desired angle)

Tighten the (5) screws on the face of the base, insuring the gasket has a complete seal.

For optimum performance: Do not cover or surround well light with any leaves, mulch, bark or other material that could cause a fire or damage the lens.