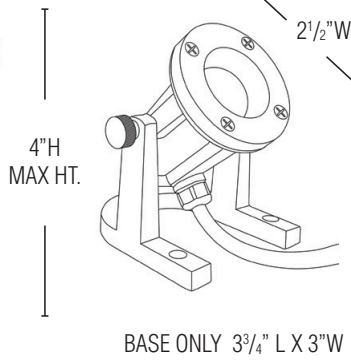




PROJECT	DATE
TYPE	CATALOG #



MARINER H20-402B

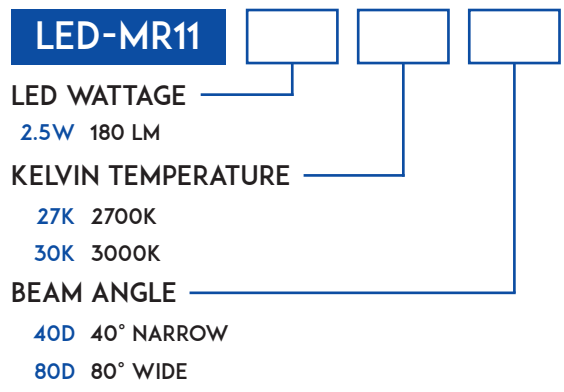
KEY FEATURES

- HEAVY CAST BRASS
- NATURAL BRONZE FINISH GUARANTEED NOT TO CHIP, FLAKE OR PEEL
- REMOVABLE STAND FOR LOW PROFILE INSTALL
- 25 FT UNDERWATER RATED SJ CABLE
- HIGH TEMPERATURE SOCKET

PRODUCT SPECIFICATION

DIMENSIONS	4"H X 2-1/2"W
MATERIAL	CAST BRASS
LENS	CLEAR FLAT TEMPERED
FINISH	NATURAL BRONZE
SOCKET	BI PIN
LAMP	MR11
VOLTAGE	12V AC/DC
LEAD WIRE	25 FT SJ WIRE
PROJECTION	UP TO 25 FT
MAX DEPTH	UP TO 6 FT

LED LAMP CONFIGURATION



ALTERNATIVE INSTALL OPTION



USE WITHOUT MOUNTING
BASE FOR LOW PROFILE
INSTALLATIONS

INSTALLATION NOTE: It is important to hand tighten and seal this fixture with silicone before placing the fixture into water. For added protection - Apply silicone around the outside of the front cap and the bottom cord exit.

+Fully tested with Lutron Diva (DVLV-600P) dimmer and Lightcraft dimmable transformers and LED lamps.

See MR11 LED Lamps Spec Sheet for additional details.