



PROJECT	DATE
TYPE	CATALOG #

LITTLE SMOKY

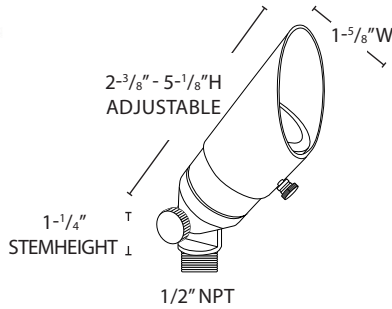
FL-104B

KEY FEATURES

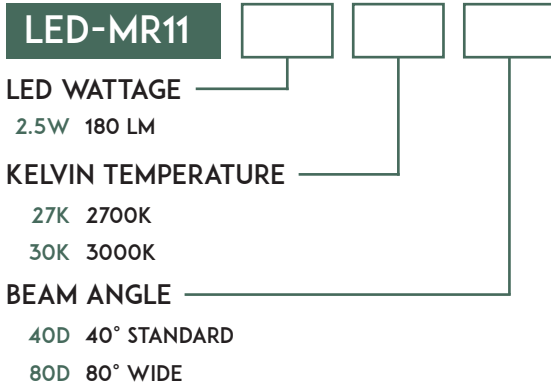
- FULLY ADJUSTABLE SHROUD FOR GLARE CONTROL
- CAST BRASS
- NATURAL BRONZE FINISH GUARANTEED NOT TO CHIP, FLAKE OR PEEL
- TEMPERED, SHOCK AND HEAT RESISTENT LENS
- HIGH TEMPERATURE CERAMIC SOCKET
- FIELD REPLACEABLE LED LAMP
- DIMMABLE+

PRODUCT SPECIFICATIONS

MATERIAL	CAST BRASS
LENS	CLEAR FLAT TEMPERED
SOCKET	BI PIN
LAMP	MR11
VOLTAGE	12V AC/DC
PROJECTION	UP TO 20 FT
LEAD WIRE	3 FT
MOUNTING	AX-800P STAKE INCLUDED



LED LAMP CONFIGURATION



NOTES

+ Dimmable: See [MR11 LED Lamps Spec Sheet](#) for additional details