



PROJECT	DATE
TYPE	CATALOG #

# E17 ARCHITECTURAL STRING

## BK-E17

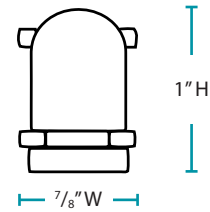


### STRING DIMENSIONS

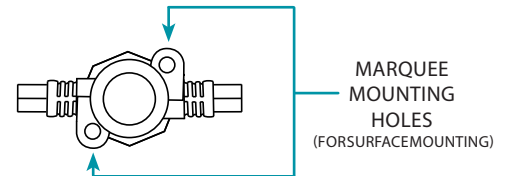


+ String and lamps are sold separately

### SOCKET DIMENSIONS



### SOCKET TOP VIEW



### KEY FEATURES

- UV RESISTANT MATERIALS
- PVC SOCKET FORMS A TIGHT WATER SEAL
- COMMERCIAL GRADE
- SPECIFY CUSTOM CUTS BY THE FOOT
- FIELD CUTABLE BETWEEN SOCKETS
- 2 YEAR LIMITED WARRANTY
- ETL LISTED
- INTENDED FOR LAMP-DOWN APPLICATIONS ONLY

\*Check with local building and safety inspectors for specific requirements

\*\*Lightcraft recommends the use of guy wire for runs of 35' or more

### PRODUCT SPECIFICATIONS

<b>MATERIAL</b>	SPT-2
<b>WIRE COLOR</b>	BLACK
<b>WIRE GAUGE</b>	16 AWG
<b>SOCKET</b>	E17 (INTERMEDIATE BASE)
<b>MAX WATTAGE</b>	15W PER SOCKET
<b>12V MAX RUN</b>	200 FT
<b>120V MAX RUN</b>	300 FT (1200 WATT MAX)
<b>SPACING</b>	15" BETWEEN SOCKETS
<b>VOLTAGE</b>	12V OR 120V
<b>12V WIRING</b>	DIRECT TO LOW VOLTAGE TRANSFORMER
<b>120V WIRING</b>	HARD WIRE OR SPECIFY POWER PLUG (PART: BK-PWR-MALE)
<b>CERTIFICATION</b>	ETL WET LOCATION



PROJECT	DATE
TYPE	CATALOG #

## G50 LAMPS (OUTDOOR/INDOOR RATED)



Lightcraft Outdoor's LED Filament Collection offers a dimmable 1W vintage style filament LED with an antique 2400K warm white light output. Available in 12VAC to easily integrate with your low voltage landscape lighting system. Also available in 120VAC.

12V FILAMENT LED



LED-BK-G50-1-12-FIL

- WATTAGE 1W
- KELVIN 2400K
- LUMENS 45
- DIMMABLE YES\*
- VOLTAGE 11V AC - 13V AC
- BASE INTERMEDIATE (E17)

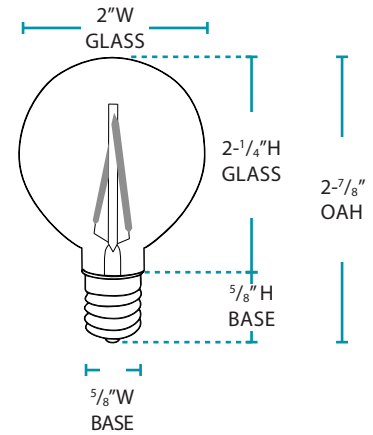
120V FILAMENT LED



LED-BK-G50-1-120-FIL

- WATTAGE 1W
- KELVIN 2400K
- LUMENS 100
- DIMMABLE YES
- VOLTAGE 120V AC
- BASE INTERMEDIATE (E17)

G50 LAMP DIMENSIONS

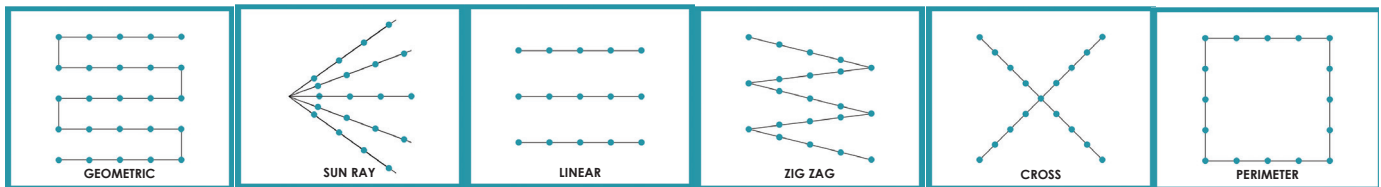


Dimensions for all G50 lamps on this page.

\*PRIMARY SIDE DIMMING: Requires LED magnetic low voltage (MLV) or LED electronic low voltage (ELV) dimmable transformer and compatible LED dimmer (MLV OR ELV) For more information see installation guidelines  
 + Fully tested with Lutron Diva (DVLV-600P) dimmer and Lightcraft dimmable transformers

\*LOW VOLTAGE SIDE DIMMING: Requires Lightcraft 12V In Line Dimmer

## DESIGN IDEAS (POSTS, POLES, HOOKS NOT SUPPLIED)





PROJECT	DATE
TYPE	CATALOG #

## SUBMITTAL SHEET

### STEP 1

#### FIXTURE CONFIGURATION

LENGTH	MODEL
<input style="width: 100px; height: 20px;" type="text"/> ft.	<input style="width: 150px; height: 20px;" type="text"/>
Specify per foot	BK-E17 Intermediate Socket

#### STANDARD STRING CUT

- All bistro string comes in Black finish.
- Each string has 1ft. before the first socket with a pigtail for hard wire (12v or 120v).
- Each string has 1ft. after the last socket with a sealed looped end. FOR ADDITIONAL 12V LEAD (BK-LEAD) OR 120V POWER PLUG (BK-PWR-MALE) PLEASE SPECIFY IN STEP 2

### STEP 2

#### LEAD CONFIGURATION

MODEL	LEAD LENGTH
<input style="width: 150px; height: 20px;" type="text"/>	<input style="width: 50px; height: 20px;" type="text"/> ft.
BK-LEAD Lead Wire (per ft.) BK-PWR-MALE 8 ft. Male Plug	Specify per foot for BK-LEAD

#### LEAD ORDERING INFO

- All leads and power plugs are factory sealed and installed
- BK-PWR-MALE is for 120V installs at receptacles FOR ADDITIONAL 12V LEAD (BK-LEAD) OR 120V POWER PLUG (BK-PWR-MALE) PLEASE SPECIFY IN STEP 2

### STEP 3

#### LAMP CONFIGURATION

QTY	MODEL
<input style="width: 50px; height: 20px;" type="text"/>	<input style="width: 250px; height: 20px;" type="text"/>
<u>12V OPTIONS</u> LED-BK-G50-1-12-FIL 1W Filament LED - 2400K	
<u>120V OPTIONS</u> LED-BK-G50-1-120-FIL 1W Filament LED - 2400K	

#### LAMP QUANTITY CALCULATION

1. Enter how many linear feet of string you are ordering.
2. Multiply by 12 (inches in a foot) and divide by 15 (inches per socket)
3. This will give you the amount of lamps you need.  
(Note: Recommended to order a few extra lamps per run)

$$\frac{\text{String Ordered (ft.)} \times 12 \text{ (Inches (Per ft.))}}{15 \text{ (Socket Spacing (Inches))}} = \text{Lamps Needed}$$