



PROJECT	DATE
TYPE	CATALOG #

PITCHED PATH

PATH / WASH LIGHT

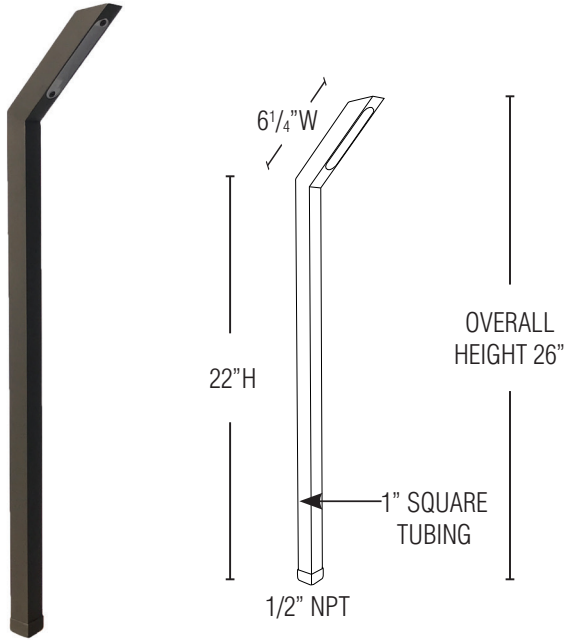
AP-310B

KEY FEATURES

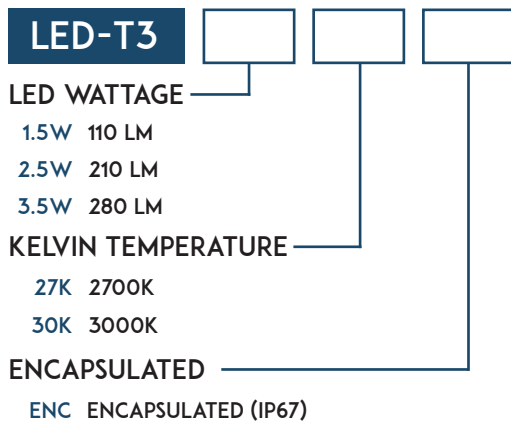
- SOLID BRASS
- CONTEMPORARY DESIGN
- NATURAL BRONZE FINISH GUARANTEED NOT TO CHIP, FLAKE OR PEEL
- TEMPERED, SHOCK AND HEAT RESISTENT LENS
- HIGH TEMPERATURE CERAMIC SOCKET
- FIELD REPLACEABLE LED LAMP
- LIFETIME WARRANTY ON BRASS MATERIAL
- DIMMABLE+

PRODUCT SPECIFICATION

MATERIAL	SOLID BRASS
FINISH	NATURAL BRONZE
LENS	FROST
SOCKET	BI-PIN
LAMP	T3/G4
VOLTAGE	12V
LIGHT SPREAD	6-8 FT AVG
LEAD WIRE	3 FT
MOUNTING	AX-800P STAKE INCLUDED



LED LAMP CONFIGURATION



NOTES

+ Dimmable: +Fully tested with Lutron Diva (DVLV-600P) dimmer and Lightcraft dimmable transformers and LED lamps.

See [Encapsulated T3 LED Lamps Spec Sheet](#) for additional details (1.5w, 2.5w, 3.5w only)