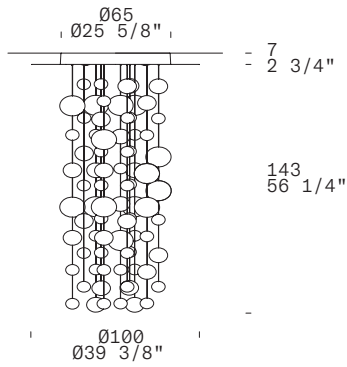


ETHER S 150 - INDOOR

Patrick Jouin, 2006



TECHNICAL SHEET

MATERIALS Diffuser: Handmade Borosilicate Blown Glass
Structure: Steel

DIMENSIONS & WEIGHT Diffuser: Ø39 3/8" H 56" 1/4" [Ø100cm H 143cm]
Canopy: Ø25 5/8" H 2 3/4" [Ø65cm H 7cm]
Weight: 81,1 lbs

FINISHES (DIFFUSER / STRUCTURE) Transparent / Polished Steel

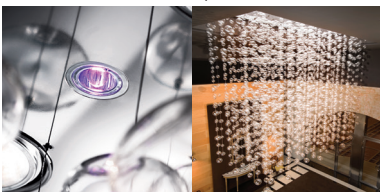


LIGHT SOURCE G53 4 x 15W Retrofit LED
G53 4 x 15W Retrofit LED
+ GU5,3 1 x 8W Retrofit LED RGB 660 1m
Voltage: 100/277V

CERTIFICATIONS DRY LOCATION  

ON REQUEST Special Versions

RGB LED version Special version



North America

LEUCOS®

FINISH	SOURCE	CODE	QTY	TYPE
Transparent / Polished Steel	G53	0010062		
Transparent / Polished Steel	G53 + GU5,3*	0010063		
NOTE	* GU5,3 LED WITH RGB + REMOTE CONTROL (USABLE UNTIL 5M)			

PROJECT NAME	
SPECIFIER NAME	

We reserve the right to change our product specifications.
Please visit www.leucos.com for the latest product information

11 Mayfield Avenue
Edison, New Jersey 08837 - USA
Tel 001 732 225-0010

<https://www.leucos.com>
info.us@leucos.com