

Specifically designed to blend high performance LED technology with versatile options to suit any area, **VersaForm** allows you to enjoy the latest LED energy efficiencies in concert with your unique style, and as your needs evolve, it's simple to change or upgrade with our unique detachable light engine.

Project: \_\_\_\_\_  
 Location: \_\_\_\_\_  
 Cat.No: \_\_\_\_\_  
 Type: \_\_\_\_\_  
 Line ID: \_\_\_\_\_ Qty: \_\_\_\_\_  
 Notes: \_\_\_\_\_

Ordering guide

example: 4122D1STL8BDS7DE

Family	Size	Version	Configuration	Source	CRI/CCT <sup>1</sup>	Lumens <sup>1</sup>	Housing	Wiring <sup>2</sup>	Voltage	Driver	Option
<b>41</b>			<b>ST</b>	<b>L</b>						<b>E</b>	
<b>41</b> VersaForm	<b>22</b> 2'x2'	<b>D1</b> Standard T-Grid	<b>ST</b> Standalone	<b>L</b> LED	<b>8A</b> 80CRI/4000K	<b>D</b> 4000lm	<b>S</b> Standard <b>C</b> Chicago Plenum	<b>7</b> 1cct Dimming <b>N</b> 1cct Dimming + EM Batt. Pack <b>T</b> 1cct Step Dimming	<b>D</b> UNV 120-277V <b>3</b> 347V	<b>E</b> Advance 0-10V (1% Dim)	<b>P</b> Flex Whip (6') <b>D</b> Drywall Trim Kit  If no option is required, leave blank
	<b>14</b> 1'x4'	<b>D2</b> Slot T-Grid			<b>8B</b> 80CRI/3500K	<b>E</b> 3000lm					
	<b>24</b> 2'x4'	<b>A1</b> Air Return on Standard T-Grid <b>A2</b> Air Return on Slot T-Grid <b>S1</b> Discrete Surface Mount			<b>8C</b> 80CRI/3000K <b>9B</b> 90CRI/3500K	<b>A</b> 6800lm <b>C</b> 5200lm <b>D</b> 4000lm					

1. Nominal values within a range. Consult photometry data for CRI, color temp, lumens & distribution of chosen configuration.
2. Not all wiring types are available with all configurations. Consult Ledalite for a complete list of available options.
3. Drywall Kits and Flex Whips are not available with "S1" Discrete Surface Mount luminaires.



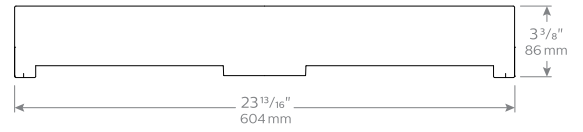
# VersaForm recessed

2'x2', 1'x4' & 2'x4'

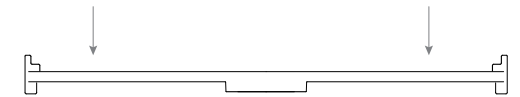
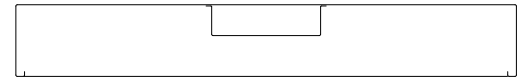
2'x2'



Cross Section View



Housing

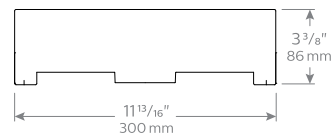


Light Engine

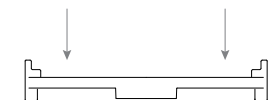
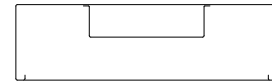
1'x4'



Cross Section View



Housing

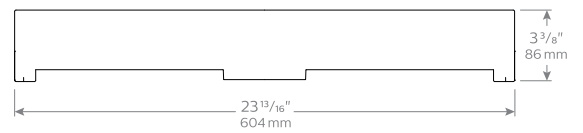


Light Engine

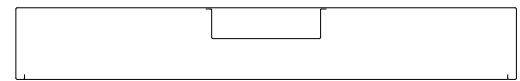
2'x4'



Cross Section View



Housing



Light Engine

# VersaForm recessed

2'x2', 1'x4' & 2'x4'

## Specifications

### Optical System

The optical frame assembly consists of integrated LED arrays edge lighting a light guide panel in order to deliver uniform controlled light through a lower lens. The optical frame ends are constructed from die-formed cold-rolled steel, assembled together with extruded aluminum profiles in a sturdy frame. The frame is hinged (side marked) to allow easy access to the inside of the fixture. Maintenance can be performed from below the ceiling.

### Finish

Housing and frame painted, high quality, powder coated matte white only.

### Housing

Die-formed, post painted, 22 gauge cold-rolled steel. Wire entrance with additional knock-out available on top side for electrical connections.

### Weight

Maximum 28lbs (2x4); 21lbs (1x4); 15lbs (2x2).

### Electrical

Factory pre-wired with driver safety disconnect.

### Mounting

Recessed: Fixtures can be fastened directly to the T-bar grid and/or tied-off to the building structure. Optional drywall kit trim mount can be fastened to a wood frame or with hangar wire. Continuous row mounting not available with drywall kit trim mounts.

Surface: Fixtures can be mounted over recessed junction box and side entry also available.

### Standard Driver

Advance Xitanium 0-10V, 1-100%, Class 2 rated output. Consult Ledalite for other available drivers.

### Standard Battery Pack

Bodine, 90 min, 10W, Class 2 rated output, Emergency lumen output = 10W x luminaire efficacy x 1.1. Typical output: 1100lm.

### Lumen Maintenance

LEDs have been tested by the manufacturer in accordance with IESNA LM-80-08. At an ambient temperature of 25°C, the LED lumen maintenance expectation according to IES TM-21-11 is: L90 (9k) >54,000 hrs (Reported methodology). L80 (9k) 145,000 hrs (Projected methodology).

### Source Color

LEDs rated for color rendering CRI >80, R9 >0 and fixture to fixture color accuracy within 3 SDCM.

### QuickShip

Available for certain configurations upon request.

### Wiring

Recessed: Optional flex whips are supplied in 6' lengths.

Surface: Standard wiring configurations available.

### Approvals

Certified to UL, CSA, and IES standards. City of Chicago Approved CCEA (housing option C). Certain non-surface mount versions without battery packs are DesignLights Consortium® qualified. Please see the DLC QPL list for exact catalog numbers ([www.designlights.org/QPL](http://www.designlights.org/QPL)).

### Warranty

Five-year luminaire limited warranty including LED boards and driver. [www.signify.com/warranties](http://www.signify.com/warranties).

### Environment

Rated for dry & damp locations in operating ambient temperatures of 0-25°C (32-77°F). Many luminaire components, such as reflectors, refractors, lenses, and LEDs are made from various types of plastics which can be adversely affected by airborne contaminants. If sulfur based chemicals, petroleum based products, cleaning solutions, or other contaminants are expected in the intended area of use, consult factory for compatibility. Damage caused by sulfur, chlorine, petroleum based solution or other contaminants are not covered under warranty.

# VersaForm recessed

2'x2', 1'x4' & 2'x4'

## Photometrics

2'x2'

Spacing Criteria: 1.36/1.63

(Click "PDF" and "IES" text to Download)

Lumen Package	Nominal CRI & CCT	Flux (lm)	Watts (W)	Efficacy (LPW)	CRI	R9	DLC*	Photometry Report	IES File
4000lm	80CRI, 4000K	3806	36.2	105.1	82	11	Standard	<a href="#">PDF</a>	<a href="#">IES</a>
	80CRI, 3500K	3663	36.1	101.5	82	6	N/A	<a href="#">PDF</a>	<a href="#">IES</a>
	80CRI, 3000K	3569	36.1	98.9	81	3	Standard	<a href="#">PDF</a>	<a href="#">IES</a>
	90CRI, 3500K	3645	43.9	83.0	92	76	N/A	<a href="#">PDF</a>	<a href="#">IES</a>
3000lm	80CRI, 4000K	2844	28.0	101.6	82	11	Standard	<a href="#">PDF</a>	<a href="#">IES</a>
	80CRI, 3500K	2739	27.9	98.2	82	6	N/A	<a href="#">PDF</a>	<a href="#">IES</a>
	80CRI, 3000K	2666	27.9	95.6	81	3	Standard	<a href="#">PDF</a>	<a href="#">IES</a>
	90CRI, 3500K	2806	32.5	86.3	92	76	N/A	<a href="#">PDF</a>	<a href="#">IES</a>

\*Configurations with EM Batt. Pack options are not DLC eligible.

CANDELA DISTRIBUTION						Flux
	0	22.5	45	67.5	90	Lumens
0	781	781	781	781	781	
5	781	782	783	784	785	75
15	771	778	793	808	815	225
25	745	760	796	837	855	369
35	687	709	767	832	861	482
45	588	613	679	753	789	526
55	453	473	531	595	629	477
65	302	315	351	395	416	351
75	152	158	175	196	207	188
85	35	36	37	41	44	46
90	0	0	0	0	0	
95	0	0	0	0	0	0
105	0	0	0	0	0	0
115	0	0	0	0	0	0
125	0	0	0	0	0	0
135	0	0	0	0	0	0
145	0	0	0	0	0	0
155	0	0	0	0	0	0
165	0	0	0	0	0	0
175	0	0	0	0	0	0
180	0	0	0	0	0	0

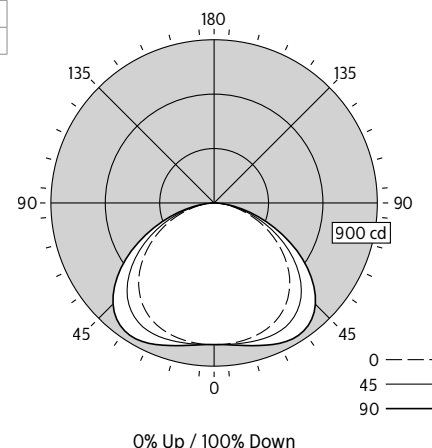
\*Photometric data shown is for 3000lm, 3500K, 80 CRI configuration.

COEFFICIENTS OF UTILIZATION (%)											
Pc---	80				70			50			0
Pw---	70	50	30	10	70	50	30	50	30	10	0
RCR											
0	119	119	119	119	116	116	116	111	111	111	100
1	109	104	99	96	106	101	98	97	94	91	83
2	98	90	83	77	96	88	82	85	79	75	69
3	89	79	70	64	87	77	69	74	67	62	58
4	82	69	60	53	79	68	60	65	58	52	49
5	75	62	52	46	73	61	52	58	51	45	42
6	69	55	46	40	67	54	46	52	45	39	36
7	64	50	41	35	62	49	41	48	40	34	32
8	59	45	37	31	58	45	36	43	36	30	28
9	55	41	33	27	54	41	33	40	32	27	25
10	52	38	30	25	50	38	30	37	29	24	22

ZONAL LUMEN SUMMARY			
Zone	Lumens	%Fixture	%Lamp
0-30	668	24.4%	24.4%
0-40	1150	42.0%	42.0%
0-60	2153	78.6%	78.6%
0-90	2739	100.0%	100.0%
90-130	0	0.0%	0.0%
90-150	0	0.0%	0.0%
90-180	0	0.0%	0.0%
0-180	2739	100.0%	100.0%

Electrical				
120V: P, I, THD, PF	27.9	0.233	6.6	0.998
277V: P, I, THD, PF	27.3	0.104	13.0	0.948
347V: P, I, THD, PF	N/A	N/A	N/A	N/A

AVG LUMINANCE (cd/m²)			
	0	45	90
0	2538	2538	2538
5	2547	2553	2560
15	2592	2665	2741
25	2669	2854	3062
35	2723	3042	3414
45	2702	3120	3623
55	2562	3008	3560
65	2318	2700	3197
75	1904	2198	2598
85	1292	1396	1641



# VersaForm recessed

## 2'x2', 1'x4' & 2'x4'

### Photometrics

1'x4'

Spacing Criteria: 1.39/1.70

(Click "PDF" and "IES" text to Download)

Lumen Package	Nominal CRI & CCT	Flux (lm)	Watts (W)	Efficacy (LPW)	CRI	R9	DLC*	Photometry Report	IES File
4000lm	80CRI, 4000K	3896	35.1	111.0	83	12	Standard	<a href="#">PDF</a>	<a href="#">IES</a>
	80CRI, 3500K	3629	35.0	103.7	82	6	Standard	<a href="#">PDF</a>	<a href="#">IES</a>
	80CRI, 3000K	3536	35.0	101.0	81	4	Standard	<a href="#">PDF</a>	<a href="#">IES</a>
	90CRI, 3500K	3597	42.5	84.6	92	77	N/A	<a href="#">PDF</a>	<a href="#">IES</a>
3000lm	80CRI, 4000K	2938	26.9	109.2	83	12	Standard	<a href="#">PDF</a>	<a href="#">IES</a>
	80CRI, 3500K	2735	26.8	102.1	82	6	Standard	<a href="#">PDF</a>	<a href="#">IES</a>
	80CRI, 3000K	2665	26.8	99.4	81	4	Standard	<a href="#">PDF</a>	<a href="#">IES</a>
	90CRI, 3500K	2729	31.6	86.4	92	77	N/A	<a href="#">PDF</a>	<a href="#">IES</a>

\*Configurations with EM Batt. Pack options are not DLC eligible.

	CANDELA DISTRIBUTION					Flux Lumens
	0	22.5	45	67.5	90	
0	739	739	739	739	739	
5	738	737	742	744	743	71
15	732	737	753	768	773	214
25	714	725	766	806	822	354
35	666	687	752	822	851	472
45	578	604	681	765	802	527
55	453	476	542	616	650	487
65	307	321	363	411	435	363
75	160	166	185	206	216	198
85	42	41	43	43	40	50
90	0	0	0	0	0	
95	0	0	0	0	0	0
105	0	0	0	0	0	0
115	0	0	0	0	0	0
125	0	0	0	0	0	0
135	0	0	0	0	0	0
145	0	0	0	0	0	0
155	0	0	0	0	0	0
165	0	0	0	0	0	0
175	0	0	0	0	0	0
180	0	0	0	0	0	0

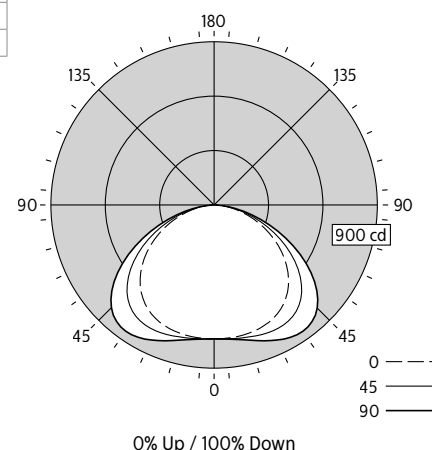
\*Photometric data shown is for 3000lm, 3500K, 80 CRI configuration.

Pc---	COEFFICIENTS OF UTILIZATION (%)											
	80				70				50			
Pw---	70	50	30	10	70	50	30	50	30	10	0	0
RCR												
0	119	119	119	119	116	116	116	111	111	111	100	
1	108	103	99	95	106	101	97	97	94	91	83	
2	98	90	83	77	95	88	81	84	79	74	68	
3	89	78	70	63	87	77	69	73	67	61	57	
4	81	69	60	53	79	67	59	65	57	52	48	
5	74	61	52	45	72	60	51	58	50	44	41	
6	68	55	45	39	66	54	45	52	44	38	35	
7	63	49	40	34	61	48	40	47	39	33	31	
8	59	45	36	30	57	44	36	43	35	30	27	
9	55	41	32	27	53	40	32	39	32	26	24	
10	51	38	29	24	50	37	29	36	29	24	22	

ZONAL LUMEN SUMMARY			
Zone	Lumens	%Fixture	%Lamp
0-30	639	23.4%	23.4%
0-40	1111	40.6%	40.6%
0-60	2124	77.7%	77.7%
0-90	2735	100.0%	100.0%
90-130	0	0.0%	0.0%
90-150	0	0.0%	0.0%
90-180	0	0.0%	0.0%
0-180	2735	100.0%	100.0%

Electrical				
120V: P, I, THD, PF	26.8	0.224	6.9	0.996
277V: P, I, THD, PF	26.3	0.101	13.1	0.944
347V: P, I, THD, PF	N/A	N/A	N/A	N/A

	AVG LUMINANCE (cd/m <sup>2</sup> )		
	0	45	90
0	2515	2515	2515
5	2521	2534	2537
15	2581	2653	2722
25	2680	2876	3087
35	2768	3124	3535
45	2784	3278	3862
55	2691	3216	3859
65	2472	2923	3501
75	2110	2429	2846
85	1640	1676	1567



# VersaForm recessed

## 2'x2', 1'x4' & 2'x4'

### Photometrics

2'x4'

Spacing Criteria: 1.38/1.69

(Click "PDF" and "IES" text to Download)

Lumen Package	Nominal CRI & CCT	Flux (lm)	Watts (W)	Efficacy (LPW)	CRI	R9	DLC*	Photometry Report	IES File
6800lm	80CRI, 4000K	6780	62.0	109.4	82	11	N/A	<a href="#">PDF</a>	<a href="#">IES</a>
	80CRI, 3500K	6610	61.6	107.3	82	6	N/A	<a href="#">PDF</a>	<a href="#">IES</a>
	80CRI, 3000K	6403	61.6	103.9	81	3	N/A	<a href="#">PDF</a>	<a href="#">IES</a>
	90CRI, 3500K	6387	73.5	86.9	92	77	N/A	<a href="#">PDF</a>	<a href="#">IES</a>
5200lm	80CRI, 4000K	5212	46.2	112.8	82	11	Standard	<a href="#">PDF</a>	<a href="#">IES</a>
	80CRI, 3500K	5079	45.9	110.7	82	6	Standard	<a href="#">PDF</a>	<a href="#">IES</a>
	80CRI, 3000K	4925	45.9	107.3	81	4	N/A	<a href="#">PDF</a>	<a href="#">IES</a>
	90CRI, 3500K	4860	53.9	90.2	92	77	N/A	<a href="#">PDF</a>	<a href="#">IES</a>
4000lm	80CRI, 4000K	4050	35.1	115.4	82	11	Standard	<a href="#">PDF</a>	<a href="#">IES</a>
	80CRI, 3500K	3949	34.9	113.2	82	6	Standard	<a href="#">PDF</a>	<a href="#">IES</a>
	80CRI, 3000K	3827	34.9	109.7	81	4	Standard	<a href="#">PDF</a>	<a href="#">IES</a>
	90CRI, 3500K	3945	42.4	93.0	92	77	N/A	<a href="#">PDF</a>	<a href="#">IES</a>

\*Configurations with EM Batt. Pack options are not DLC eligible.

CANDELA DISTRIBUTION						Flux
	0	22.5	45	67.5	90	Lumens
0	1075	1075	1075	1075	1075	
5	1073	1077	1079	1081	1083	103
15	1064	1075	1096	1117	1128	311
25	1033	1057	1112	1170	1197	515
35	960	998	1087	1186	1230	682
45	834	875	979	1095	1149	758
55	651	687	778	879	925	698
65	441	462	521	587	618	520
75	232	240	267	299	311	287
85	59	59	62	68	69	75
90	0	0	0	0	0	
95	0	0	0	0	0	0
105	0	0	0	0	0	0
115	0	0	0	0	0	0
125	0	0	0	0	0	0
135	0	0	0	0	0	0
145	0	0	0	0	0	0
155	0	0	0	0	0	0
165	0	0	0	0	0	0
175	0	0	0	0	0	0
180	0	0	0	0	0	0

\*Photometric data shown is for 4000lm, 3500K, 80 CRI configuration.

COEFFICIENTS OF UTILIZATION (%)													
Pc---	80				70				50				0
Pw---	70	50	30	10	70	50	30	50	30	10	0	0	
RCR													
0	119	119	119	119	116	116	116	111	111	111	100		
1	108	103	99	95	106	101	97	97	94	91	83		
2	98	90	83	77	95	88	81	84	79	74	68		
3	89	78	70	63	87	77	69	74	67	61	57		
4	81	69	60	53	79	67	59	65	57	52	48		
5	74	61	52	45	72	60	51	58	50	44	41		
6	68	55	45	39	66	54	45	52	44	38	35		
7	63	49	40	34	61	48	40	47	39	34	31		
8	59	45	36	30	57	44	36	43	35	30	27		
9	55	41	32	27	53	40	32	39	32	27	24		
10	51	38	29	24	50	37	29	36	29	24	22		

ZONAL LUMEN SUMMARY			
Zone	Lumens	%Fixture	%Lamp
0-30	929	23.5%	23.5%
0-40	1611	40.8%	40.8%
0-60	3067	77.7%	77.7%
0-90	3949	100.0%	100.0%
90-130	0	0.0%	0.0%
90-150	0	0.0%	0.0%
90-180	0	0.0%	0.0%
0-180	3949	100.0%	100.0%

Electrical				
120V: P, I, THD, PF	34.9	0.295	14.7	0.986
277V: P, I, THD, PF	34.8	0.140	18.5	0.897
347V: P, I, THD, PF	N/A	N/A	N/A	N/A

AVG LUMINANCE (cd/m <sup>2</sup> )			
	0	45	90
0	1663	1663	1663
5	1666	1675	1681
15	1703	1754	1806
25	1761	1896	2043
35	1813	2052	2322
45	1823	2140	2511
55	1756	2097	2494
65	1612	1905	2261
75	1386	1596	1858
85	1038	1107	1228

