

Specifically designed to blend high performance LED technology with versatile options to suit any area, **VersaForm** allows you to enjoy the latest LED energy efficiencies in concert with your unique style, and as your needs evolve, it's simple to change or upgrade with our unique detachable light engine.

Project: _____
 Location: _____
 Cat.No: _____
 Type: _____
 Line ID: _____ Qty: _____
 Notes: _____

Ordering guide

example: 4122D1STL8BDS7DE

Family	Size	Version	Configuration	Source	CRI/CCT ¹	Lumens ¹	Housing	Wiring ²	Voltage ²	Driver ²	Option ³
41			ST	L							
41 VersaForm	22 2'x2'	D1 Standard T-Grid	ST Standalone	L LED	8A 80CRI/4000K	D 4000lm	S Standard C Chicago Plenum	7 1cct Dimming N 1cct Dimming + Battery Pack T 1cct Step Dimming	D UNV 120-277V 3 347V	E Advance 0-10V (1% Dim) H Lutron EcoSystem LDE1	P Flex Whip (6') D Drywall Trim Kit
	14 1'x4'	D2 Slot T-Grid			8B 80CRI/3500K	E 3000lm					
	24 2'x4'	A1 Air Return on Standard T-Grid A2 Air Return on Slot T-Grid S1 Discrete Surface Mount			8C 80CRI/3000K 9B 90CRI/3500K	A 6800lm C 5200lm D 4000lm					

- Nominal values within a range. Consult photometry data for CRI, color temp, lumens & distribution of chosen configuration.
- Not all wiring types are available with all configurations. Consult Ledalite for a complete list of available options.
- Drywall Kits and Flex Whips are not available with "S1" Discrete Surface Mount luminaires.

If no option is required, leave blank.

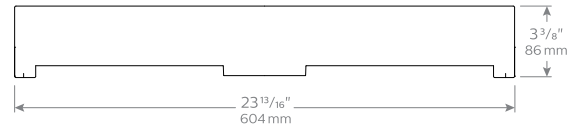
VersaForm recessed & surface

2'x2', 1'x4' & 2'x4'

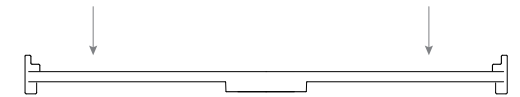
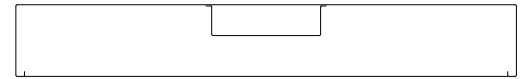
2'x2'



Cross Section View



Housing

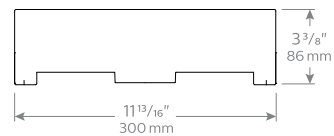


Light Engine

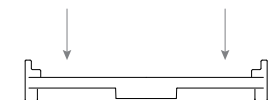
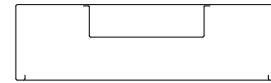
1'x4'



Cross Section View



Housing

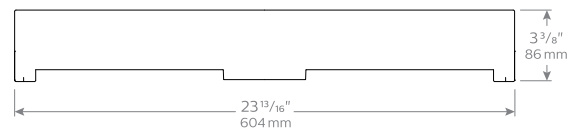


Light Engine

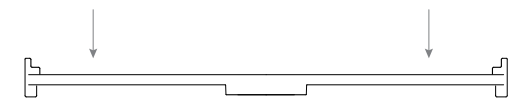
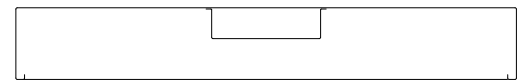
2'x4'



Cross Section View



Housing



Light Engine

VersaForm recessed & surface

2'x2', 1'x4' & 2'x4'

Specifications

Optical System

The optical frame assembly consists of integrated LED arrays edge lighting a light guide panel in order to deliver uniform controlled light through a lower lens. The optical frame ends are constructed from die-formed cold-rolled steel, assembled together with extruded aluminum profiles in a sturdy frame. The frame is hinged (side marked) to allow easy access to the inside of the fixture. Maintenance can be performed from below the ceiling.

Finish

Housing and frame painted, high quality, powder coated matte white only.

Housing

Die-formed, post painted, 22 gauge cold-rolled steel. Wire entrance with additional knock-out available on top side for electrical connections.

Weight

Maximum 28lbs (2x4); 21lbs (1x4); 15lbs (2x2).

Electrical

Factory pre-wired with driver safety disconnect.

Mounting

Recessed: Fixtures can be fastened directly to the T-bar grid and/or tied-off to the building structure. Optional drywall kit trim mount can be fastened to a wood frame or with hangar wire. Continuous row mounting not available with drywall kit trim mounts.

Surface: Fixtures can be mounted over recessed junction box and side entry also available.

Standard Driver

- Advance Xitanium 0-10V, 1-100%
- Advance Step-Dim 50/100%
- Lutron EcoSystem LDE1 with Soft-on, Fade-to-Black, 1-100%

Class 2 rated output.

Consult Ledalite for other available drivers.

Standard Battery Pack

Bodine, 90 min, 10W, Class 2 rated output, Battery Pack lumen output = 10W x luminaire efficacy x 1.1. Typical output: 1200lm.

Lumen Maintenance

LEDs have been tested by the manufacturer in accordance with IESNA LM-80-08. At an ambient temperature of 25°C, the LED lumen maintenance expectation according to IES TM-21-11 is: L90(10K) >60,000 hrs (reported methodology). L80(10K) 128,000 hrs (calculated methodology).

Source Color

LEDs rated for color rendering CRI >80, R9 >0 and fixture to fixture color accuracy within 3 SDCM. Available 90 CRI option is rated for CRI >90, and R9 >50.

QuickShip

Available for certain configurations upon request. Visit www.signify.com/en-us/brands/ledalite/quickship for more information

Wiring

Recessed: Optional flex whips are supplied in 6' lengths.

Surface: Standard wiring configurations available.

Approvals

Certified to UL, CSA, and IES standards. City of Chicago Approved CCEA (housing option C). Certain non-surface mount versions without battery packs are DesignLights Consortium® qualified. Please see the DLC QPL list for exact catalog numbers (www.designlights.org/QPL).

Warranty

Five-year luminaire limited warranty including LED boards and driver. See www.signify.com/warranties for details.

Environment

Rated for dry & damp locations in operating ambient temperatures of 0-25°C (32-77°F). Many luminaire components, such as reflectors, refractors, lenses, and LEDs are made from various types of plastics which can be adversely affected by airborne contaminants. If sulfur based chemicals, petroleum based products, cleaning solutions, or other contaminants are expected in the intended area of use, consult factory for compatibility. Damage caused by sulfur, chlorine, petroleum based solution or other contaminants are not covered under warranty.

VersaForm recessed & surface

2'x2', 1'x4' & 2'x4'

Photometrics

2'x2'

Spacing Criteria: 1.32/1.57

(Click "PDF" and "IES" text to Download)

Lumen Package	Nominal CRI & CCT	Flux (lm)	Watts (W)	Efficacy (LPW)	CRI	R9	DLC*	Photometry Report	IES File
4000lm	80CRI, 4000K	3926	33.6	116.8	82	11	Standard	PDF	IES
	80CRI, 3500K	3871	33.5	115.6	82	6	N/A	PDF	IES
	80CRI, 3000K	3720	33.4	111.4	81	3	Standard	PDF	IES
	90CRI, 3500K	3927	41.6	94.4	92	76	N/A	PDF	IES
3000lm	80CRI, 4000K	3102	25.8	120.2	82	11	Standard	PDF	IES
	80CRI, 3500K	3058	25.8	118.5	82	6	N/A	PDF	IES
	80CRI, 3000K	2940	25.8	114.0	81	3	Standard	PDF	IES
	90CRI, 3500K	2915	29.4	99.1	92	76	N/A	PDF	IES

*Configurations with Battery Pack options and Lutron EcoSystem drivers are not DLC eligible.

CANDELA DISTRIBUTION						Flux
	0	22.5	45	67.5	90	Lumens
0	916	916	916	916	916	-
5	913	916	918	920	922	88
15	897	905	921	937	947	261
25	856	874	912	954	974	422
35	775	811	865	937	960	544
45	653	698	748	836	861	585
55	489	529	569	660	673	522
65	321	347	370	422	441	377
75	155	181	183	221	224	205
85	39	45	41	62	55	55
90	0	0	0	0	0	-
95	0	0	0	0	0	0
105	0	0	0	0	0	0
115	0	0	0	0	0	0
125	0	0	0	0	0	0
135	0	0	0	0	0	0
145	0	0	0	0	0	0
155	0	0	0	0	0	0
165	0	0	0	0	0	0
175	0	0	0	0	0	0
180	0	0	0	0	0	-

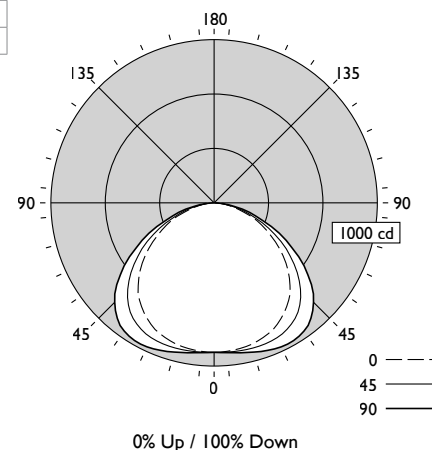
*Photometric data shown is for 3000lm, 3500K, 80 CRI configuration.

COEFFICIENTS OF UTILIZATION (%)												
Pc---	80				70			50			0	
Pw---	70	50	30	10	70	50	30	50	30	10	0	
RCR												
0	119	119	119	119	116	116	116	111	111	111	100	
1	109	104	100	96	106	102	98	97	94	91	84	
2	99	90	83	78	96	88	82	85	79	75	69	
3	90	79	71	64	87	77	70	74	68	62	58	
4	82	70	61	54	80	68	60	66	59	53	49	
5	75	62	53	46	73	61	52	59	51	45	42	
6	69	56	47	40	67	55	46	53	45	40	37	
7	64	50	41	35	62	50	41	48	40	35	32	
8	60	46	37	31	58	45	37	44	36	31	29	
9	56	42	34	28	54	41	33	40	33	28	26	
10	52	39	31	25	51	38	30	37	30	25	23	

ZONAL LUMEN SUMMARY			
Zone	Lumens	%Fixture	%Lamp
0-30	771	25.2%	25.2%
0-40	1315	43.0%	43.0%
0-60	2421	79.2%	79.2%
0-90	3058	100.0%	100.0%
90-130	0	0.0%	0.0%
90-150	0	0.0%	0.0%
90-180	0	0.0%	0.0%
0-180	3058	100.0%	100.0%

Electrical	Watts	Amps	THD%	PF
120V	25.8	0.218	10.5	0.990
277V	25.9	0.101	16.6	0.930
347V	25.8	0.078	9.9	0.947

AVG LUMINANCE (cd/m ²)			
	0	45	90
0	2976	2976	2976
5	2977	2994	3005
15	3015	3097	3183
25	3068	3268	3489
35	3075	3430	3805
45	2997	3438	3957
55	2772	3225	3812
65	2470	2841	3389
75	1942	2300	2815
85	1434	1522	2052



VersaForm recessed & surface

2'x2', 1'x4' & 2'x4'

Photometrics

1'x4'

Spacing Criteria: 1.34/1.53

(Click "PDF" and "IES" text to Download)

Lumen Package	Nominal CRI & CCT	Flux (lm)	Watts (W)	Efficacy (LPW)	CRI	R9	DLC*	Photometry Report	IES File
4000lm	80CRI, 4000K	4002	32.2	124.3	83	12	Standard	PDF	IES
	80CRI, 3500K	3943	32.2	122.5	82	6	Standard	PDF	IES
	80CRI, 3000K	3804	32.2	118.1	81	4	Standard	PDF	IES
	90CRI, 3500K	4001	39.9	100.3	92	77	N/A	PDF	IES
3000lm	80CRI, 4000K	3129	25.1	124.7	83	12	Standard	PDF	IES
	80CRI, 3500K	3083	25.1	122.8	82	6	Standard	PDF	IES
	80CRI, 3000K	2973	25.1	118.4	81	4	Standard	PDF	IES
	90CRI, 3500K	2936	28.6	102.7	92	77	N/A	PDF	IES

*Configurations with Battery Pack options and Lutron EcoSystem drivers are not DLC eligible.

CANDELA DISTRIBUTION						Flux
	0	22.5	45	67.5	90	Lumens
0	930	930	930	930	930	-
5	928	930	932	934	936	89
15	911	921	933	947	955	264
25	872	891	920	957	971	426
35	797	828	870	930	950	547
45	675	710	754	834	840	588
55	509	545	581	650	656	526
65	330	353	372	423	422	379
75	158	183	189	224	212	208
85	34	48	42	62	41	55
90	0	0	0	0	0	-
95	0	0	0	0	0	0
105	0	0	0	0	0	0
115	0	0	0	0	0	0
125	0	0	0	0	0	0
135	0	0	0	0	0	0
145	0	0	0	0	0	0
155	0	0	0	0	0	0
165	0	0	0	0	0	0
175	0	0	0	0	0	0
180	0	0	0	0	0	-

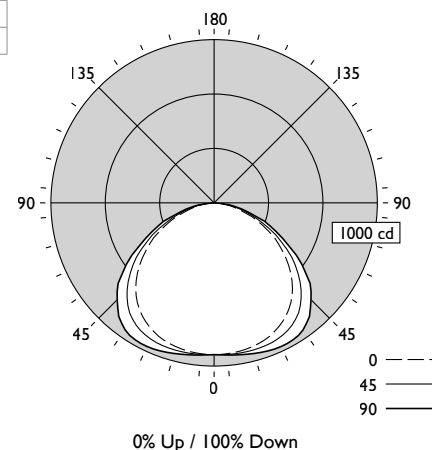
*Photometric data shown is for 3000lm, 3500K, 80 CRI configuration.

COEFFICIENTS OF UTILIZATION (%)											
Pc---	80				70			50			0
Pw---	70	50	30	10	70	50	30	50	30	10	0
RCR											
0	119	119	119	119	116	116	116	111	111	111	100
1	109	104	100	96	106	102	98	97	94	91	84
2	99	90	83	78	96	88	82	85	79	75	69
3	90	79	71	64	87	77	70	74	68	62	58
4	82	70	61	54	80	68	60	66	59	53	49
5	75	62	53	46	73	61	52	59	51	45	42
6	69	56	47	40	67	55	46	53	45	40	37
7	64	50	41	35	62	50	41	48	40	35	32
8	60	46	37	31	58	45	37	44	36	31	29
9	56	42	34	28	54	41	33	40	33	28	26
10	52	39	31	25	51	38	30	37	30	25	23

ZONAL LUMEN SUMMARY			
Zone	Lumens	%Fixture	%Lamp
0-30	779	25.3%	25.3%
0-40	1327	43.0%	43.0%
0-60	2441	79.2%	79.2%
0-90	3083	100.0%	100.0%
90-130	0	0.0%	0.0%
90-150	0	0.0%	0.0%
90-180	0	0.0%	0.0%
0-180	3083	100.0%	100.0%

Electrical	Watts	Amps	THD%	PF
120V	251	0.211	10.4	0.990
277V	25.4	0.098	11.7	0.940
347V	25.4	0.078	10.0	0.940

AVG LUMINANCE (cd/m²)			
	0	45	90
0	3157	3157	3157
5	3161	3176	3189
15	3202	3278	3356
25	3263	3446	3637
35	3302	3606	3937
45	3240	3617	4029
55	3014	3438	3882
65	2652	2989	3387
75	2072	2474	2782
85	1331	1647	1583



VersaForm recessed & surface

2'x2', 1'x4' & 2'x4'

Photometrics

2'x4'

Spacing Criteria: 1.33/1.53

(Click "PDF" and "IES" text to Download)

Lumen Package	Nominal CRI & CCT	Flux (lm)	Watts (W)	Efficacy (LPW)	CRI	R9	DLC*	Photometry Report	IES File
6800lm	80CRI, 4000K	7134	57.2	124.7	82	11	N/A	PDF	IES
	80CRI, 3500K	6964	57.3	121.5	82	6	N/A	PDF	IES
	80CRI, 3000K	6805	58.0	117.3	81	3	N/A	PDF	IES
	90CRI, 3500K	6791	65.7	103.4	92	77	N/A	PDF	IES
5200lm	80CRI, 4000K	5479	43.3	126.5	82	11	Standard	PDF	IES
	80CRI, 3500K	5349	43.3	123.5	82	6	Standard	PDF	IES
	80CRI, 3000K	5228	43.3	120.7	81	4	N/A	PDF	IES
	90CRI, 3500K	5038	47.2	106.7	92	77	N/A	PDF	IES
4000lm	80CRI, 4000K	4131	32.1	128.7	82	11	Standard	PDF	IES
	80CRI, 3500K	4032	32.1	125.6	82	6	Standard	PDF	IES
	80CRI, 3000K	3942	32.1	122.8	81	4	Standard	PDF	IES
	90CRI, 3500K	3899	35.8	108.9	92	77	N/A	PDF	IES

*Configurations with Battery Pack options and Lutron EcoSystem drivers are not DLC eligible.

CANDELA DISTRIBUTION						Flux
	0	22.5	45	67.5	90	Lumens
0	1236	1236	1236	1236	1236	-
5	1233	1235	1238	1241	1242	118
15	1211	1223	1240	1261	1271	352
25	1160	1181	1223	1273	1292	566
35	1057	1093	1148	1230	1254	723
45	895	934	988	1093	1108	772
55	675	704	743	842	842	681
65	436	464	476	546	544	490
75	218	231	237	282	270	263
85	50	59	51	71	65	69
90	0	0	0	0	0	-
95	0	0	0	0	0	0
105	0	0	0	0	0	0
115	0	0	0	0	0	0
125	0	0	0	0	0	0
135	0	0	0	0	0	0
145	0	0	0	0	0	0
155	0	0	0	0	0	0
165	0	0	0	0	0	0
175	0	0	0	0	0	0
180	0	0	0	0	0	-

*Photometric data shown is for 4000lm, 3500K, 80 CRI configuration.

COEFFICIENTS OF UTILIZATION (%)													
Pc---	80				70				50				0
Pw---	70	50	30	10	70	50	30	50	30	10	0	0	
RCR													
0	119	119	119	119	116	116	116	111	111	111	100		
1	109	104	100	96	106	102	98	97	94	91	84		
2	99	91	84	78	96	89	82	85	80	75	70		
3	90	79	71	65	87	78	70	75	68	63	58		
4	82	70	61	54	80	69	60	66	59	53	50		
5	75	62	53	47	73	61	53	59	52	46	43		
6	70	56	47	40	68	55	47	53	46	40	37		
7	64	51	42	36	63	50	41	48	41	35	33		
8	60	46	38	32	58	45	37	44	37	31	29		
9	56	42	34	28	54	42	34	40	33	28	26		
10	52	39	31	26	51	38	31	37	30	25	23		

ZONAL LUMEN SUMMARY			
Zone	Lumens	%Fixture	%Lamp
0-30	1035	25.7%	25.7%
0-40	1758	43.6%	43.6%
0-60	3211	79.6%	79.6%
0-90	4032	100.0%	100.0%
90-130	0	0.0%	0.0%
90-150	0	0.0%	0.0%
90-180	0	0.0%	0.0%
0-180	4032	100.0%	100.0%

Electrical	Watts	Amps	THD%	PF
120V	32.1	0.270	7.4	0.990
277V	32.1	0.120	9.2	0.960
347V	31.8	0.095	8.2	0.960

AVG LUMINANCE (cd/m ²)			
	0	45	90
0	1912	1912	1912
5	1915	1924	1929
15	1940	1988	2036
25	1980	2088	2206
35	1997	2169	2369
45	1959	2163	2425
55	1822	2004	2273
65	1598	1744	1992
75	1302	1420	1613
85	893	907	1157

