



Elegant from any angle, **Verge** delivers exceptional direct/indirect lighting performance in a sleek, geometric design. Offering luminous aesthetics with excellent glare control, **Verge** is the ideal choice for a wide range of energy conscious applications.

| | |
|-----------|------|
| Project: | |
| Location: | |
| Cat.No: | |
| Type: | |
| Line ID: | Qty: |
| Notes: | |

Ordering guide

example: 7606LBCQN087DEW, A3-48

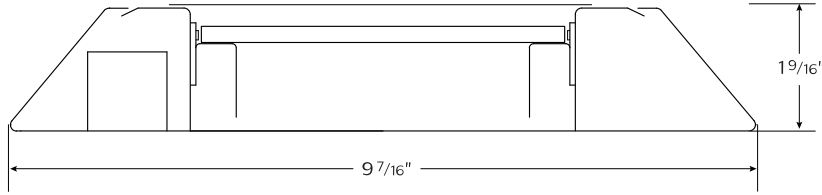
| Family | Source | CRI/CCT ¹ | Lumens ¹ | Optics | Distribution | Run Length | Wiring ² | Voltage | Driver |
|--------------------------------|--------------|--|--|--------------------------|---|--|---|--|------------------------------------|
| 7606 | L | | | Q | | | | | E |
| 7606 Verge Suspended | L LED | A 80CRI/4000K B 80CRI/3500K C 80CRI/3000K | A 6500 lm/4ft C 4600 lm/4ft E 3400 lm/4ft | Q MesoOptics Lens | N Lightguide D 55% Down Kit G 80% Down Kit J 100% Down Kit | 04 4ft 08 8ft xx Continuous Run (4ft increments) | 7 1cct Dimming E 2cct A/B Dimming (Alt. 4ft sections) M 1cct Dimming + EM Wiring N 1cct Dimming + EM Batt. Pack | D UNV 120-277V 3 347V | E Advance 0-10V (1% Dim) |
| Finish | Mount Type | | Suspension | | | | | | |
| W Standard White | A1 | Non-accessible ceiling, 0°-15° Slope Mount | 24 | 24" | | | | | |
| T Titanium Silver | A2 | T-grid Fixed Position Mount | 48 | 48" | | | | | |
| B Black | A3 | Non-accessible ceiling, 0°-90° Slope Mount | 96 | 96" | | | | | |
| C Custom | A5 | T-grid 24" Span Mount (non tegular tile only) | 144 | 144" | | | | | |
| | A6-1 | T-grid On-grid Mount 15/16" (non tegular tile only) | | | | | | | |
| | A6-2 | T-grid On-grid Mount 9/16" (non tegular tile only) | | | | | | | |
| | A6-3 | T-grid On-grid Mount 9/16" x 5/16" (slot tee & tegular tile) | | | | | | | |

1. Nominal values within a range. Down kits reduce output & efficacy. Consult photometry data for color temp, lumens & distribution of chosen configuration.
2. Not all wiring types are available with all configurations. Consult Ledalite for a complete list of available options

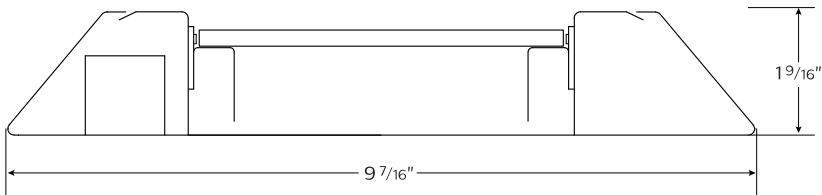
Verge linear suspended

Cross Section View

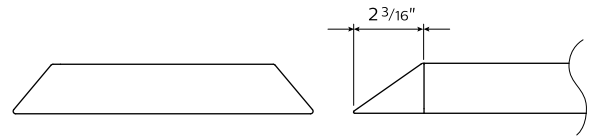
With Down Kit



Lightguide

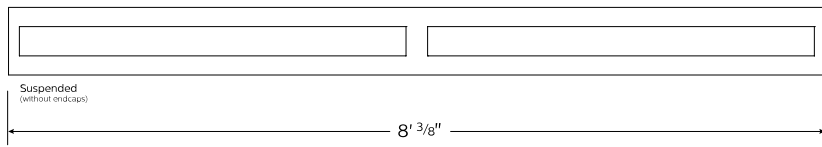


Cross Section View – Endcaps



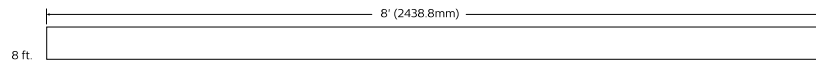
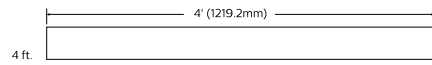
Cross Section View – Optics Details

Lens View



Module Details & Dimensions

Module length excludes end caps. Nominal mounting spacing for individually mounted modules.



Note: Refer to installation instructions for exact mount.

Verge linear suspended

Specifications

Optical System

The optical system contains arrays of LEDs edge-lighting a low profile light-guide panel, using total internal reflection to homogenize the sources. The microstructured surface of the panel optimizes light extraction to create an efficacious direct/indirect distribution. Light is purified and controlled by MesoOptics film as it passes through a non-glare acrylic lens. Standard distribution is 75% up / 25% down for suspended and 65% up / 35% down for wall mount version.

Endcaps

Diecast aluminum endcaps, sculpted to match angled profile.

Finish

Standard finish is a textured matte powder coat in white, black or titanium silver.

Housing

Precision formed 18 gauge cold-rolled steel.

Weight

Maximum: Suspended 3.75lb/ft & Wall 3.0lb/ft.

Electrical

Factory pre-wired to section ends with quick-wire connectors.

Standard Driver

Advance Xitanium 0-10V, 1-100%. Class 2 rated output. Consult Ledalite for other available drivers.

Standard Battery Pack

Bodine, 90 min, 10W, Class 2 rated output, Emergency lumen output = 10W x luminaire efficacy x 1.1. Typical output: 1100lm.

Lumen Maintenance

LEDs have been tested by the manufacturer in accordance with IESNA LM-80-08. At an ambient temperature of 25°C, the LED lumen maintenance expectation according to IES TM-21-11 is: L80 (12k) >72,000 hrs (Reported methodology).

Source Color

LEDs rated for color rendering CRI >80 and fixture to fixture color accuracy within 2 SDCM.

Mounting

Tamper-resistant aircraft cable gripper provides unlimited vertical adjustment. Aircraft cable, crimp and cable gripper are independently tested to meet stringent safety requirements.

Joints

Self-aligning joining system with hands-free pre-joining wire access.

Approvals

Certified to UL, CSA and IES standards. Certain suspended versions without down kits are DesignLights Consortium® qualified. Please see the DLC QPL list for exact catalog numbers (www.designlights.org/QPL).

Warranty

Signify indoor professional luminaires 5 year LED warranty: www.signify.com/warranties.

Environment

Rated for dry or damp locations in operating ambient temperatures 0-40°C (32-104°F). Certain luminaire components may be adversely affected by contaminants. Damage caused by sulfur, chlorine, petroleum based solutions or other contaminants are not covered under warranty. Not suitable for natatorium environments.

Verge linear suspended

Photometrics

MesoOptics + Lightguide Distribution (QN)

(Click "PDF" and "IES" text to Download)

| Lumen Package | Nominal CRI & CCT | Flux (lm) | Watts (W) | Efficacy (LPW) | CRI | RP-1 VDT | DLC* | Photometry Report | IES File |
|---------------|-------------------|-----------|-----------|----------------|-----|-----------------|----------|---------------------|---------------------|
| 6500 lm/4ft | 80CRI, 4000K | 6636 | 56.5 | 117.5 | 83 | Critical spaces | Standard | PDF | IES |
| | 80CRI, 3500K | 6453 | 56.7 | 113.8 | 82 | Critical spaces | Standard | PDF | IES |
| | 80CRI, 3000K | 6180 | 56.9 | 108.6 | 84 | Critical spaces | Standard | PDF | IES |
| 4600 lm/4ft | 80CRI, 4000K | 4739 | 39.2 | 120.9 | 83 | Critical spaces | Standard | PDF | IES |
| | 80CRI, 3500K | 4608 | 39.4 | 117.0 | 82 | Critical spaces | Standard | PDF | IES |
| | 80CRI, 3000K | 4412 | 39.5 | 111.7 | 84 | Critical spaces | Standard | PDF | IES |
| 3400 lm/4ft | 80CRI, 4000K | 3513 | 28.3 | 124.1 | 83 | Critical spaces | Standard | PDF | IES |
| | 80CRI, 3500K | 3416 | 28.4 | 120.3 | 82 | Critical spaces | Standard | PDF | IES |
| | 80CRI, 3000K | 3271 | 28.5 | 114.8 | 84 | Critical spaces | Standard | PDF | IES |

*DLC is only available with Advance 0-10V (1% dim) drivers. EM Batt. Packs are also not available on DLC.

| | CANDELA DISTRIBUTION | | | | | Flux Lumens |
|-----|----------------------|------|-----|------|-----|----------------|
| | 0 | 22.5 | 45 | 67.5 | 90 | |
| 0 | 229 | 229 | 229 | 229 | 229 | |
| 5 | 230 | 231 | 233 | 236 | 236 | 23 |
| 15 | 244 | 250 | 269 | 288 | 295 | 77 |
| 25 | 261 | 276 | 320 | 361 | 378 | 147 |
| 35 | 259 | 274 | 315 | 350 | 363 | 193 |
| 45 | 206 | 210 | 221 | 229 | 232 | 170 |
| 55 | 137 | 135 | 136 | 140 | 142 | 124 |
| 65 | 81 | 80 | 82 | 85 | 88 | 82 |
| 75 | 33 | 34 | 35 | 36 | 36 | 38 |
| 85 | 6 | 7 | 7 | 7 | 8 | 9 |
| 90 | 0 | 0 | 0 | 0 | 0 | |
| 95 | 99 | 115 | 162 | 226 | 252 | 180 |
| 105 | 259 | 308 | 458 | 665 | 767 | 502 |
| 115 | 341 | 397 | 556 | 761 | 862 | 567 |
| 125 | 350 | 394 | 510 | 645 | 708 | 465 |
| 135 | 330 | 363 | 422 | 490 | 519 | 331 |
| 145 | 316 | 338 | 365 | 394 | 406 | 230 |
| 155 | 309 | 324 | 343 | 352 | 353 | 157 |
| 165 | 304 | 313 | 323 | 329 | 330 | 91 |
| 175 | 300 | 303 | 305 | 307 | 308 | 29 |
| 180 | 299 | 299 | 299 | 299 | 299 | |

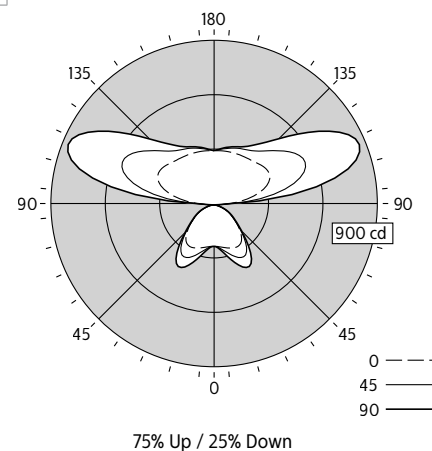
*Photometric data shown is for 3400 lm/4ft, 3500K, 80 CRI configuration.

| COEFFICIENTS OF UTILIZATION (%) | | | | | | | | | | | | | |
|---------------------------------|-----|-----|-----|-----|----|----|----|----|----|----|----|---|---|
| Pc--- | 80 | | | | 70 | | | | 50 | | | | 0 |
| Pw--- | 70 | 50 | 30 | 10 | 70 | 50 | 30 | 50 | 30 | 10 | 0 | 0 | |
| RCR | | | | | | | | | | | | | |
| 0 | 101 | 101 | 101 | 101 | 90 | 90 | 90 | 70 | 70 | 70 | 25 | | |
| 1 | 92 | 88 | 85 | 81 | 82 | 79 | 76 | 61 | 59 | 57 | 22 | | |
| 2 | 84 | 77 | 71 | 67 | 75 | 69 | 64 | 54 | 50 | 48 | 18 | | |
| 3 | 77 | 68 | 61 | 56 | 68 | 61 | 55 | 47 | 43 | 40 | 16 | | |
| 4 | 70 | 60 | 53 | 47 | 62 | 54 | 47 | 42 | 38 | 34 | 13 | | |
| 5 | 64 | 53 | 46 | 40 | 57 | 48 | 41 | 37 | 33 | 29 | 12 | | |
| 6 | 59 | 48 | 40 | 34 | 52 | 43 | 36 | 34 | 29 | 25 | 10 | | |
| 7 | 54 | 43 | 35 | 30 | 48 | 38 | 32 | 30 | 26 | 22 | 9 | | |
| 8 | 50 | 39 | 31 | 26 | 45 | 35 | 28 | 27 | 23 | 19 | 8 | | |
| 9 | 47 | 35 | 28 | 23 | 42 | 32 | 25 | 25 | 20 | 17 | 7 | | |
| 10 | 44 | 32 | 25 | 20 | 39 | 29 | 23 | 23 | 18 | 15 | 6 | | |

| ZONAL LUMEN SUMMARY | | | |
|---------------------|--------|----------|--------|
| Zone | Lumens | %Fixture | %Lamp |
| 0-30 | 247 | 7.2% | 7.2% |
| 0-40 | 440 | 12.9% | 12.9% |
| 0-60 | 734 | 21.5% | 21.5% |
| 0-90 | 862 | 25.2% | 25.2% |
| 90-130 | 1715 | 50.2% | 50.2% |
| 90-150 | 2277 | 66.7% | 66.7% |
| 90-180 | 2554 | 74.8% | 74.8% |
| 0-180 | 3416 | 100.0% | 100.0% |

| Electrical | | | | |
|------------------------------|------|-------|------|-------|
| 120V: P(W), I(A), THD(%), PF | 28.4 | 0.238 | 8.0 | 0.994 |
| 277V: P(W), I(A), THD(%), PF | 28.4 | 0.107 | 11.6 | 0.962 |
| 347V: P(W), I(A), THD(%), PF | N/A | N/A | N/A | N/A |

| AVG LUMINANCE (cd/m ²) | | | |
|------------------------------------|------|------|------|
| | 0 | 45 | 90 |
| 0 | 2222 | 2222 | 2222 |
| 5 | 2240 | 2269 | 2299 |
| 15 | 2451 | 2702 | 2963 |
| 25 | 2794 | 3426 | 4047 |
| 35 | 3068 | 3731 | 4300 |
| 45 | 2827 | 3033 | 3184 |
| 55 | 2318 | 2301 | 2402 |
| 65 | 1860 | 1883 | 2020 |
| 75 | 1237 | 1312 | 1350 |
| 85 | 668 | 779 | 891 |



Verge linear suspended

Photometrics

MesoOptics + 55% Down Kit Distribution (QD)

Spacing Criteria: 1.50/1.62

(Click "PDF" and "IES" text to Download)

| Lumen Package | Nominal CRI & CCT | Flux (lm) | Watts (W) | Efficacy (LPW) | CRI | RP-1 VDT | DLC* | Photometry Report | IES File |
|---------------|-------------------|-----------|-----------|----------------|-----|-----------------|------|---------------------|---------------------|
| 6500 lm/4ft | 80CRI, 4000K | 5655 | 56.5 | 100.1 | 83 | N/A | N/A | PDF | IES |
| | 80CRI, 3500K | 5499 | 56.7 | 97.0 | 82 | N/A | N/A | PDF | IES |
| | 80CRI, 4000K | 5265 | 56.9 | 92.5 | 84 | Normal spaces | N/A | PDF | IES |
| 4600 lm/4ft | 80CRI, 3500K | 4039 | 39.2 | 103.0 | 83 | Normal spaces | N/A | PDF | IES |
| | 80CRI, 4000K | 3927 | 39.4 | 99.7 | 82 | Normal spaces | N/A | PDF | IES |
| | 80CRI, 3500K | 3760 | 39.5 | 95.2 | 84 | Normal spaces | N/A | PDF | IES |
| 3400 lm/4ft | 80CRI, 4000K | 2993 | 28.3 | 105.8 | 83 | Critical spaces | N/A | PDF | IES |
| | 80CRI, 3500K | 2910 | 28.4 | 102.5 | 82 | Critical spaces | N/A | PDF | IES |
| | 80CRI, 4000K | 2787 | 28.5 | 97.8 | 84 | Critical spaces | N/A | PDF | IES |

*DLC is only available with Advance 0-10V (1% dim) drivers. EM Batt. Packs are also not available on DLC.

| CANDELA DISTRIBUTION | | | | | | Flux |
|----------------------|-----|------|-----|------|-----|--------|
| | 0 | 22.5 | 45 | 67.5 | 90 | Lumens |
| 0 | 506 | 506 | 506 | 506 | 506 | |
| 5 | 508 | 509 | 513 | 516 | 518 | 50 |
| 15 | 525 | 533 | 564 | 592 | 601 | 161 |
| 25 | 540 | 560 | 622 | 679 | 699 | 285 |
| 35 | 512 | 529 | 580 | 616 | 628 | 354 |
| 45 | 398 | 396 | 401 | 402 | 402 | 310 |
| 55 | 260 | 254 | 252 | 254 | 256 | 229 |
| 65 | 153 | 152 | 155 | 159 | 162 | 154 |
| 75 | 63 | 65 | 66 | 68 | 68 | 72 |
| 85 | 11 | 13 | 14 | 15 | 15 | 16 |
| 90 | 0 | 0 | 0 | 0 | 0 | |
| 95 | 28 | 35 | 52 | 70 | 77 | 70 |
| 105 | 122 | 152 | 217 | 309 | 366 | 238 |
| 115 | 171 | 205 | 282 | 370 | 417 | 282 |
| 125 | 182 | 208 | 264 | 328 | 355 | 239 |
| 135 | 175 | 192 | 224 | 255 | 264 | 174 |
| 145 | 172 | 181 | 200 | 212 | 212 | 124 |
| 155 | 173 | 176 | 187 | 192 | 191 | 86 |
| 165 | 172 | 172 | 175 | 176 | 176 | 50 |
| 175 | 167 | 167 | 167 | 167 | 167 | 16 |
| 180 | 166 | 166 | 166 | 166 | 166 | |

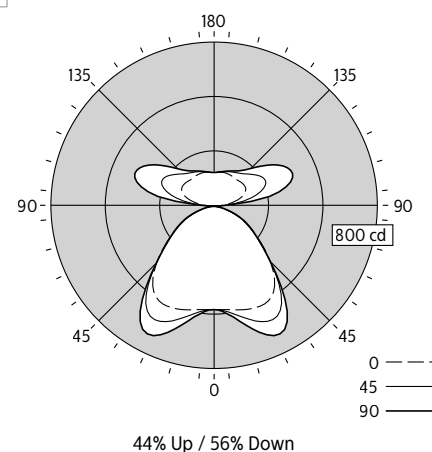
*Photometric data shown is for 3400 lm/4ft, 3500K, 80 CRI configuration.

| COEFFICIENTS OF UTILIZATION (%) | | | | | | | | | | | | | |
|---------------------------------|-----|-----|-----|-----|-----|-----|-----|----|----|----|----|---|---|
| Pc--- | 80 | | | | 70 | | | | 50 | | | | 0 |
| Pw--- | 70 | 50 | 30 | 10 | 70 | 50 | 30 | 50 | 30 | 10 | 0 | 0 | |
| RCR | | | | | | | | | | | | | |
| 0 | 109 | 109 | 109 | 109 | 101 | 101 | 101 | 87 | 87 | 87 | 56 | | |
| 1 | 100 | 95 | 92 | 88 | 93 | 89 | 86 | 77 | 74 | 72 | 48 | | |
| 2 | 91 | 84 | 78 | 73 | 84 | 78 | 73 | 68 | 64 | 60 | 41 | | |
| 3 | 83 | 74 | 67 | 61 | 77 | 69 | 63 | 60 | 55 | 51 | 35 | | |
| 4 | 76 | 66 | 58 | 52 | 71 | 61 | 55 | 54 | 48 | 44 | 30 | | |
| 5 | 70 | 59 | 51 | 45 | 65 | 55 | 48 | 48 | 42 | 38 | 26 | | |
| 6 | 65 | 53 | 45 | 39 | 60 | 49 | 42 | 43 | 37 | 33 | 23 | | |
| 7 | 60 | 48 | 40 | 34 | 56 | 45 | 38 | 39 | 33 | 29 | 21 | | |
| 8 | 55 | 43 | 35 | 30 | 52 | 41 | 34 | 36 | 30 | 26 | 18 | | |
| 9 | 52 | 39 | 32 | 27 | 48 | 37 | 30 | 33 | 27 | 23 | 17 | | |
| 10 | 48 | 36 | 29 | 24 | 45 | 34 | 27 | 30 | 25 | 21 | 15 | | |

| ZONAL LUMEN SUMMARY | | | |
|---------------------|--------|----------|--------|
| Zone | Lumens | %Fixture | %Lamp |
| 0-30 | 495 | 17.0% | 17.0% |
| 0-40 | 850 | 29.2% | 29.2% |
| 0-60 | 1389 | 47.7% | 47.7% |
| 0-90 | 1631 | 56.1% | 56.1% |
| 90-130 | 830 | 28.5% | 28.5% |
| 90-150 | 1127 | 38.7% | 38.7% |
| 90-180 | 1278 | 43.9% | 43.9% |
| 0-180 | 2910 | 100.0% | 100.0% |

| Electrical | | | | |
|------------------------------|------|-------|------|-------|
| 120V: P(W), I(A), THD(%), PF | 28.4 | 0.238 | 8.0 | 0.994 |
| 277V: P(W), I(A), THD(%), PF | 28.4 | 0.107 | 11.6 | 0.962 |
| 347V: P(W), I(A), THD(%), PF | N/A | N/A | N/A | N/A |

| AVG LUMINANCE (cd/m²) | | | |
|-----------------------|------|------|------|
| | 0 | 45 | 90 |
| 0 | 4913 | 4913 | 4913 |
| 5 | 4952 | 4993 | 5044 |
| 15 | 5275 | 5663 | 6041 |
| 25 | 5779 | 6662 | 7489 |
| 35 | 6059 | 6876 | 7445 |
| 45 | 5458 | 5501 | 5515 |
| 55 | 4398 | 4256 | 4327 |
| 65 | 3523 | 3547 | 3715 |
| 75 | 2348 | 2466 | 2544 |
| 85 | 1278 | 1511 | 1627 |



Verge linear suspended

Photometrics

MesoOptics + 80% Down Kit Distribution (QG)

Spacing Criteria: 1.45/1.54

(Click "PDF" and "IES" text to Download)

| Lumen Package | Nominal CRI & CCT | Flux (lm) | Watts (W) | Efficacy (LPW) | CRI | RP-1 VDT | DLC* | Photometry Report | IES File |
|---------------|-------------------|-----------|-----------|----------------|-----|---------------|------|---------------------|---------------------|
| 6500 lm/4ft | 80CRI, 4000K | 5232 | 56.5 | 92.6 | 83 | N/A | N/A | PDF | IES |
| | 80CRI, 3500K | 5087 | 56.7 | 89.7 | 82 | N/A | N/A | PDF | IES |
| | 80CRI, 3000K | 4871 | 56.9 | 85.6 | 84 | N/A | N/A | PDF | IES |
| 4600 lm/4ft | 80CRI, 4000K | 3736 | 39.2 | 95.3 | 83 | Normal spaces | N/A | PDF | IES |
| | 80CRI, 3500K | 3633 | 39.4 | 92.2 | 82 | Normal spaces | N/A | PDF | IES |
| | 80CRI, 3000K | 3478 | 39.5 | 88.1 | 84 | Normal spaces | N/A | PDF | IES |
| 3400 lm/4ft | 80CRI, 4000K | 2769 | 28.3 | 97.8 | 83 | Normal spaces | N/A | PDF | IES |
| | 80CRI, 3500K | 2692 | 28.4 | 94.8 | 82 | Normal spaces | N/A | PDF | IES |
| | 80CRI, 3000K | 2578 | 28.5 | 90.5 | 84 | Normal spaces | N/A | PDF | IES |

*DLC is only available with Advance 0-10V (1% dim) drivers. EM Batt. Packs are also not available on DLC.

| CANDELA DISTRIBUTION | | | | | | Flux |
|----------------------|-----|------|-----|------|-----|--------|
| | 0 | 22.5 | 45 | 67.5 | 90 | Lumens |
| 0 | 737 | 737 | 737 | 737 | 737 | |
| 5 | 739 | 740 | 744 | 749 | 750 | 72 |
| 15 | 755 | 763 | 798 | 830 | 840 | 227 |
| 25 | 762 | 781 | 851 | 910 | 932 | 389 |
| 35 | 707 | 720 | 769 | 802 | 812 | 472 |
| 45 | 540 | 532 | 527 | 524 | 523 | 410 |
| 55 | 351 | 342 | 335 | 335 | 337 | 306 |
| 65 | 208 | 205 | 206 | 211 | 214 | 206 |
| 75 | 85 | 86 | 87 | 89 | 91 | 95 |
| 85 | 15 | 17 | 18 | 19 | 19 | 21 |
| 90 | 0 | 0 | 0 | 0 | 0 | |
| 95 | 10 | 11 | 14 | 15 | 15 | 20 |
| 105 | 56 | 65 | 85 | 98 | 104 | 85 |
| 115 | 76 | 87 | 111 | 138 | 143 | 109 |
| 125 | 79 | 87 | 108 | 128 | 129 | 95 |
| 135 | 75 | 79 | 89 | 105 | 108 | 71 |
| 145 | 73 | 75 | 79 | 85 | 86 | 50 |
| 155 | 73 | 75 | 77 | 77 | 77 | 35 |
| 165 | 73 | 74 | 75 | 76 | 76 | 21 |
| 175 | 72 | 72 | 72 | 73 | 73 | 7 |
| 180 | 72 | 72 | 72 | 72 | 72 | |

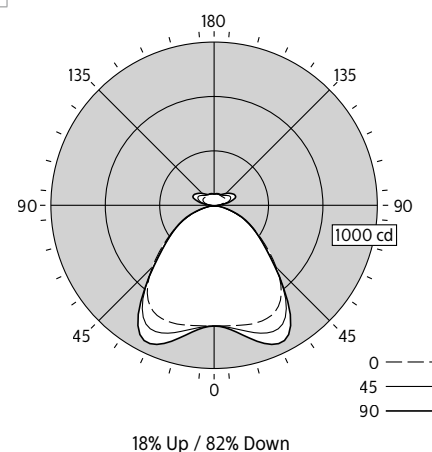
*Photometric data shown is for 3400 lm/4ft, 3500K, 80 CRI configuration.

| COEFFICIENTS OF UTILIZATION (%) | | | | | | | | | | | | | |
|---------------------------------|-----|-----|-----|-----|-----|-----|-----|-----|-----|-----|-----|----|---|
| Pc--- | 80 | | | | 70 | | | | 50 | | | | 0 |
| Pw--- | 70 | 50 | 30 | 10 | 70 | 50 | 30 | 50 | 30 | 10 | 0 | 0 | |
| RCR | | | | | | | | | | | | | |
| 0 | 115 | 115 | 115 | 115 | 110 | 110 | 110 | 101 | 101 | 101 | 101 | 82 | |
| 1 | 106 | 101 | 98 | 94 | 101 | 97 | 94 | 90 | 87 | 85 | 85 | 70 | |
| 2 | 97 | 89 | 83 | 78 | 93 | 86 | 80 | 80 | 75 | 71 | 71 | 60 | |
| 3 | 89 | 79 | 72 | 66 | 85 | 76 | 69 | 71 | 65 | 61 | 61 | 51 | |
| 4 | 81 | 70 | 62 | 56 | 78 | 68 | 61 | 63 | 57 | 52 | 52 | 44 | |
| 5 | 75 | 63 | 55 | 49 | 72 | 61 | 53 | 57 | 50 | 45 | 45 | 39 | |
| 6 | 69 | 57 | 49 | 43 | 66 | 55 | 47 | 51 | 45 | 40 | 40 | 34 | |
| 7 | 64 | 52 | 43 | 38 | 62 | 50 | 42 | 47 | 40 | 35 | 35 | 30 | |
| 8 | 60 | 47 | 39 | 34 | 57 | 46 | 38 | 43 | 36 | 32 | 32 | 27 | |
| 9 | 56 | 43 | 35 | 30 | 54 | 42 | 35 | 39 | 33 | 29 | 29 | 24 | |
| 10 | 52 | 40 | 32 | 27 | 50 | 39 | 32 | 36 | 30 | 26 | 26 | 22 | |

| AVG LUMINANCE (cd/m ²) | | | |
|------------------------------------|------|------|------|
| | 0 | 45 | 90 |
| 0 | 7152 | 7152 | 7152 |
| 5 | 7199 | 7250 | 7301 |
| 15 | 7582 | 8012 | 8442 |
| 25 | 8159 | 9109 | 9981 |
| 35 | 8372 | 9114 | 9621 |
| 45 | 7406 | 7235 | 7177 |
| 55 | 5934 | 5669 | 5704 |
| 65 | 4770 | 4722 | 4914 |
| 75 | 3170 | 3249 | 3405 |
| 85 | 1627 | 1976 | 2092 |

| ZONAL LUMEN SUMMARY | | | |
|---------------------|--------|----------|--------|
| Zone | Lumens | %Fixture | %Lamp |
| 0-30 | 688 | 25.6% | 25.6% |
| 0-40 | 1160 | 43.1% | 43.1% |
| 0-60 | 1875 | 69.7% | 69.7% |
| 0-90 | 2197 | 81.6% | 81.6% |
| 90-130 | 309 | 11.5% | 11.5% |
| 90-150 | 431 | 16.0% | 16.0% |
| 90-180 | 494 | 18.4% | 18.4% |
| 0-180 | 2692 | 100.0% | 100.0% |

| Electrical | | | | |
|------------------------------|------|-------|------|-------|
| 120V: P(W), I(A), THD(%), PF | 28.4 | 0.238 | 8.0 | 0.994 |
| 277V: P(W), I(A), THD(%), PF | 28.4 | 0.107 | 11.6 | 0.962 |
| 347V: P(W), I(A), THD(%), PF | N/A | N/A | N/A | N/A |



Verge linear suspended

Photometrics

MesoOptics + 100% Down Kit Distribution (QJ)

Spacing Criteria: 1.44/1.50

(Click "PDF" and "IES" text to Download)

| Lumen Package | Nominal CRI & CCT | Flux (lm) | Watts (W) | Efficacy (LPW) | CRI | RP-1 VDT | DLC* | Photometry Report | IES File |
|---------------|-------------------|-----------|-----------|----------------|-----|---------------|------|---------------------|---------------------|
| 6500 lm/4ft | 80CRI, 4000K | 4985 | 56.5 | 88.2 | 83 | N/A | N/A | PDF | IES |
| | 80CRI, 3500K | 4848 | 56.7 | 85.5 | 82 | N/A | N/A | PDF | IES |
| | 80CRI, 3000K | 4641 | 56.9 | 81.6 | 84 | N/A | N/A | PDF | IES |
| 4600 lm/4ft | 80CRI, 4000K | 3560 | 39.2 | 90.8 | 83 | N/A | N/A | PDF | IES |
| | 80CRI, 3500K | 3462 | 39.4 | 87.9 | 82 | N/A | N/A | PDF | IES |
| | 80CRI, 3000K | 3315 | 39.5 | 83.9 | 84 | N/A | N/A | PDF | IES |
| 3400 lm/4ft | 80CRI, 4000K | 2639 | 28.3 | 93.3 | 83 | Normal spaces | N/A | PDF | IES |
| | 80CRI, 3500K | 2565 | 28.4 | 90.3 | 82 | Normal spaces | N/A | PDF | IES |
| | 80CRI, 3000K | 2457 | 28.5 | 86.2 | 84 | Normal spaces | N/A | PDF | IES |

*DLC is only available with Advance 0-10V (1% dim) drivers. EM Batt. Packs are also not available on DLC.

| CANDELA DISTRIBUTION | | | | | | Flux |
|----------------------|-----|------|-----|------|------|--------|
| | 0 | 22.5 | 45 | 67.5 | 90 | Lumens |
| 0 | 877 | 877 | 877 | 877 | 877 | |
| 5 | 880 | 880 | 884 | 888 | 889 | 85 |
| 15 | 896 | 903 | 940 | 974 | 983 | 267 |
| 25 | 900 | 917 | 989 | 1049 | 1071 | 453 |
| 35 | 830 | 840 | 886 | 918 | 922 | 544 |
| 45 | 627 | 619 | 611 | 600 | 594 | 473 |
| 55 | 408 | 400 | 388 | 385 | 385 | 354 |
| 65 | 242 | 239 | 240 | 243 | 248 | 239 |
| 75 | 100 | 101 | 102 | 104 | 105 | 112 |
| 85 | 19 | 20 | 22 | 22 | 22 | 26 |
| 90 | 0 | 0 | 0 | 0 | 0 | |
| 95 | 1 | 1 | 1 | 1 | 0 | 1 |
| 105 | 1 | 2 | 2 | 3 | 1 | 2 |
| 115 | 2 | 2 | 3 | 2 | 2 | 2 |
| 125 | 2 | 3 | 2 | 2 | 2 | 2 |
| 135 | 2 | 2 | 2 | 3 | 3 | 2 |
| 145 | 2 | 2 | 2 | 3 | 3 | 2 |
| 155 | 2 | 2 | 2 | 2 | 3 | 1 |
| 165 | 2 | 2 | 2 | 1 | 2 | 1 |
| 175 | 1 | 1 | 1 | 1 | 1 | 0 |
| 180 | 1 | 1 | 1 | 1 | 1 | |

*Photometric data shown is for 3400 lm/4ft, 3500K, 80 CRI configuration.

| COEFFICIENTS OF UTILIZATION (%) | | | | | | | | | | | | | |
|---------------------------------|-----|-----|-----|-----|-----|-----|-----|-----|-----|-----|-----|---|---|
| Pc--- | 80 | | | | 70 | | | | 50 | | | | 0 |
| Pw--- | 70 | 50 | 30 | 10 | 70 | 50 | 30 | 50 | 30 | 10 | 0 | 0 | |
| RCR | | | | | | | | | | | | | |
| 0 | 119 | 119 | 119 | 119 | 116 | 116 | 116 | 111 | 111 | 111 | 100 | | |
| 1 | 110 | 106 | 102 | 98 | 107 | 103 | 100 | 99 | 96 | 93 | 86 | | |
| 2 | 101 | 93 | 87 | 82 | 98 | 91 | 86 | 88 | 83 | 79 | 73 | | |
| 3 | 92 | 83 | 75 | 69 | 90 | 81 | 74 | 78 | 72 | 67 | 63 | | |
| 4 | 85 | 74 | 66 | 59 | 83 | 72 | 65 | 70 | 63 | 58 | 54 | | |
| 5 | 78 | 66 | 58 | 51 | 76 | 65 | 57 | 63 | 56 | 51 | 47 | | |
| 6 | 73 | 60 | 51 | 45 | 71 | 59 | 51 | 57 | 50 | 45 | 42 | | |
| 7 | 67 | 54 | 46 | 40 | 66 | 54 | 46 | 52 | 45 | 40 | 37 | | |
| 8 | 63 | 50 | 42 | 36 | 61 | 49 | 41 | 48 | 41 | 36 | 33 | | |
| 9 | 59 | 46 | 38 | 32 | 57 | 45 | 38 | 44 | 37 | 32 | 30 | | |
| 10 | 55 | 42 | 35 | 29 | 54 | 42 | 34 | 41 | 34 | 29 | 27 | | |

| ZONAL LUMEN SUMMARY | | | |
|---------------------|--------|----------|--------|
| Zone | Lumens | %Fixture | %Lamp |
| 0-30 | 805 | 31.4% | 31.4% |
| 0-40 | 1349 | 52.6% | 52.6% |
| 0-60 | 2176 | 84.8% | 84.8% |
| 0-90 | 2553 | 99.5% | 99.5% |
| 90-130 | 8 | 0.3% | 0.3% |
| 90-150 | 11 | 0.4% | 0.4% |
| 90-180 | 12 | 0.5% | 0.5% |
| 0-180 | 2565 | 100.0% | 100.0% |

| Electrical | | | | |
|------------------------------|------|-------|------|-------|
| 120V: P(W), I(A), THD(%), PF | 28.4 | 0.238 | 8.0 | 0.994 |
| 277V: P(W), I(A), THD(%), PF | 28.4 | 0.107 | 11.6 | 0.962 |
| 347V: P(W), I(A), THD(%), PF | N/A | N/A | N/A | N/A |

| AVG LUMINANCE (cd/m²) | | | |
|-----------------------|------|-------|-------|
| | 0 | 45 | 90 |
| 0 | 8509 | 8509 | 8509 |
| 5 | 8572 | 8613 | 8664 |
| 15 | 8998 | 9438 | 9879 |
| 25 | 9635 | 10585 | 11468 |
| 35 | 9831 | 10499 | 10919 |
| 45 | 8610 | 8381 | 8151 |
| 55 | 6905 | 6570 | 6517 |
| 65 | 5561 | 5513 | 5705 |
| 75 | 3757 | 3836 | 3953 |
| 85 | 2092 | 2441 | 2441 |

