



**TruGroove** suspended, surface & wall is driving performance beyond the edge. Innovative optics deliver exceptional uniformity and wide row spacing from a 3” aperture continuous line-of light. An extended family and refined design are perfect for lighting any professional space.

Project: \_\_\_\_\_  
 Location: \_\_\_\_\_  
 Cat.No: \_\_\_\_\_  
 Type: \_\_\_\_\_  
 Line ID: \_\_\_\_\_ Qty: \_\_\_\_\_  
 Notes: \_\_\_\_\_

**Ordering guide**

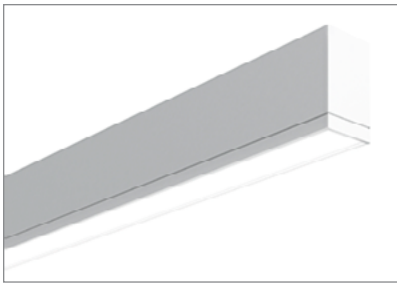
example: 2925LBCWW087DEW

Family	Version <sup>1</sup>	Source	CRI/CCT <sup>1</sup>	Lumens <sup>1</sup>	Optics	Run Length	Wiring <sup>2</sup>
<b>292</b>		<b>L</b>					
<b>292</b> TruGroove Wall	<b>1</b> Direct	<b>L</b> LED	<b>A</b> 80CRI/4000K <b>B</b> 80CRI/3500K <b>C</b> 80CRI/3000K	<b>E</b> 3200 lm/4ft	<b>WN</b> Asymmetric MesoOptics Lens	<b>04</b> 4ft <b>06</b> 6ft <b>08</b> 8ft <b>xx</b> Continuous Run (4ft increments)	<b>7</b> 1cct Dimming <b>M</b> 1cct Dimming + EM Wiring <b>N</b> 1cct Dimming + EM Batt. Pack <b>G</b> 2cct Dimming (Up/Down) <b>K</b> 2cct Dimming + EM Wiring <b>L</b> 2cct Dimming + EM Batt. Pack
				<b>G</b> 2300 lm/4ft			
	<b>K</b> 1500 lm/4ft			<b>NW</b> Asymmetric Performance Lens			
	<b>C</b> 4800 lm/4ft						
	<b>E</b> 3200 lm/4ft			<b>WW</b> Asymmetric MesoOptics Lens + Asymmetric Performance Lens			
	<b>B</b> 5200 lm/4ft (60% Up)						
	<b>C</b> 4600 lm/4ft (70% Up)						
	<b>D</b> 3500 lm/4ft (60% Up)						
	<b>B</b> 5200 lm/4ft (60% Down)						
	<b>C</b> 4600 lm/4ft (70% Down)						
	<b>D</b> 3500 lm/4ft (60% Down)						
	<b>3</b> Indirect						
<b>5</b> Indirect/Direct							
<b>6</b> Direct /Indirect							
<b>D</b> UNV 120-277V <b>3</b> 347V	<b>E</b> Advance 0-10V (1% Dim)	<b>W</b> Standard White <b>T</b> Titanium Silver <b>B</b> Black <b>C</b> Custom					

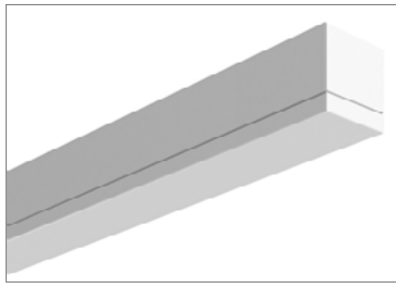
1. Nominal values within a range. Consult photometry data for CRI, color temp, lumens & distribution of chosen configuration.  
 2. Not all wiring types are available with all configurations. Consult Ledalite for a complete list of available options.

# TruGroove linear wall

## Direct & Direct/Indirect

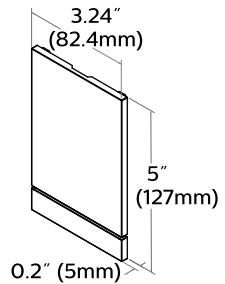


## Indirect

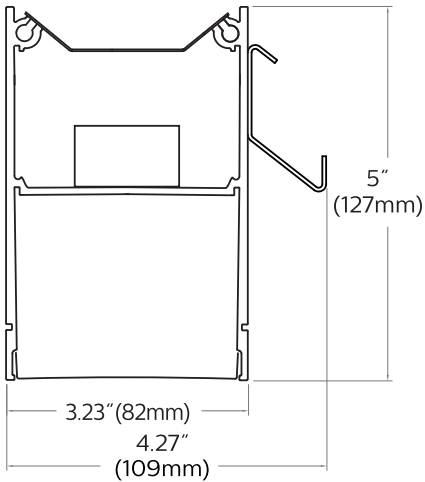


## Cross Section View – Endcaps

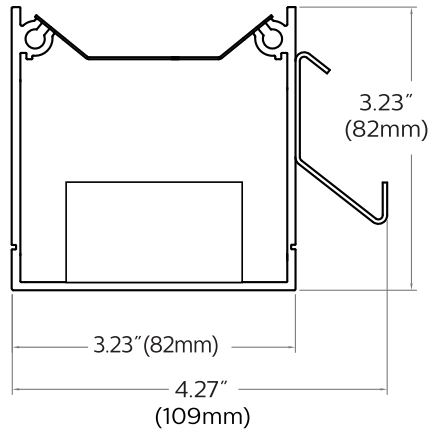
### Direct/Indirect Endcap



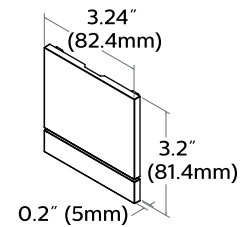
## Cross Section View



## Cross Section View

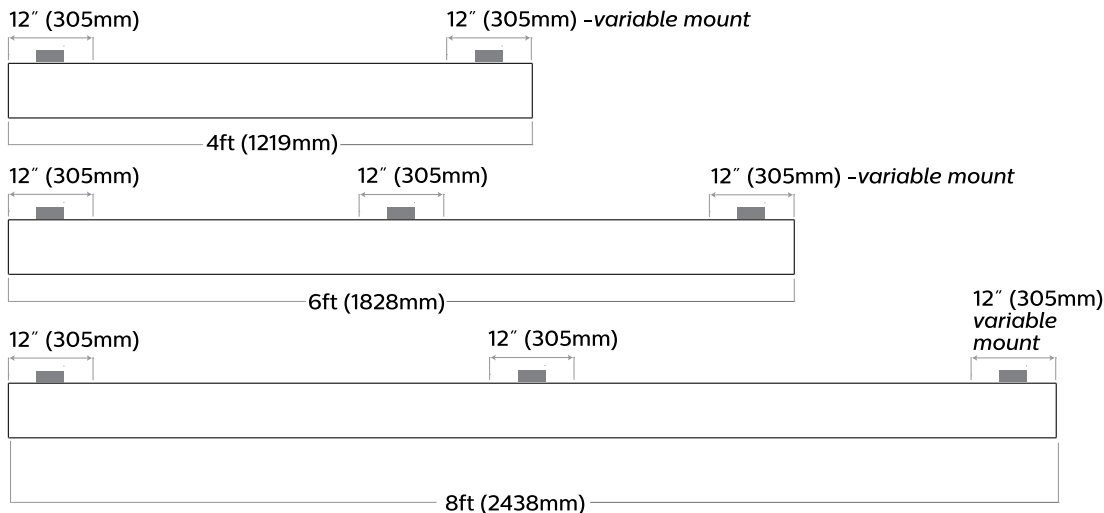


### Indirect Endcap



## Side View

### Wall Mount Without Endcaps – Top View



# TruGroove linear wall

## Specifications

### Optical System

Upper hemisphere: White light emitted from a linear array of upward-facing LEDs is shaped into a homogeneous, wide-throw batwing distribution using either a freeform elliptical lens or an engineered light guide panel. Lower hemisphere: White light emitted from a linear array of downward-facing LEDs is laterally redirected using either a biconvex lens or optical microstructures embedded in a layer of MesoOptics DX film. An extruded acrylic lens and MesoOptics film assembly then generates an optimal batwing distribution and a uniform continuum of light.

### Endcaps

Diecast flat aluminum endcaps with integral groove to match housing.

### Finish

High quality powder coated, available in matte white, black or titanium silver. Other custom colors available on request.

### Housing

Precision aluminum extrusion, post painted.

### Weight

Maximum: Suspended & Surface 3.9lb/ft, Wall 4.1lb/ft & 2'x2' Corner unit 21lb

### Electrical

Factory pre-wired to section ends with quick-wire connectors.

### Standard Drivers

Advance Xitanium 0-10V, 1-100%. Class 2 rated output. Consult Ledalite for other available drivers.

### Standard Battery Pack

Bodine, 90 min, 10W, Class 2 rated output, Emergency lumen output = 10W x luminaire efficacy x 1.1. Typical output: 1100lm.

### Lumen Maintenance

At an ambient temperature of 25°C, the LED lumen maintenance expectation according to IES TM-21-11 is:  
L80 (12k) 60,000 hrs (Reported methodology)  
L80 (6k) 110,000 hrs (Projected methodology).

### Source Color

LEDs rated for color rendering CRI >80, R9 >0 and fixture to fixture color accuracy within 2 SDCM.

### Mounting

Wall: A hidden steel rail and bracket system attaches to the existing structure and supports housings close to the wall. Mount positioning is fully variable along the modules to accommodate site conditions, spaced up to 4-1/2' on center and within 12" of an end or joint.

### Joints

Self-aligning joining system with hands-free pre-joining wire access.

### Approvals

Certified to UL, CSA and IES standards.

### Warranty

Five-year luminaire limited warranty including LED boards and driver.

### Environment

Rated for dry or damp locations in operating ambient temperatures 0-40°C (32-104°F). Certain luminaire components may be adversely affected by contaminants. Damage caused by sulfur, chlorine, petroleum based solutions or other contaminants in the area of operation are not covered under warranty. Not suitable for natatorium environments.

# TruGroove linear wall

## Photometrics

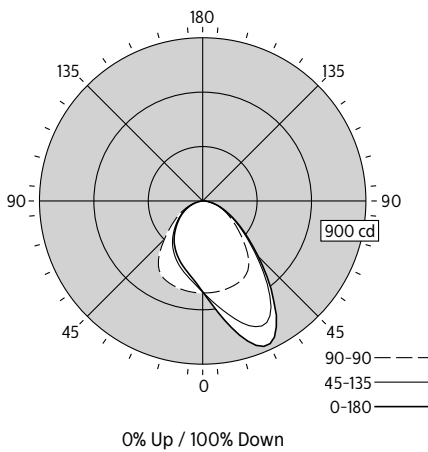
Direct Distribution (2921)

Spacing Criteria: 1.66/1.34

(Click "IES" text to Download)

Optics	Lumen Package	Nominal CRI & CCT	Flux (lm)	Watts (W)	Efficacy (LPW)	CRI	Distribution	RP-1 VDT	DLC*	IES File
Asymmetric MesoOptics Lens WN	3200 lm/4ft	80CRI, 4000K	2970	35.6	83.4	83	0% Up / 100% Down	Normal spaces	N/A	<a href="#">IES</a>
		80CRI, 3500K	2961	35.1	84.4	82	0% Up / 100% Down	Normal spaces	N/A	<a href="#">IES</a>
		80CRI, 3000K	2863	35.1	81.6	81	0% Up / 100% Down	Normal spaces	N/A	<a href="#">IES</a>
	2300 lm/4ft	80CRI, 4000K	2134	24.3	87.8	83	0% Up / 100% Down	Normal spaces	N/A	<a href="#">IES</a>
		80CRI, 3500K	2127	24.0	88.6	82	0% Up / 100% Down	Normal spaces	N/A	<a href="#">IES</a>
		80CRI, 3000K	2057	24.0	85.7	81	0% Up / 100% Down	Normal spaces	N/A	<a href="#">IES</a>
	1500 lm/4ft	80CRI, 4000K	1366	15.4	88.7	83	0% Up / 100% Down	Critical spaces	N/A	<a href="#">IES</a>
		80CRI, 3500K	1362	15.2	89.6	82	0% Up / 100% Down	Critical spaces	N/A	<a href="#">IES</a>
		80CRI, 3000K	1317	15.2	86.6	81	0% Up / 100% Down	Critical spaces	N/A	<a href="#">IES</a>

### Asymmetric MesoOptics Lens - WN



\*Candela shown is for 1500 lm/4ft, 3500K, 80 CRI configuration.

# TruGroove linear wall

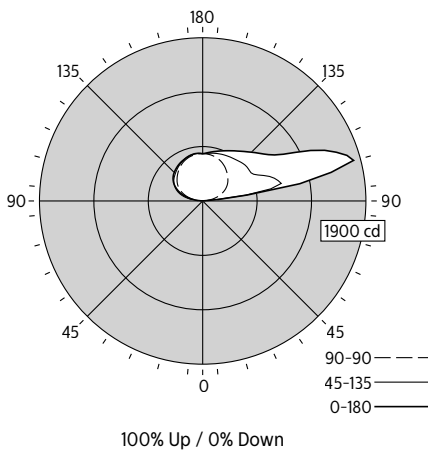
## Photometrics

Indirect Distribution (2923)

(Click "IES" text to Download)

Optics	Lumen Package	Nominal CRI & CCT	Flux (lm)	Watts (W)	Efficacy (LPW)	CRI	Distribution	RP-1 VDT	DLC*	IES File
Asymmetric Performance Lens NW	4800 lm/4ft	80CRI, 4000K	4549	40.8	111.5	83	100% Up / 0% Down	Critical spaces	N/A	<a href="#">IES</a>
		80CRI, 3500K	4464	40.8	109.4	82	100% Up / 0% Down	Critical spaces	N/A	<a href="#">IES</a>
		80CRI, 3000K	4379	40.5	108.1	81	100% Up / 0% Down	Critical spaces	N/A	<a href="#">IES</a>
	3200 lm/4ft	80CRI, 4000K	3057	25.8	118.5	83	100% Up / 0% Down	Critical spaces	N/A	<a href="#">IES</a>
		80CRI, 3500K	2998	25.8	116.2	82	100% Up / 0% Down	Critical spaces	N/A	<a href="#">IES</a>
		80CRI, 3000K	2943	25.6	115.0	81	100% Up / 0% Down	Critical spaces	N/A	<a href="#">IES</a>

### Asymmetric Performance Lens - NW



\*Candela shown is for 3200 lm/4ft, 3500K, 80 CRI configuration.

# TruGroove linear wall

## Photometrics

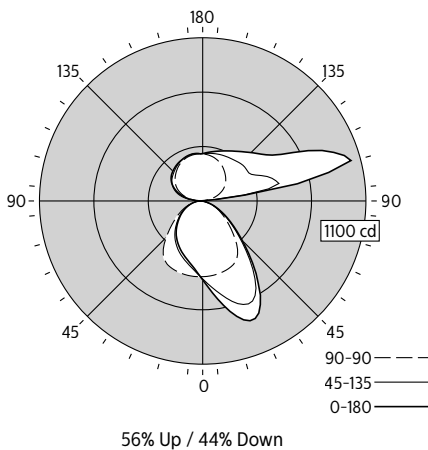
Indirect/Direct Distribution (2925)

Spacing Criteria: 1.66/1.34

(Click "IES" text to Download)

Optics	Lumen Package	Nominal CRI & CCT	Flux (lm)	Watts (W)	Efficacy (LPW)	CRI	Distribution	RP-1 VDT	DLC*	IES File
Asymmetric MesoOptics Lens + Asymmetric Performance Lens WW	5200 lm/4ft	80CRI, 4000K	4881	46.6	104.7	83	56% Up / 44% Down	Normal spaces	N/A	<a href="#">IES</a>
		80CRI, 3500K	4858	46.4	104.7	82	56% Up / 44% Down	Normal spaces	N/A	<a href="#">IES</a>
		80CRI, 3000K	4784	46.4	103.1	81	56% Up / 44% Down	Normal spaces	N/A	<a href="#">IES</a>
	4600 lm/4ft	80CRI, 4000K	4333	41.1	105.4	83	69% Up / 31% Down	Critical spaces	N/A	<a href="#">IES</a>
		80CRI, 3500K	4294	40.9	105.0	82	69% Up / 31% Down	Critical spaces	N/A	<a href="#">IES</a>
		80CRI, 3000K	4237	40.8	103.8	81	69% Up / 31% Down	Critical spaces	N/A	<a href="#">IES</a>
	3500 lm/4ft	80CRI, 4000K	3115	28.6	108.9	83	56% Up / 44% Down	Critical spaces	N/A	<a href="#">IES</a>
		80CRI, 3500K	3100	28.5	108.8	82	56% Up / 44% Down	Critical spaces	N/A	<a href="#">IES</a>
		80CRI, 3000K	3053	28.5	107.1	81	56% Up / 44% Down	Critical spaces	N/A	<a href="#">IES</a>

Asymmetric MesoOptics Lens + Asymmetric Performance Lens - WW



\*Candela shown is for 3500 lm/4ft, 3500K, 80 CRI configuration.

# TruGroove linear wall

## Photometrics

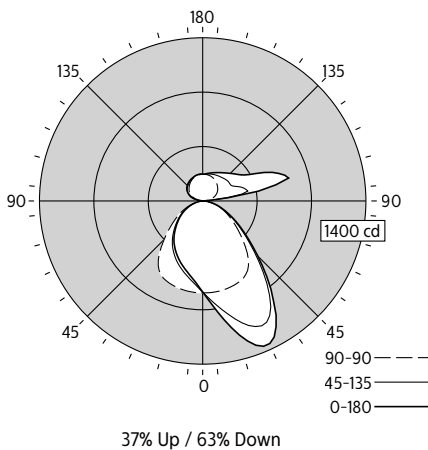
Direct/Indirect Distribution (2926)

Spacing Criteria: 1.66/1.34

(Click "IES" text to Download)

Optics	Lumen Package	Nominal CRI & CCT	Flux (lm)	Watts (W)	Efficacy (LPW)	CRI	Distribution	RP-1 VDT	DLC*	IES File
Asymmetric MesoOptics Lens + Asymmetric Performance Lens WW	5200 lm/4ft	80CRI, 4000K	4756	50.5	94.2	83	38% Up / 62% Down	Normal spaces	N/A	<a href="#">IES</a>
		80CRI, 3500K	4717	50.0	94.3	82	38% Up / 62% Down	Normal spaces	N/A	<a href="#">IES</a>
		80CRI, 3000K	4612	50.1	92.1	81	38% Up / 62% Down	Normal spaces	N/A	<a href="#">IES</a>
	4600 lm/4ft	80CRI, 4000K	4189	46.3	90.5	83	30% Up / 70% Down	Normal spaces	N/A	<a href="#">IES</a>
		80CRI, 3500K	4207	46.0	91.5	82	30% Up / 70% Down	Normal spaces	N/A	<a href="#">IES</a>
		80CRI, 3000K	4085	45.9	89.0	81	30% Up / 70% Down	Normal spaces	N/A	<a href="#">IES</a>
	3500 lm/4ft	80CRI, 4000K	3377	35.1	96.2	83	37% Up / 63% Down	Normal spaces	N/A	<a href="#">IES</a>
		80CRI, 3500K	3362	34.8	96.6	82	37% Up / 63% Down	Normal spaces	N/A	<a href="#">IES</a>
		80CRI, 3000K	3275	34.7	94.4	81	37% Up / 63% Down	Normal spaces	N/A	<a href="#">IES</a>

Asymmetric MesoOptics Lens + Asymmetric Performance Lens - WW



\*Candela shown is for 3500 lm/4ft, 3500K, 80 CRI configuration.

