

TruGroove suspended, surface & wall is driving performance beyond the edge. Innovative optics deliver exceptional uniformity and wide row spacing from a 3” aperture continuous line-of light. An extended family and refined design are perfect for lighting any professional space.

Project: _____
 Location: _____
 Cat.No: _____
 Type: _____
 Line ID: _____ Qty: _____
 Notes: _____

Ordering guide

example: 2925LBCWW087DEW

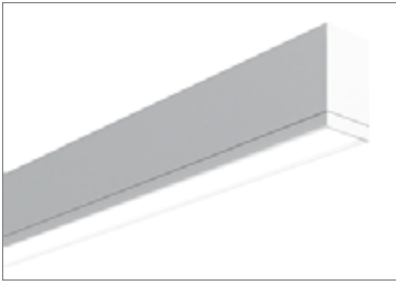
Family	Version ¹	Source	CRI/CCT ¹	Lumens ¹	Optics	Run Length	Wiring ²	Voltage	Driver ³	Finish	Option	
292		L										
292 TruGroove Wall	1 Direct	L LED	A 80CRI/4000K B 80CRI/3500K C 80CRI/3000K S 90CRI/3500K	D 4000 lm/4ft	WN Asymmetric MesoOptics Lens	02 2ft 04 4ft 06 6ft 08 8ft xx Total Run Length in 2ft increments	7 1 cct w/Dimming M 1 cct w/Dimming + Aux. Wiring N 1 cct w/Dimming + Battery Pack G 2 cct w/Dimming (Up/Down) K 2 cct w/ Dimming (Up/Down) + Aux. Wiring L 2 cct w/ Dimming (Up/Down) + Battery Pack	D UNV (120-277V) 3 347V	E Advance 0-10V (1% Dim)	W Standard White T Titanium Silver B Black C Custom	D Dust Cover (2923 Indirect version only)	
	3 Indirect			C 4800 lm/4ft E 3200 lm/4ft								NW Asymmetric Performance Lens
	5 Indirect/Direct			A 6800 lm/4ft (70% Up) B 5200 lm/4ft (60% Up) C 4600 lm/4ft (70% Up) D 3500 lm/4ft (60% Up)								WW Asymmetric MesoOptics Lens + Asymmetric Performance Lens
	6 Direct / Indirect			A 6800 lm/4ft (60% Down) B 5200 lm/4ft (60% Down) C 4600 lm/4ft (70% Down) D 3500 lm/4ft (60% Down)								

1. Nominal values within a range. Consult photometry data for CRI, color temp, lumens & distribution of chosen configuration.
 2. Not all wiring types are available with all configurations. Consult Ledalite for a complete list of available options.
 3. Consult Signify representative for other supported drivers.

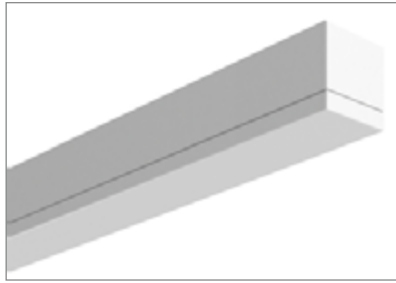


TruGroove linear wall

Direct & Direct/Indirect

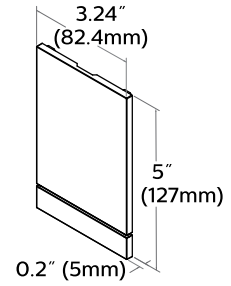


Indirect

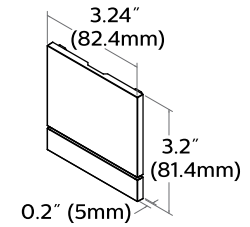


Cross Section View – Endcaps

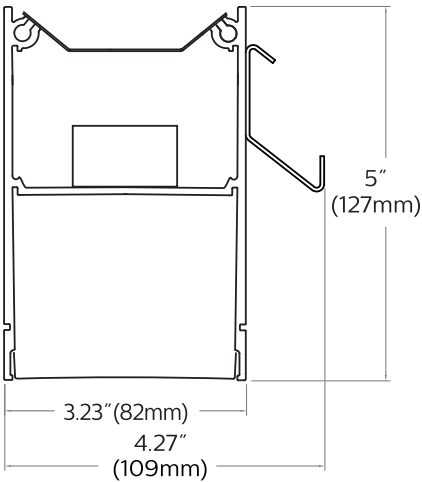
Direct/Indirect Endcap



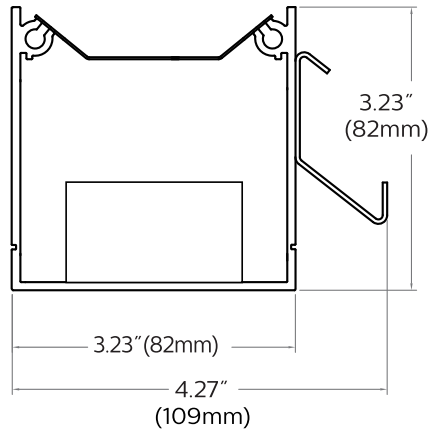
Indirect Endcap



Cross Section View

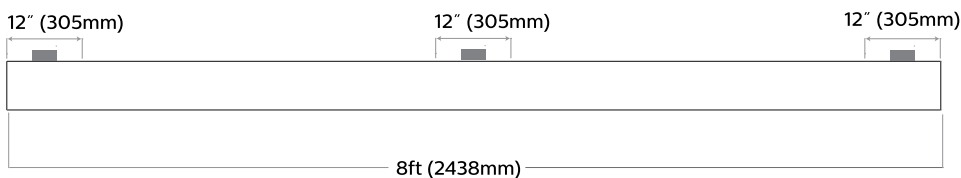
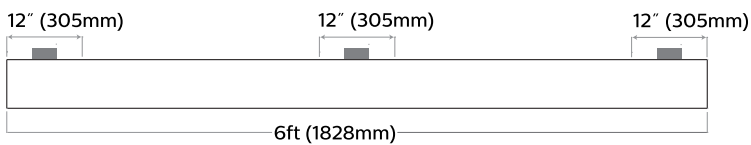
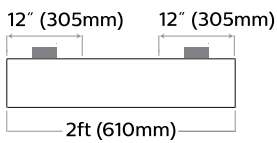


Cross Section View



Side View

Wall Mount Without Endcaps – Top View (variable mount)



TruGroove linear wall

Specifications

Optical System

Upper hemisphere: White light emitted from a linear array of upward-facing LEDs is shaped into a homogeneous, wide-throw batwing distribution using either a freeform elliptical lens or an engineered light guide panel.

Lower hemisphere: White light emitted from a linear array of downward-facing LEDs is laterally redirected using either a biconvex lens or optical microstructures embedded in a layer of MesoOptics DX film. An extruded acrylic lens and MesoOptics film assembly then generates an optimal batwing distribution and a uniform continuum of light.

Endcaps

Diecast flat aluminum endcaps with integral groove to match housing.

Finish

High quality powder coated, available in matte white, black or titanium silver. Other custom colors available on request.

Housing

Precision aluminum extrusion, post painted.

Weight

Maximum: Suspended & Surface 3.9lb/ft, Wall 4.1lb/ft & 2'x2' Corner unit 21lb

Electrical

Factory pre-wired to section ends with quick-wire connectors.

Standard Drivers

Advance Xitanium 0-10V, 1-100%. Class 2 rated output. Consult Ledalite for other available drivers.

Standard Battery Pack

Bodine, 90 min, 10W, Class 2 rated output, Emergency lumen output = 10W x luminaire efficacy x 1.1. Typical output: 1200lm.

Lumen Maintenance

At an ambient temperature of 25°C, the LED lumen maintenance expectation according to IES TM-21-11 is:
L80 (12k) 60,000 hrs (Reported methodology)
L80 (6k) 110,000 hrs (Projected methodology).

Source Color

LEDs rated for color rendering of:
CRI >80 & R9 >0
CRI >90 & R9 >50

Fixture to fixture color accuracy within:
2 SDCM for Static White luminaires

Mounting

Wall: A hidden steel rail and bracket system attaches to the existing structure and supports housings close to the wall. Mount positioning is fully variable along the modules to accommodate site conditions, spaced up to 4-1/2' on center and within 12" of an end or joint.

Joints

Self-aligning joining system with hands-free pre-joining wire access.

Approvals

Certified to UL, CSA and IES standards.

Warranty

Five-year indoor professional luminaire limited warranty including LED boards and driver. www.signify.com/warranties

Environment

Rated for dry or damp locations in operating ambient temperatures 0-40°C (32-104°F). Certain luminaire components may be adversely affected by contaminants. Damage caused by sulfur, chlorine, petroleum based solutions or other contaminants in the area of operation are not covered under warranty. Not suitable for natatorium environments.

TruGroove linear wall

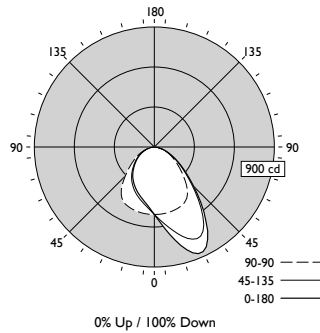
Photometrics

Direct Distribution (2921)

(Click "PDF" or "IES" text to download)

Optics	Lumen Package	Nominal CRI & CCT	Flux (lm)	Watts (W)	Efficacy (LPW)	CRI	R9	Distribution	RP-1 VDT	DLC*	PDF File	IES File
Asymmetric MesoOptics Lens - WN	4000 lm/4ft	80CRI, 4000K	3713	39	95	81	6	0% Up / 100% Down	N/A	N/A	PDF	IES
		80CRI, 3500K	3614	39	93	82	12	0% Up / 100% Down	N/A	N/A	PDF	IES
		80CRI, 3000K	3555	39	91	83	10	0% Up / 100% Down	N/A	N/A	PDF	IES
		90CRI, 3500K	3567	47	77	94	71	0% Up / 100% Down	N/A	N/A	PDF	IES
	3000 lm/4ft	80CRI, 4000K	2827	28	100	81	6	0% Up / 100% Down	Normal spaces	N/A	PDF	IES
		80CRI, 3500K	2766	28	98	82	12	0% Up / 100% Down	Normal spaces	N/A	PDF	IES
		80CRI, 3000K	2694	28	95	83	10	0% Up / 100% Down	Normal spaces	N/A	PDF	IES
		90CRI, 3500K	2706	33	81	94	71	0% Up / 100% Down	Normal spaces	N/A	PDF	IES
Spacing Criteria: 1.66/1.34	2200 lm/4ft	80CRI, 4000K	1988	19	103	81	6	0% Up / 100% Down	Normal spaces	N/A	PDF	IES
		80CRI, 3500K	1935	19	100	82	12	0% Up / 100% Down	Normal spaces	N/A	PDF	IES
		80CRI, 3000K	1904	19	98	83	10	0% Up / 100% Down	Normal spaces	N/A	PDF	IES
		90CRI, 3500K	1986	24	83	94	71	0% Up / 100% Down	Normal spaces	N/A	PDF	IES
	1500 lm/4ft	80CRI, 4000K	1394	14	100	81	6	0% Up / 100% Down	Critical spaces	N/A	PDF	IES
		80CRI, 3500K	1357	14	97	82	12	0% Up / 100% Down	Critical spaces	N/A	PDF	IES
		80CRI, 3000K	1319	14	94	83	10	0% Up / 100% Down	Critical spaces	N/A	PDF	IES
		90CRI, 3500K	1348	16	84	94	71	0% Up / 100% Down	Critical spaces	N/A	PDF	IES

Asymmetric MesoOptics Lens - WN



Candela shown is for 1500 lm/4ft, 3500K, 80 CRI configuration.

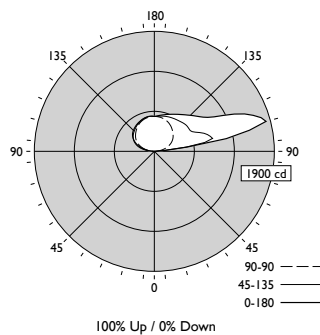
Photometrics

Indirect Distribution (2923)

(Click "PDF" or "IES" text to download)

Optics	Lumen Package	Nominal CRI & CCT	Flux (lm)	Watts (W)	Efficacy (LPW)	CRI	R9	Distribution	RP-1 VDT	DLC*	PDF File	IES File
Asymmetric Performance Lens - NW	4800 lm/4ft	80CRI, 4000K	4667	36	131	81	6	100% Up / 0% Down	Critical spaces	N/A	PDF	IES
		80CRI, 3500K	4545	36	127	82	12	100% Up / 0% Down	Critical spaces	N/A	PDF	IES
		80CRI, 3000K	4470	36	125	83	10	100% Up / 0% Down	Critical spaces	N/A	PDF	IES
		90CRI, 3500K	4530	43	105	94	71	100% Up / 0% Down	Critical spaces	N/A	PDF	IES
	3200 lm/4ft	80CRI, 4000K	3096	23	133	81	6	100% Up / 0% Down	Critical spaces	N/A	PDF	IES
		80CRI, 3500K	3015	23	130	82	12	100% Up / 0% Down	Critical spaces	N/A	PDF	IES
		80CRI, 3000K	2965	23	128	83	10	100% Up / 0% Down	Critical spaces	N/A	PDF	IES
		90CRI, 3500K	3023	27	112	94	71	100% Up / 0% Down	Critical spaces	N/A	PDF	IES

Asymmetric Performance Lens - NW



Candela shown is for 3200 lm/4ft, 3500K, 80 CRI configuration.

TruGroove linear wall

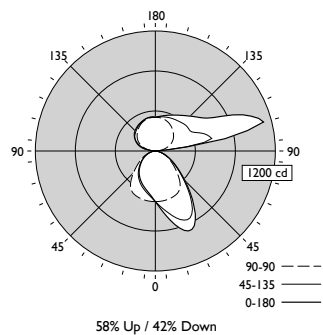
Photometrics

Indirect/Direct Distribution (2925)

(Click "PDF" or "IES" text to download)

Optics	Lumen Package	Nominal CRI & CCT	Flux (lm)	Watts (W)	Efficacy (LPW)	CRI	R9	Distribution	RP-1 VDT	DLC*	PDF File	IES File
Asymmetric MesoOptics Lens + Asymmetric Lens - WW	6800 lm/4ft	80CRI, 4000K	6470	52	124	81	6	69% Up / 31% Down	Normal spaces	N/A	PDF	IES
		80CRI, 3500K	6300	52	121	82	12	69% Up / 31% Down	Normal spaces	N/A	PDF	IES
		80CRI, 3000K	6196	52	119	83	10	69% Up / 31% Down	Normal spaces	N/A	PDF	IES
	5200 lm/4ft	90CRI, 3500K	6329	63	100	94	71	69% Up / 31% Down	Normal spaces	N/A	PDF	IES
		80CRI, 4000K	4689	38	123	81	6	58% Up / 42% Down	Normal spaces	N/A	PDF	IES
		80CRI, 3500K	4566	38	120	82	12	58% Up / 42% Down	Normal spaces	N/A	PDF	IES
Spacing Criteria: 1.66/1.34	4600 lm/4ft	80CRI, 3000K	4491	38	118	83	10	58% Up / 42% Down	Normal spaces	N/A	PDF	IES
		90CRI, 3500K	4686	48	98	94	71	58% Up / 42% Down	Normal spaces	N/A	PDF	IES
		80CRI, 4000K	4490	36	124	81	6	69% Up / 31% Down	Critical spaces	N/A	PDF	IES
	3500 lm/4ft	80CRI, 3500K	4372	36	120	82	12	69% Up / 31% Down	Critical spaces	N/A	PDF	IES
		80CRI, 3000K	4300	36	119	83	10	69% Up / 31% Down	Critical spaces	N/A	PDF	IES
		90CRI, 3500K	4371	42	104	94	71	69% Up / 31% Down	Critical spaces	N/A	PDF	IES
3500 lm/4ft	80CRI, 4000K	3288	28	119	81	6	58% Up / 42% Down	Critical spaces	N/A	PDF	IES	
	80CRI, 3500K	3201	28	116	82	12	58% Up / 42% Down	Critical spaces	N/A	PDF	IES	
	80CRI, 3000K	3148	28	114	83	10	58% Up / 42% Down	Critical spaces	N/A	PDF	IES	
3500 lm/4ft	90CRI, 3500K	3180	32	101	94	71	58% Up / 42% Down	Critical spaces	N/A	PDF	IES	

Asymmetric MesoOptics Lens - WW



Candela shown is for 3500 lm/4ft, 3500K, 80 CRI configuration.

TruGroove linear wall

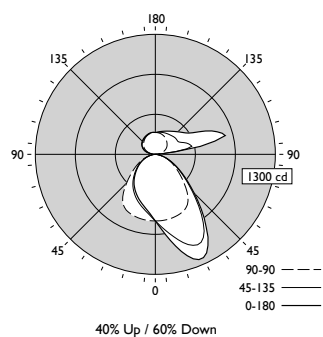
Photometrics

Direct/Indirect Distribution (2926)

(Click "PDF" or "IES" text to download)

Optics	Lumen Package	Nominal CRI & CCT	Flux (lm)	Watts (W)	Efficacy (LPW)	CRI	R9	Distribution	RP-1 VDT	DLC*	PDF File	IES File	
Asymmetric MesoOptics Lens + Asymmetric Performance Lens - WW	6800 lm/4ft	80CRI, 4000K	6364	58	110	81	6	42% Up / 58% Down	N/A	N/A	PDF	IES	
		80CRI, 3500K	6196	58	107	82	12	42% Up / 58% Down	N/A	N/A	PDF	IES	
		80CRI, 3000K	6094	58	105	83	10	42% Up / 58% Down	N/A	N/A	PDF	IES	
	5200 lm/4ft	90CRI, 3500K	6204	69	90	94	94	71	44% Up / 56% Down	N/A	N/A	PDF	IES
		80CRI, 4000K	4837	43	112	81	6	41% Up / 59% Down	Normal spaces	N/A	PDF	IES	
		80CRI, 3500K	4710	43	109	82	12	41% Up / 59% Down	Normal spaces	N/A	PDF	IES	
Spacing Criteria: 1.66/1.34	4600 lm/4ft	80CRI, 3000K	4632	43	107	83	10	41% Up / 59% Down	Normal spaces	N/A	PDF	IES	
		90CRI, 3500K	4748	51	94	94	71	43% Up / 57% Down	Normal spaces	N/A	PDF	IES	
		80CRI, 4000K	4219	39	108	81	6	33% Up / 67% Down	Normal spaces	N/A	PDF	IES	
	3500 lm/4ft	80CRI, 3500K	4108	39	105	82	12	33% Up / 67% Down	Normal spaces	N/A	PDF	IES	
		80CRI, 3000K	4040	39	104	83	10	33% Up / 67% Down	Normal spaces	N/A	PDF	IES	
		90CRI, 3500K	4070	45	90	94	71	34% Up / 66% Down	Normal spaces	N/A	PDF	IES	
		80CRI, 4000K	3314	30	112	81	6	40% Up / 60% Down	Normal spaces	N/A	PDF	IES	
		80CRI, 3500K	3227	30	109	82	12	40% Up / 60% Down	Normal spaces	N/A	PDF	IES	
		80CRI, 3000K	3174	30	108	83	10	40% Up / 60% Down	Normal spaces	N/A	PDF	IES	
		90CRI, 3500K	3220	35	91	94	71	38% Up / 62% Down	Normal spaces	N/A	PDF	IES	

Asymmetric MesoOptics Lens - WW



Candela shown is for 3500 lm/4ft, 3500K, 80 CRI configuration.

