



**TruGroove** suspended, surface & wall is driving performance beyond the edge. Innovative optics deliver exceptional uniformity and wide row spacing from a 3" aperture continuous line-of light. An extended family and refined design are perfect for lighting any professional space.

Project: \_\_\_\_\_  
 Location: \_\_\_\_\_  
 Cat.No: \_\_\_\_\_  
 Type: \_\_\_\_\_  
 Line ID: \_\_\_\_\_ Qty: \_\_\_\_\_  
 Notes: \_\_\_\_\_

**Ordering guide**

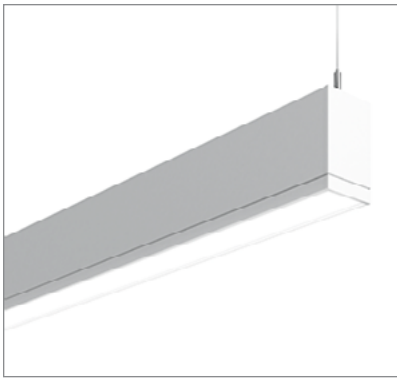
example: 2905LBCQQ087DET, A3-48

Family	Version <sup>1</sup>	Source	CRI/CCT <sup>1</sup>	Lumens <sup>1</sup>	Optics	Run Length	Wiring <sup>2</sup>		
<b>290</b>		<b>L</b>							
<b>290</b> TruGroove Suspended	<b>1</b> Direct	<b>L</b> LED	<b>A</b> 80CRI/4000K <b>B</b> 80CRI/3500K <b>C</b> 80CRI/3000K	<b>E</b> 3200 lm/4ft	<b>QN</b> Symmetric MesoOptics Lens <b>WN</b> Asymmetric MesoOptics Lens	<b>04</b> 4ft <b>06</b> 6ft <b>08</b> 8ft <b>A4</b> 2ft x 2ft Corner <b>xx</b> Continuous Run (4ft increments)	<b>7</b> 1cct Dimming <b>M</b> 1cct Dimming + EM Wiring <b>N</b> 1cct Dimming + EM Batt. Pack <b>G</b> 2cct Dimming (Up/Down) <b>K</b> 2cct Dimming + EM Wiring <b>L</b> 2cct Dimming + EM Batt. Pack		
				<b>G</b> 2300 lm/4ft					
	<b>3</b> Indirect			<b>K</b> 1500 lm/4ft	<b>NQ</b> Symmetric Performance Lens <b>NW</b> Asymmetric Performance Lens				
				<b>C</b> 4800 lm/4ft					
	<b>5</b> Indirect/Direct			<b>E</b> 3200 lm/4ft	<b>QQ</b> Symmetric MesoOptics Lens + Symmetric Performance Lens <b>WW</b> Asymmetric MesoOptics Lens + Asymmetric Performance Lens				
				<b>B</b> 5200 lm/4ft (60% Up) <b>C</b> 4600 lm/4ft (70% Up) <b>D</b> 3500 lm/4ft (60% Up)					
	<b>6</b> Direct /Indirect		<b>B</b> 5200 lm/4ft (60% Down) <b>C</b> 4600 lm/4ft (70% Down) <b>D</b> 3500 lm/4ft (60% Down)						
	Voltage		Driver	Finish	Options	Sensor	Mount Type	Suspension	
	<b>D</b> UNV 120-277V <b>3</b> 347V		<b>E</b> Advance 0-10V (1% Dim)	<b>W</b> Standard White <b>T</b> Titanium Silver <b>B</b> Black <b>C</b> Custom	(none - leave blank)	(none - leave blank)	<b>A1</b> Non-accessible ceiling, 0°-15° Slope Mount <b>A2</b> T-grid Fixed Position Mount <b>A3</b> Non-accessible ceiling, 0°-90° Slope Mount <b>A5</b> T-grid 24" Span Mount (non tegular tile only) <b>A6-1</b> T-grid On-grid Mount 15/16" (non tegular tile only) <b>A6-2</b> T-grid On-grid Mount 9/16" (non tegular tile only) <b>A6-3</b> T-grid On-grid Mount 9/16" x 5/16" (slot tee & tegular tile)	<b>24</b> 24" <b>48</b> 48" <b>96</b> 96" <b>144</b> 144"	
	<b>D</b> UNV 120-277V			<b>S</b> Advance Sensor Ready (5% dim)	<b>N</b> No Option	<b>SZ</b> SpaceWise DT Occupancy & Daylight Sensor			

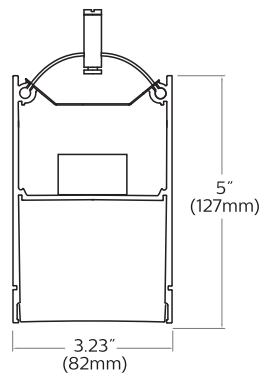
1. Nominal values within a range. Consult photometry data for CRI, color temp, lumens & distribution of chosen configuration.  
 2. Not all wiring types are available with all configurations. Consult Ledalite for a complete list of available options.

# TruGroove linear suspended

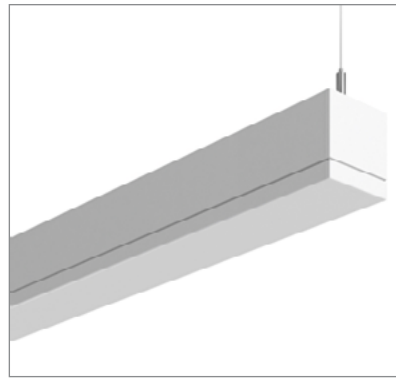
Direct & Direct/Indirect



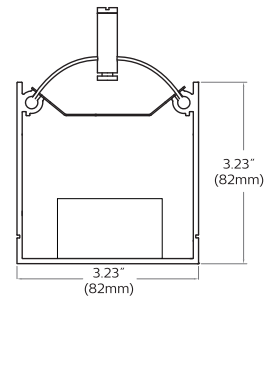
Cross Section View



Indirect



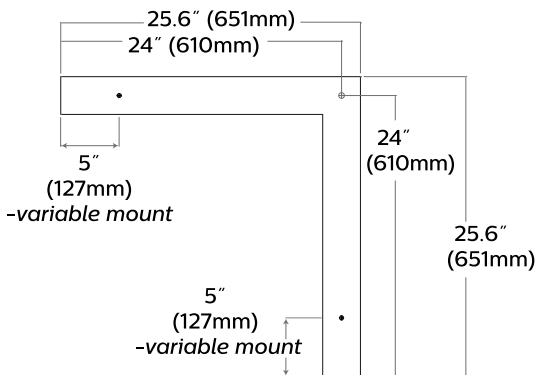
Cross Section View



## Module Details & Dimensions

### Top View

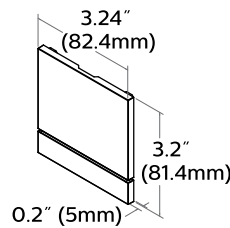
Suspended 2'x2' Corners Without Endcaps



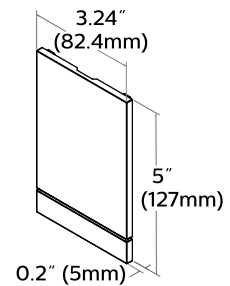
Note: In corners, the upper hemisphere is always symmetric.

## Cross Section View – Endcaps

Indirect Endcap

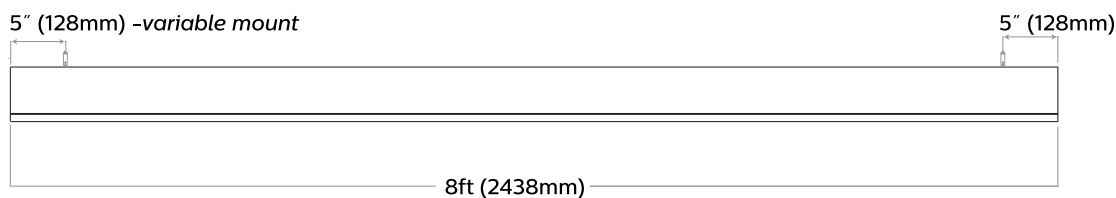
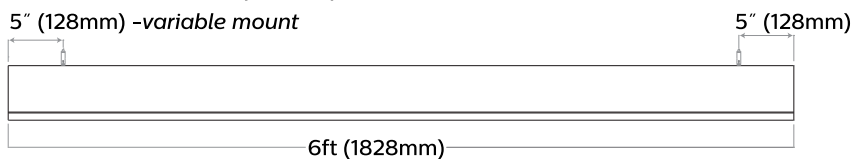
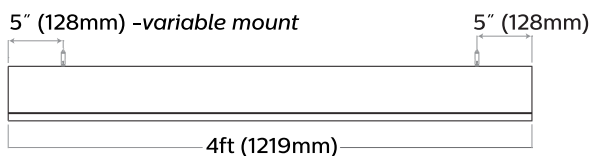


Direct/Indirect Endcap



### Side View

Suspended Linear Modules Without Endcaps



# TruGroove linear suspended

## Specifications

### Optical System

Upper hemisphere: White light emitted from a linear array of upward-facing LEDs is shaped into a homogeneous, wide-throw batwing distribution using either a freeform elliptical lens or an engineered light guide panel. Lower hemisphere: White light emitted from a linear array of downward-facing LEDs is laterally redirected using either a biconvex lens or optical microstructures embedded in a layer of MesoOptics DX film. An extruded acrylic lens and MesoOptics film assembly then generates an optimal batwing distribution and a uniform continuum of light.

### Endcaps

Diecast flat aluminum endcaps with integral groove to match housing.

### Finish

High quality powder coated, available in matte white, black or titanium silver. Other custom colors available on request. White sensors only.

### Housing

Precision aluminum extrusion, post painted.

### Weight

Maximum: Suspended & Surface 3.9lb/ft, Wall 4.1lb/ft & 2'x2' Corner unit 21lb.

### Electrical

Factory pre-wired to section ends with quick-wire connectors.

### QuickShip

Available for certain configurations upon request. Limit 500 linear ft per order.

### Standard Drivers

Advance Xitanium 0-10V, 1-100%. Advance Xitanium Sensor Ready (SR), 5-100% (for SpaceWise DT). Class 2 rated output. Consult Ledalite for other available drivers.

### Standard Battery Pack

Bodine, 90 min, 10W, Class 2 rated output, Emergency lumen output = 10W x luminaire efficacy x 1.1. Typical output: 1100lm.

### Lumen Maintenance

At an ambient temperature of 25°C, the LED lumen maintenance expectation according to IES TM-21-11 is:  
L80 (12k) 60,000 hrs (Reported methodology)  
L80 (6k) 110,000 hrs (Projected methodology).

### Source Color

LEDs rated for color rendering CRI >80, R9 >0 and fixture to fixture color accuracy within 2 SDCM.

### Controls

Suspended version available with SpaceWise DT occupancy & daylight sensor w/advanced grouping & dwell time. SpaceWise DT commissioning via Android phone App. Compatible dimming wireless wall switches are available.

### Mounting

Suspended: Variable sling mount allows +/- 5" of horizontal adjustment from joint or end. Aircraft cable and tamper-resistant gripper provide unlimited vertical adjustment and are independently tested to stringent safety standards.

### Joints

Self-aligning joining system with hands-free pre-joining wire access.

### Approvals

Certified to UL, CSA and IES standards. Certain symmetric indirect/direct and indirect versions are DesignLights Consortium® qualified. Please see the DLC QPL list for exact catalog numbers ([www.designlights.org/QPL](http://www.designlights.org/QPL)).

### Warranty

Five-year luminaire limited warranty including LED boards and driver.

### Environment

Rated for dry or damp locations in operating ambient temperatures 0-40°C (32-104°F). Certain luminaire components may be adversely affected by contaminants. Damage caused by sulfur, chlorine, petroleum based solutions or other contaminants in the area of operation are not covered under warranty. Not suitable for natatorium environments

# TruGroove linear suspended

## Photometrics

Direct Distribution (2901)

Spacing Criteria: 1.15/1.63

(Click "IES" text to Download)

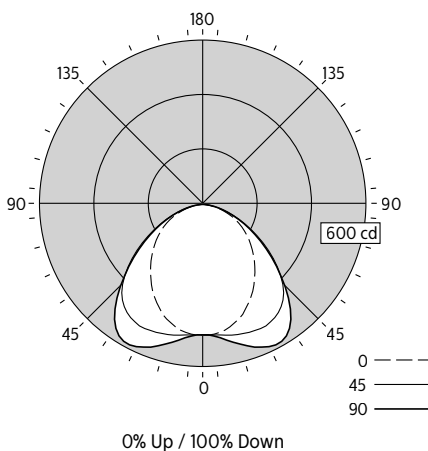
Optics	Lumen Package	Nominal CRI & CCT	Flux (lm)	Watts (W)	Efficacy (LPW)	CRI	R9	Distribution	RP-1 VDT	DLC*	IES File
Symmetric MesoOptics Lens QN	3200 lm/4ft	80CRI, 4000K	3257	35.4	92.0	83	13	0% Up / 100% Down	N/A	N/A	<a href="#">IES</a>
		80CRI, 3500K	3247	34.9	93.0	82	6	0% Up / 100% Down	N/A	N/A	<a href="#">IES</a>
		80CRI, 3000K	3140	34.9	90.0	81	2	0% Up / 100% Down	N/A	N/A	<a href="#">IES</a>
	2300 lm/4ft	80CRI, 4000K	2340	24.1	97.1	83	13	0% Up / 100% Down	Normal spaces	N/A	<a href="#">IES</a>
		80CRI, 3500K	2332	23.8	98.0	82	6	0% Up / 100% Down	Normal spaces	N/A	<a href="#">IES</a>
		80CRI, 3000K	2254	23.8	94.7	81	3	0% Up / 100% Down	Normal spaces	N/A	<a href="#">IES</a>
	1500 lm/4ft	80CRI, 4000K	1498	15.3	97.9	83	13	0% Up / 100% Down	Critical spaces	N/A	<a href="#">IES</a>
		80CRI, 3500K	1493	15.1	98.9	82	6	0% Up / 100% Down	Critical spaces	N/A	<a href="#">IES</a>
		80CRI, 3000K	1444	15.1	95.6	81	4	0% Up / 100% Down	Critical spaces	N/A	<a href="#">IES</a>

Spacing Criteria: 1.66/1.34

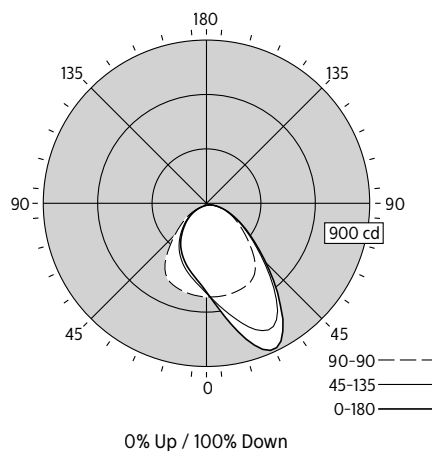
Asymmetric MesoOptics Lens WN	3200 lm/4ft	80CRI, 4000K	2970	35.6	83.4	83	13	0% Up / 100% Down	Normal spaces	N/A	<a href="#">IES</a>
		80CRI, 3500K	2961	35.1	84.4	82	6	0% Up / 100% Down	Normal spaces	N/A	<a href="#">IES</a>
		80CRI, 3000K	2863	35.1	81.6	81	2	0% Up / 100% Down	Normal spaces	N/A	<a href="#">IES</a>
	2300 lm/4ft	80CRI, 4000K	2134	24.3	87.8	83	13	0% Up / 100% Down	Normal spaces	N/A	<a href="#">IES</a>
		80CRI, 3500K	2127	24.0	88.6	82	6	0% Up / 100% Down	Normal spaces	N/A	<a href="#">IES</a>
		80CRI, 3000K	2057	24.0	85.7	81	3	0% Up / 100% Down	Normal spaces	N/A	<a href="#">IES</a>
	1500 lm/4ft	80CRI, 4000K	1366	15.4	88.7	83	13	0% Up / 100% Down	Critical spaces	N/A	<a href="#">IES</a>
		80CRI, 3500K	1362	15.2	89.6	82	6	0% Up / 100% Down	Critical spaces	N/A	<a href="#">IES</a>
		80CRI, 3000K	1317	15.2	86.6	81	4	0% Up / 100% Down	Critical spaces	N/A	<a href="#">IES</a>

\*DLC is only available with Advance 0-10V (1% dim) drivers. EM Batt. Packs are also not available on DLC.

Symmetric MesoOptics Lens - QN



Asymmetric MesoOptics Lens - WN



\*Candela shown is for 1500 lm/4ft, 3500K, 80 CRI configuration.

# TruGroove linear suspended

## Photometrics

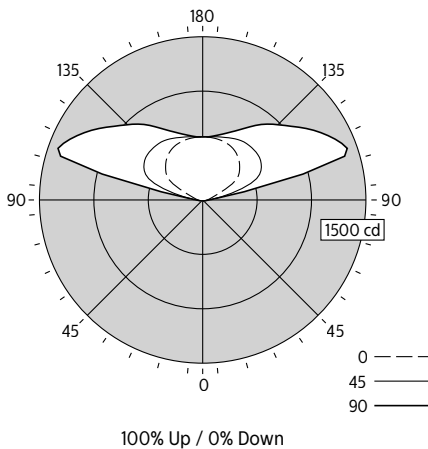
Indirect Distribution (2903)

(Click "IES" text to Download)

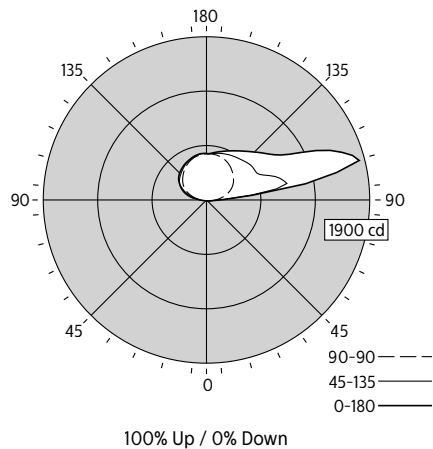
Optics	Lumen Package	Nominal CRI & CCT	Flux (lm)	Watts (W)	Efficacy (LPW)	CRI	R9	Distribution	RP-1 VDT	DLC*	IES File
Symmetric Performance Lens NQ	4800 lm/4ft	80CRI, 4000K	4856	41.0	118.4	83	13	100% Up / 0% Down	Critical spaces	Standard	<a href="#">IES</a>
		80CRI, 3500K	4765	41.0	116.2	82	6	100% Up / 0% Down	Critical spaces	Standard	<a href="#">IES</a>
		80CRI, 3000K	4673	40.7	114.8	81	3	100% Up / 0% Down	Critical spaces	Standard	<a href="#">IES</a>
	3200 lm/4ft	80CRI, 4000K	3263	25.9	126.0	83	13	100% Up / 0% Down	Critical spaces	Standard	<a href="#">IES</a>
		80CRI, 3500K	3200	25.9	123.6	82	6	100% Up / 0% Down	Critical spaces	Standard	<a href="#">IES</a>
		80CRI, 3000K	3141	25.7	122.2	81	4	100% Up / 0% Down	Critical spaces	Standard	<a href="#">IES</a>
Asymmetric Performance Lens NW	4800 lm/4ft	80CRI, 4000K	4549	40.8	111.5	83	13	100% Up / 0% Down	Critical spaces	N/A	<a href="#">IES</a>
		80CRI, 3500K	4464	40.8	109.4	82	6	100% Up / 0% Down	Critical spaces	N/A	<a href="#">IES</a>
		80CRI, 3000K	4379	40.5	108.1	81	3	100% Up / 0% Down	Critical spaces	N/A	<a href="#">IES</a>
	3200 lm/4ft	80CRI, 4000K	3057	25.8	118.5	83	13	100% Up / 0% Down	Critical spaces	N/A	<a href="#">IES</a>
		80CRI, 3500K	2998	25.8	116.2	82	6	100% Up / 0% Down	Critical spaces	N/A	<a href="#">IES</a>
		80CRI, 3000K	2943	25.6	115.0	81	4	100% Up / 0% Down	Critical spaces	N/A	<a href="#">IES</a>

\*DLC is only available with Advance 0-10V (1% dim) drivers. EM Batt. Packs are also not available on DLC.

Symmetric Performance Lens - NQ



Asymmetric Performance Lens - NW



\*Candela shown is for 3200 lm/4ft, 3500K, 80 CRI configuration.

# TruGroove linear suspended

## Photometrics

Indirect/Direct Distribution (2905)

Spacing Criteria: 1.14/1.62

(Click "IES" text to Download)

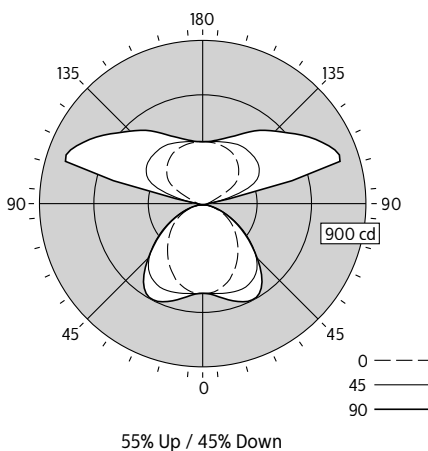
Optics	Lumen Package	Nominal CRI & CCT	Flux (lm)	Watts (W)	Efficacy (LPW)	CRI	R9	Distribution	RP-1 VDT	DLC*	IES File
Symmetric MesoOptics Lens + Symmetric Performance Lens QQ	5200 lm/4ft	80CRI, 4000K	5271	46.6	113.1	83	13	55% Up / 45% Down	Normal spaces	Standard	<a href="#">IES</a>
		80CRI, 3500K	5247	46.4	113.1	82	7	55% Up / 45% Down	Normal spaces	Standard	<a href="#">IES</a>
		80CRI, 3000K	5168	46.4	111.4	81	3	55% Up / 45% Down	Normal spaces	Standard	<a href="#">IES</a>
	4600 lm/4ft	80CRI, 4000K	4665	41.1	113.5	83	13	68% Up / 32% Down	Critical spaces	Standard	<a href="#">IES</a>
		80CRI, 3500K	4624	40.9	113.1	82	6	68% Up / 32% Down	Critical spaces	Standard	<a href="#">IES</a>
		80CRI, 3000K	4560	40.8	111.8	81	4	68% Up / 32% Down	Critical spaces	Standard	<a href="#">IES</a>
	3500 lm/4ft	80CRI, 4000K	3364	28.6	117.6	83	13	55% Up / 45% Down	Critical spaces	Standard	<a href="#">IES</a>
		80CRI, 3500K	3348	28.5	117.5	82	7	55% Up / 45% Down	Critical spaces	Standard	<a href="#">IES</a>
		80CRI, 3000K	3298	28.5	115.7	81	4	55% Up / 45% Down	Critical spaces	Standard	<a href="#">IES</a>

Spacing Criteria: 1.66/1.34

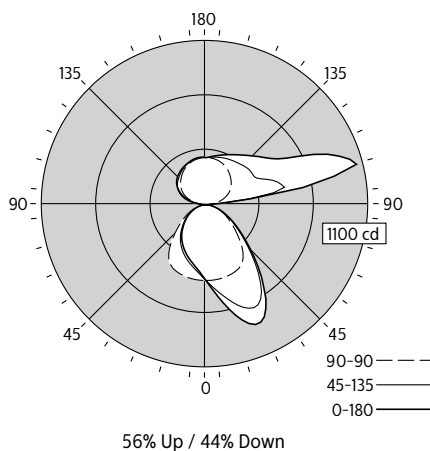
Asymmetric MesoOptics Lens + Asymmetric Performance Lens WW	5200 lm/4ft	80CRI, 4000K	4881	46.6	104.7	83	13	56% Up / 44% Down	Normal spaces	N/A	<a href="#">IES</a>
		80CRI, 3500K	4858	46.4	104.7	82	7	56% Up / 44% Down	Normal spaces	N/A	<a href="#">IES</a>
		80CRI, 3000K	4784	46.4	103.1	81	3	56% Up / 44% Down	Normal spaces	N/A	<a href="#">IES</a>
	4600 lm/4ft	80CRI, 4000K	4333	41.1	105.4	83	13	69% Up / 31% Down	Critical spaces	N/A	<a href="#">IES</a>
		80CRI, 3500K	4294	40.9	105.0	82	6	69% Up / 31% Down	Critical spaces	N/A	<a href="#">IES</a>
		80CRI, 3000K	4237	40.8	103.8	81	4	69% Up / 31% Down	Critical spaces	N/A	<a href="#">IES</a>
	3500 lm/4ft	80CRI, 4000K	3115	28.6	108.9	83	13	56% Up / 44% Down	Critical spaces	N/A	<a href="#">IES</a>
		80CRI, 3500K	3100	28.5	108.8	82	7	56% Up / 44% Down	Critical spaces	N/A	<a href="#">IES</a>
		80CRI, 3000K	3053	28.5	107.1	81	4	56% Up / 44% Down	Critical spaces	N/A	<a href="#">IES</a>

\*DLC is only available with Advance 0-10V (1% dim) drivers. EM Batt. Packs are also not available on DLC.

Symmetric MesoOptics Lens + Symmetric Performance Lens - QQ



Asymmetric MesoOptics Lens + Asymmetric Performance Lens - WW



\*Candela shown is for 3500 lm/4ft, 3500K, 80 CRI configuration.

# TruGroove linear suspended

## Photometrics

Direct/Indirect Distribution (2906)

Spacing Criteria: 1.14/1.62

(Click "IES" text to Download)

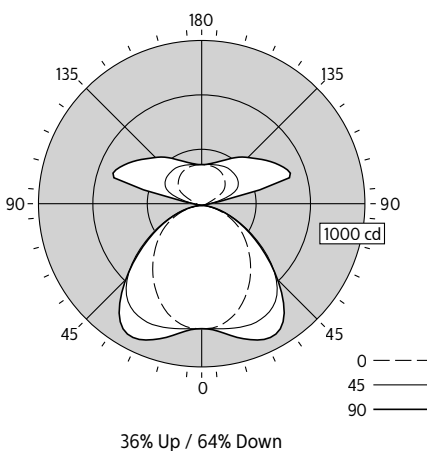
Optics	Lumen Package	Nominal CRI & CCT	Flux (lm)	Watts (W)	Efficacy (LPW)	CRI	R9	Distribution	RP-1 VDT	DLC*	IES File
Symmetric MesoOptics Lens + Symmetric Performance Lens QQ	5200 lm/4ft	80CRI, 4000K	5161	50.5	102.2	83	13	37% Up / 63% Down	N/A	N/A	<a href="#">IES</a>
		80CRI, 3500K	5121	50.0	102.4	82	6	37% Up / 63% Down	N/A	Standard	<a href="#">IES</a>
		80CRI, 3000K	5006	50.1	99.9	81	3	37% Up / 63% Down	N/A	N/A	<a href="#">IES</a>
	4600 lm/4ft	80CRI, 4000K	4555	46.3	98.4	83	13	29% Up / 71% Down	N/A	N/A	<a href="#">IES</a>
		80CRI, 3500K	4577	46.0	99.5	82	6	29% Up / 71% Down	N/A	N/A	<a href="#">IES</a>
		80CRI, 3000K	4444	45.9	96.8	81	3	29% Up / 71% Down	N/A	N/A	<a href="#">IES</a>
	3500 lm/4ft	80CRI, 4000K	3666	35.1	104.4	83	13	36% Up / 64% Down	Normal spaces	Standard	<a href="#">IES</a>
		80CRI, 3500K	3651	34.8	104.9	82	6	36% Up / 64% Down	Normal spaces	Standard	<a href="#">IES</a>
		80CRI, 3000K	3555	34.7	102.4	81	4	36% Up / 64% Down	Normal spaces	Standard	<a href="#">IES</a>

Spacing Criteria: 1.66/1.34

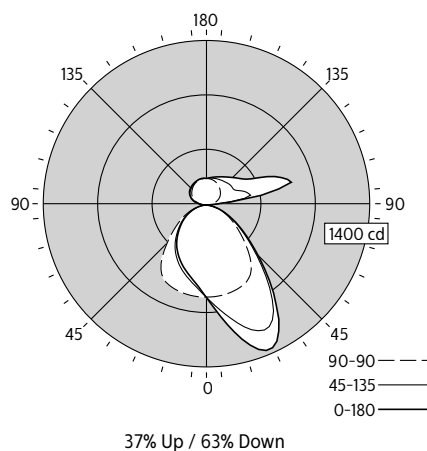
Asymmetric MesoOptics Lens + Asymmetric Performance Lens WW	5200 lm/4ft	80CRI, 4000K	4756	50.5	94.2	83	13	38% Up / 62% Down	Normal spaces	N/A	<a href="#">IES</a>
		80CRI, 3500K	4717	50.0	94.3	82	6	38% Up / 62% Down	Normal spaces	N/A	<a href="#">IES</a>
		80CRI, 3000K	4612	50.1	92.1	81	3	38% Up / 62% Down	Normal spaces	N/A	<a href="#">IES</a>
	4600 lm/4ft	80CRI, 4000K	4189	46.3	90.5	83	13	30% Up / 70% Down	Normal spaces	N/A	<a href="#">IES</a>
		80CRI, 3500K	4207	46.0	91.5	82	6	30% Up / 70% Down	Normal spaces	N/A	<a href="#">IES</a>
		80CRI, 3000K	4085	45.9	89.0	81	3	30% Up / 70% Down	Normal spaces	N/A	<a href="#">IES</a>
	3500 lm/4ft	80CRI, 4000K	3377	35.1	96.2	83	13	37% Up / 63% Down	Normal spaces	N/A	<a href="#">IES</a>
		80CRI, 3500K	3362	34.8	96.6	82	6	37% Up / 63% Down	Normal spaces	N/A	<a href="#">IES</a>
		80CRI, 3000K	3275	34.7	94.4	81	4	37% Up / 63% Down	Normal spaces	N/A	<a href="#">IES</a>

\*DLC is only available with Advance 0-10V (1% dim) drivers. EM Batt. Packs are also not available on DLC.

Symmetric MesoOptics Lens + Symmetric Performance Lens - QQ



Asymmetric MesoOptics Lens + Asymmetric Performance Lens - WW



\*Candela shown is for 3500 lm/4ft, 3500K, 80 CRI configuration.

