



TruGroove suspended, surface & wall is driving performance beyond the edge. Innovative optics deliver exceptional uniformity and wide row spacing from a 3" aperture continuous line-of light. An extended family and refined design are perfect for lighting any professional space.

Project: _____
 Location: _____
 Cat.No: _____
 Type: _____
 Line ID: _____ Qty: _____
 Notes: _____

Ordering guide

example: 2905LBCQQ087DET, A3-48

Family	Version ¹	Source	CRI/CCT ¹	Lumens ¹	Optics	Run Length	Wiring ²	Voltage	Driver ³	Finish	Controls
290		L									
290 TruGroove Suspended	1 Direct	L LED	A 80CRI/4000K B 80CRI/3500K C 80CRI/3000K S 90CRI/3500K	D 4000 lm/4ft	QN Symmetric MesoOptics Lens WN Asymmetric MesoOptics Lens LN Flush Silk Lens	02 2ft 04 4ft 06 6ft 08 8ft A4 2 x 2ft Corner xx Total Run Length in 2ft increments	7 1 cct w/Dimming M 1 cct w/Dimming + Aux. Wiring N 1 cct w/Dimming + Battery Pack G 2 cct w/Dimming (Up/Down) K 2 cct w/Dimming (Up/Down) + Aux. Wiring L 2 cct w/Dimming (Up/Down) + Battery Pack	D UNV (120-277V) 3 347V	E Advance 0-10V (1% Dim) S Advance Sensor Ready (5% Dim)	W Standard White T Titanium Silver B Black C Custom	SZ SpaceWise DT
				E 3000 lm/4ft							
				G 2200 lm/4ft							
				K 1500 lm/4ft							
	3 Indirect			C 4800 lm/4ft	NQ Symmetric Performance Lens NW Asymmetric Performance Lens						
				E 3200 lm/4ft							
	5 Indirect / Direct			A 6800 lm/4ft (70% Up)	LQ Flush Silk Lens dn & Symmetric Performance Lens up QQ Symmetric MesoOptics Lens dn & Symmetric Performance Lens up WW Asymmetric MesoOptics Lens dn & Asymmetric Performance Lens up						
				B 5200 lm/4ft (60% Up)							
				C 4600 lm/4ft (70% Up)							
				D 3500 lm/4ft (60% Up)							
	6 Direct / Indirect			A 6800 lm/4ft (60% Down)	WW Asymmetric MesoOptics Lens dn & Asymmetric Performance Lens up						
				B 5200 lm/4ft (60% Down)							
C 4600 lm/4ft (70% Down)											
D 3500 lm/4ft (60% Down)											
Mount Type				Suspension							
A1	Non-accessible ceiling, 0°-15° Slope Mount			24 24"							
A2	T-grid Fixed Position Mount			48 48"							
A3	Non-accessible ceiling, 0°-90° Slope Mount			96 96"							
A5	T-grid 24" Span Mount (non tegular tile only)			144 144"							
A6-1	T-grid On-grid Mount 15/16" (non tegular tile only)										
A6-2	T-grid On-grid Mount 9/16" (non tegular tile only)										
A6-3	T-grid On-grid Mount 9/16" x 5/16" (slot tee & tegular tile)										

1. Nominal values within a range. Consult photometry data for CRI, color temp, lumens & distribution of chosen configuration.
 2. Not all wiring types are available with all configurations. Consult Ledalite for a complete list of available options.
 3. Consult Signify representative for other supported drivers.



TruGroove linear suspended

Ordering guide - Connected systems

example: 2901LBGQN087DSWNIP, A2-48

Family	Version ¹	Source	CRI/CCT ¹	Lumens ¹	Optics	Run Length	Wiring ²	Voltage	Driver	Finish	Options	System/ Controls ^{2,3}
290		L										
290 TruGroove Suspended	1 Direct	L LED	A 80CRI/4000K B 80CRI/3500K C 80CRI/3000K	E 3000 lm/4ft G 2200 lm/4ft K 1500 lm/4ft	QN Symmetric MesoOptics Lens	04 4ft 06 6ft 08 8ft	7 1cct Dimming N 1cct Dimming + Battery Pack	D UNV (120-277V) 3 347V	S Advance Sensor Ready (5% Dim)	W Standard White T Titanium Silver B Black C Custom	N No Option	IP Interact Pro
	5 Indirect/Direct											
	6 Direct / Indirect											
			2 2-channel Tunable White 80CRI / 2700-6500K	B 5200 lm/4ft (60% Up) C 4600 lm/4ft (70% Up) D 3500 lm/4ft (60% Up) D 3500 lm/4ft (60% Down)	QQ Symmetric MesoOptics Lens + Symmetric Performance Lens	xx Total Run Length in 2ft increments		L Low Voltage (48-54V DC)	P PoE Lighting Controller		IO Interact Office Wired (PoE) w/ Daylight & Occupancy	
Mount Type				Suspension ⁴								
A1	Non-accessible ceiling, 0°-15° Slope Mount			24 24"								
A2	T-grid Fixed Position Mount			48 48"								
A3	Non-accessible ceiling, 0°-90° Slope Mount			96 96"								
A5	T-grid 24" Span Mount (non tegular tile only)			144 144"								
A6-1	T-grid On-grid Mount 15/16" (non tegular tile only)			192 192"								
A6-2	T-grid On-grid Mount 9/16" (non tegular tile only)			240 240"								
A6-3	T-grid On-grid Mount 9/16" x 5/16" (slot tee & tegular tile)											

Note: Options with the same color coding must be paired together.

- Nominal values within a range. Consult photometry data for CRI, color temp, lumens & distribution of chosen configuration.
- Not all wiring types or sensors are available with all configurations. Consult Ledalite for a complete list of available options. Battery Packs available in 8ft lengths only.
- Sensors only available in white, sensors can be combined with any luminaire finish.
- For PoE, the CAT5/CAT6 cable to be provided by others. Specifier should coordinate the desired cable color with the contractor.

Connected systems

Interact Pro

- A wireless IoT connected lighting solution for small and medium-sized businesses.
- Commissioning via Android or iOS mobile device and Interact Pro app.
- Compatible Zigbee Green Power wall dimmer and wireless Occupancy or Daylight & Occupancy sensors available.
- Open APIs for light control and data exchange.

www.interact-lighting.com/pro

Interact Office Wired (PoE), Tunable White

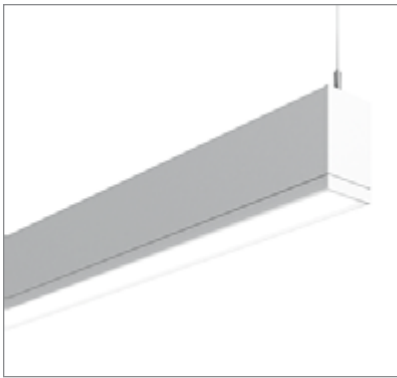
- PoE based IoT connected lighting solution for large enterprises that span across multiple floors, buildings and require multiple gateways.
- Use Interact Office software and insights to increase building efficiency, achieve building wide integration and optimize space through occupancy analytics.
- Human centric lighting through tunable white technology - Dynamic behaviors via scheduled lighting recipes mimicking daylight patterns or supporting biorhythms.
- Supports advanced IoT Apps on Personal Control, Space Management, wayfinding, room/desk reservation and offers open APIs for light control and data exchange.

www.interact-lighting.com/office or www.usa.lighting.philips.com/systems/system-areas/offices

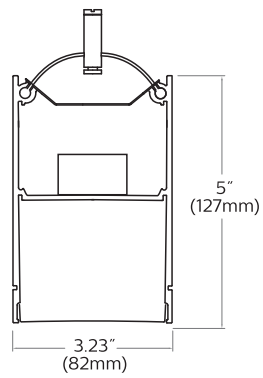
Note: Signify Interact Office Luminaires are not sold individually and are only compatible with Signify's Interact Office control system & software. The system requires a compatible back-end IT infrastructure for normal operations, please consult your Signify representative for additional information.

TruGroove linear suspended

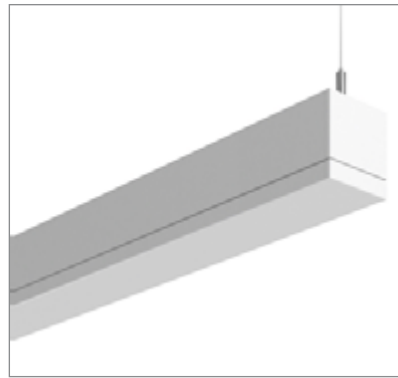
Direct & Direct/Indirect



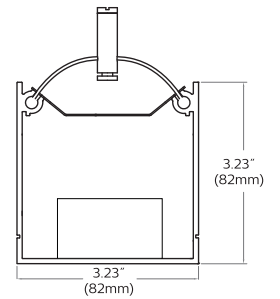
Cross Section View



Indirect



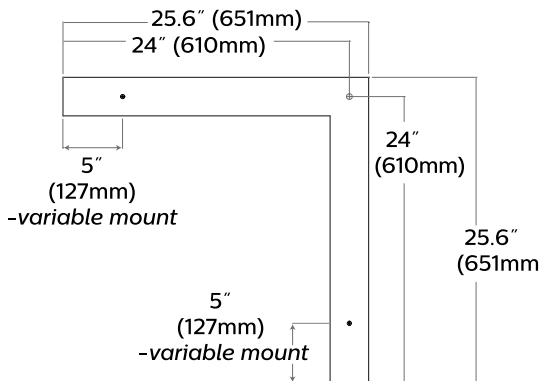
Cross Section View



Module Details & Dimensions

Top View

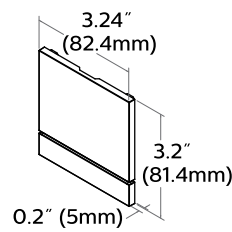
Suspended 2'x2' Corners Without Endcaps



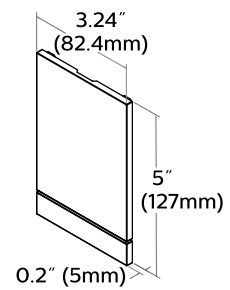
Note: In corners, the upper hemisphere is always symmetric.

Cross Section View – Endcaps

Indirect Endcap

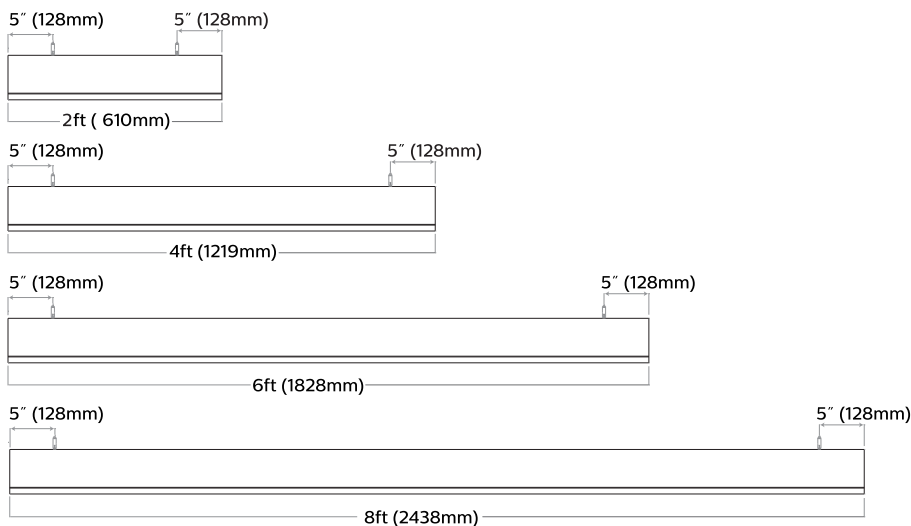


Direct/Indirect Endcap



Side View

Suspended Linear Modules Without Endcaps



TruGroove linear suspended

Specifications

Optical System

Upper hemisphere: White light emitted from a linear array of upward-facing LEDs is shaped into a homogeneous, wide-throw batwing distribution using either a freeform elliptical lens or an engineered light guide panel. Lower hemisphere: White light emitted from a linear array of downward-facing LEDs is laterally redirected using either a biconvex lens or optical microstructures embedded in a layer of MesoOptics DX film. An extruded acrylic lens and MesoOptics film assembly then generates an optimal batwing distribution and a uniform continuum of light. The available Flush Silk Lens optics is a value-oriented option that provides a lambertian distribution while maintaining a uniform continuum of light.

Endcaps

Diecast flat aluminum endcaps with integral groove to match housing.

Finish

High quality powder coated, available in matte white, black or titanium silver. Other custom colors available on request. White sensors only.

Housing

Precision aluminum extrusion, post painted.

Weight

Maximum: Suspended & Surface 3.9lb/ft, Wall 4.1lb/ft & 2'x2' Corner unit 21lb.

Electrical

Factory pre-wired to section ends with quick-wire connectors.

QuickShip

Available for certain configurations upon request. Limit 500 linear ft per order. For more information visit www.signify.com/en-us/brands/ledalite/quickship

Standard Drivers

Advance Xitanium 0-10V, 1-100%. Advance Xitanium Sensor Ready (SR), 5-100% (for SpaceWise DT). Class 2 rated output. Consult Ledalite for other available drivers.

Standard Battery Pack

Bodine, 90 min, 10W, Class 2 rated output, Battery pack lumen output = 10W x luminaire efficacy x 1.1. Typical output: 1100lm.

Lumen Maintenance

At an ambient temperature of 25°C, the LED lumen maintenance expectation according to IES TM-21-11 is:
L80 (12k) 60,000 hrs (Reported methodology)
L80 (6k) 110,000 hrs (Projected methodology).

Source Color

LEDs rated for color rendering CRI >80, R9 >0 and fixture to fixture color accuracy within 2 SDCM.

Controls

Suspended version available with SpaceWise DT occupancy & daylight sensor w/advanced grouping & dwell time. SpaceWise DT commissioning via Android phone App. Compatible dimming wireless wall switches are available.

Mounting

Suspended: Variable sling mount allows +/- 5" of horizontal adjustment from joint or end. Aircraft cable and tamper-resistant gripper provide unlimited vertical adjustment and are independently tested to stringent safety standards.

Joints

Self-aligning joining system with hands-free pre-joining wire access.

Approvals

Certified to UL, CSA and IES standards. Certain symmetric indirect/direct and indirect versions are DesignLights Consortium® qualified. Please see the DLC QPL list for exact catalog numbers (www.designlights.org/QPL).

Warranty

Five-year indoor professional luminaire limited warranty including LED boards and driver. www.signify.com/warranties

Environment

Rated for dry or damp locations in operating ambient temperatures 0-40°C (32-104°F). Certain luminaire components may be adversely affected by contaminants. Damage caused by sulfur, chlorine, petroleum based solutions or other contaminants in the area of operation are not covered under warranty. Not suitable for natatorium environments.

TruGroove linear suspended

Photometrics

Direct Distribution (2901)

(Click "PDF" or "IES" text to download)

Optics	Lumen Package	Nominal CRI & CCT	Flux (lm)	Watts (W)	Efficacy (LPW)	CRI	R9	Distribution	RP-1 VDT	DLC*	PDF File	IES File
Symmetric MesoOptics Lens - QN	4000 lm/4ft	80CRI, 4000K	4071	39	104	81	6	0% Up / 100% Down	N/A	N/A	PDF	IES
		80CRI, 3500K	3963	39	102	82	12	0% Up / 100% Down	N/A	N/A	PDF	IES
		80CRI, 3000K	3898	39	100	83	10	0% Up / 100% Down	N/A	N/A	PDF	IES
		90CRI, 3500K	3911	47	84	94	71	0% Up / 100% Down	N/A	N/A	PDF	IES
	3000 lm/4ft	80CRI, 4000K	3099	28	110	81	6	0% Up / 100% Down	N/A	Standard	PDF	IES
		80CRI, 3500K	3032	28	107	82	12	0% Up / 100% Down	N/A	Standard	PDF	IES
		80CRI, 3000K	2954	28	104	83	10	0% Up / 100% Down	N/A	Standard	PDF	IES
		90CRI, 3500K	2967	33	89	94	71	0% Up / 100% Down	N/A	N/A	PDF	IES
Spacing Criteria: 1.16/1.57 2200 lm/4ft	80CRI, 4000K	2180	19	112	81	6	0% Up / 100% Down	Normal spaces	Standard	PDF	IES	
	80CRI, 3500K	2122	19	109	82	12	0% Up / 100% Down	Normal spaces	Standard	PDF	IES	
	80CRI, 3000K	2087	19	108	83	10	0% Up / 100% Down	Normal spaces	Standard	PDF	IES	
	90CRI, 3500K	2177	24	92	94	71	0% Up / 100% Down	Normal spaces	N/A	PDF	IES	
1500 lm/4ft	80CRI, 4000K	1528	14	109	81	6	0% Up / 100% Down	Normal spaces	Standard	PDF	IES	
	80CRI, 3500K	1488	14	106	82	12	0% Up / 100% Down	Critical spaces	Standard	PDF	IES	
	80CRI, 3000K	1446	14	103	83	10	0% Up / 100% Down	Critical spaces	Standard	PDF	IES	
	90CRI, 3500K	1478	16	92	94	71	0% Up / 100% Down	Critical spaces	N/A	PDF	IES	

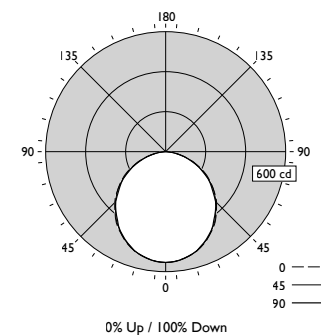
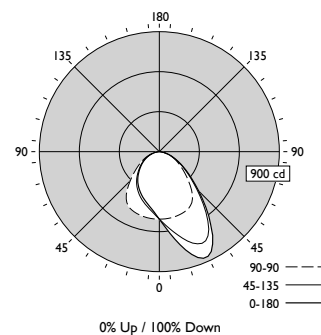
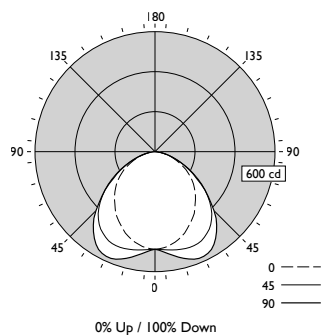
Optics	Lumen Package	Nominal CRI & CCT	Flux (lm)	Watts (W)	Efficacy (LPW)	CRI	R9	Distribution	RP-1 VDT	DLC*	PDF File	IES File
Flush Silk Lens - LN	4000 lm/4ft	80CRI, 4000K	4200	39	108	81	6	0% Up / 100% Down	N/A	N/A	PDF	IES
		80CRI, 3500K	4088	39	105	82	12	0% Up / 100% Down	N/A	N/A	PDF	IES
		80CRI, 3000K	4021	39	103	83	10	0% Up / 100% Down	N/A	N/A	PDF	IES
		90CRI, 3500K	4035	47	87	94	71	0% Up / 100% Down	N/A	N/A	PDF	IES
	3000 lm/4ft	80CRI, 4000K	3214	28	114	81	6	0% Up / 100% Down	N/A	Standard	PDF	IES
		80CRI, 3500K	3129	28	111	82	12	0% Up / 100% Down	N/A	Standard	PDF	IES
		80CRI, 3000K	3077	28	109	83	10	0% Up / 100% Down	N/A	Standard	PDF	IES
		90CRI, 3500K	3061	33	92	94	71	0% Up / 100% Down	N/A	N/A	PDF	IES
Spacing Criteria: 1.24/1.22 2200 lm/4ft	80CRI, 4000K	2249	19	116	81	6	0% Up / 100% Down	Normal spaces	Standard	PDF	IES	
	80CRI, 3500K	2189	19	113	82	12	0% Up / 100% Down	Normal spaces	Standard	PDF	IES	
	80CRI, 3000K	2153	19	111	83	10	0% Up / 100% Down	Normal spaces	Standard	PDF	IES	
	90CRI, 3500K	2246	24	94	94	71	0% Up / 100% Down	Normal spaces	N/A	PDF	IES	
1500 lm/4ft	80CRI, 4000K	1577	14	113	81	6	0% Up / 100% Down	Critical spaces	Standard	PDF	IES	
	80CRI, 3500K	1535	14	110	82	12	0% Up / 100% Down	Critical spaces	Standard	PDF	IES	
	80CRI, 3000K	1510	14	108	83	10	0% Up / 100% Down	Critical spaces	Standard	PDF	IES	
	90CRI, 3500K	1525	16	95	94	71	0% Up / 100% Down	Critical spaces	N/A	PDF	IES	

Optics	Lumen Package	Nominal CRI & CCT	Flux (lm)	Watts (W)	Efficacy (LPW)	CRI	R9	Distribution	RP-1 VDT	DLC*	PDF File	IES File
Asymmetric MesoOptics Lens - WN	4000 lm/4ft	80CRI, 4000K	3713	39	95	81	6	0% Up / 100% Down	N/A	N/A	PDF	IES
		80CRI, 3500K	3614	39	93	82	12	0% Up / 100% Down	N/A	N/A	PDF	IES
		80CRI, 3000K	3555	39	91	83	10	0% Up / 100% Down	N/A	N/A	PDF	IES
		90CRI, 3500K	3567	47	77	94	71	0% Up / 100% Down	N/A	N/A	PDF	IES
	3000 lm/4ft	80CRI, 4000K	2827	28	100	81	6	0% Up / 100% Down	Normal spaces	N/A	PDF	IES
		80CRI, 3500K	2766	28	98	82	12	0% Up / 100% Down	Normal spaces	N/A	PDF	IES
		80CRI, 3000K	2694	28	95	83	10	0% Up / 100% Down	Normal spaces	N/A	PDF	IES
		90CRI, 3500K	2706	33	81	94	71	0% Up / 100% Down	Normal spaces	N/A	PDF	IES
Spacing Criteria: 1.66/1.34 2200 lm/4ft	80CRI, 4000K	1988	19	103	81	6	0% Up / 100% Down	Normal spaces	N/A	PDF	IES	
	80CRI, 3500K	1935	19	100	82	12	0% Up / 100% Down	Normal spaces	N/A	PDF	IES	
	80CRI, 3000K	1904	19	98	83	10	0% Up / 100% Down	Normal spaces	N/A	PDF	IES	
	90CRI, 3500K	1986	24	83	94	71	0% Up / 100% Down	Normal spaces	N/A	PDF	IES	
1500 lm/4ft	80CRI, 4000K	1394	14	100	81	6	0% Up / 100% Down	Critical spaces	N/A	PDF	IES	
	80CRI, 3500K	1357	14	97	82	12	0% Up / 100% Down	Critical spaces	N/A	PDF	IES	
	80CRI, 3000K	1319	14	94	83	10	0% Up / 100% Down	Critical spaces	N/A	PDF	IES	
	90CRI, 3500K	1348	16	84	94	71	0% Up / 100% Down	Critical spaces	N/A	PDF	IES	

Symmetric MesoOptics Lens - QN

Asymmetric MesoOptics Lens - WN

Flush Silk Lens - LN



Candela shown is for 1500 lm/4ft, 3500K, 80 CRI configuration.

*DLC is only available with Advance 0-10V (1% dim) drivers. Battery Packs and 2ft modules are also not available on DLC.

TruGroove linear suspended

Photometrics

Indirect Distribution (2903)

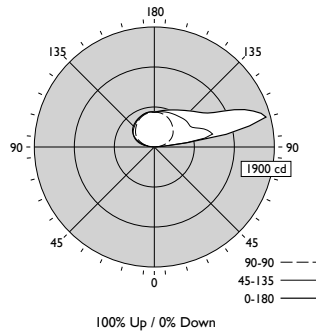
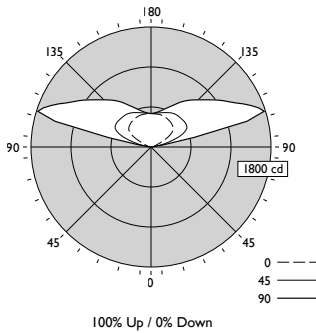
(Click "PDF" or "IES" text to download)

Optics	Lumen Package	Nominal CRI & CCT	Flux (lm)	Watts (W)	Efficacy (LPW)	CRI	R9	Distribution	RP-1 VDT	DLC*	PDF File	IES File
Symmetric Performance Lens - NQ	4800 lm/4ft	80CRI, 4000K	4982	36	140	81	6	100% Up / 0% Down	Critical spaces	Standard	PDF	IES
		80CRI, 3500K	4851	36	136	82	12	100% Up / 0% Down	Critical spaces	Standard	PDF	IES
		80CRI, 3000K	4771	36	134	83	10	100% Up / 0% Down	Critical spaces	Standard	PDF	IES
	3200 lm/4ft	90CRI, 3500K	4835	43	112	94	71	100% Up / 0% Down	Critical spaces	Standard	PDF	IES
		80CRI, 4000K	3305	23	143	81	6	100% Up / 0% Down	Critical spaces	Standard	PDF	IES
		80CRI, 3500K	3219	23	139	82	12	100% Up / 0% Down	Critical spaces	Standard	PDF	IES
		80CRI, 3000K	3165	23	136	83	10	100% Up / 0% Down	Critical spaces	Standard	PDF	IES
		90CRI, 3500K	3227	27	120	94	71	100% Up / 0% Down	Critical spaces	Standard	PDF	IES

Optics	Lumen Package	Nominal CRI & CCT	Flux (lm)	Watts (W)	Efficacy (LPW)	CRI	R9	Distribution	RP-1 VDT	DLC*	PDF File	IES File
Asymmetric Performance Lens - NW	4800 lm/4ft	80CRI, 4000K	4667	36	131	81	6	100% Up / 0% Down	Critical spaces	N/A	PDF	IES
		80CRI, 3500K	4545	36	127	82	12	100% Up / 0% Down	Critical spaces	N/A	PDF	IES
		80CRI, 3000K	4470	36	125	83	10	100% Up / 0% Down	Critical spaces	N/A	PDF	IES
	3200 lm/4ft	90CRI, 3500K	4530	43	105	94	71	100% Up / 0% Down	Critical spaces	N/A	PDF	IES
		80CRI, 4000K	3096	23	133	81	6	100% Up / 0% Down	Critical spaces	N/A	PDF	IES
		80CRI, 3500K	3015	23	130	82	12	100% Up / 0% Down	Critical spaces	N/A	PDF	IES
		80CRI, 3000K	2965	23	128	83	10	100% Up / 0% Down	Critical spaces	N/A	PDF	IES
		90CRI, 3500K	3023	27	112	94	71	100% Up / 0% Down	Critical spaces	N/A	PDF	IES

Symmetric Performance Lens - NQ

Asymmetric Performance Lens - NW



Candela shown is for 3200 lm/4ft, 3500K, 80 CRI configuration.

*DLC is only available with Advance 0-10V (1% dim) drivers. Battery Packs and 2ft modules are also not available on DLC.

TruGroove linear suspended

Photometrics

Indirect/Direct Distribution (2905)

(Click "PDF" or "IES" text to download)

Optics	Lumen Package	Nominal CRI & CCT	Flux (lm)	Watts (W)	Efficacy (LPW)	CRI	R9	Distribution	RP-1 VDT	DLC*	PDF File	IES File
Symmetric MesoOptics Lens + Symmetric Performance Lens - QQ	6800 lm/4ft	80CRI, 4000K	6964	52	134	81	6	31% Up / 69% Down	N/A	N/A	PDF	IES
		80CRI, 3500K	6781	52	130	82	12	31% Up / 69% Down	N/A	N/A	PDF	IES
		80CRI, 3000K	6669	52	128	83	10	31% Up / 69% Down	N/A	N/A	PDF	IES
		90CRI, 3500K	6813	63	108	94	71	32% Up / 68% Down	N/A	N/A	PDF	IES
	5200 lm/4ft	80CRI, 4000K	5063	38	133	81	6	43% Up / 57% Down	N/A	Standard	PDF	IES
		80CRI, 3500K	4930	38	129	82	12	43% Up / 57% Down	N/A	Standard	PDF	IES
		80CRI, 3000K	4848	38	127	83	10	43% Up / 57% Down	N/A	Standard	PDF	IES
		90CRI, 3500K	5060	48	106	94	71	43% Up / 57% Down	N/A	N/A	PDF	IES
Spacing Criteria: 1.16/1.57	4600 lm/4ft	80CRI, 4000K	4833	36	133	81	6	32% Up / 68% Down	N/A	Standard	PDF	IES
		80CRI, 3500K	4706	36	130	82	12	32% Up / 68% Down	N/A	Standard	PDF	IES
		80CRI, 3000K	4628	36	128	83	10	32% Up / 68% Down	N/A	Standard	PDF	IES
		90CRI, 3500K	4705	42	112	94	71	31% Up / 69% Down	N/A	N/A	PDF	IES
	3500 lm/4ft	80CRI, 4000K	3550	28	128	81	6	43% Up / 57% Down	Normal spaces	Standard	PDF	IES
		80CRI, 3500K	3456	28	125	82	12	43% Up / 57% Down	Normal spaces	Standard	PDF	IES
		80CRI, 3000K	3399	28	123	83	10	43% Up / 57% Down	Normal spaces	Standard	PDF	IES
		90CRI, 3500K	3433	32	109	94	71	43% Up / 57% Down	Normal spaces	N/A	PDF	IES

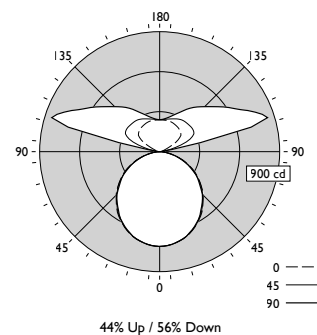
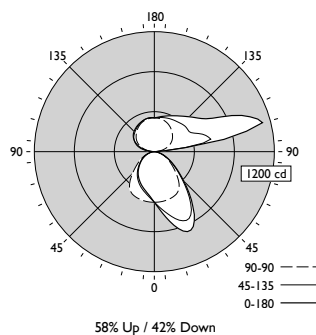
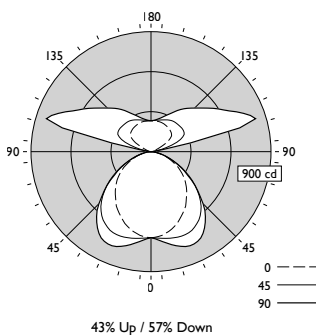
Optics	Lumen Package	Nominal CRI & CCT	Flux (lm)	Watts (W)	Efficacy (LPW)	CRI	R9	Distribution	RP-1 VDT	DLC*	PDF File	IES File
Flush Silk Lens + Symmetric Performance Lens - LQ	6800 lm/4ft	80CRI, 4000K	7033	52	135	81	6	32% Up / 68% Down	N/A	N/A	PDF	IES
		80CRI, 3500K	6848	52	131	82	12	32% Up / 68% Down	N/A	N/A	PDF	IES
		80CRI, 3000K	6735	52	129	83	10	32% Up / 68% Down	N/A	N/A	PDF	IES
		90CRI, 3500K	6882	63	109	94	71	33% Up / 67% Down	N/A	N/A	PDF	IES
	5200 lm/4ft	80CRI, 4000K	5132	38	134	81	6	44% Up / 56% Down	N/A	N/A	PDF	IES
		80CRI, 3500K	4997	38	131	82	12	44% Up / 56% Down	N/A	N/A	PDF	IES
		80CRI, 3000K	4915	38	129	83	10	44% Up / 56% Down	N/A	N/A	PDF	IES
		90CRI, 3500K	5129	48	108	94	71	44% Up / 56% Down	N/A	N/A	PDF	IES
Spacing Criteria: 1.24/1.22	4600 lm/4ft	80CRI, 4000K	4881	36	135	81	6	32% Up / 68% Down	N/A	N/A	PDF	IES
		80CRI, 3500K	4753	36	131	82	12	32% Up / 68% Down	N/A	N/A	PDF	IES
		80CRI, 3000K	4675	36	129	83	10	32% Up / 68% Down	N/A	N/A	PDF	IES
		90CRI, 3500K	4752	42	113	94	71	32% Up / 68% Down	N/A	N/A	PDF	IES
	3500 lm/4ft	80CRI, 4000K	3598	28	130	81	6	44% Up / 56% Down	Normal spaces	N/A	PDF	IES
		80CRI, 3500K	3504	28	127	82	12	44% Up / 56% Down	Normal spaces	N/A	PDF	IES
		80CRI, 3000K	3446	28	124	83	10	44% Up / 56% Down	Normal spaces	N/A	PDF	IES
		90CRI, 3500K	3480	32	111	94	71	44% Up / 56% Down	Normal spaces	N/A	PDF	IES

Optics	Lumen Package	Nominal CRI & CCT	Flux (lm)	Watts (W)	Efficacy (LPW)	CRI	R9	Distribution	RP-1 VDT	DLC*	PDF File	IES File	
Asymmetric MesoOptics Lens + Asymmetric Performance Lens - WW	6800 lm/4ft	80CRI, 4000K	6470	52	124	81	6	69% Up / 31% Down	Normal spaces	N/A	PDF	IES	
		80CRI, 3500K	6300	52	121	82	12	69% Up / 31% Down	Normal spaces	N/A	PDF	IES	
		80CRI, 3000K	6196	52	119	83	10	69% Up / 31% Down	Normal spaces	N/A	PDF	IES	
		90CRI, 3500K	6329	63	100	94	71	69% Up / 31% Down	Normal spaces	N/A	PDF	IES	
	5200 lm/4ft	80CRI, 4000K	4689	38	123	81	6	58% Up / 42% Down	Normal spaces	N/A	PDF	IES	
		80CRI, 3500K	4566	38	120	82	12	58% Up / 42% Down	Normal spaces	N/A	PDF	IES	
		80CRI, 3000K	4491	38	118	83	10	58% Up / 42% Down	Normal spaces	N/A	PDF	IES	
		90CRI, 3500K	4686	48	98	94	71	58% Up / 42% Down	Normal spaces	N/A	PDF	IES	
	Spacing Criteria: 1.66/1.34	4600 lm/4ft	80CRI, 4000K	4490	36	124	81	6	69% Up / 31% Down	Critical spaces	N/A	PDF	IES
			80CRI, 3500K	4372	36	120	82	12	69% Up / 31% Down	Critical spaces	N/A	PDF	IES
			80CRI, 3000K	4300	36	119	83	10	69% Up / 31% Down	Critical spaces	N/A	PDF	IES
			90CRI, 3500K	4371	42	104	94	71	69% Up / 31% Down	Critical spaces	N/A	PDF	IES
3500 lm/4ft	80CRI, 4000K	3288	28	119	81	6	58% Up / 42% Down	Critical spaces	N/A	PDF	IES		
	80CRI, 3500K	3201	28	116	82	12	58% Up / 42% Down	Critical spaces	N/A	PDF	IES		
	80CRI, 3000K	3148	28	114	83	10	58% Up / 42% Down	Critical spaces	N/A	PDF	IES		
	90CRI, 3500K	3180	32	101	94	71	58% Up / 42% Down	Critical spaces	N/A	PDF	IES		

Symmetric MesoOptics Lens - QQ

Asymmetric MesoOptics Lens - WW

Flush Silk Lens - LQ



Candela shown is for 3500 lm/4ft, 3500K, 80 CRI configuration.

*DLC is only available with Advance 0-10V (1% dim) drivers. Battery Packs and 2ft modules are also not available on DLC.

TruGroove linear suspended

Photometrics

Direct/Indirect Distribution (2906)

(Click "PDF" or "IES" text to download)

Optics	Lumen Package	Nominal CRI & CCT	Flux (lm)	Watts (W)	Efficacy (LPW)	CRI	R9	Distribution	RP-1 VDT	DLC*	PDF File	IES File
Symmetric MesoOptics Lens + Symmetric Performance Lens - QQ	6800 lm/4ft	80CRI, 4000K	6901	58	119	81	6	41% Up / 59% Down	N/A	N/A	PDF	IES
		80CRI, 3500K	6719	58	116	82	12	41% Up / 59% Down	N/A	N/A	PDF	IES
		80CRI, 3000K	6608	58	114	83	10	41% Up / 59% Down	N/A	N/A	PDF	IES
		90CRI, 3500K	6723	69	98	94	71	44% Up / 56% Down	N/A	N/A	PDF	IES
	5200 lm/4ft	80CRI, 4000K	5246	43	121	81	6	41% Up / 59% Down	N/A	N/A	PDF	IES
		80CRI, 3500K	5107	43	118	82	12	41% Up / 59% Down	N/A	Standard	PDF	IES
		80CRI, 3000K	5023	43	116	83	10	41% Up / 59% Down	N/A	N/A	PDF	IES
		90CRI, 3500K	5146	51	102	94	71	42% Up / 58% Down	N/A	N/A	PDF	IES
Spacing Criteria: 1.16/1.57	4600 lm/4ft	80CRI, 4000K	4586	39	118	81	6	32% Up / 68% Down	N/A	N/A	PDF	IES
		80CRI, 3500K	4465	39	115	82	12	32% Up / 68% Down	N/A	N/A	PDF	IES
		80CRI, 3000K	4391	39	113	83	10	32% Up / 68% Down	N/A	N/A	PDF	IES
		90CRI, 3500K	4422	45	98	94	71	33% Up / 67% Down	N/A	N/A	PDF	IES
	3500 lm/4ft	80CRI, 4000K	3595	30	122	81	6	39% Up / 61% Down	Normal spaces	Standard	PDF	IES
		80CRI, 3500K	3501	30	119	82	12	39% Up / 61% Down	Normal spaces	Standard	PDF	IES
		80CRI, 3000K	3443	30	117	83	10	39% Up / 61% Down	Normal spaces	Standard	PDF	IES
		90CRI, 3500K	3494	35	99	94	71	38% Up / 62% Down	Normal spaces	N/A	PDF	IES

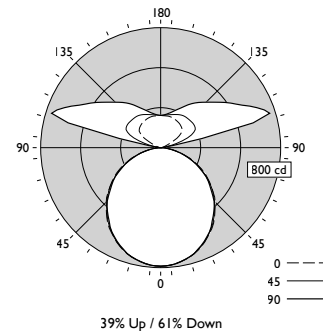
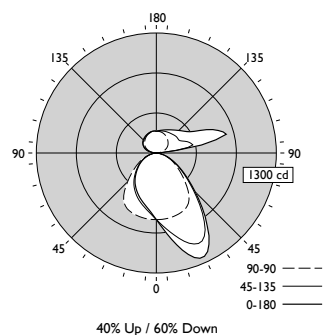
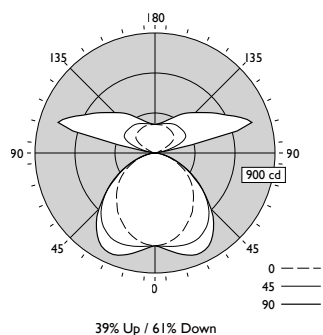
Optics	Lumen Package	Nominal CRI & CCT	Flux (lm)	Watts (W)	Efficacy (LPW)	CRI	R9	Distribution	RP-1 VDT	DLC*	PDF File	IES File
Flush Silk Lens + Symmetric Performance Lens - LQ	6800 lm/4ft	80CRI, 4000K	7030	58	122	81	6	40% Up / 60% Down	N/A	N/A	PDF	IES
		80CRI, 3500K	6844	58	118	82	12	40% Up / 60% Down	N/A	N/A	PDF	IES
		80CRI, 3000K	6731	58	117	83	10	40% Up / 60% Down	N/A	N/A	PDF	IES
		90CRI, 3500K	6843	69	100	94	71	43% Up / 57% Down	N/A	N/A	PDF	IES
	5200 lm/4ft	80CRI, 4000K	5344	43	124	81	6	40% Up / 60% Down	N/A	N/A	PDF	IES
		80CRI, 3500K	5203	43	120	82	12	40% Up / 60% Down	N/A	N/A	PDF	IES
		80CRI, 3000K	5118	43	119	83	10	40% Up / 60% Down	N/A	N/A	PDF	IES
		90CRI, 3500K	5240	51	103	94	71	42% Up / 58% Down	N/A	N/A	PDF	IES
Spacing Criteria: 1.24/1.22	4600 lm/4ft	80CRI, 4000K	4685	39	120	81	6	31% Up / 69% Down	N/A	N/A	PDF	IES
		80CRI, 3500K	4561	39	117	82	12	31% Up / 69% Down	N/A	N/A	PDF	IES
		80CRI, 3000K	4486	39	115	83	10	31% Up / 69% Down	N/A	N/A	PDF	IES
		90CRI, 3500K	4516	45	100	94	71	32% Up / 68% Down	N/A	N/A	PDF	IES
	3500 lm/4ft	80CRI, 4000K	3665	30	124	81	6	39% Up / 61% Down	Normal spaces	N/A	PDF	IES
		80CRI, 3500K	3568	30	121	82	12	39% Up / 61% Down	Normal spaces	N/A	PDF	IES
		80CRI, 3000K	3509	30	119	83	10	39% Up / 61% Down	Normal spaces	N/A	PDF	IES
		90CRI, 3500K	3610	35	102	94	71	38% Up / 62% Down	Normal spaces	N/A	PDF	IES

Optics	Lumen Package	Nominal CRI & CCT	Flux (lm)	Watts (W)	Efficacy (LPW)	CRI	R9	Distribution	RP-1 VDT	DLC*	PDF File	IES File
Asymmetric MesoOptics Lens + Asymmetric Performance Lens - WW	6800 lm/4ft	80CRI, 4000K	6364	58	110	81	6	42% Up / 58% Down	N/A	N/A	PDF	IES
		80CRI, 3500K	6196	58	107	82	12	42% Up / 58% Down	N/A	N/A	PDF	IES
		80CRI, 3000K	6094	58	105	83	10	42% Up / 58% Down	N/A	N/A	PDF	IES
		90CRI, 3500K	6204	69	90	94	71	44% Up / 56% Down	N/A	N/A	PDF	IES
	5200 lm/4ft	80CRI, 4000K	4837	43	112	81	6	41% Up / 59% Down	Normal spaces	N/A	PDF	IES
		80CRI, 3500K	4710	43	109	82	12	41% Up / 59% Down	Normal spaces	N/A	PDF	IES
		80CRI, 3000K	4632	43	107	83	10	41% Up / 59% Down	Normal spaces	N/A	PDF	IES
		90CRI, 3500K	4748	51	94	94	71	43% Up / 57% Down	Normal spaces	N/A	PDF	IES
Spacing Criteria: 1.66/1.34	4600 lm/4ft	80CRI, 4000K	4219	39	108	81	6	33% Up / 67% Down	Normal spaces	N/A	PDF	IES
		80CRI, 3500K	4108	39	105	82	12	33% Up / 67% Down	Normal spaces	N/A	PDF	IES
		80CRI, 3000K	4040	39	104	83	10	33% Up / 67% Down	Normal spaces	N/A	PDF	IES
		90CRI, 3500K	4070	45	90	94	71	34% Up / 66% Down	Normal spaces	N/A	PDF	IES
	3500 lm/4ft	80CRI, 4000K	3314	30	112	81	6	40% Up / 60% Down	Normal spaces	N/A	PDF	IES
		80CRI, 3500K	3227	30	109	82	12	40% Up / 60% Down	Normal spaces	N/A	PDF	IES
		80CRI, 3000K	3174	30	108	83	10	40% Up / 60% Down	Normal spaces	N/A	PDF	IES
		90CRI, 3500K	3220	35	91	94	71	38% Up / 62% Down	Normal spaces	N/A	PDF	IES

Symmetric MesoOptics Lens - QQ

Asymmetric MesoOptics Lens - WW

Flush Silk Lens - LQ



Candela shown is for 3500 lm/4ft, 3500K, 80 CRI configuration.

*DLC is only available with Advance 0-10V (1% dim) drivers. Battery Packs and 2ft modules are also not available on DLC.

TruGroove linear suspended

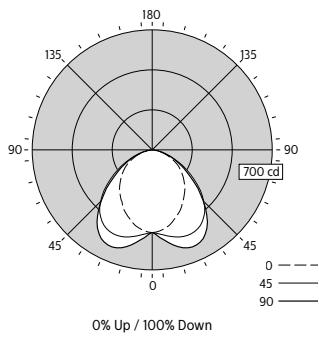
Photometrics

Direct Distribution (2901)

(Click "PDF" or "IES" text to download)

Optics	Lumen Package	Nominal CRI & CCT	Flux (lm)	Watts (W)	Efficacy (LPW)	CRI	R9	Distribution	RP-1 VDT	PDF File	IES File
Symmetric MesoOptics Lens - QN	3000 lm/4ft	80CRI, 2700K	3191	32.4	98.5	82	8	0% Up / 100% Down	N/A	PDF	IES
		80CRI, 3000K	3192	31.9	100.1	84	14	0% Up / 100% Down	N/A		
		80CRI, 3500K	3193	31.1	102.6	86	23	0% Up / 100% Down	N/A		
		80CRI, 4000K	3194	30.5	104.8	87	28	0% Up / 100% Down	N/A		
		80CRI, 5000K	3195	29.6	108.1	87	26	0% Up / 100% Down	N/A		
	80CRI, 6500K	3197	28.4	112.6	84	13	0% Up / 100% Down	N/A			
	2200 lm/4ft	80CRI, 2700K	2304	22.7	101.5	83	9	0% Up / 100% Down	Normal spaces	PDF	IES
		80CRI, 3000K	2304	22.4	102.7	84	16	0% Up / 100% Down	Normal spaces		
		80CRI, 3500K	2304	22.1	104.5	86	24	0% Up / 100% Down	Normal spaces		
		80CRI, 4000K	2304	21.7	106	87	28	0% Up / 100% Down	Normal spaces		
80CRI, 5000K		2303	21.3	108.3	87	27	0% Up / 100% Down	Normal spaces			
1500 lm/4ft	80CRI, 6500K	2303	20.7	111.4	84	12	0% Up / 100% Down	Normal spaces	PDF	IES	
	80CRI, 2700K	1522	14.5	104.9	83	10	0% Up / 100% Down	Normal spaces			
	80CRI, 3000K	1522	14.4	105.7	85	17	0% Up / 100% Down	Normal spaces			
	80CRI, 3500K	1521	14.2	106.8	87	25	0% Up / 100% Down	Normal spaces			
	80CRI, 4000K	1521	14.1	107.8	87	29	0% Up / 100% Down	Normal spaces			
Spacing Criteria: 115/163	80CRI, 5000K	1520	13.9	109.3	87	28	0% Up / 100% Down	Normal spaces	PDF	IES	
	80CRI, 6500K	1519	13.7	111.3	84	11	0% Up / 100% Down	Normal spaces			

Symmetric MesoOptics Lens - QN



Candela shown is for 1500 lm/4ft, 3500K, 80 CRI configuration.

TruGroove linear suspended

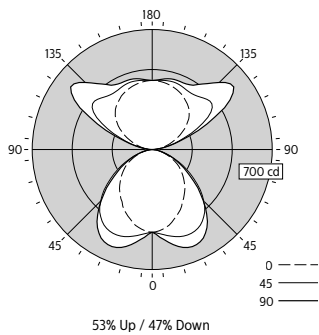
Photometrics

Indirect/Direct Distribution (2905)

(Click "PDF" or "IES" text to download)

Optics	Lumen Package	Nominal CRI & CCT	Flux (lm)	Watts (W)	Efficacy (LPW)	CRI	R9	Distribution	RP-1 VDT	PDF File	IES File
Symmetric MesoOptics Lens + Symmetric Performance Lens - QQ	5200 lm/4ft	80CRI, 2700K	4892	44.0	111.1	83	9	53% Up / 47% Down	Normal spaces	PDF	IES
		80CRI, 3000K	4894	43.3	113.0	84	16	53% Up / 47% Down	Normal spaces		
		80CRI, 3500K	4898	42.3	115.8	86	24	53% Up / 47% Down	Normal spaces		
		80CRI, 4000K	4901	41.4	118.3	87	28	53% Up / 47% Down	Normal spaces		
		80CRI, 5000K	4905	40.2	122.2	87	27	53% Up / 47% Down	Normal spaces		
	80CRI, 6500K	4911	38.6	127.3	84	12	53% Up / 47% Down	Normal spaces	PDF	IES	
	80CRI, 2700K	4440	40.7	109.1	83	9	66% Up / 34% Down	Normal spaces			
	80CRI, 3000K	4442	40.3	110.3	84	16	66% Up / 34% Down	Normal spaces			
	80CRI, 3500K	4444	39.6	112.2	86	24	66% Up / 34% Down	Normal spaces			
	80CRI, 4000K	4446	39	113.9	87	28	66% Up / 34% Down	Normal spaces			
80CRI, 5000K	4449	38.2	116.3	87	27	66% Up / 34% Down	Normal spaces	PDF	IES		
80CRI, 6500K	4452	37.2	119.6	84	12	66% Up / 34% Down	Normal spaces				
80CRI, 2700K	3232	27.9	115.7	83	9	53% Up / 47% Down	Normal spaces				
80CRI, 3000K	3234	27.6	117.0	84	16	53% Up / 47% Down	Normal spaces				
80CRI, 3500K	3236	27.2	119.0	86	24	53% Up / 47% Down	Normal spaces				
Spacing Criteria: 1.14/1.62	3500 lm/4ft	80CRI, 4000K	3238	26.8	120.6	87	28	53% Up / 47% Down	Normal spaces	PDF	IES
		80CRI, 5000K	3241	26.3	123.1	87	27	53% Up / 47% Down	Normal spaces		
		80CRI, 6500K	3244	25.7	126.4	84	12	53% Up / 47% Down	Normal spaces		

Symmetric MesoOptics Lens + Symmetric Performance Lens - QQ



Candela shown is for 3500 lm/4ft, 3500K, 80 CRI configuration.

TruGroove linear suspended

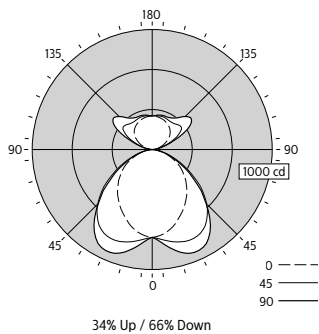
Photometrics

Indirect/Direct Distribution (2906)

(Click "PDF" or "IES" text to download)

Optics	Lumen Package	Nominal CRI & CCT	Flux (lm)	Watts (W)	Efficacy (LPW)	CRI	R9	Distribution	RP-1 VDT	PDF File	IES File
Symmetric MesoOptics Lens + Symmetric Performance Lens - QQ	3500 lm/4ft	80CRI, 2700K	3492	32.9	106.0	82	8	34% Up / 66% Down	Normal spaces	PDF	IES
		80CRI, 3000K	3490	32.6	107.0	84	14	34% Up / 66% Down			
		80CRI, 3500K	3486	32.2	108.4	86	23	34% Up / 66% Down			
		80CRI, 4000K	3483	31.8	109.6	87	28	34% Up / 66% Down			
		80CRI, 5000K	3479	31.2	111.5	87	26	34% Up / 66% Down			
Spacing Criteria: 1.14/1.62		80CRI, 6500K	3473	30.5	113.9	84	13	34% Up / 66% Down			

Symmetric MesoOptics Lens + Symmetric Performance Lens - QQ



Candela shown is for 3500 lm/4ft, 3500K, 80 CRI configuration.

The information presented in this document is not intended as any commercial offer and does not form part of any quotation or contract.



© 2019 Signify Holding. All rights reserved. This document contains information relating to the product portfolio of Signify which information may be subject to change. No representation or warranty as to the accuracy or completeness of the information included herein is given and any liability for any action in reliance thereon is disclaimed. All trademarks are owned by Signify Holding or their respective owners.

Signify North America Corporation
200 Franklin Square Drive,
Somerset, NJ 08873
Telephone 855-486-2216

Signify Canada Ltd.
281 Hillmount Road,
Markham, ON, Canada L6C 2S3
Telephone 800-668-9008