



Incredible efficacy & boundless lighting choices mean the re-engineered **Sona** suspended LED is destined to become a future classic. Flexible up/ down distributions and tailored LED optics mean you always have the right light for every task.

Project: _____
 Location: _____
 Cat.No: _____
 Type: _____
 Line ID: _____ Qty: _____
 Notes: _____

Ordering guide

example: 7705LABAA087DET, A1-48

Family	Version	Mount Type	Source	CRI/CCT ¹	Lumens ¹	Optics & Distribution	Run Length	Wiring ²	
77			L						
77 Sona	0 One Light Engine - Upper	3 Suspended Indirect	L LED	A 80CRI/4000K B 80CRI/3500K C 80CRI/3000K	C 4900 lm/4ft E 3400 lm/4ft	NA Solid Housing / Acrylic Diffuser	04 4ft 08 8ft xx Continuous Run (4ft increments)	7 1cct Dimming E 2cct A/B Dimming (Alt. 4ft sections) M 1cct Dimming + EM Wiring N 1cct Dimming + EM Batt. Pack	
		5 Suspended Indirect/Direct (50-75% Up)			B 6100 lm/4ft C 4500 lm/4ft E 3100 lm/4ft	AA Acrylic Diffusers (70% Up) VA White Louvers / Acrylic Diffuser (75% Up) AD Acrylic Diffusers + Down Kit (50% Down) VD White Louvers + Down Kit (50% Down)			
	1 One Light Engine - Lower	1 Suspended Direct			C 4500 lm/4ft E 3200 lm/4ft G 2100 lm/4ft	AN Acrylic Diffuser / Solid Housing VN White Louvers / Solid Housing AG Acrylic Diffusers (80% Down) VG White Louvers / Acrylic Diffuser (80% Down)			
	2 Two Light Engines - Upper & Lower	5 Suspended Indirect/Direct (60-70% Up)			Y 8200 lm/4ft (60% Up) A 7000 lm/4ft (70% Up) B 5500 lm/4ft (60% Up) C 4600 lm/4ft (70% Up) E 3500 lm/4ft (65% Up)	AA Acrylic Diffusers VA White Louvers / Acrylic Diffuser			G 2cct Dimming (Up/Down) K 2cct Dimming (Up/Down) + EM Wiring L 2cct Dimming (Up/Down) + EM Batt. Pack
		6 Suspended Direct/Indirect (50-60% Dn)			A 6700 lm/4ft (50% Dn) B 5500 lm/4ft (60% Dn) D 4600 lm/4ft (50% Dn)				

Voltage	Driver	Finish	Option	Sensor	Mount Type	Suspension
D UNV 120-277V 3 347V	E Advance 0-10V (1% Dim)	W Standard White T Titanium Silver B Black C Custom	N No Option V Variable Mount Housing	SZ SpaceWise DT Occupancy & Daylight Sensor (with Advance Sensor Ready Driver only)	A1 Non-accessible ceiling, 0'-15" Slope Mount A2 T-grid Fixed Position Mount A3 Non-accessible ceiling, 0'-90° Slope Mount A5 T-grid 24" Span Mount (non tegular tile only) A6-1 T-grid On-grid Mount 15/16" (non tegular tile only) A6-2 T-grid On-grid Mount 9/16" (non tegular tile only) A6-3 T-grid On-grid Mount 9/16" x 5/16" (slot tee & tegular tile)	24 24" 48 48" 96 96" 144 144"
D UNV 120-277V 3 347V	E Advance 0-10V (1% Dim)		(none - leave blank)	(none - leave blank)		

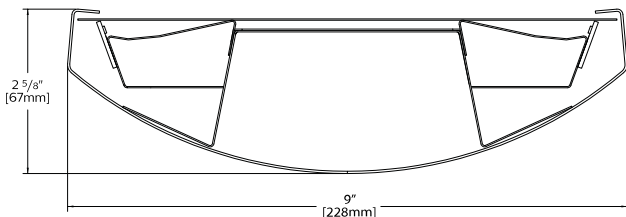
1. Nominal values within a range. Down kits reduce optics & efficacy. Consult photometry data for CRI, color temp, lumens & distribution of chosen configuration.
 2. Not all wiring types are available with all configurations. Consult Ledalite for a complete list of available options.



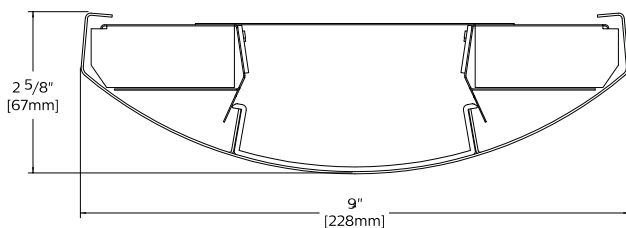
Sona linear suspended

Cross Section View

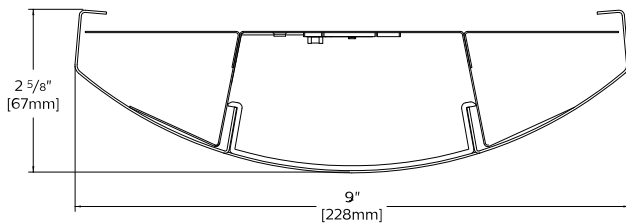
One Light Engine Upper - Indirect (7703)



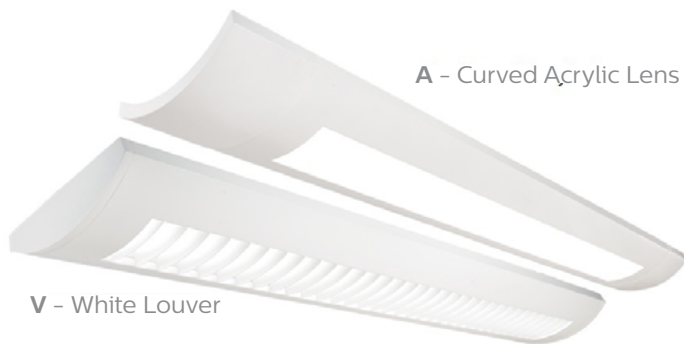
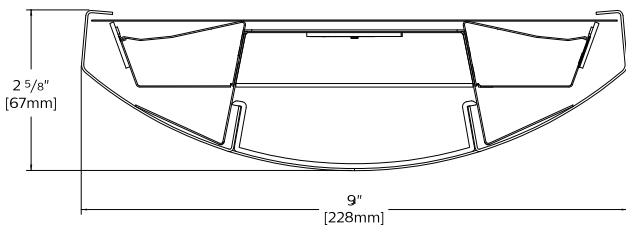
One Light Engine Upper - Indirect/Direct (7705)



One Light Engine Lower - Direct (7711)

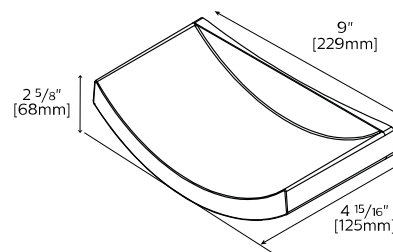


Two Light Engines Upper & Lower - Indirect/Direct (7725 & 7726)

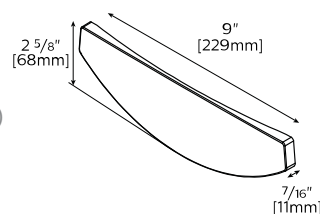


Endcaps

S - Sculpted (Standard)

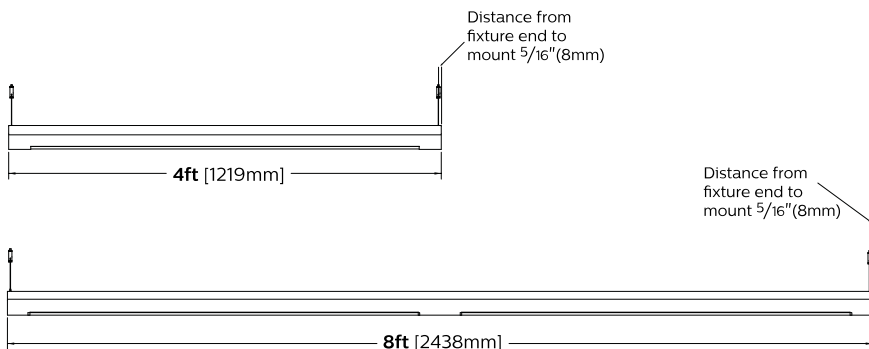


F - Flat



Module Details & Dimensions

Suspended - Side View, No Endcaps



Sona linear suspended

Specifications

Optical System

1. Light Engine Upper: Lateral-facing LED arrays deliver light into both the upper and lower hemispheres, giving a highly efficient, native 70% up / 30% down distribution with a wide, homogeneous upper batwing distribution. A fully indirect version with a solid lower housing can be specified, as well as a 50% down-light kit option.

1. Light Engine Lower: A downward-facing LED array aims light into the lower hemisphere, for a highly efficient, fully direct distribution or optional 80% down version.

2. Light Engines: Both lateral-facing and downward-facing LED arrays are combined in separate upper and lower chambers for the ultimate in up/down distribution control.

Lenses: On the upper surface an engineered diffuser smooths the light distribution on the ceiling and acts as a dust cover. On the lower surface, two 4" wide optics are available: either a curved, engineered acrylic diffuse lens flush to the housing; or a white louver with regressed diffuser for improved high angle cut-off and visual comfort.

Endcaps

Diecast aluminum endcaps, either Sculpted (curved) or Flat. Sculpted endcaps come standard.

Finish

High quality powder coated, available in matte white, black or titanium silver. Other custom colors, including pacific aqua, are available on request. White sensors only.

Housing

Precision formed 18 gauge cold-rolled steel. Cross section size (approx.): 2.6" h x 9" w (suspended) or 7.4" w (wall mount).

Weight

Maximum: Suspended 4.9lb/ft, Wall 3.4lb/ft.

Electrical

Factory pre-wired to section ends with quick-wire connectors.

Standard Drivers

Advance Xitanium 0-10V, 1-100%. Advance Xitanium Sensor Ready, 5-100%. Class 2 rated output. Consult Ledalite for other available drivers.

Standard Battery Pack

Bodine, 90 min, 10W, Class 2 rated output, Emergency lumen output = 10W x luminaire efficacy x 1.1. Typical output: suspended 1400lm, wall 1200lm.

Lumen Maintenance

LEDs have been tested by the manufacturer in accordance with IESNA LM-80-08. At an ambient temperature of 25°C, the LED lumen maintenance expectation according to IES TM-21-11 is:
L80 (12k) >72,000 hrs (Reported methodology)
L80 (12k) 110,000 hrs (Projected methodology).

Source Color

LEDs rated for color rendering CRI >80, R9 >0 and fixture to fixture color accuracy within 3 SDCM.

Controls

Suspended version (1 light engine only) available with SpaceWise DT Occupancy & Daylight Sensors w/ advanced grouping & Dwell Time.

**SpaceWise DT commissioning is via a compatible Android phone App. Compatible wireless dimming wall switches are available for dimming. 347V is not available as a standard option.*

Mounting

Rapid installation sling mount at joints and ends. High strength aircraft cable and stainless steel gripper provide unlimited vertical adjustment and are independently tested to stringent safety standards. Variable mounting along the length of the housing is available for certain configurations upon request.

Joints

Self-aligning, gasketed joining system with hands-free wiring feature. Approvals Certified to UL, CSA and IES standards. Most suspended versions (except 1 light chamber down with louver) are DesignLights Consortium® qualified. Please see the DLC QPL list for exact catalog numbers (www.designlights.org/QPL).

Warranty

Signify indoor professional luminaires 5 year LED warranty: www.signify.com/warranties.

Environment

Rated for dry or damp locations in operating ambient temperatures 0-40°C (32-104°F). Certain luminaire components may be adversely affected by contaminants. Damage caused by sulfur, chlorine, petroleum based solutions or other contaminants in the area of operation are not covered under warranty. Not suitable for natatorium environments.

Sona linear suspended

Photometrics

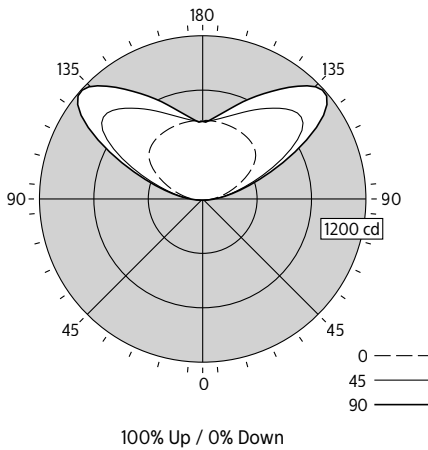
One Light Engine Upper - Indirect (7703)

(Click "IES" text to Download)

Optics	Lumen Package	Nominal CRI & CCT	Flux (lm)	Watts (W)	Efficacy (LPW)	CRI	R9	Distribution	RP-1 VDT	DLC*	IES File
Solid Housing / Acrylic Diffuser NA	4900lm/4ft	80CRI, 4000K	4975	33.6	148.1	84	11	100% Up / 0% Down	Critical spaces	Premium	IES
		80CRI, 3500K	4870	33.4	145.8	83	9	100% Up / 0% Down	Critical spaces	Premium	IES
		80CRI, 3000K	4680	33.4	140.1	84	11	100% Up / 0% Down	Critical spaces	Premium	IES
	3400lm/4ft	80CRI, 4000K	3456	23.2	149.0	84	11	100% Up / 0% Down	Critical spaces	Premium	IES
		80CRI, 3500K	3384	23.0	147.1	83	9	100% Up / 0% Down	Critical spaces	Premium	IES
		80CRI, 3000K	3252	23.0	141.4	84	11	100% Up / 0% Down	Critical spaces	Premium	IES

*DLC is only available with Advance 0-10V (1% dim) drivers. EM Batt. Packs are also not available on DLC.

NA - Solid Housing / Acrylic Diffuser



*Candela shown is for 3400 lm/4ft, 3500K, 80 CRI configuration.

Sona linear suspended

Photometrics

One Light Engine Upper - Indirect/Direct (7705)

(Click "IES" text to Download)

Optics	Lumen Package	Nominal CRI & CCT	Flux (lm)	Watts (W)	Efficacy (LPW)	CRI	R9	Distribution	RP-1 VDT	DLC*	IES File
Acrylic Diffusers (70% Up) AA	6100 lm/4ft	80CRI, 4000K	6273	45.6	137.6	84	11	68% Up / 32% Down	N/A	Standard	IES
		80CRI, 3500K	6142	45.3	135.6	83	9	68% Up / 32% Down	N/A	Standard	IES
		80CRI, 3000K	5899	45.3	130.2	84	11	68% Up / 32% Down	N/A	Standard	IES
	4500 lm/4ft	80CRI, 4000K	4648	33.3	139.6	84	11	68% Up / 32% Down	N/A	Premium	IES
		80CRI, 3500K	4551	33.1	137.5	83	9	68% Up / 32% Down	Normal spaces	Premium	IES
		80CRI, 3000K	4371	33.1	132.1	84	11	68% Up / 32% Down	Normal spaces	Premium	IES
	3100 lm/4ft	80CRI, 4000K	3229	23.0	140.4	84	11	68% Up / 32% Down	Critical spaces	Premium	IES
		80CRI, 3500K	3162	22.8	138.7	83	9	68% Up / 32% Down	Critical spaces	Premium	IES
		80CRI, 3000K	3038	22.8	133.2	84	11	68% Up / 32% Down	Critical spaces	Premium	IES
White Louvers / Acrylic Diffuser (75% Up) VA	6100 lm/4ft	80CRI, 4000K	6104	45.8	133.3	84	11	74% Up / 26% Down	Normal spaces	Standard	IES
		80CRI, 3500K	5977	45.5	131.4	83	9	74% Up / 26% Down	Normal spaces	Standard	IES
		80CRI, 3000K	5741	45.5	126.2	84	11	74% Up / 26% Down	Normal spaces	Standard	IES
	4500 lm/4ft	80CRI, 4000K	4523	33.5	135.0	84	11	74% Up / 26% Down	Normal spaces	Premium	IES
		80CRI, 3500K	4428	33.3	133.0	83	9	74% Up / 26% Down	Normal spaces	Premium	IES
		80CRI, 3000K	4254	33.3	127.7	84	11	74% Up / 26% Down	Normal spaces	Standard	IES
	3100 lm/4ft	80CRI, 4000K	3142	23.1	136.0	84	11	74% Up / 26% Down	Critical spaces	Premium	IES
		80CRI, 3500K	3077	22.9	134.4	83	9	74% Up / 26% Down	Critical spaces	Premium	IES
		80CRI, 3000K	2956	22.9	129.1	84	11	74% Up / 26% Down	Critical spaces	Premium	IES
Acrylic Diffusers + Down Kit (50% Down) AD	6100 lm/4ft	80CRI, 4000K	5706	45.8	124.6	84	11	50% Up / 50% Down	N/A	Standard	IES
		80CRI, 3500K	5587	45.5	122.8	83	9	50% Up / 50% Down	N/A	Standard	IES
		80CRI, 3000K	5366	45.5	117.9	84	11	50% Up / 50% Down	N/A	Standard	IES
	4500 lm/4ft	80CRI, 4000K	4228	33.5	126.2	84	11	50% Up / 50% Down	N/A	Standard	IES
		80CRI, 3500K	4139	33.3	124.3	83	9	50% Up / 50% Down	N/A	Standard	IES
		80CRI, 3000K	3976	33.3	119.4	84	11	50% Up / 50% Down	N/A	Standard	IES
	3100 lm/4ft	80CRI, 4000K	2937	23.1	127.1	84	11	50% Up / 50% Down	Normal spaces	Standard	IES
		80CRI, 3500K	2876	22.9	125.6	83	9	50% Up / 50% Down	Normal spaces	Standard	IES
		80CRI, 3000K	2763	22.9	120.7	84	11	50% Up / 50% Down	Normal spaces	Standard	IES
White Louvers + Down Kit (50% Down) VD	6100 lm/4ft	80CRI, 4000K	5383	45.6	118.0	84	11	57% Up / 43% Down	N/A	Standard	IES
		80CRI, 3500K	5271	45.3	116.4	83	9	57% Up / 43% Down	N/A	Standard	IES
		80CRI, 3000K	5063	45.3	111.8	84	11	57% Up / 43% Down	N/A	Standard	IES
	4500 lm/4ft	80CRI, 4000K	3989	33.3	119.8	84	11	57% Up / 43% Down	Normal spaces	Standard	IES
		80CRI, 3500K	3905	33.1	118.0	83	9	57% Up / 43% Down	Normal spaces	Standard	IES
		80CRI, 3000K	3751	33.1	113.3	84	11	57% Up / 43% Down	Normal spaces	Standard	IES
	3100 lm/4ft	80CRI, 4000K	2771	23.0	120.5	84	11	57% Up / 43% Down	Normal spaces	Standard	IES
		80CRI, 3500K	2714	22.8	119.0	83	9	57% Up / 43% Down	Normal spaces	Standard	IES
		80CRI, 3000K	2607	22.8	114.3	84	11	57% Up / 43% Down	Critical spaces	Standard	IES

*DLC is only available with Advance 0-10V (1% dim) drivers. EM Batt. Packs are also not available on DLC.

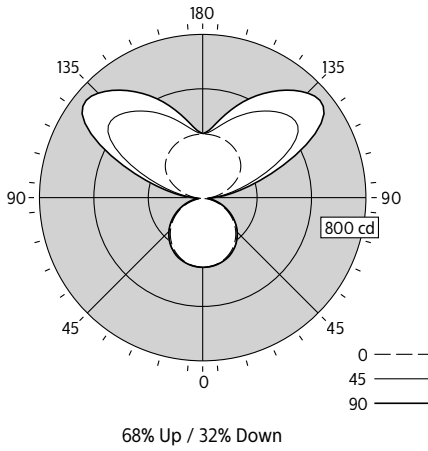
(following on page 6)

Sona linear suspended

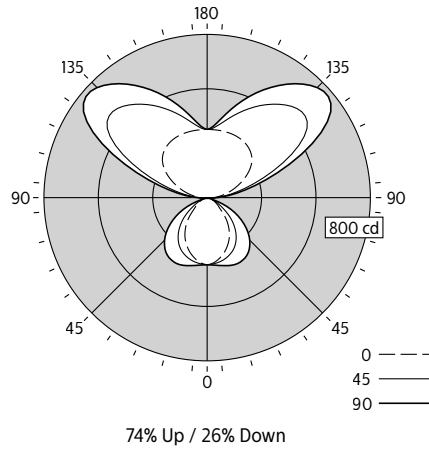
Photometrics (cont'd from page 5)

One Light Engine Upper - Indirect/Direct (7705)

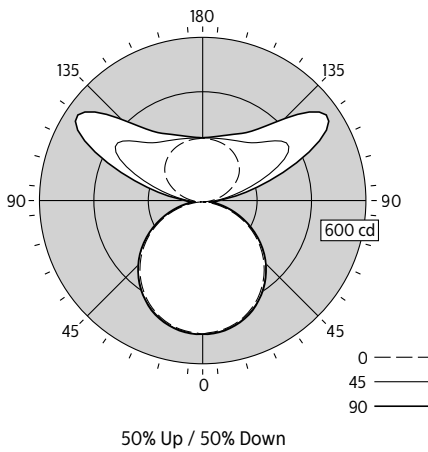
AA - Acrylic Diffusers (70% Up)



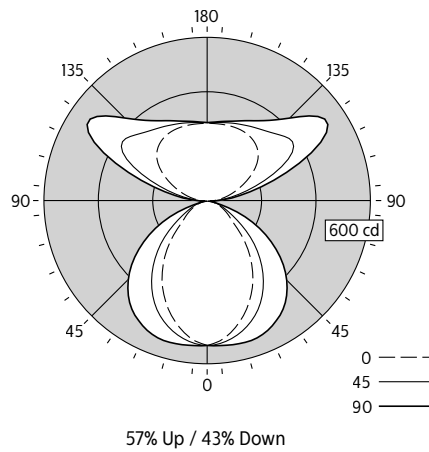
VA - White Louvers / Acrylic Diffuser (75% Up)



AD - Acrylic Diffusers + Down Kit (50% Down)



VD - White Louvers + Down Kit (50% Down)



*Candela shown is for 3100 lm/4ft,
3500K, 80 CRI configuration.

Sona linear suspended

Photometrics

One Light Engine Lower - Direct (7711)

(Click "IES" text to Download)

Optics	Lumen Package	Nominal CRI & CCT	Flux (lm)	Watts (W)	Efficacy (LPW)	CRI	R9	Distribution	RP-1 VDT	DLC*	IES File
Acrylic Diffuser / Solid Housing AN	4500 lm/4ft	80CRI, 4000K	4830	42.5	113.6	83	6	2% Up / 98% Down	N/A	Standard	IES
		80CRI, 3500K	4714	42.5	110.9	82	3	2% Up / 98% Down	N/A	Standard	IES
		80CRI, 3000K	4469	42.5	105.2	82	2	2% Up / 98% Down	N/A	Standard	IES
	3200 lm/4ft	80CRI, 4000K	3494	30.1	116.1	83	6	2% Up / 98% Down	N/A	Standard	IES
		80CRI, 3500K	3410	30.1	113.3	82	3	2% Up / 98% Down	N/A	Standard	IES
		80CRI, 3000K	3232	30.1	107.4	82	2	2% Up / 98% Down	N/A	Standard	IES
	2100 lm/4ft	80CRI, 4000K	2280	19.3	118.1	83	6	2% Up / 98% Down	N/A	Standard	IES
		80CRI, 3500K	2226	19.3	115.3	82	3	2% Up / 98% Down	N/A	Standard	IES
		80CRI, 3000K	2110	19.3	109.3	82	2	2% Up / 98% Down	N/A	Standard	IES
White Louvers / Solid Housing VN	4500 lm/4ft	80CRI, 4000K	4167	42.5	98.0	83	6	2% Up / 98% Down	N/A	N/A	IES
		80CRI, 3500K	4068	42.5	95.7	82	3	2% Up / 98% Down	N/A	N/A	IES
		80CRI, 3000K	3856	42.5	90.7	82	2	2% Up / 98% Down	N/A	N/A	IES
	3200 lm/4ft	80CRI, 4000K	3014	30.1	100.1	83	6	2% Up / 98% Down	Normal spaces	N/A	IES
		80CRI, 3500K	2941	30.1	97.7	82	3	2% Up / 98% Down	Normal spaces	N/A	IES
		80CRI, 3000K	2790	30.1	92.7	82	2	2% Up / 98% Down	Normal spaces	N/A	IES
	2100 lm/4ft	80CRI, 4000K	1967	19.3	101.9	83	6	2% Up / 98% Down	Normal spaces	N/A	IES
		80CRI, 3500K	1920	19.3	99.5	82	3	2% Up / 98% Down	Normal spaces	N/A	IES
		80CRI, 3000K	1821	19.3	94.4	82	2	2% Up / 98% Down	Normal spaces	N/A	IES
Acrylic Diffusers (80% Down) AG	4500 lm/4ft	80CRI, 4000K	5220	42.1	124.0	83	6	21% Up / 79% Down	N/A	N/A	IES
		80CRI, 3500K	5095	42.1	121.0	82	3	21% Up / 79% Down	N/A	N/A	IES
		80CRI, 3000K	4830	42.1	114.7	82	2	21% Up / 79% Down	N/A	N/A	IES
	3200 lm/4ft	80CRI, 4000K	3776	29.8	126.7	83	6	21% Up / 79% Down	N/A	N/A	IES
		80CRI, 3500K	3685	29.8	123.7	82	3	21% Up / 79% Down	N/A	N/A	IES
		80CRI, 3000K	3494	29.8	117.2	82	2	21% Up / 79% Down	N/A	N/A	IES
	2100 lm/4ft	80CRI, 4000K	2464	19.1	129.0	83	6	21% Up / 79% Down	N/A	N/A	IES
		80CRI, 3500K	2406	19.1	126.0	82	3	21% Up / 79% Down	N/A	N/A	IES
		80CRI, 3000K	2281	19.1	119.4	82	2	21% Up / 79% Down	N/A	N/A	IES
White Louvers / Acrylic Diffuser (80% Down) VG	4500 lm/4ft	80CRI, 4000K	4740	42.5	111.5	83	6	27% Up / 73% Down	N/A	N/A	IES
		80CRI, 3500K	4626	42.5	108.8	82	3	27% Up / 73% Down	Normal spaces	N/A	IES
		80CRI, 3000K	4386	42.5	103.2	82	2	27% Up / 73% Down	Normal spaces	N/A	IES
	3200 lm/4ft	80CRI, 4000K	3428	30.1	113.9	83	6	27% Up / 73% Down	Normal spaces	N/A	IES
		80CRI, 3500K	3345	30.1	111.1	82	3	27% Up / 73% Down	Normal spaces	N/A	IES
		80CRI, 3000K	3173	30.1	105.4	82	2	27% Up / 73% Down	Normal spaces	N/A	IES
	2100 lm/4ft	80CRI, 4000K	2237	19.3	115.9	83	6	27% Up / 73% Down	Normal spaces	N/A	IES
		80CRI, 3500K	2184	19.3	113.2	82	3	27% Up / 73% Down	Normal spaces	N/A	IES
		80CRI, 3000K	2071	19.3	107.3	82	2	27% Up / 73% Down	Critical spaces	N/A	IES

*DLC is only available with Advance 0-10V (1% dim) drivers. EM Batt. Packs are also not available on DLC.

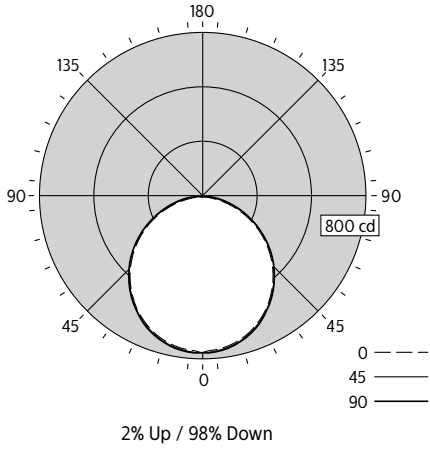
(following on page 8)

Sona linear suspended

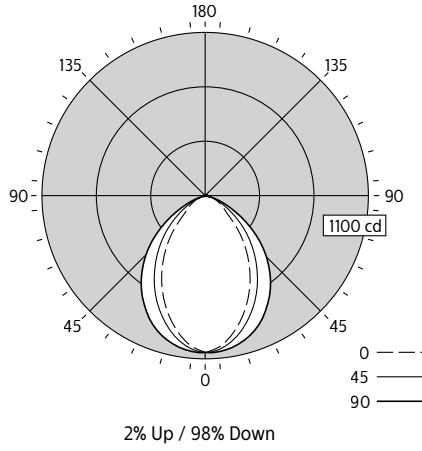
Photometrics (cont'd from page 7)

One Light Engine Lower - Direct (7711)

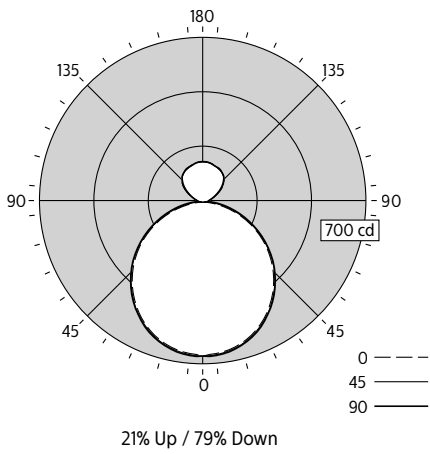
AN - Acrylic Diffuser / Solid Housing



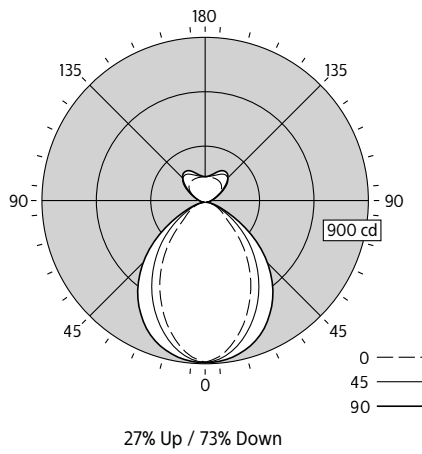
VN - White Louvers / Solid Housing



AG - Acrylic Diffusers (80% Down)



VG - White Louvers / Acrylic Diffuser (80% Down)



*Candela shown is for 2100 lm/4ft,
3500K, 80 CRI configuration.

Sona linear suspended

Photometrics

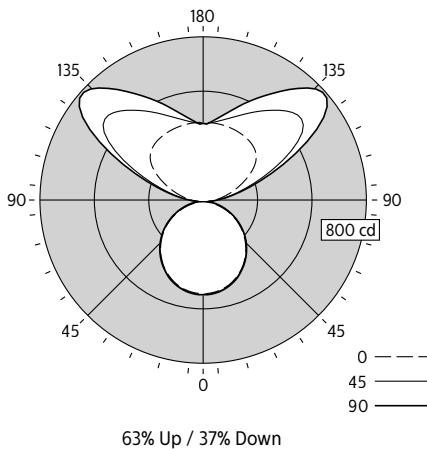
Two Light Engines Upper & Lower - Indirect/Direct (7725)

(Click "IES" text to Download)

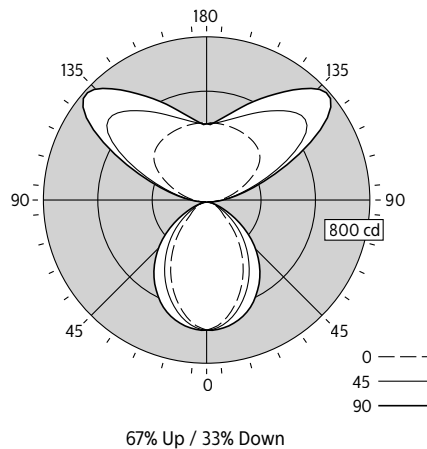
Optics	Lumen Package	Nominal CRI & CCT	Flux (lm)	Watts (W)	Efficacy (LPW)	CRI	R9	Distribution	RP-1 VDT	DLC*	IES File
Acrylic Diffusers (60-70% Up) AA	8200 lm/4ft	80CRI, 4000K	8410	63.7	132.0	84	11	59% Up / 41% Down	N/A	Premium	IES
		80CRI, 3500K	8223	63.5	129.5	83	9	59% Up / 41% Down	N/A	Standard	IES
		80CRI, 3000K	7857	63.5	123.7	84	11	60% Up / 40% Down	N/A	Standard	IES
	7000 lm/4ft	80CRI, 4000K	7217	52.9	136.4	84	11	69% Up / 31% Down	N/A	Premium	IES
		80CRI, 3500K	7058	52.7	133.9	83	9	69% Up / 31% Down	N/A	Premium	IES
		80CRI, 3000K	6753	52.7	128.1	84	11	69% Up / 31% Down	N/A	Standard	IES
	5500 lm/4ft	80CRI, 4000K	5698	42.5	134.1	84	11	61% Up / 39% Down	N/A	Premium	IES
		80CRI, 3500K	5572	42.3	131.7	83	9	61% Up / 39% Down	N/A	Premium	IES
		80CRI, 3000K	5325	42.3	125.9	84	11	61% Up / 39% Down	N/A	Standard	IES
	4600 lm/4ft	80CRI, 4000K	4792	35.2	136.1	84	11	72% Up / 28% Down	Normal spaces	Premium	IES
		80CRI, 3500K	4688	35.0	133.9	83	9	72% Up / 28% Down	Critical spaces	Premium	IES
		80CRI, 3000K	4488	35.0	128.2	84	11	73% Up / 27% Down	Critical spaces	Standard	IES
	3500 lm/4ft	80CRI, 4000K	3626	27.2	133.3	84	11	63% Up / 37% Down	Normal spaces	Premium	IES
		80CRI, 3500K	3546	27.1	130.8	83	9	63% Up / 37% Down	Critical spaces	Premium	IES
		80CRI, 3000K	3390	27.1	125.1	84	11	64% Up / 36% Down	Critical spaces	Standard	IES
White Louvers / Acrylic Diffuser (60-70% Up) VA	8200 lm/4ft	80CRI, 4000K	7924	63.7	124.4	84	11	63% Up / 37% Down	Normal spaces	Standard	IES
		80CRI, 3500K	7748	63.5	122.0	83	9	63% Up / 37% Down	Normal spaces	Standard	IES
		80CRI, 3000K	7409	63.5	116.7	84	11	63% Up / 37% Down	Normal spaces	Standard	IES
	7000 lm/4ft	80CRI, 4000K	6899	52.9	130.4	84	11	72% Up / 28% Down	Normal spaces	Premium	IES
		80CRI, 3500K	6749	52.7	128.1	83	9	72% Up / 28% Down	Normal spaces	Standard	IES
		80CRI, 3000K	6461	52.7	122.6	84	11	72% Up / 28% Down	Normal spaces	Standard	IES
	5500 lm/4ft	80CRI, 4000K	5381	42.5	126.6	84	11	64% Up / 36% Down	Normal spaces	Standard	IES
		80CRI, 3500K	5262	42.3	124.4	83	9	64% Up / 36% Down	Normal spaces	Standard	IES
		80CRI, 3000K	5033	42.3	119.0	84	11	65% Up / 35% Down	Normal spaces	Standard	IES
	4600 lm/4ft	80CRI, 4000K	4604	35.2	130.8	84	11	75% Up / 25% Down	Critical spaces	Premium	IES
		80CRI, 3500K	4503	35.0	128.7	83	9	75% Up / 25% Down	Critical spaces	Standard	IES
		80CRI, 3000K	4314	35.0	123.3	84	11	75% Up / 25% Down	Critical spaces	Standard	IES
	3500 lm/4ft	80CRI, 4000K	3438	27.2	126.4	84	11	67% Up / 33% Down	Critical spaces	Standard	IES
		80CRI, 3500K	3362	27.1	124.1	83	9	67% Up / 33% Down	Critical spaces	Standard	IES
		80CRI, 3000K	3216	27.1	118.7	84	11	67% Up / 33% Down	Critical spaces	Standard	IES

*DLC is only available with Advance 0-10V (1% dim) drivers. EM Batt. Packs are also not available on DLC.

AA - Acrylic Diffusers (60-70% Up)



VA - White Louvers / Acrylic Diffuser (60-70% Up)



*Candela shown is for 3500 lm/4ft, 3500K, 80 CRI configuration.

Sona linear suspended

Photometrics

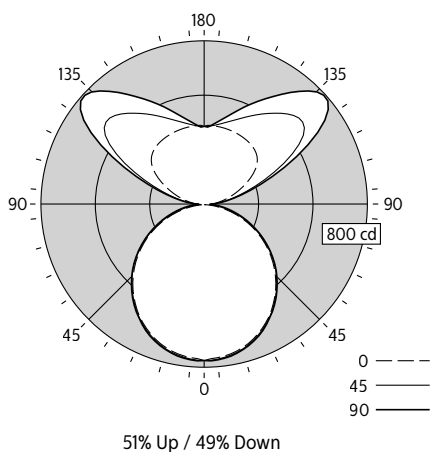
Two Light Engines Upper & Lower - Direct/Indirect (7726)

(Click "IES" text to Download)

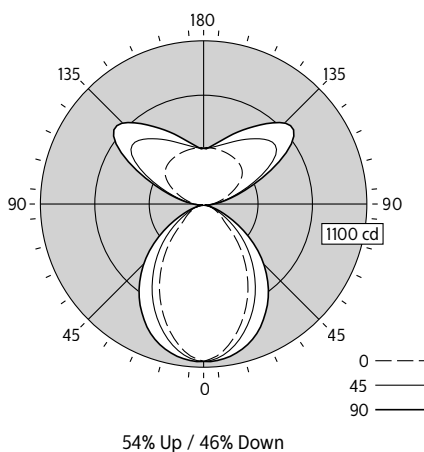
Optics	Lumen Package	Nominal CRI & CCT	Flux (lm)	Watts (W)	Efficacy (LPW)	CRI	R9	Distribution	RP-1 VDT	DLC*	IES File
Acrylic Diffusers (50-60% Dn) AA	6700 lm/4ft	80CRI, 4000K	6891	53.3	129.3	84	11	50% Up / 50% Down	N/A	Standard	IES
		80CRI, 3500K	6736	53.1	126.9	83	9	50% Up / 50% Down	N/A	Standard	IES
		80CRI, 3000K	6429	53.1	121.1	84	11	51% Up / 49% Down	N/A	Standard	IES
	5500 lm/4ft	80CRI, 4000K	5725	45.3	126.4	83	6	40% Up / 60% Down	N/A	N/A	IES
		80CRI, 3500K	5595	45.2	123.8	82	3	40% Up / 60% Down	N/A	N/A	IES
		80CRI, 3000K	5331	45.2	117.9	82	2	41% Up / 59% Down	N/A	N/A	IES
	4600 lm/4ft	80CRI, 4000K	4532	34.5	131.4	84	11	51% Up / 49% Down	N/A	Premium	IES
		80CRI, 3500K	4430	34.4	128.8	83	9	51% Up / 49% Down	N/A	Standard	IES
		80CRI, 3000K	4228	34.4	122.9	84	11	51% Up / 49% Down	N/A	Standard	IES
White Louvers / Acrylic Diffuser (50-60% Dn) VA	6700 lm/4ft	80CRI, 4000K	6405	53.3	120.2	84	11	54% Up / 46% Down	Normal spaces	Standard	IES
		80CRI, 3500K	6261	53.1	117.9	83	9	54% Up / 46% Down	Normal spaces	Standard	IES
		80CRI, 3000K	5981	53.1	112.6	84	11	54% Up / 46% Down	Normal spaces	Standard	IES
	5500 lm/4ft	80CRI, 4000K	5239	45.3	115.7	83	6	44% Up / 56% Down	Normal spaces	Standard	IES
		80CRI, 3500K	5120	45.2	113.3	82	3	44% Up / 56% Down	Normal spaces	Standard	IES
		80CRI, 3000K	4884	45.2	108.1	82	2	44% Up / 56% Down	Normal spaces	Standard	IES
	4600 lm/4ft	80CRI, 4000K	4215	34.5	122.2	84	11	54% Up / 46% Down	Normal spaces	Standard	IES
		80CRI, 3500K	4121	34.4	119.8	83	9	54% Up / 46% Down	Normal spaces	Standard	IES
		80CRI, 3000K	3936	34.4	114.4	84	11	55% Up / 45% Down	Normal spaces	Standard	IES

*DLC is only available with Advance 0-10V (1% dim) drivers. EM Batt. Packs are also not available on DLC.

AA - Acrylic Diffusers (50-60% Down)



VA - White Louvers / Acrylic Diffuser (50-60% Down)



*Candela shown is for 4600 lm/4ft, 3500K, 80 CRI configuration.

