



SilkSpace combines LED Light Guide technology and Ledalite's revolutionary MesoOptics technology to deliver discrete, comfortable lighting with great performance and ultra low-glare.

Project: _____
 Location: _____
 Cat.No: _____
 Type: _____
 Line ID: _____ Qty: _____
 Notes: _____

Ordering guide

example: 4224D1STL8BAS7DE

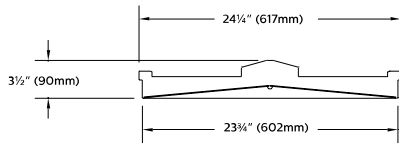
Family	Size	Version	Configuration	Source	CRI/CCT ¹	Lumens ¹	Housing	Wiring ²	Voltage
42		D1		L					
42 SilkSpace	22 2'x2'	D1 Standard T-Grid	ST Standalone CR Continuous Row (1'x4' or 2'x4')	L LED	8A 80CRI/4000K 8B 80CRI/3500K 8C 80CRI/3000K	D 4000lm	S Standard C Chicago Plenum	7 1cct Dimming N 1cct Dimming + EM Batt. Pack	D UNV 120-277V 3 347V D UNV 120-277V
	14 1'x4'					E 3000lm K 1700lm			
	24 2'x4'					A 6800lm C 5200lm D 4000lm			
Driver	Option	Sensor							
E Advance 0-10V (1% Dim)	(no option - leave blank) P Flex Whip (6') D Drywall Trim Kit	(no option - leave blank)							
S Advance Sensor Ready (5% Dim)	N No option P Flex Whip (6') D Drywall Trim Kit	SZ SpaceWise DT Occupancy & Daylight Sensor							

1. Nominal values within a range. Consult photometry data for CRI, color temp, lumens & distribution of chosen configuration.
 2. Not all wiring types are available with all configurations. Consult Ledalite for a complete list of available options.

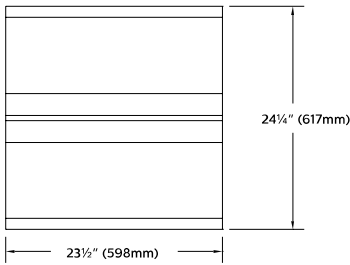
SilkSpace recessed

2'x2', 1'x4' & 2'x4'

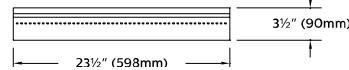
2'x2'



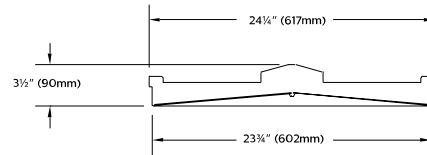
Lens View



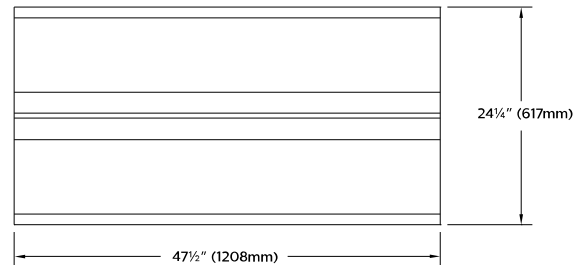
Side View



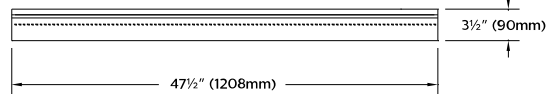
2'x4'



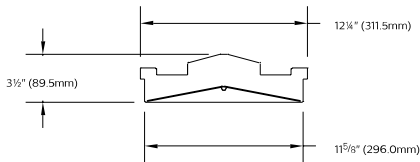
Lens View



Side View



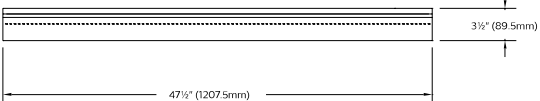
1'x4'



Lens View



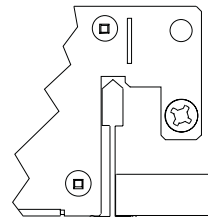
Side View



Mounting Details

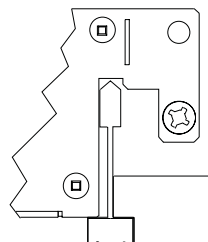
Flat T-Grid

Integrates with most common T-Grid ceiling types



Works with 9/16" & 15/16" flat T-Grid ceilings

Slot T-Grid



Can also be used with slot T-Grid ceilings. For 9/16" slot T-Grid ceilings, fixture will sit 5/16" above bottom of T-Bar.

SilkSpace recessed

2'x2', 1'x4' & 2'x4'

Specifications

Optical System

The optical system is comprised of arrays of LEDs edge lighting a low profile light guide panel. The micro structured surface of the light guide panel optimizes the light extraction creating a homogeneously luminous appearance. Light is then controlled by MesoOptics film suppressing the high-angle light creating an ultra low-glare bat-wing distribution.

Finish

Housing and Frame painted, high quality, powder coated matte white only.

Housing

Sides and center spine: precision aluminum extrusion; end caps, back housing and driver cover: die-formed, 20 gauge cold-rolled steel, pre and post painted. Available in white. Multiple wire entrances are available (top or side) to allow continuous row mounting of fixtures.

Weight

Maximum 28lbs (2x4); 21lbs (1x4); 15lbs (2x2).

Electrical

Factory pre-wired with driver safety disconnect.

Mounting

Fixtures are factory pre-wired and tested for all circuits and emergency battery packs. Compatible with 15/16" lay-in acoustical ceilings using exposed grid suspension (NEMA type G). For 9/16" slot T-grid ceilings, fixture will sit 5/16" above bottom of Tee. Optional drywall kit trim mount can be fastened to a wood frame or with hangar wire. Continuous row mounting not available with drywall kit trim mounts.

Standard Driver

Advance Xitanium 0-10V, 1-100%. Advance Xitanium Sensor Ready (SR), 5-100% (for SpaceWise). Class 2 rated output. Consult Ledalite for other available drivers.

Standard Battery Pack

Bodine, 90 min, 10W, Class 2 rated output, Emergency lumen output = 10W x luminaire efficacy x 1.1. Typical output: 1200lm.

Lumen Maintenance

LEDs have been tested by the manufacturer in accordance with IESNA LM-80-08. At an ambient temperature of 25°C, the LED lumen maintenance expectation according to IES TM-21-11: L90 (10k) >60,000 hrs (Reported methodology) L80 (10k) 125,000 hrs (Projected methodology)

Source Color

LEDs rated for color rendering CRI >80 and fixture to fixture color accuracy within 2 SDCM.

Controls

Available with SpaceWise DT occupancy & daylight sensor w/ advanced grouping & dwell time. SpaceWise DT commissioning via Android phone App. Compatible dimming wireless wall switches are available.

Wiring

Optional flex whips are supplied in 6' lengths.

Approvals

Certified to UL, CSA, and IES standards. City of Chicago Approved CCEA (housing option C). Certain versions without battery packs are DesignLights Consortium® qualified. Please see the DLC QPL list for exact catalog numbers (www.designlights.org/QPL).

Warranty

Five-year luminaire limited warranty including LED boards and driver.

Environment

Rated for dry & damp locations in operating ambient temperatures of 0-25°C (32-77°F). Many luminaire components, such as reflectors, refractors, lenses, and LEDs are made from various types of plastics which can be adversely affected by airborne contaminants. If sulfur based chemicals, petroleum based products, cleaning solutions, or other contaminants are expected in the intended area of use, consult factory for compatibility. Damage caused by sulfur, chlorine, petroleum based solution or other contaminants are not covered under warranty.

SilkSpace recessed

2'x2', 1'x4' & 2'x4'

Photometrics

2'x2'

Spacing Criteria: 1.37/1.65

(Click "PDF" and "IES" text to Download)

Lumen Package	Nominal CRI & CCT	Flux (lm)	Watts (W)	Efficacy (LPW)	CRI	DLC*	UGR	Photometry Report	IES File
4000lm	80CRI, 4000K	4037	39.3	102.7	82	Standard	19	PDF	IES
	80CRI, 3500K	3972	39.3	101.1	82	Standard	19	PDF	IES
	80CRI, 3000K	3905	39.4	99.1	81	Standard	19	PDF	IES
3000lm	80CRI, 4000K	2978	27.8	107.1	82	Standard	18	PDF	IES
	80CRI, 3500K	2931	27.8	105.4	82	Standard	18	PDF	IES
	80CRI, 3000K	2876	27.9	103.1	81	Standard	18	PDF	IES
1700lm	80CRI, 4000K	1832	16.6	110.4	82	N/A	16	PDF	IES
	80CRI, 3500K	1810	16.7	108.4	82	N/A	16	PDF	IES
	80CRI, 3000K	1768	16.7	105.9	81	N/A	16	PDF	IES

*Configurations with EM Batt. Pack options are not DLC eligible.

CANDELA DISTRIBUTION						Flux
	0	22.5	45	67.5	90	Lumens
0	1052	1052	1052	1052	1052	
5	1052	1052	1053	1055	1057	101
15	1041	1048	1066	1086	1094	303
25	1011	1033	1090	1151	1174	505
35	933	972	1073	1181	1217	665
45	669	704	797	913	956	616
55	362	376	416	467	507	387
65	205	210	223	239	247	225
75	86	88	96	104	108	104
85	17	18	21	24	26	24
90	0	0	0	0	0	
95	0	0	0	0	0	0
105	0	0	0	0	0	0
115	0	0	0	0	0	0
125	0	0	0	0	0	0
135	0	0	0	0	0	0
145	0	0	0	0	0	0
155	0	0	0	0	0	0
165	0	0	0	0	0	0
175	0	0	0	0	0	0
180	0	0	0	0	0	0

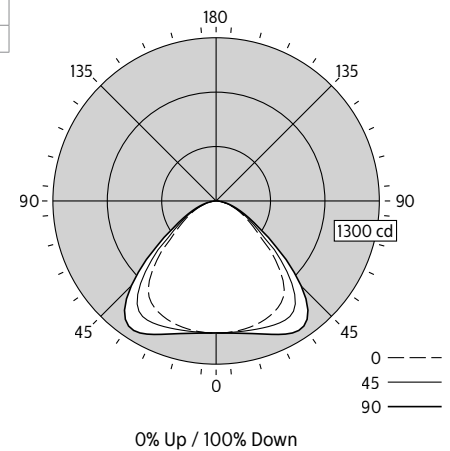
*Photometric data shown is for 3000lm, 3500K, 80 CRI configuration.

COEFFICIENTS OF UTILIZATION (%)													
Pc---	80				70				50				0
Pw---	70	50	30	10	70	50	30	50	30	10	0	0	
RCR	0	119	119	119	119	116	116	116	111	111	111	100	
1	110	106	102	99	108	104	100	100	97	94	87		
2	101	94	88	83	99	92	87	89	84	80	74		
3	93	84	76	70	91	82	75	79	73	69	64		
4	86	75	67	61	84	73	66	71	64	59	56		
5	79	67	59	53	77	66	58	64	57	52	49		
6	73	61	52	46	71	60	52	58	51	46	43		
7	68	55	47	41	66	54	47	53	46	41	38		
8	63	50	42	37	62	50	42	48	41	36	34		
9	59	46	38	33	58	46	38	45	38	33	31		
10	55	43	35	30	54	42	35	41	34	30	28		

ZONAL LUMEN SUMMARY			
Zone	Lumens	%Fixture	%Lamp
0-30	909	31.0%	31.0%
0-40	1574	53.7%	53.7%
0-60	2578	88.0%	88.0%
0-90	2931	100.0%	100.0%
90-130	0	0.0%	0.0%
90-150	0	0.0%	0.0%
90-180	0	0.0%	0.0%
0-180	2931	100.0%	100.0%

Electrical				
120V: P, I, THD, PF	27.8	0.233	8.3	0.994
277V: P, I, THD, PF	27.7	0.105	12.2	0.950
347V: P, I, THD, PF	N/A	N/A	N/A	N/A

AVG LUMINANCE (cd/m²)			
	0	45	90
0	3152	3152	3152
5	3164	3166	3180
15	3229	3306	3393
25	3341	3605	3880
35	3412	3925	4452
45	2833	3378	4052
55	1890	2173	2651
65	1455	1582	1749
75	991	1108	1255
85	571	705	887



SilkSpace recessed

2'x2', 1'x4' & 2'x4'

Photometrics

1'x4'

Spacing Criteria: 1.38/1.61

(Click "PDF" and "IES" text to Download)

Lumen Package	Nominal CRI & CCT	Flux (lm)	Watts (W)	Efficacy (LPW)	CRI	DLC*	UGR	Photometry Report	IES File
4000lm	80CRI, 4000K	4121	37.6	109.6	82	Standard	19	PDF	IES
	80CRI, 3500K	3994	37.7	105.9	82	Standard	19	PDF	IES
	80CRI, 3000K	3882	37.8	102.7	81	Standard	19	PDF	IES
3000lm	80CRI, 4000K	2983	26.8	111.3	82	Standard	18	PDF	IES
	80CRI, 3500K	2906	26.9	108.0	82	Standard	18	PDF	IES
	80CRI, 3000K	2834	26.9	105.4	81	Standard	17	PDF	IES
1700lm	80CRI, 4000K	1789	16.1	111.1	82	Standard	16	PDF	IES
	80CRI, 3500K	1752	16.2	108.1	82	Standard	16	PDF	IES
	80CRI, 3000K	1714	16.3	105.2	81	Standard	16	PDF	IES

*Configurations with EM Batt. Pack options are not DLC eligible.

CANDELA DISTRIBUTION						Flux
	0	22.5	45	67.5	90	Lumens
0	1059	1059	1059	1059	1059	
5	1049	1055	1059	1065	1067	101
15	1039	1051	1071	1092	1100	304
25	1015	1040	1096	1155	1177	508
35	948	989	1082	1176	1205	667
45	693	722	787	853	876	603
55	374	384	408	433	445	376
65	211	214	220	226	229	220
75	88	92	96	100	102	103
85	17	19	21	22	24	25
90	0	0	0	0	0	
95	0	0	0	0	0	0
105	0	0	0	0	0	0
115	0	0	0	0	0	0
125	0	0	0	0	0	0
135	0	0	0	0	0	0
145	0	0	0	0	0	0
155	0	0	0	0	0	0
165	0	0	0	0	0	0
175	0	0	0	0	0	0
180	0	0	0	0	0	

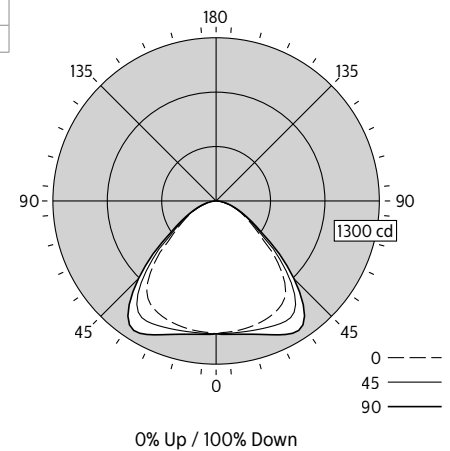
*Photometric data shown is for 3000lm, 3500K, 80 CRI configuration.

COEFFICIENTS OF UTILIZATION (%)													
Pc---	80				70				50				0
Pw---	70	50	30	10	70	50	30	50	30	10	0	0	
RcR	0	119	119	119	119	116	116	116	111	111	111	100	
1	110	106	102	99	108	104	101	100	97	94	87		
2	101	94	88	83	99	92	87	89	84	80	75		
3	93	84	76	71	91	82	75	79	74	69	64		
4	86	75	67	61	84	74	66	71	65	60	56		
5	79	67	59	53	77	66	58	64	57	52	49		
6	73	61	53	47	72	60	52	58	51	46	43		
7	68	55	47	41	67	55	47	53	46	41	38		
8	64	51	43	37	62	50	42	49	42	37	34		
9	59	46	39	33	58	46	38	45	38	33	31		
10	56	43	35	30	54	42	35	41	35	30	28		

ZONAL LUMEN SUMMARY			
Zone	Lumens	%Fixture	%Lamp
0-30	913	31.4%	31.4%
0-40	1580	54.4%	54.4%
0-60	2558	88.0%	88.0%
0-90	2906	100.0%	100.0%
90-130	0	0.0%	0.0%
90-150	0	0.0%	0.0%
90-180	0	0.0%	0.0%
0-180	2906	100.0%	100.0%

Electrical				
120V: P, I, THD, PF	26.9	0.226	8.3	0.994
277V: P, I, THD, PF	26.8	0.102	12.2	0.950
347V: P, I, THD, PF	N/A	N/A	N/A	N/A

AVG LUMINANCE (cd/m ²)			
	0	45	90
0	3281	3281	3281
5	3266	3296	3320
15	3335	3437	3529
25	3472	3748	4027
35	3588	4096	4560
45	3036	3451	3839
55	2019	2207	2404
65	1546	1614	1679
75	1054	1155	1224
85	598	758	847



SilkSpace recessed

2'x2', 1'x4' & 2'x4'

Photometrics

2'x4'

Spacing Criteria: 1.38/1.67

(Click "PDF" and "IES" text to Download)

Lumen Package	Nominal CRI & CCT	Flux (lm)	Watts (W)	Efficacy (LPW)	CRI	DLC*	UGR	Photometry Report	IES File
6800lm	80CRI, 4000K	7093	61.7	115.0	82	Standard	18	PDF	IES
	80CRI, 3500K	6897	61.4	112.3	82	Standard	18	PDF	IES
	80CRI, 3000K	6702	61.9	108.3	81	Standard	18	PDF	IES
5200lm	80CRI, 4000K	5575	46.5	119.9	82	Standard	17	PDF	IES
	80CRI, 3500K	5419	46.6	116.3	82	Standard	17	PDF	IES
	80CRI, 3000K	5267	46.8	112.5	81	Standard	17	PDF	IES
4000lm	80CRI, 4000K	4147	33.9	122.3	82	Standard	16	PDF	IES
	80CRI, 3500K	4031	34.0	118.6	82	Standard	16	PDF	IES
	80CRI, 3000K	3937	34.3	114.8	81	Standard	16	PDF	IES

*Configurations with EM Batt. Pack options are not DLC eligible.

CANDELA DISTRIBUTION						Flux
	0	22.5	45	67.5	90	Lumens
0	1428	1428	1428	1428	1428	
5	1425	1423	1429	1434	1439	137
15	1410	1417	1448	1479	1494	411
25	1375	1401	1486	1577	1616	690
35	1276	1324	1474	1635	1700	916
45	937	977	1099	1234	1291	847
55	514	551	610	664	688	546
65	289	294	308	322	328	308
75	122	124	131	140	143	143
85	23	25	28	32	34	34
90	0	0	0	0	0	
95	0	0	0	0	0	0
105	0	0	0	0	0	0
115	0	0	0	0	0	0
125	0	0	0	0	0	0
135	0	0	0	0	0	0
145	0	0	0	0	0	0
155	0	0	0	0	0	0
165	0	0	0	0	0	0
175	0	0	0	0	0	0
180	0	0	0	0	0	

*Photometric data shown is for 4000lm, 3500K, 80 CRI configuration.

COEFFICIENTS OF UTILIZATION (%)													
Pc---	80				70				50				0
Pw---	70	50	30	10	70	50	30	50	30	10	0	0	
RCR													
0	119	119	119	119	116	116	116	111	111	111	100		
1	110	106	102	99	108	104	100	100	97	94	87		
2	101	94	88	83	99	92	87	89	84	80	74		
3	93	84	76	70	91	82	75	79	73	68	64		
4	86	75	67	60	84	73	66	71	64	59	56		
5	79	67	59	53	77	66	58	64	57	52	49		
6	73	61	52	46	71	60	52	58	51	46	43		
7	68	55	47	41	66	54	46	53	46	40	38		
8	63	50	42	37	62	50	42	48	41	36	34		
9	59	46	38	33	58	46	38	44	37	33	31		
10	55	43	35	30	54	42	35	41	34	30	28		

ZONAL LUMEN SUMMARY			
Zone	Lumens	%Fixture	%Lamp
0-30	1238	30.7%	30.7%
0-40	2154	53.4%	53.4%
0-60	3547	88.0%	88.0%
0-90	4031	100.0%	100.0%
90-130	0	0.0%	0.0%
90-150	0	0.0%	0.0%
90-180	0	0.0%	0.0%
0-180	4031	100.0%	100.0%

Electrical				
120V: P, I, THD, PF	34.0	0.284	6.2	0.996
277V: P, I, THD, PF	33.7	0.126	9.8	0.966
347V: P, I, THD, PF	N/A	N/A	N/A	N/A

AVG LUMINANCE (cd/m ²)			
	0	45	90
0	2084	2084	2084
5	2088	2094	2108
15	2131	2188	2258
25	2214	2393	2603
35	2274	2627	3029
45	1935	2269	2665
55	1309	1553	1752
65	997	1062	1133
75	685	741	805
85	385	474	564

