

**SilkSpace** combines LED Light Guide technology and Ledalite's revolutionary MesoOptics technology to deliver discrete, comfortable lighting with great performance and ultra low-glare.

Project: \_\_\_\_\_  
 Location: \_\_\_\_\_  
 Cat.No: \_\_\_\_\_  
 Type: \_\_\_\_\_  
 Line ID: \_\_\_\_\_ Qty: \_\_\_\_\_  
 Notes: \_\_\_\_\_

### Ordering guide - Standard

example: 4224D1STL8BAS7DE

Family	Size	Version	Configuration	Source	CRI/CCT <sup>1</sup>	Lumens <sup>1</sup>	Housing	Wiring <sup>2</sup>
<b>42</b>		<b>D1</b>		<b>L</b>				
<b>42</b> SilkSpace	<b>22</b> 2'x2'	<b>D1</b> Standard T-Grid	<b>ST</b> Standalone <b>CR</b> Continuous Row (1'x4' or 2'x4')	<b>L</b> LED	<b>8A</b> 80CRI/4000K <b>8B</b> 80CRI/3500K <b>8C</b> 80CRI/3000K	<b>D</b> 4000lm	<b>S</b> Standard <b>C</b> Chicago Plenum	<b>7</b> 1cct Dimming <b>N</b> 1cct Dimming + Battery Pack
	<b>14</b> 1'x4'					<b>E</b> 3000lm		
	<b>24</b> 2'x4'					<b>K</b> 1700lm <b>A</b> 6800lm <b>C</b> 5200lm <b>D</b> 4000lm		
Voltage	Driver <sup>2,3</sup>	Option	Systems/Controls					
<b>D</b> UNV 120-277V <b>3</b> 347V	<b>E</b> Advance 0-10V (1% Dim) <b>H</b> Lutron EcoSystem LDE1	<b>P</b> Flex Whip (6') <b>D</b> Drywall Trim Kit						
<b>D</b> UNV 120-277V	<b>S</b> Advance Sensor Ready (5% Dim)	<b>N</b> No Option <b>P</b> Flex Whip (6') <b>D</b> Drywall Trim Kit	<b>SZ</b> SpaceWise DT Daylight & Occupancy					

1. Nominal values within a range. Consult photometry data for CRI, color temp, lumens & distribution of chosen configuration.
2. Not all wiring types are available with all configurations. Consult Ledalite for a complete list of available options.
3. Lutron EcoSystem Drivers are not available in 347V.

### Standalone controls

#### SpaceWise DT

- Suspended version available with SpaceWise DT Daylight & Occupancy sensing with advanced grouping & dwell time.
- Dimming with compatible Zigbee wireless wall switches.

[www.usa.lighting.philips.com/systems/lighting-systems/spacewise](http://www.usa.lighting.philips.com/systems/lighting-systems/spacewise)

See p. 2 for Connected & IoT product offerings.

# SilkSpace recessed

2'x2', 1'x4' & 2'x4'

## Ordering guide – Connected systems

example: 4222D1STL2DSNLPDIO

Family	Size	Version	Configuration	Source	CRI/CCT <sup>1</sup>	Lumens <sup>1</sup>	Housing	Wiring <sup>2</sup>
<b>42</b>		<b>D1</b>		<b>L</b>				
42 SilkSpace	22 2'x2'	D1 Standard T-Grid	ST Standalone CR Continuous Row (1'x4' or 2'x4')	L LED	8A 80CRI/4000K	D 4000lm	S Standard C Chicago Plenum	7 1cct Dimming
	8B 80CRI/3500K				E 3000lm	N 1cct Dimming + Battery Pack		
	8C 80CRI/3000K				K 1700lm			
	24 2'x4'				2 2-channel Tunable White 80CRI/2700-6500K	A 6800lm C 5200lm D 4000lm		
Voltage	Driver	Option	System/Controls <sup>2,3</sup>					
D UNV 120-277V 3 347V	S Advance Sensor Ready (5% Dim)	P Flex Whip (6') D Drywall Trim Kit N No Option	IP Interact Pro					
L Low Voltage (48-54V DC)	P PoE Lighting Controller	D Drywall Trim Kit N No Option	IO Interact Office Wired (PoE) with Daylight and Occupancy					

Note: Options with the same color coding must be paired together.

1. Nominal values within a range. Consult photometry data for CRI, color temp, lumens & distribution of chosen configuration.
2. Not all wiring types or sensors are available with all configurations. Consult Ledalite for a complete list of available options.
3. Sensors only available in white, sensors can be combined with any luminaire finish.

## Connected systems

### Interact Pro

- A wireless IoT connected lighting solution for small and medium-sized businesses.
- Commissioning via Android or iOS mobile device and Interact Pro app.
- Compatible Zigbee Green Power wall dimmer and wireless Occupancy or Daylight & Occupancy sensors available.
- Open APIs for light control and data exchange.

[www.interact-lighting.com/pro](http://www.interact-lighting.com/pro)

### Interact Office Wired (PoE), Tunable White

- PoE based IoT connected lighting solution for large enterprises that span across multiple floors, buildings and require multiple gateways.
- Use Interact Office software and insights to increase building efficiency, achieve building wide integration and optimize space through occupancy analytics.
- Human centric lighting through tunable white technology – Dynamic behaviors via scheduled lighting recipes mimicking daylight patterns or supporting biorhythms.
- Supports advanced IoT Apps on Personal Control, Space Management, wayfinding, room/desk reservation and offers open APIs for light control and data exchange.

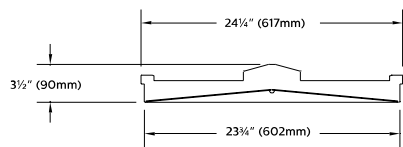
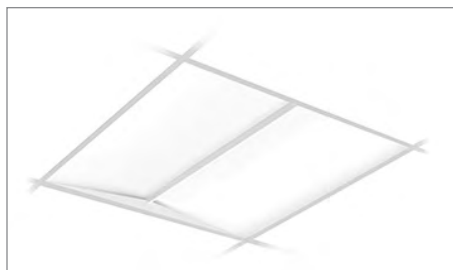
[www.interact-lighting.com/office](http://www.interact-lighting.com/office) or [www.usa.lighting.philips.com/systems/system-areas/offices](http://www.usa.lighting.philips.com/systems/system-areas/offices)

Note: Signify Interact Office Luminaires are not sold individually and are only compatible with Signify's Interact Office control system & software. The system requires a compatible back-end IT infrastructure for normal operations, please consult your Signify representative for additional information.

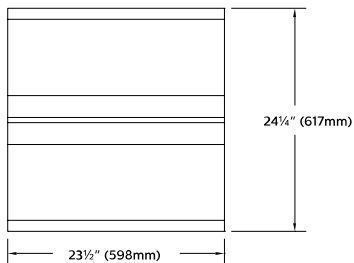
# SilkSpace recessed

2'x2', 1'x4' & 2'x4'

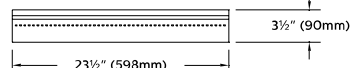
## 2'x2'



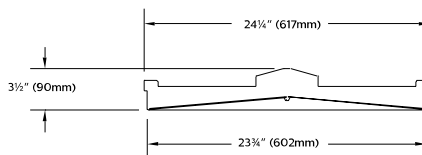
### Lens View



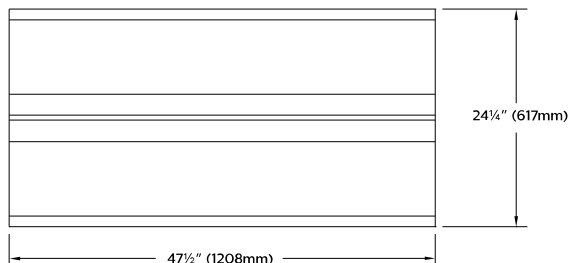
### Side View



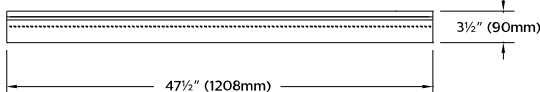
## 2'x4'



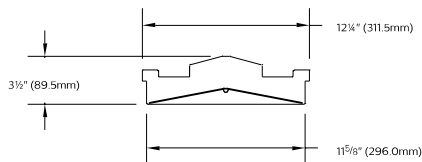
### Lens View



### Side View



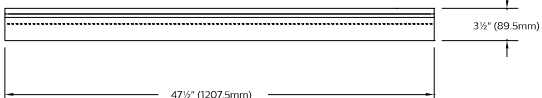
## 1'x4'



### Lens View



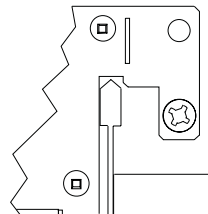
### Side View



## Mounting Details

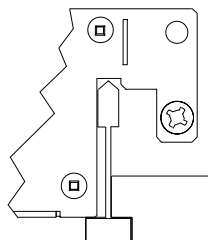
### Flat T-Grid

Integrates with most common T-Grid ceiling types



Works with 9/16" & 15/16" flat T-Grid ceilings

### Slot T-Grid



Can also be used with slot T-Grid ceilings. For 9/16" slot T-Grid ceilings, fixture will sit 5/16" above bottom of T-Bar.

# SilkSpace recessed

## 2'x2', 1'x4' & 2'x4'

### Specifications

#### Optical System

The optical system is comprised of arrays of LEDs edge lighting a low profile light guide panel. The micro structured surface of the light guide panel optimizes the light extraction creating a homogeneously luminous appearance. Light is then controlled by MesoOptics film suppressing the high-angle light creating an ultra low-glare bat-wing distribution.

#### Finish

Housing and Frame painted, high quality, powder coated matte white only.

#### Housing

Sides and center spine: precision aluminum extrusion; end caps, back housing and driver cover: die-formed, 20 gauge cold-rolled steel, pre and post painted. Available in white. Multiple wire entrances are available (top or side) to allow continuous row mounting of fixtures.

#### Weight

Maximum 28lbs (2x4); 21lbs (1x4); 15lbs (2x2).

#### Electrical

Factory pre-wired with driver safety disconnect.

#### Mounting

Fixtures are factory pre-wired and tested for all circuits and emergency battery packs. Compatible with 15/16" lay-in acoustical ceilings using exposed grid suspension (NEMA type G). For 9/16" slot T-grid ceilings, fixture will sit 5/16" above bottom of Tee. Optional drywall kit trim mount can be fastened to a wood frame or with hangar wire. Continuous row mounting not available with drywall kit trim mounts.

#### Standard Driver

Advance Xitanium 0-10V, 1% dimming.

Advance Xitanium Sensor Ready (SR), 5% dimming.

PoE Lighting Controller (for PoE tunable white).

Lutron EcoSystem LDE1, 1% dimming with Soft-on, Fade-to-Black.

Class 2 rated output.

Consult Ledalite for other available drivers.

#### Standard Battery Packs

Bodine Battery Pack, 90 min, 10W, Class 2 rated output.

Lumen output = 10W x luminaire efficacy x 1.1. Typical output 1100lm.

PoE Battery Pack, 90 min, 6W, Class2 rated output.

Lumen output = 6W x luminaire efficacy. Typical output 650lm.

#### Lumen Maintenance

LEDs have been tested by the manufacturer in accordance with IESNA LM-80-08. At an ambient temperature of 25°C, the LED lumen maintenance expectation according to IES TM-21-11:

L90 (10k) >60,000 hrs (Reported methodology)

L80 (10k) 125,000 hrs (Projected methodology)

#### Source Color

LEDs rated for color rendering of:

CRI >80 & R9 >0

CRI >90 & R9>50

Fixture to fixture color accuracy within:

2 SDCM for Static White luminaires

3 SDCM for Tunable White luminaires

#### Wiring

Optional flex whips are supplied in 6' lengths.

#### Approvals

Certified to UL, CSA, and IES standards. City of Chicago Approved CCEA (housing option C). Certain versions without battery packs are DesignLights Consortium® qualified. Please see the DLC QPL list for exact catalog numbers [www.designlights.org/QPL](http://www.designlights.org/QPL).

#### Quick Ship

Available for most non-connected configurations upon request. More information available at: [www.signify.com/en-us/brands/ledalite/quickship](http://www.signify.com/en-us/brands/ledalite/quickship)

#### Warranty

Five-year luminaire limited warranty including LED boards and driver.

[www.signify.com/warranties](http://www.signify.com/warranties)

#### Environment

Rated for dry & damp locations in operating ambient temperatures of 0-25°C (32-77°F). Many luminaire components, such as reflectors, refractors, lenses, and LEDs are made from various types of plastics which can be adversely affected by airborne contaminants. If sulfur based chemicals, petroleum based products, cleaning solutions, or other contaminants are expected in the intended area of use, consult factory for compatibility. Damage caused by sulfur, chlorine, petroleum based solution or other contaminants are not covered under warranty.

# SilkSpace recessed

## 2'x2', 1'x4' & 2'x4'

### Photometrics

2'x2'

Spacing Criteria: 1.37/1.65

(Click "PDF" and "IES" text to Download)

Lumen Package	Nominal CRI & CCT	Flux (lm)	Watts (W)	Efficacy (LPW)	CRI	DLC*	UGR	Photometry Report	IES File
4000lm	80CRI, 4000K	4037	39.3	102.7	82	Standard	19	<a href="#">PDF</a>	<a href="#">IES</a>
	80CRI, 3500K	3972	39.3	101.1	82	Standard	19	<a href="#">PDF</a>	<a href="#">IES</a>
	80CRI, 3000K	3905	39.4	99.1	81	Standard	19	<a href="#">PDF</a>	<a href="#">IES</a>
3000lm	80CRI, 4000K	2978	27.8	107.1	82	Standard	18	<a href="#">PDF</a>	<a href="#">IES</a>
	80CRI, 3500K	2931	27.8	105.4	82	Standard	18	<a href="#">PDF</a>	<a href="#">IES</a>
	80CRI, 3000K	2876	27.9	103.1	81	Standard	18	<a href="#">PDF</a>	<a href="#">IES</a>
1700lm	80CRI, 4000K	1832	16.6	110.4	82	N/A	16	<a href="#">PDF</a>	<a href="#">IES</a>
	80CRI, 3500K	1810	16.7	108.4	82	N/A	16	<a href="#">PDF</a>	<a href="#">IES</a>
	80CRI, 3000K	1768	16.7	105.9	81	N/A	16	<a href="#">PDF</a>	<a href="#">IES</a>

\*Configurations with Battery Pack options are not DLC eligible.

CANDELA DISTRIBUTION						Flux
	0	22.5	45	67.5	90	Lumens
0	1052	1052	1052	1052	1052	
5	1052	1052	1053	1055	1057	101
15	1041	1048	1066	1086	1094	303
25	1011	1033	1090	1151	1174	505
35	933	972	1073	1181	1217	665
45	669	704	797	913	956	616
55	362	376	416	467	507	387
65	205	210	223	239	247	225
75	86	88	96	104	108	104
85	17	18	21	24	26	24
90	0	0	0	0	0	
95	0	0	0	0	0	0
105	0	0	0	0	0	0
115	0	0	0	0	0	0
125	0	0	0	0	0	0
135	0	0	0	0	0	0
145	0	0	0	0	0	0
155	0	0	0	0	0	0
165	0	0	0	0	0	0
175	0	0	0	0	0	0
180	0	0	0	0	0	0

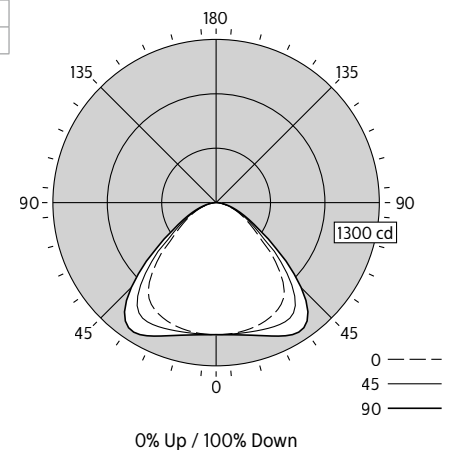
\*Photometric data shown is for 3000lm, 3500K, 80 CRI configuration.

COEFFICIENTS OF UTILIZATION (%)												
Pc---	80				70			50			0	
Pw---	70	50	30	10	70	50	30	50	30	10	0	
RCR	0	119	119	119	119	116	116	116	111	111	111	100
	1	110	106	102	99	108	104	100	100	97	94	87
	2	101	94	88	83	99	92	87	89	84	80	74
	3	93	84	76	70	91	82	75	79	73	69	64
	4	86	75	67	61	84	73	66	71	64	59	56
	5	79	67	59	53	77	66	58	64	57	52	49
	6	73	61	52	46	71	60	52	58	51	46	43
	7	68	55	47	41	66	54	47	53	46	41	38
	8	63	50	42	37	62	50	42	48	41	36	34
	9	59	46	38	33	58	46	38	45	38	33	31
	10	55	43	35	30	54	42	35	41	34	30	28

ZONAL LUMEN SUMMARY			
Zone	Lumens	%Fixture	%Lamp
0-30	909	31.0%	31.0%
0-40	1574	53.7%	53.7%
0-60	2578	88.0%	88.0%
0-90	2931	100.0%	100.0%
90-130	0	0.0%	0.0%
90-150	0	0.0%	0.0%
90-180	0	0.0%	0.0%
0-180	2931	100.0%	100.0%

Electrical				
Voltage (V)	Power (W)	Current (A)	THD (%)	Power factor
120	27.8	0.233	8.3	0.994
277	27.7	0.105	12.2	0.950
347	N/A	N/A	N/A	N/A

AVG LUMINANCE (cd/m²)			
	0	45	90
0	3152	3152	3152
5	3164	3166	3180
15	3229	3306	3393
25	3341	3605	3880
35	3412	3925	4452
45	2833	3378	4052
55	1890	2173	2651
65	1455	1582	1749
75	991	1108	1255
85	571	705	887



# SilkSpace recessed

## 2'x2', 1'x4' & 2'x4'

### Photometrics

1'x4'

Spacing Criteria: 1.38/1.61

(Click "PDF" and "IES" text to Download)

Lumen Package	Nominal CRI & CCT	Flux (lm)	Watts (W)	Efficacy (LPW)	CRI	DLC*	UGR	Photometry Report	IES File
4000lm	80CRI, 4000K	4121	37.6	109.6	82	Standard	19	<a href="#">PDF</a>	<a href="#">IES</a>
	80CRI, 3500K	3994	37.7	105.9	82	Standard	19	<a href="#">PDF</a>	<a href="#">IES</a>
	80CRI, 3000K	3882	37.8	102.7	81	Standard	19	<a href="#">PDF</a>	<a href="#">IES</a>
3000lm	80CRI, 4000K	2983	26.8	111.3	82	Standard	18	<a href="#">PDF</a>	<a href="#">IES</a>
	80CRI, 3500K	2906	26.9	108.0	82	Standard	18	<a href="#">PDF</a>	<a href="#">IES</a>
	80CRI, 3000K	2834	26.9	105.4	81	Standard	17	<a href="#">PDF</a>	<a href="#">IES</a>
1700lm	80CRI, 4000K	1789	16.1	111.1	82	Standard	16	<a href="#">PDF</a>	<a href="#">IES</a>
	80CRI, 3500K	1752	16.2	108.1	82	Standard	16	<a href="#">PDF</a>	<a href="#">IES</a>
	80CRI, 3000K	1714	16.3	105.2	81	Standard	16	<a href="#">PDF</a>	<a href="#">IES</a>

\*Configurations with Battery Pack options are not DLC eligible.

CANDELA DISTRIBUTION						Flux
	0	22.5	45	67.5	90	Lumens
0	1059	1059	1059	1059	1059	
5	1049	1055	1059	1065	1067	101
15	1039	1051	1071	1092	1100	304
25	1015	1040	1096	1155	1177	508
35	948	989	1082	1176	1205	667
45	693	722	787	853	876	603
55	374	384	408	433	445	376
65	211	214	220	226	229	220
75	88	92	96	100	102	103
85	17	19	21	22	24	25
90	0	0	0	0	0	
95	0	0	0	0	0	0
105	0	0	0	0	0	0
115	0	0	0	0	0	0
125	0	0	0	0	0	0
135	0	0	0	0	0	0
145	0	0	0	0	0	0
155	0	0	0	0	0	0
165	0	0	0	0	0	0
175	0	0	0	0	0	0
180	0	0	0	0	0	

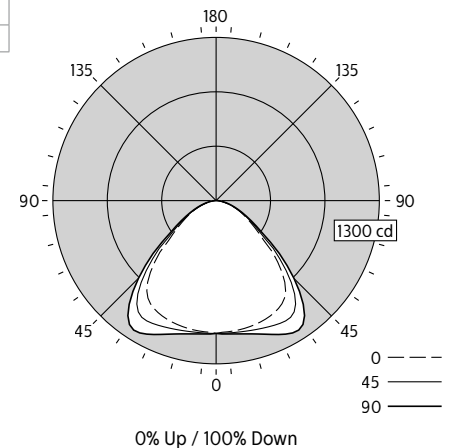
\*Photometric data shown is for 3000lm, 3500K, 80 CRI configuration.

COEFFICIENTS OF UTILIZATION (%)													
Pc---	80				70				50				0
Pw---	70	50	30	10	70	50	30	50	30	10	0	0	
RCR	0	119	119	119	119	116	116	116	111	111	111	100	
	1	110	106	102	99	108	104	101	100	97	94	87	
	2	101	94	88	83	99	92	87	89	84	80	75	
	3	93	84	76	71	91	82	75	79	74	69	64	
	4	86	75	67	61	84	74	66	71	65	60	56	
	5	79	67	59	53	77	66	58	64	57	52	49	
	6	73	61	53	47	72	60	52	58	51	46	43	
	7	68	55	47	41	67	55	47	53	46	41	38	
	8	64	51	43	37	62	50	42	49	42	37	34	
	9	59	46	39	33	58	46	38	45	38	33	31	
	10	56	43	35	30	54	42	35	41	35	30	28	

ZONAL LUMEN SUMMARY			
Zone	Lumens	%Fixture	%Lamp
0-30	913	31.4%	31.4%
0-40	1580	54.4%	54.4%
0-60	2558	88.0%	88.0%
0-90	2906	100.0%	100.0%
90-130	0	0.0%	0.0%
90-150	0	0.0%	0.0%
90-180	0	0.0%	0.0%
0-180	2906	100.0%	100.0%

Electrical				
Voltage (V)	Power (W)	Current (A)	THD (%)	Power factor
120	26.9	0.226	8.3	0.994
277	26.8	0.102	12.2	0.950
347	N/A	N/A	N/A	N/A

AVG LUMINANCE (cd/m <sup>2</sup> )			
	0	45	90
0	3281	3281	3281
5	3266	3296	3320
15	3335	3437	3529
25	3472	3748	4027
35	3588	4096	4560
45	3036	3451	3839
55	2019	2207	2404
65	1546	1614	1679
75	1054	1155	1224
85	598	758	847



# SilkSpace recessed

## 2'x2', 1'x4' & 2'x4'

### Photometrics

2'x4'

Spacing Criteria: 1.38/1.67

(Click "PDF" and "IES" text to Download)

Lumen Package	Nominal CRI & CCT	Flux (lm)	Watts (W)	Efficacy (LPW)	CRI	DLC*	UGR	Photometry Report	IES File
6800lm	80CRI, 4000K	7093	61.7	115.0	82	Standard	18	<a href="#">PDF</a>	<a href="#">IES</a>
	80CRI, 3500K	6897	61.4	112.3	82	Standard	18	<a href="#">PDF</a>	<a href="#">IES</a>
	80CRI, 3000K	6702	61.9	108.3	81	Standard	18	<a href="#">PDF</a>	<a href="#">IES</a>
5200lm	80CRI, 4000K	5575	46.5	119.9	82	Standard	17	<a href="#">PDF</a>	<a href="#">IES</a>
	80CRI, 3500K	5419	46.6	116.3	82	Standard	17	<a href="#">PDF</a>	<a href="#">IES</a>
	80CRI, 3000K	5267	46.8	112.5	81	Standard	17	<a href="#">PDF</a>	<a href="#">IES</a>
4000lm	80CRI, 4000K	4147	33.9	122.3	82	Standard	16	<a href="#">PDF</a>	<a href="#">IES</a>
	80CRI, 3500K	4031	34.0	118.6	82	Standard	16	<a href="#">PDF</a>	<a href="#">IES</a>
	80CRI, 3000K	3937	34.3	114.8	81	Standard	16	<a href="#">PDF</a>	<a href="#">IES</a>

\*Configurations with Battery Pack options are not DLC eligible.

CANDELA DISTRIBUTION						Flux
	0	22.5	45	67.5	90	Lumens
0	1428	1428	1428	1428	1428	
5	1425	1423	1429	1434	1439	137
15	1410	1417	1448	1479	1494	411
25	1375	1401	1486	1577	1616	690
35	1276	1324	1474	1635	1700	916
45	937	977	1099	1234	1291	847
55	514	551	610	664	688	546
65	289	294	308	322	328	308
75	122	124	131	140	143	143
85	23	25	28	32	34	34
90	0	0	0	0	0	
95	0	0	0	0	0	0
105	0	0	0	0	0	0
115	0	0	0	0	0	0
125	0	0	0	0	0	0
135	0	0	0	0	0	0
145	0	0	0	0	0	0
155	0	0	0	0	0	0
165	0	0	0	0	0	0
175	0	0	0	0	0	0
180	0	0	0	0	0	

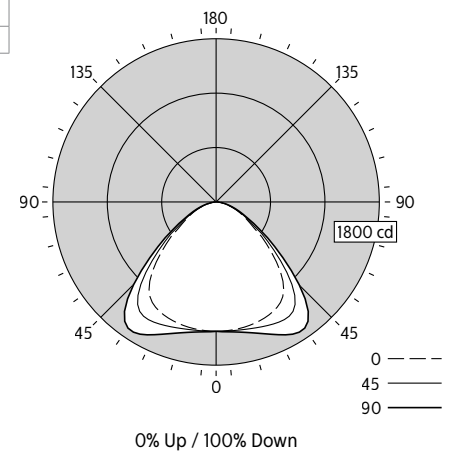
\*Photometric data shown is for 4000lm, 3500K, 80 CRI configuration.

COEFFICIENTS OF UTILIZATION (%)													
Pc---	80				70				50				0
Pw---	70	50	30	10	70	50	30	50	30	10	0	0	
RCR													
0	119	119	119	119	116	116	116	111	111	111	100		
1	110	106	102	99	108	104	100	100	97	94	87		
2	101	94	88	83	99	92	87	89	84	80	74		
3	93	84	76	70	91	82	75	79	73	68	64		
4	86	75	67	60	84	73	66	71	64	59	56		
5	79	67	59	53	77	66	58	64	57	52	49		
6	73	61	52	46	71	60	52	58	51	46	43		
7	68	55	47	41	66	54	46	53	46	40	38		
8	63	50	42	37	62	50	42	48	41	36	34		
9	59	46	38	33	58	46	38	44	37	33	31		
10	55	43	35	30	54	42	35	41	34	30	28		

ZONAL LUMEN SUMMARY			
Zone	Lumens	%Fixture	%Lamp
0-30	1238	30.7%	30.7%
0-40	2154	53.4%	53.4%
0-60	3547	88.0%	88.0%
0-90	4031	100.0%	100.0%
90-130	0	0.0%	0.0%
90-150	0	0.0%	0.0%
90-180	0	0.0%	0.0%
0-180	4031	100.0%	100.0%

Electrical				
Voltage (V)	Power (W)	Current (A)	THD (%)	Power factor
120	34.0	0.284	6.2	0.996
277	33.7	0.126	9.8	0.966
347	N/A	N/A	N/A	N/A

AVG LUMINANCE (cd/m²)			
	0	45	90
0	2084	2084	2084
5	2088	2094	2108
15	2131	2188	2258
25	2214	2393	2603
35	2274	2627	3029
45	1935	2269	2665
55	1309	1553	1752
65	997	1062	1133
75	685	741	805
85	385	474	564



# SilkSpace recessed w/tunable white

2'x2', 1'x4' & 2'x4'

## Photometrics

2'x2'

Spacing Criteria: 1.37/1.65

(Click "PDF" and "IES" text to Download)

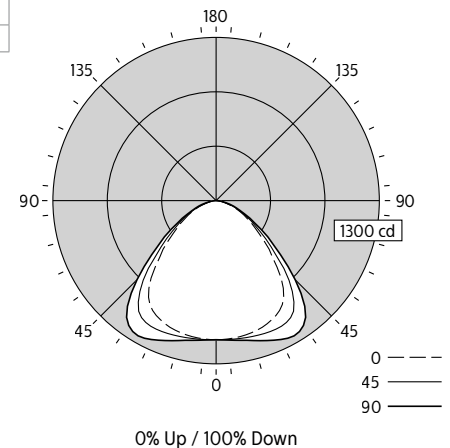
Lumen Package	Nominal CRI & CCT	Flux (lm)	Power <sup>1</sup> (W)	Efficacy <sup>1</sup> (LPW)	CRI	R9	RP1-VDT	Photometry Report	IES File
4000lm	80CRI, 2700K	4012	39.2	102.3	81	4	N/A	PDF	IES
	80CRI, 3000K	4014	38.1	105.3	84	13	N/A		
	80CRI, 3500K	4016	36.9	108.7	86	20	N/A		
	80CRI, 4000K	4018	36.0	111.5	86	22	N/A		
	80CRI, 5000K	4020	34.6	116.0	85	16	N/A		
	80CRI, 6500K	4022	33.5	120.0	83	5	N/A		
3000lm	80CRI, 2700K	2992	27.7	108.1	81	4	Normal spaces	PDF	IES
	80CRI, 3000K	2994	27.1	110.5	84	13	Normal spaces		
	80CRI, 3500K	2997	26.5	113.2	86	20	Normal spaces		
	80CRI, 4000K	2999	26.0	115.4	86	22	Normal spaces		
	80CRI, 5000K	3002	25.3	118.8	85	16	Normal spaces		
	80CRI, 6500K	3005	24.7	121.8	83	5	Normal spaces		
1700lm	80CRI, 2700K	1701	15.2	111.9	82	6	Critical spaces	PDF	IES
	80CRI, 3000K	1701	15.0	113.2	84	14	Critical spaces		
	80CRI, 3500K	1701	14.8	114.7	86	21	Critical spaces		
	80CRI, 4000K	1701	14.7	115.9	86	23	Critical spaces		
	80CRI, 5000K	1701	14.5	117.7	85	18	Critical spaces		
	80CRI, 6500K	1701	14.3	119.3	83	5	Critical spaces		

CANDELA DISTRIBUTION						Flux
	0	22.5	45	67.5	90	Lumens
0	1108	1108	1108	1108	1108	
5	1106	1108	1110	1113	1115	106
15	1089	1100	1120	1140	1154	318
25	1047	1075	1129	1188	1221	523
35	939	996	1076	1188	1214	669
45	633	726	763	880	891	601
55	378	413	426	496	502	401
65	214	230	230	261	249	239
75	84	95	96	112	114	110
85	16	20	19	26	24	26
90	0	0	0	0	0	
95	0	0	0	0	0	0
105	0	0	0	0	0	0
115	0	0	0	0	0	0
125	0	0	0	0	0	0
135	0	0	0	0	0	0
145	0	0	0	0	0	0
155	0	0	0	0	0	0
165	0	0	0	0	0	0
175	0	0	0	0	0	0
180	0	0	0	0	0	0

COEFFICIENTS OF UTILIZATION (%)													
Pc---	80				70				50				0
Pw---	70	50	30	10	70	50	30	50	30	10	0	0	
RCR													
0	119	119	119	119	116	116	116	111	111	111	100	100	
1	110	106	102	99	108	104	100	100	97	94	87	87	
2	101	94	88	83	99	92	87	89	84	80	74	74	
3	93	84	76	70	91	82	75	79	73	68	64	64	
4	86	75	67	60	84	73	66	71	64	59	56	56	
5	79	67	59	53	77	66	58	64	57	52	49	49	
6	73	61	52	46	71	60	52	58	51	46	43	43	
7	68	55	47	41	66	54	47	53	46	41	38	38	
8	63	51	42	37	62	50	42	49	42	37	34	34	
9	59	46	39	33	58	46	38	45	38	33	31	31	
10	56	43	35	30	54	42	35	41	35	30	28	28	

AVG LUMINANCE (cd/m <sup>2</sup> )			
	0	45	90
0	3320	3320	3320
5	3326	3340	3354
15	3379	3474	3579
25	3463	3734	4035
35	3433	3934	4439
45	2681	3234	3775
55	1977	2225	2624
65	1516	1629	1768
75	969	1116	1319
85	536	660	825

ZONAL LUMEN SUMMARY			
Zone	Lumens	%Fixture	%Lamp
0-30	947	31.6%	31.6%
0-40	1616	54.0%	54.0%
0-60	2617	87.5%	87.5%
0-90	2992	100.0%	100.0%
90-130	0	0.0%	0.0%
90-150	0	0.0%	0.0%
90-180	0	0.0%	0.0%
0-180	2992	100.0%	100.0%



\*Photometric data shown is for 3000lm, 2700K, 80 CRI configuration.

Electrical		
Voltage (VDC)	Power (W)	Current (A)
48-54	27.7	0.494



# SilkSpace recessed w/tunable white

2'x2', 1'x4' & 2'x4'

## Photometrics

1'x4'

Spacing Criteria: 1.38/1.61

(Click "PDF" and "IES" text to Download)

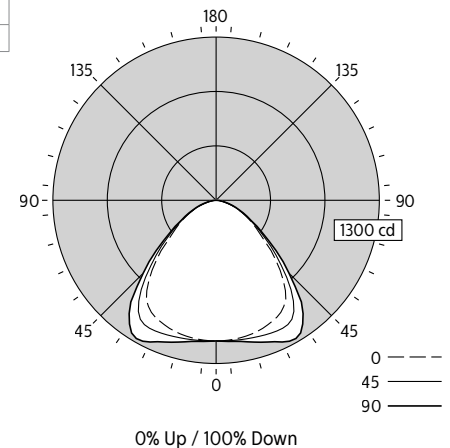
Lumen Package	Nominal CRI & CCT	Flux (lm)	Power (W)	Efficacy (LPW)	CRI	R9	RP1-VDT	Photometry Report	IES File
4000lm	80CRI, 2700K	4012	38.5	104.1	81	4	N/A	PDF	IES
	80CRI, 3000K	4014	37.7	106.4	84	14	N/A		
	80CRI, 3500K	4017	36.8	109.0	86	21	N/A		
	80CRI, 4000K	4019	36.2	111.1	87	24	N/A		
	80CRI, 5000K	4022	35.2	114.4	86	19	N/A		
	80CRI, 6500K	4024	34.3	117.3	84	7	N/A		
3000lm	80CRI, 2700K	2985	27.9	106.9	81	5	Normal spaces	PDF	IES
	80CRI, 3000K	2988	27.5	108.7	84	14	Normal spaces		
	80CRI, 3500K	2992	27.0	110.7	86	22	Normal spaces		
	80CRI, 4000K	2995	26.7	112.3	87	25	Normal spaces		
	80CRI, 5000K	2999	26.1	114.8	86	20	Normal spaces		
	80CRI, 6500K	3002	25.7	117.0	84	7	Normal spaces		
1700lm	80CRI, 2700K	1695	15.8	107.3	82	5	Critical spaces	PDF	IES
	80CRI, 3000K	1698	15.7	108.4	84	15	Critical spaces		
	80CRI, 3500K	1701	15.5	109.7	86	23	Critical spaces		
	80CRI, 4000K	1703	15.4	110.7	87	26	Critical spaces		
	80CRI, 5000K	1707	15.2	112.2	86	20	Critical spaces		
	80CRI, 6500K	1710	15.1	113.5	84	7	Critical spaces		

CANDELA DISTRIBUTION						Flux
	0	22.5	45	67.5	90	Lumens
0	1121	1121	1121	1121	1121	
5	1118	1120	1123	1125	1128	107
15	1102	1112	1133	1155	1169	322
25	1062	1091	1148	1212	1246	532
35	968	1012	1080	1193	1203	673
45	671	725	734	841	821	588
55	392	413	423	461	448	390
65	222	236	230	246	238	235
75	91	105	100	112	105	112
85	16	22	21	25	23	26
90	0	0	0	0	0	
95	0	0	0	0	0	0
105	0	0	0	0	0	0
115	0	0	0	0	0	0
125	0	0	0	0	0	0
135	0	0	0	0	0	0
145	0	0	0	0	0	0
155	0	0	0	0	0	0
165	0	0	0	0	0	0
175	0	0	0	0	0	0
180	0	0	0	0	0	

COEFFICIENTS OF UTILIZATION (%)													
Pc---	80				70				50				0
Pw---	70	50	30	10	70	50	30	50	30	10	0	0	
RCR	0	119	119	119	119	116	116	116	111	111	111	100	
	1	110	106	102	99	108	104	100	100	97	94	87	
	2	101	94	88	83	99	92	87	89	84	80	75	
	3	93	84	76	70	91	82	75	79	73	69	64	
	4	86	75	67	61	84	74	66	71	65	59	56	
	5	79	67	59	53	77	66	59	64	57	52	49	
	6	74	61	53	47	72	60	52	58	51	46	43	
	7	68	56	47	41	67	55	47	53	46	41	39	
	8	64	51	43	37	62	50	42	49	42	37	35	
	9	60	47	39	33	58	46	39	45	38	33	31	
	10	56	43	35	30	55	43	35	42	35	30	28	

AVG LUMINANCE (cd/m²)			
	0	45	90
0	3474	3474	3474
5	3480	3495	3511
15	3536	3636	3753
25	3632	3927	4260
35	3664	4087	4552
45	2940	3219	3600
55	2120	2287	2419
65	1628	1689	1746
75	1089	1197	1258
85	576	758	822

ZONAL LUMEN SUMMARY			
Zone	Lumens	%Fixture	%Lamp
0-30	961	32.2%	32.2%
0-40	1634	54.7%	54.7%
0-60	2612	87.5%	87.5%
0-90	2985	100.0%	100.0%
90-130	0	0.0%	0.0%
90-150	0	0.0%	0.0%
90-180	0	0.0%	0.0%
0-180	2985	100.0%	100.0%



\*Photometric data shown is for 3000lm, 2700K, 80 CRI configuration.

Electrical		
Voltage (VDC)	Power (W)	Current (A)
48-54	27.9	0.499

# SilkSpace recessed w/tunable white

2'x2', 1'x4' & 2'x4'

## Photometrics

2'x4'

Spacing Criteria: 1.38/1.67

(Click "PDF" and "IES" text to Download)

Lumen Package	Nominal CRI & CCT	Flux (lm)	Power (W)	Efficacy (LPW)	CRI	R9	RP1-VDT	Photometry Report	IES File
5200lm	80CRI, 2700K	5381	48.2	111.5	81	3	N/A	PDF	IES
	80CRI, 3000K	5400	46.8	115.4	84	13	N/A		
	80CRI, 3500K	5420	45.2	120.0	86	21	N/A		
	80CRI, 4000K	5436	44.0	123.7	86	23	N/A		
	80CRI, 5000K	5459	42.1	129.6	85	17	N/A		
	80CRI, 6500K	5479	40.6	135.0	83	6	N/A		
4000lm	80CRI, 2700K	3999	33.4	119.7	81	4	N/A	PDF	IES
	80CRI, 3000K	3997	32.8	121.9	84	13	N/A		
	80CRI, 3500K	3996	32.1	124.4	86	21	N/A		
	80CRI, 4000K	3995	31.6	126.4	86	24	N/A		
	80CRI, 5000K	3993	30.8	129.5	85	17	N/A		
	80CRI, 6500K	3991	30.2	132.2	83	6	N/A		

CANDELA DISTRIBUTION						Flux
	0	22.5	45	67.5	90	Lumens
0	1484	1484	1484	1484	1484	
5	1481	1485	1488	1492	1495	142
15	1459	1475	1502	1532	1544	426
25	1407	1442	1511	1589	1630	700
35	1271	1332	1434	1585	1628	895
45	898	945	1012	1173	1183	800
55	525	558	577	648	636	533
65	298	316	313	342	330	320
75	123	139	133	153	144	149
85	20	28	25	34	29	33
90	0	0	0	0	0	
95	0	0	0	0	0	0
105	0	0	0	0	0	0
115	0	0	0	0	0	0
125	0	0	0	0	0	0
135	0	0	0	0	0	0
145	0	0	0	0	0	0
155	0	0	0	0	0	0
165	0	0	0	0	0	0
175	0	0	0	0	0	0
180	0	0	0	0	0	

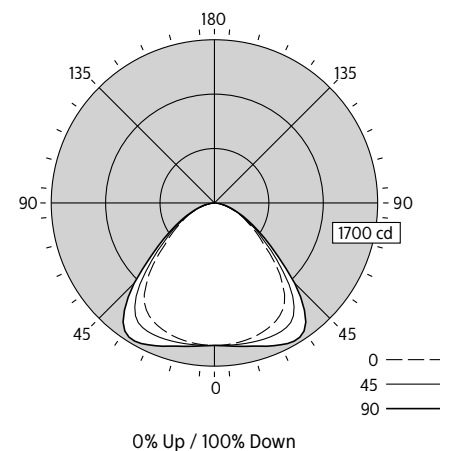
\*Photometric data shown is for 4000lm, 2700K, 80 CRI configuration.

COEFFICIENTS OF UTILIZATION (%)													
Pc---	80				70				50				0
Pw---	70	50	30	10	70	50	30	50	30	10	0	0	
RCR	0	119	119	119	119	116	116	116	111	111	111	100	
	1	110	106	102	99	108	104	100	100	97	94	87	
	2	101	94	88	83	99	92	87	89	84	80	74	
	3	93	84	76	70	91	82	75	79	73	68	64	
	4	86	75	67	60	84	73	66	71	64	59	56	
	5	79	67	59	53	77	66	58	64	57	52	49	
	6	73	61	52	46	72	60	52	58	51	46	43	
	7	68	55	47	41	66	55	47	53	46	41	38	
	8	63	51	42	37	62	50	42	49	42	37	34	
	9	59	46	39	33	58	46	38	45	38	33	31	
	10	56	43	35	30	54	42	35	41	35	30	28	

ZONAL LUMEN SUMMARY			
Zone	Lumens	%Fixture	%Lamp
0-30	1268	31.7%	31.7%
0-40	2164	54.1%	54.1%
0-60	3497	87.4%	87.4%
0-90	3999	100.0%	100.0%
90-130	0	0.0%	0.0%
90-150	0	0.0%	0.0%
90-180	0	0.0%	0.0%
0-180	3999	100.0%	100.0%

Electrical		
Voltage (VDC)	Power (W)	Current (A)
48-54	33.4	0.596

AVG LUMINANCE (cd/m²)			
	0	45	90
0	2166	2166	2166
5	2171	2181	2190
15	2206	2270	2333
25	2266	2434	2626
35	2264	2556	2901
45	1854	2088	2442
55	1337	1467	1619
65	1028	1080	1138
75	695	751	810
85	340	419	479



The information presented in this document is not intended as any commercial offer and does not form part of any quotation or contract.

