



A family of uniformly luminous fixtures, **Shine** recessed delivers outstanding performance for superior energy savings. Available in a wide variety of sizes, Shine is a highly efficient and economical solution for any energy challenged recessed lighting project.

Project: \_\_\_\_\_  
 Location: \_\_\_\_\_  
 Cat.No: \_\_\_\_\_  
 Type: \_\_\_\_\_  
 Line ID: \_\_\_\_\_ Qty: \_\_\_\_\_  
 Notes: \_\_\_\_\_

Ordering guide

example: 3322D1STL83540A7DE

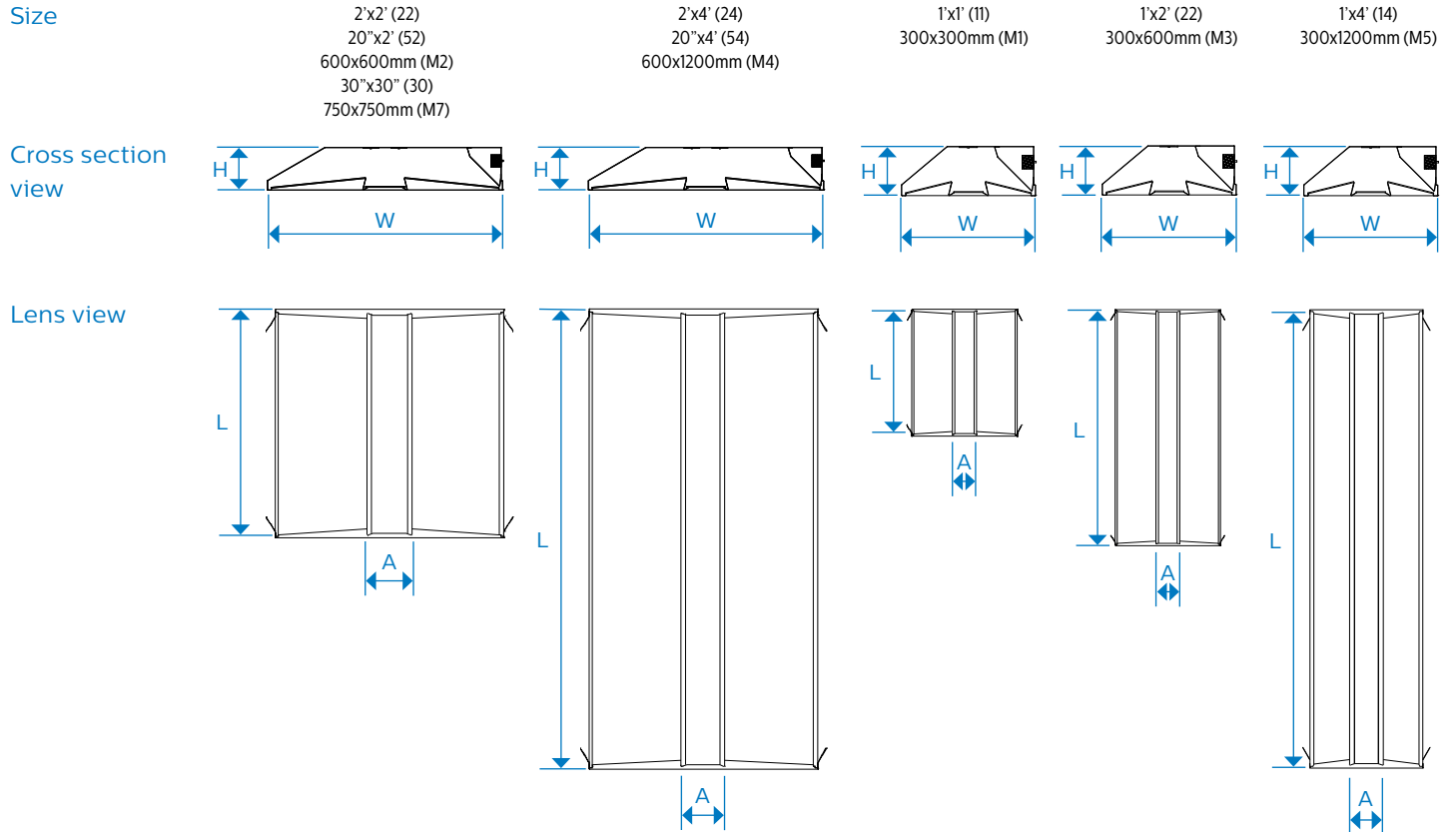
Family	Size <sup>4</sup>	Version	Configuration	Source	CRI/CCT <sup>1</sup>	Lumens <sup>1</sup>	Optics	Wiring <sup>3</sup>	Voltage <sup>3</sup>	Driver <sup>3,8</sup>	Option <sup>4,5</sup>	System/Controls											
<b>33</b>			<b>ST</b>	<b>L</b>			<b>A</b>																
33 Shine	<b>24</b> 2'x4' <sup>2</sup> <b>54</b> 20"x4' <sup>2,6</sup> <b>M4</b> 600x1200mm <sup>2,6</sup>	<b>D1</b> Standard T-Grid <b>C1</b> Standard T-Grid + Chicago Plenum <b>A1</b> Standard T-Grid + Air Return <sup>7</sup>	ST Standalone	L LED	850 80 CRI/5000K	80 8000lm <sup>2</sup>	A Acrylic Silk Lens	7 1cct Dimming N 1cct Dimming + Battery Pack <sup>9</sup>	D UNV 120-277V 3 347V <sup>9</sup>	E Advance 0-10V (1% Dim) H Lutron EcoSystem LDE1 (<1% Dim, Fade-to-Black) <sup>8</sup>	N No Option D Drywall Trim Kit P Flex Whip (6') S Solid Filler Panel (Set of 2) A Air Return Filler Panel (Set of 2)												
					840 80 CRI/4000K	75 7500lm <sup>2</sup>																	
					835 80 CRI/3500K	70 7000lm																	
					830 80 CRI/3000K	65 6500lm																	
					827 80 CRI/2700K	60 6000lm																	
					820 80 CRI/2700K	60 6000lm																	
					815 80 CRI/2700K	55 5500lm																	
					810 80 CRI/2700K	50 5000lm																	
					805 80 CRI/2700K	45 4500lm																	
					800 80 CRI/2700K	40 4000lm																	
	<b>30</b> 30"x30" <sup>6</sup> <b>M7</b> 750x750mm <sup>6</sup>					60 6000lm <sup>6</sup>																	
						55 5500lm <sup>6</sup>																	
						50 5000lm <sup>6</sup>																	
						45 4500lm <sup>6</sup>																	
						40 4000lm <sup>6</sup>																	
						35 3500lm <sup>6</sup>																	
						30 3000lm <sup>6</sup>																	
						<b>22</b> 2'x2' <b>14</b> 1'x4' <sup>2,7</sup> <b>52</b> 20"x2' <sup>6</sup> <b>M2</b> 600x600mm <sup>6</sup> <b>M5</b> 300x1200mm <sup>2,6,7</sup>											50 5000lm <sup>2</sup>						
																	45 4500lm						
																	40 4000lm						
35 3500lm																							
30 3000lm																							
<b>12</b> 1'x2' <sup>6,7</sup> <b>M3</b> 300x600mm <sup>6,7</sup>					30 3000lm <sup>6</sup>																		
					25 2500lm <sup>6</sup>																		
					20 2000lm <sup>6</sup>																		
<b>11</b> 1'x1' <sup>6,7,9</sup> <b>M1</b> 300x300mm <sup>6,7,9</sup>					25 2500lm <sup>6</sup>																		
					20 2000lm <sup>6</sup>																		
					15 1500lm <sup>6</sup>																		
					10 1000lm <sup>6</sup>																		
										S Advance Sensor Ready (5% Dim)	NN No Option SZ SpaceWise DT Daylight & Occupancy IP Interact Pro												

1. Nominal values within a range. Consult photometry data for CRI, CCT, lumens & distribution of chosen configuration  
 2. Size / lumen package combination not available in 90 CRI.  
 3. Not all wiring types are available with all configurations. Consult Ledalite for a complete list of available options.  
 4. Filler Panels only available with the 20"x4" size to accommodate a 20"x60" grid system. Drywall Trim Kit only available with 2'x4', 2'x2' & 1'x4' sizes.  
 5. Flex whips are installed, Drywall Trim Kit and Filler Panels ship separately.  
 6. Option is qualified as Engineered-to-Order (ETO) ready. Lead times and minimum order quantities may vary, please consult factory.  
 7. Air Return is not available in 1'x or 300mmx sizes.  
 8. 1'x1' & 300x300mm sizes only available with driver option E, Advance 0-10V (1% Dim). SpaceWise and Interact Pro not available in 1'x1' or 300x300mm sizes.  
 9. Battery Pack not available with 347V or in 1'x1' or 300x300mm sizes.

# Shine recessed

## Imperial & Metric sizes

### Dimensions



Size	W	L	H	A
2'x2' (22)	23.75" [603mm]	23.66" [602mm]	4.375" [110mm]	4.500" [114mm]
20"x2" (52)	19.78" [502mm]	23.66" [602mm]	4.375" [110mm]	4.500" [114mm]
600x600mm (M2)	23.41" [595mm]	23.31" [592mm]	4.375" [110mm]	4.500" [114mm]
30"x30" (30)	Consult Factory			
750x750mm (M7)	Consult Factory			
2'x4' (24)	23.75" [603mm]	47.38" [1210mm]	4.375" [110mm]	4.500" [114mm]
20"x4" (54)	19.78" [502mm]	47.66" [1211mm]	4.375" [110mm]	4.500" [114mm]
600x1200mm (M4)	23.41" [595mm]	46.92" [1192mm]	4.375" [110mm]	4.500" [114mm]
1'x1' (11)	11.75" [298mm]	11.75" [298mm]	4.375" [110mm]	3.500" [89mm]
300x300mm (M1)	Consult Factory			
1'x2' (22)	11.75" [298mm]	23.66" [602mm]	4.375" [110mm]	3.500" [89mm]
300x600mm (M3)	Consult Factory			
1'x4' (14)	11.75" [298mm]	47.38" [1210mm]	4.375" [110mm]	3.500" [89mm]
300x1200mm (M5)	Consult Factory			

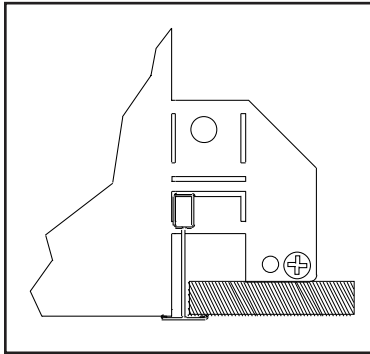
# Shine recessed

## Imperial & Metric sizes

### Mounting Details

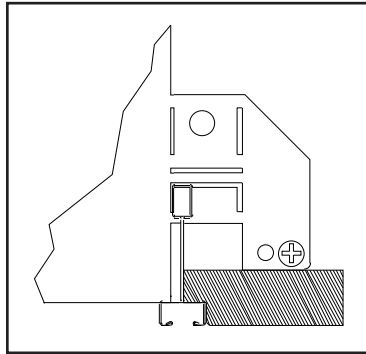
#### Flat T-Grid

Integrates with most common T-Grid types. Works with 9/16" & 15/16" flat T-Grid ceilings



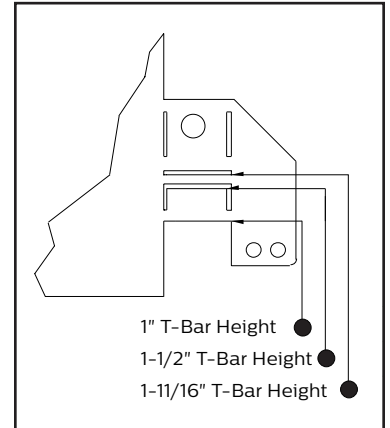
#### Slot T-Grid

Can be used with slot T-Grid ceilings. For 9/16" slot T-Grid ceilings, fixture will sit 5/16" above bottom of T-Bar.



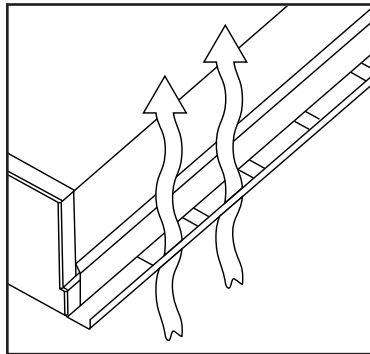
#### Ceiling Types

Integrated mounting tabs can be field-adjusted to various T-Grid ceiling heights for fastening directly to the T-Bar and/or tied off to the building structure.



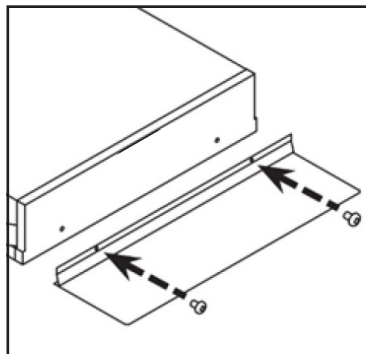
#### Air Return Vents

The air return version features slotted vents along the sides of the fixture. As a result, the installation method of the air return version may be different to the standard version, please consult the installation instruction sheet.



#### Filler Panel (20"x4' only)

Attach filler panels to ends of housing using two supplied screws shown below.



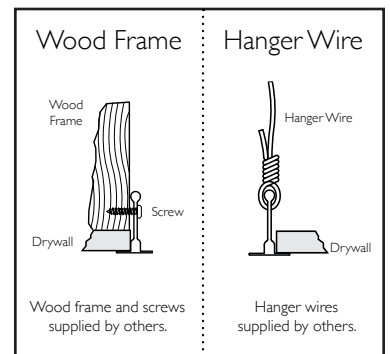
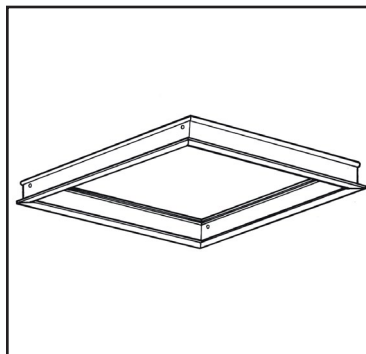
#### Drywall Trim Kit

The drywall trim kit mounting frame assembly is designed to permit use of grid (NEMA G) fixtures in drywall or ceilings requiring flanges.

Extruded aluminum construction with mitered corners. Includes screws for complete assembly. Available in 2'x2', 2'x4' & 1'x4' sizes.

More information available at:

[http://docs.ledalite.com/download/pdf/ID-Recessed\\_Drywall\\_Kits.pdf](http://docs.ledalite.com/download/pdf/ID-Recessed_Drywall_Kits.pdf)



# Shine recessed

## Imperial & Metric sizes

### Specifications

#### Optical System

Optical system consists of highly reflective powder coated interior reflectors and three flat acrylic lenses.

#### Finish

Housing and Frame: Post-painted, high quality powder coat. Available in white.

#### Housing

Die-formed, post-painted, 22 & 24 gauge cold-rolled steel. Wire entrance is positioned on the side and/or top of housing to allow easy wiring access for installation. Access to boards and drivers from below via side lens cavity. T-bar clips built into the luminaire ends for quick and easy installation. Optional perforated or solid filler panels for 20"x4' fixtures to accommodate 60" ceiling grid.

#### Weight

Maximum 40lbs (2'x4' with Battery Pack).

#### Electrical

LED boards are easily field replaceable, if required. Fixtures are factory pre-wired and tested for all circuits and backup battery packs; all leads pulled to a side access with cover plate.

#### Standalone Controls

SpaceWise DT:

Available with SpaceWise DT Daylight & Occupancy sensing with advanced grouping & dwell time.

Dimming with compatible Zigbee wireless wall switches.

[www.usa.lighting.philips.com/systems/lighting-systems/spacewise](http://www.usa.lighting.philips.com/systems/lighting-systems/spacewise)

#### Connected Systems

Interact Pro:

A wireless IoT connected lighting solution for small and medium-sized businesses. Commissioning via Android or iOS mobile device and Interact Pro app. Compatible Zigbee Green Power wall dimmer and wireless Occupancy or Daylight & Occupancy sensors available. Open APIs for light control and data exchange.

[www.interact-lighting.com/pro](http://www.interact-lighting.com/pro)

#### Standard Drivers

Advance Xitanium 0-10V, 1% Dimming

Advance Sensor Ready, 5% Dimming

Lutron EcoSystem LDE1, 1% Dimming with Soft-On and Fade-to-Black

Class 2 rated output.

Consult Ledalite for other available drivers.

#### Standard Battery Pack

Bodine, 90 min, 10W, Class 2 rated output, Emergency lumen output = 10W x luminaire efficacy x 1.1. Typical output: 1300lm.

#### Lumen Maintenance

LEDs have been tested by the manufacturer in accordance with IESNA LM-80-08. At an ambient temperature of 25°C, the LED lumen maintenance expectation according to IES TM-21-11 is: L80 (10k) >60,000 hrs (Reported methodology).

#### Source Color

LEDs rated for color rendering of:

CRI >80 & R9 >0

CRI >90 & R9>50

Fixture to fixture color accuracy within 2 SDCM.

#### Mounting

Compatible with 9/16" & 15/16" lay-in acoustical ceilings using exposed grid suspension (NEMA type G). For 9/16" slot T-grid ceilings, fixture will sit 5/16" above bottom of Tee. Integrated tabs are provided for different T-grid heights. Optional drywall kit trim mount can be fastened to a wood frame or installed with hangar wire.

#### Wiring

Optional armored cable flex whips are supplied in 6' lengths.

#### Approvals

Certified to UL & CSA Standards. City of Chicago Approved CCEA (housing option C). Certain versions without battery packs are DesignLights Consortium® qualified. Please see the DLC QPL list for exact catalog numbers.

[www.designlights.org/QPL](http://www.designlights.org/QPL)

#### Warranty

Five-year luminaire limited warranty including LED boards and driver.

[www.signify.com/warranties](http://www.signify.com/warranties)

#### Environment

Type IC, rated for dry & damp locations in ambient operating temperatures of 25°C. Many luminaire components, such as reflectors, refractors, lenses, and LEDs are made from various types of plastics which can be adversely affected by airborne contaminants. If sulfur based chemicals, petroleum based products, cleaning solutions, or other contaminants are expected in the intended area of use, consult factory for compatibility. Damage caused by sulfur, chlorine, petroleum based solution or other contaminants are not covered under warranty.

#### QuickShip

10-day QuickShip available for most configurations upon request. More information available at:

[www.signify.com/en-us/brands/ledalite/about-us/quickship](http://www.signify.com/en-us/brands/ledalite/about-us/quickship)

# Shine recessed

## Imperial & Metric sizes

### Photometrics - 2'x2' (22)

Spacing Criteria: 1.18/1.22

(Click "PDF", "IES" and "RFA" text to Download)

Lumens	Nominal CRI & CCT	Flux (lm)	Watts (W)	Efficacy (LPW)	CRI	R9	UGR <sup>1</sup>	Photometry Report	IES File	Revit/BIM
5000lm	80CRI, 5000K	4988	41.2	121.1	82	13	21.1	PDF	IES	RFA
	80CRI, 4000K	5034	41.2	122.2	82	10		PDF	IES	
	80CRI, 3500K	4925	41.2	119.5	82	9		PDF	IES	
	80CRI, 3000K	4792	41.2	116.3	83	11		PDF	IES	
	80CRI, 2700K	4532	41.2	110.0	82	6		PDF	IES	
4500lm	90CRI, 3500K	4860	54.0	90.0	92	77	20.7	PDF	IES	RFA
	80CRI, 5000K	4496	37.6	119.6	82	13		PDF	IES	
	80CRI, 4000K	4538	37.6	120.7	82	10		PDF	IES	
	80CRI, 3500K	4439	37.6	118.1	82	9		PDF	IES	
	80CRI, 3000K	4320	37.6	114.9	83	11		PDF	IES	
4000lm	80CRI, 2700K	4168	37.6	110.9	82	6	20.3	PDF	IES	RFA
	90CRI, 3500K	4377	47.4	92.3	92	77		PDF	IES	
	80CRI, 5000K	4012	32.5	123.4	82	13		PDF	IES	
	80CRI, 4000K	4049	32.5	124.6	82	10		PDF	IES	
	80CRI, 3500K	3961	32.5	121.9	82	9		PDF	IES	
3500lm	80CRI, 3000K	3854	32.5	118.6	83	11	19.8	PDF	IES	RFA
	80CRI, 2700K	3719	32.5	114.4	82	6		PDF	IES	
	90CRI, 3500K	3899	41.6	93.7	92	77		PDF	IES	
	80CRI, 5000K	3493	28.1	124.3	82	13		PDF	IES	
	80CRI, 4000K	3526	28.1	125.5	82	10		PDF	IES	
3000lm	80CRI, 3500K	3449	28.1	122.7	82	9	19.3	PDF	IES	RFA
	80CRI, 3000K	3356	28.1	119.4	83	11		PDF	IES	
	80CRI, 2700K	3238	28.1	115.2	82	6		PDF	IES	
	90CRI, 3500K	3376	34.9	96.7	92	77		PDF	IES	
	80CRI, 5000K	2965	23.8	124.6	82	13		PDF	IES	
2500lm	80CRI, 4000K	2993	23.8	125.8	82	10	18.6	PDF	IES	RFA
	80CRI, 3500K	2927	23.8	123.0	82	9		PDF	IES	
	80CRI, 3000K	2849	23.8	119.7	83	11		PDF	IES	
	80CRI, 2700K	2749	23.8	115.5	82	6		PDF	IES	
	90CRI, 3500K	2911	29.6	98.3	92	77		PDF	IES	
2000lm	80CRI, 5000K	2474	19.2	128.9	82	13	18.6	PDF	IES	RFA
	80CRI, 4000K	2497	19.2	130.1	82	10		PDF	IES	
	80CRI, 3500K	2443	19.2	127.2	82	9		PDF	IES	
	80CRI, 3000K	2377	19.2	123.8	83	11		PDF	IES	
	80CRI, 2700K	2294	19.1	120.1	82	6		PDF	IES	
	90CRI, 3500K	2425	24.3	99.8	92	77	PDF	IES		

1. UGR given at 3500K, based on 4Hx8Hx0.25H. UGR can be calculated at other CCTs by importing the ies file into lighting design software.

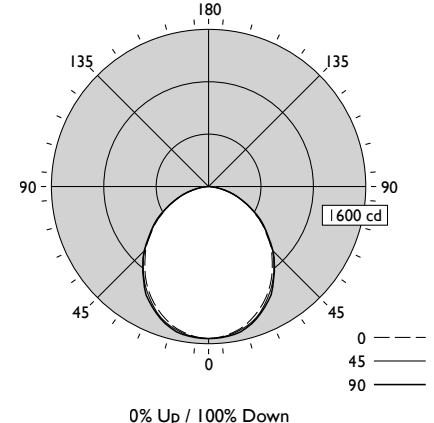
CANDELA DISTRIBUTION						Flux
	0	22.5	45	67.5	90	Lumens
0	1548	1548	1548	1548	1548	
5	1535	1539	1539	1545	1543	146
15	1458	1471	1475	1500	1490	417
25	1312	1347	1337	1369	1354	620
35	1121	1163	1147	1168	1153	722
45	906	936	925	946	926	715
55	665	686	674	695	680	609
65	433	444	435	453	434	437
75	211	225	216	230	220	236
85	44	53	45	50	41	58
90	0	0	0	0	0	
95	0	0	0	0	0	
105	0	0	0	0	0	
115	0	0	0	0	0	
125	0	0	0	0	0	
135	0	0	0	0	0	
145	0	0	0	0	0	
155	0	0	0	0	0	
165	0	0	0	0	0	
175	0	0	0	0	0	
180	0	0	0	0	0	

COEFFICIENTS OF UTILIZATION (%)													
Pc---	80				70				50				0
Pw---	70	50	30	10	70	50	30	50	30	10	0	0	
RCR													
0	119	119	119	119	116	116	116	111	111	111	100		
1	109	105	101	97	107	102	99	98	95	92	85		
2	100	92	85	80	97	90	84	86	81	77	71		
3	91	81	73	67	89	79	72	76	70	65	61		
4	84	72	63	57	81	71	63	68	61	56	52		
5	77	64	56	49	75	63	55	61	54	48	45		
6	71	58	49	43	69	57	49	55	48	43	40		
7	66	53	44	38	64	52	44	51	43	38	35		
8	62	48	40	34	60	48	40	46	39	34	32		
9	58	44	36	31	56	44	36	43	36	31	29		
10	54	41	33	28	53	41	33	40	33	28	26		

ZONAL LUMEN SUMMARY			
Zone	Lumens	%Fixture	%Lamp
0-30	1184	29.9%	29.9%
0-40	1906	48.1%	48.1%
0-60	3229	81.5%	81.5%
0-90	3961	100.0%	100.0%
90-130	0	0.0%	0.0%
90-150	0	0.0%	0.0%
90-180	0	0.0%	0.0%
0-180	3961	100.0%	100.0%

AVG LUMINANCE (cd/m <sup>2</sup> )			
	0	45	90
0	4590	4590	4590
5	4567	4581	4592
15	4475	4529	4572
25	4291	4373	4429
35	4057	4150	4174
45	3798	3878	3882
55	3437	3483	3517
65	3034	3053	3043
75	2413	2479	2520
85	1493	1524	1405

Electrical				
Voltage	Power (W)	Current (A)	THD (%)	Power Factor
120V	32.5	0.273	7.6	0.995
277V	32.5	0.123	8.8	0.956
347V	33.2	0.099	7.3	0.965



\*Photometric data shown is for 4000lm, 3500K, 80 CRI configuration.

# Shine recessed

## Imperial & Metric sizes

### Photometrics - 2'x4' (24)

Spacing Criteria: 1.19/1.21

(Click "PDF", "IES" and "RFA" text to Download)

Lumens	Nominal CRI & CCT	Flux (lm)	Watts (W)	Efficacy (LPW)	CRI	R9	UGR <sup>1</sup>	Photometry Report	IES File	Revit/BIM
8000lm	80CRI, 5000K	8017	63.0	127.3	82	13		PDF	IES	RFA
	80CRI, 4000K	8119	62.5	129.9	82	10		PDF	IES	
	80CRI, 3500K	7942	62.5	127.1	82	9	20.5	PDF	IES	
	80CRI, 3000K	7728	62.5	123.6	83	11		PDF	IES	
	80CRI, 2700K	7457	62.5	119.3	82	6		PDF	IES	
7500lm	80CRI, 5000K	7567	58.6	129.1	82	13		PDF	IES	RFA
	80CRI, 4000K	7637	58.6	130.3	82	10		PDF	IES	
	80CRI, 3500K	7471	58.6	127.5	82	9	20.3	PDF	IES	
	80CRI, 3000K	7270	58.6	124.1	83	11		PDF	IES	
	80CRI, 2700K	7014	58.6	119.7	82	6		PDF	IES	
7000lm	80CRI, 5000K	7059	54.2	130.2	82	13		PDF	IES	RFA
	80CRI, 4000K	7125	54.2	131.5	82	10		PDF	IES	
	80CRI, 3500K	6970	54.2	128.6	82	9	20.1	PDF	IES	
	80CRI, 3000K	6782	54.2	125.1	83	11		PDF	IES	
	80CRI, 2700K	6544	54.2	120.7	82	6		PDF	IES	
6500lm	90CRI, 3500K	7064	69.3	101.9	94	76		PDF	IES	RFA
	80CRI, 5000K	6531	49.5	131.9	82	13		PDF	IES	
	80CRI, 4000K	6591	49.5	133.2	82	10		PDF	IES	
	80CRI, 3500K	6448	49.5	130.3	82	9	19.8	PDF	IES	
	80CRI, 3000K	6274	49.5	126.7	83	11		PDF	IES	
6000lm	80CRI, 2700K	6054	49.5	122.3	82	6		PDF	IES	RFA
	90CRI, 3500K	6546	64.2	102.0	94	76		PDF	IES	
	80CRI, 5000K	6044	45.4	133.1	82	13		PDF	IES	
	80CRI, 4000K	6100	45.4	134.4	82	10		PDF	IES	
	80CRI, 3500K	5967	45.4	131.4	82	9	19.5	PDF	IES	
5500lm	80CRI, 3000K	5807	45.4	127.9	83	11		PDF	IES	RFA
	80CRI, 2700K	5603	45.4	123.4	82	6		PDF	IES	
	90CRI, 3500K	6025	58.2	103.5	94	76		PDF	IES	
	80CRI, 5000K	5541	41.3	134.2	82	13		PDF	IES	
	80CRI, 4000K	5592	41.3	135.4	82	10		PDF	IES	
5000lm	80CRI, 3500K	5471	41.3	132.5	82	9	19.2	PDF	IES	RFA
	80CRI, 3000K	5323	41.3	128.9	83	11		PDF	IES	
	80CRI, 2700K	5136	41.3	124.4	82	6		PDF	IES	
	90CRI, 3500K	5526	52.6	105.1	94	76		PDF	IES	
	80CRI, 5000K	5049	37.2	135.7	82	13		PDF	IES	
4500lm	80CRI, 4000K	5096	37.2	137.0	82	10		PDF	IES	RFA
	80CRI, 3500K	4986	37.2	134.0	82	9	18.9	PDF	IES	
	80CRI, 3000K	4851	37.2	130.4	83	11		PDF	IES	
	80CRI, 2700K	4681	37.2	125.8	82	6		PDF	IES	
	90CRI, 3500K	5027	47.2	106.5	94	76		PDF	IES	
4000lm	80CRI, 5000K	4525	33.3	135.9	82	13		PDF	IES	RFA
	80CRI, 4000K	4567	33.3	137.1	82	10		PDF	IES	
	80CRI, 3500K	4468	33.3	134.2	82	9	18.5	PDF	IES	
	80CRI, 3000K	4347	33.3	130.5	83	11		PDF	IES	
	80CRI, 2700K	4195	33.3	126.0	82	6		PDF	IES	
4000lm	90CRI, 3500K	4526	42.0	107.8	94	76		PDF	IES	RFA
	80CRI, 5000K	4026	29.5	136.5	82	13		PDF	IES	
	80CRI, 4000K	4064	29.5	137.8	82	10		PDF	IES	
	80CRI, 3500K	3975	29.5	134.7	82	9	18.1	PDF	IES	
	80CRI, 3000K	3868	29.5	131.1	83	11		PDF	IES	
4000lm	80CRI, 2700K	3732	29.5	126.5	82	6		PDF	IES	RFA
	90CRI, 3500K	4010	37.2	107.8	94	76		PDF	IES	

1. UGR given at 3500K, based on 4Hx8Hx0.25H. UGR can be calculated at other CCTs by importing the ies file into lighting design software.

# Shine recessed

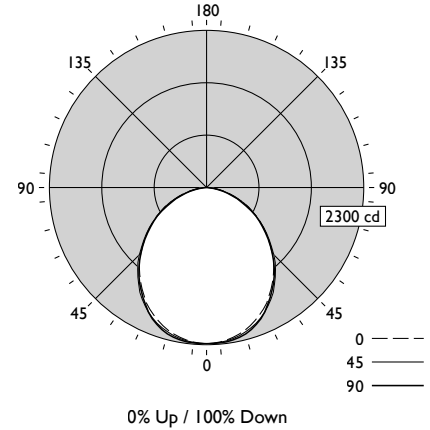
## Imperial & Metric sizes

### Photometrics - 2'x4' (24) continued

CANDELA DISTRIBUTION						Flux
	0	22.5	45	67.5	90	Lumens
0	2285	2285	2285	2285	2285	
5	2268	2273	2275	2281	2282	216
15	2164	2181	2188	2224	2217	619
25	1965	2005	2013	2033	2012	925
35	1684	1756	1731	1747	1709	1083
45	1359	1413	1392	1403	1359	1074
55	1010	1064	1023	1054	999	924
65	679	713	676	675	636	671
75	348	368	329	341	314	364
85	82	88	64	74	50	91
90	0	0	0	0	0	0
95	0	0	0	0	0	0
105	0	0	0	0	0	0
115	0	0	0	0	0	0
125	0	0	0	0	0	0
135	0	0	0	0	0	0
145	0	0	0	0	0	0
155	0	0	0	0	0	0
165	0	0	0	0	0	0
175	0	0	0	0	0	0
180	0	0	0	0	0	0

COEFFICIENTS OF UTILIZATION (%)													
PC---	80				70				50				0
Pw---	70	50	30	10	70	50	30	50	30	10	10	0	
RCR													
0	119	119	119	119	116	116	116	111	111	111	100		
1	109	105	100	97	106	102	99	98	95	92	85		
2	100	92	85	79	97	90	84	86	81	77	71		
3	91	81	73	66	89	79	72	76	70	65	60		
4	83	72	63	57	81	70	62	68	61	55	52		
5	77	64	55	49	75	63	55	61	54	48	45		
6	71	58	49	43	69	57	49	55	48	42	39		
7	66	53	44	38	64	52	44	50	43	38	35		
8	61	48	40	34	60	47	39	46	39	34	31		
9	57	44	36	31	56	44	36	42	35	30	28		
10	54	41	33	28	53	40	33	39	32	28	26		

Electrical				
Voltage	Power (W)	Current (A)	THD (%)	Power Factor
120V	45.4	0.380	6.9	0.996
277V	45.2	0.171	9.3	0.953
347V	44.9	0.132	6.7	0.976



ZONAL LUMEN SUMMARY			
Zone	Lumens	%Fixture	%Lamp
0-30	1761	29.5%	29.5%
0-40	2844	47.7%	47.7%
0-60	4842	81.1%	81.1%
0-90	5967	100.0%	100.0%
90-130	0	0.0%	0.0%
90-150	0	0.0%	0.0%
90-180	0	0.0%	0.0%
0-180	5967	100.0%	100.0%

AVG LUMINANCE (cd/m²)			
	0	45	90
0	3301	3301	3301
5	3289	3298	3308
15	3236	3273	3315
25	3132	3208	3206
35	2969	3053	3013
45	2777	2843	2776
55	2545	2576	2515
65	2320	2310	2174
75	1942	1835	1752
85	1357	1062	822

\*Photometric data shown is for 6000lm, 3500K, 80 CRI configuration.

### Photometrics - 1'x4' (14)

Spacing Criteria: 1.18/1.11

(Click "PDF", "IES" and "RFA" text to Download)

Lumens	Nominal CRI & CCT	Flux (lm)	Watts (W)	Efficacy (LPW)	CRI	R9	UGR <sup>1</sup>	Photometry Report	IES File	Revit/BIM
5000lm	80CRI, 5000K	5063	47.1	107.5	82	13		PDF	IES	RFA
	80CRI, 4000K	5110	47.1	108.5	82	10		PDF	IES	
	80CRI, 3500K	4999	47.1	106.1	82	9	21.5	PDF	IES	
	80CRI, 3000K	4865	47.1	103.3	83	11		PDF	IES	
	80CRI, 2700K	4694	47.1	99.7	82	5		PDF	IES	
4500lm	80CRI, 5000K	4601	41.6	110.6	82	13		PDF	IES	RFA
	80CRI, 4000K	4644	41.6	111.6	82	10		PDF	IES	
	80CRI, 3500K	4543	41.6	109.2	82	9	21.2	PDF	IES	
	80CRI, 3000K	4421	41.6	106.3	83	11		PDF	IES	
	80CRI, 2700K	4265	41.6	102.5	82	6		PDF	IES	
4000lm	90CRI, 3500K	4419	53.1	83.2	92	77		PDF	IES	RFA
	80CRI, 5000K	4103	36.4	112.7	82	13		PDF	IES	
	80CRI, 4000K	4141	36.4	113.8	82	10		PDF	IES	
	80CRI, 3500K	4051	36.4	111.3	82	9	20.8	PDF	IES	
	80CRI, 3000K	3942	36.4	108.3	83	11		PDF	IES	
3500lm	80CRI, 2700K	3803	36.4	104.5	82	6		PDF	IES	RFA
	90CRI, 3500K	3938	46.2	85.2	92	77		PDF	IES	
	80CRI, 5000K	3559	31.1	114.4	82	13		PDF	IES	
	80CRI, 4000K	3592	31.1	115.5	82	10		PDF	IES	
	80CRI, 3500K	3514	31.1	113.0	82	9	20.3	PDF	IES	
3000lm	80CRI, 3000K	3420	31.1	110.0	83	11		PDF	IES	RFA
	80CRI, 2700K	3300	31.1	106.1	82	6		PDF	IES	
	90CRI, 3500K	3446	39.3	87.7	92	77		PDF	IES	
	80CRI, 5000K	3089	26.7	115.7	82	13		PDF	IES	
	80CRI, 4000K	3118	26.7	116.8	82	10		PDF	IES	
2500lm	80CRI, 3500K	3050	26.7	114.2	82	9	19.8	PDF	IES	RFA
	80CRI, 3000K	2968	26.7	111.2	83	11		PDF	IES	
	80CRI, 2700K	2864	26.7	107.3	82	6		PDF	IES	
	90CRI, 3500K	2956	32.9	89.8	92	77		PDF	IES	
	80CRI, 5000K	2549	22.5	113.3	82	13		PDF	IES	
2500lm	80CRI, 4000K	2573	22.5	114.4	82	10		PDF	IES	RFA
	80CRI, 3500K	2517	22.5	111.9	82	9	19.1	PDF	IES	
	80CRI, 3000K	2449	22.5	108.8	83	11		PDF	IES	
	80CRI, 2700K	2363	22.5	105.0	82	6		PDF	IES	
	90CRI, 3500K	2461	27.0	91.1	92	77		PDF	IES	

1. UGR given at 3500K, based on 4Hx8Hx0.25H. UGR can be calculated at other CCTs by importing the ies file into lighting design software.

# Shine recessed

## Imperial & Metric sizes

### Photometrics - 1'x4' (14) continued

CANDELA DISTRIBUTION						Flux
	0	22.5	45	67.5	90	Lumens
0	1713	1713	1713	1713	1713	
5	1698	1701	1695	1698	1695	161
15	1610	1619	1601	1606	1598	453
25	1450	1465	1420	1410	1379	658
35	1237	1255	1190	1167	1127	749
45	978	995	931	892	874	725
55	739	737	671	656	613	612
65	479	478	425	399	365	427
75	246	247	196	169	155	217
85	56	56	33	34	27	50
90	0	0	0	0	0	
95	0	0	0	0	0	0
105	0	0	0	0	0	0
115	0	0	0	0	0	0
125	0	0	0	0	0	0
135	0	0	0	0	0	0
145	0	0	0	0	0	0
155	0	0	0	0	0	0
165	0	0	0	0	0	0
175	0	0	0	0	0	0
180	0	0	0	0	0	0

\*Photometric data shown is for 4000lm, 3500K, 80 CRI configuration.

COEFFICIENTS OF UTILIZATION (%)													
PC---	80				70				50				0
Pw---	70	50	30	10	70	50	30	50	30	10	0	0	
RCR													
0	119	119	119	119	116	116	116	111	111	111	100		
1	110	105	101	97	107	103	99	99	99	96	93	85	
2	100	92	86	81	98	91	85	87	82	78	72		
3	92	82	74	68	89	80	73	77	71	66	62		
4	84	73	64	58	82	72	64	69	62	57	53		
5	78	65	57	50	76	64	56	62	55	50	46		
6	72	59	50	44	70	58	50	56	49	44	41		
7	67	54	45	39	65	53	45	51	44	39	36		
8	62	49	41	35	61	49	41	47	40	35	33		
9	58	45	37	32	57	45	37	44	37	32	30		
10	55	42	34	29	54	41	34	40	34	29	27		

ZONAL LUMEN SUMMARY			
Zone	Lumens	%Fixture	%Lamp
0-30	1271	31.4%	31.4%
0-40	2020	49.9%	49.9%
0-60	3357	82.9%	82.9%
0-90	4051	100.0%	100.0%
90-130	0	0.0%	0.0%
90-150	0	0.0%	0.0%
90-180	0	0.0%	0.0%
0-180	4051	100.0%	100.0%

AVG LUMINANCE (cd/m <sup>2</sup> )			
	0	45	90
0	5192	5192	5192
5	5167	5159	5159
15	5053	5026	5015
25	4851	4751	4614
35	4578	4403	4171
45	4194	3991	3748
55	3904	3546	3240
65	3434	3045	2617
75	2885	2298	1817
85	1955	1131	922

Electrical				
Voltage	Power (W)	Current (A)	THD (%)	Power Factor
120V	36.4	0.304	6.6	0.997
277V	36.3	0.136	8.6	0.966
347V	37.1	0.110	6.6	0.971

