

Ledalite **ArcForm** recessed LED is a highly efficacious fully luminous fixture with brilliant color rendering and an innovative 3D symmetrical batwing lighting distribution. It delivers pure white light—free of glare, color shifts, hot spots or striations.

Project: \_\_\_\_\_  
 Location: \_\_\_\_\_  
 Cat.No: \_\_\_\_\_  
 Type: \_\_\_\_\_  
 Line ID: \_\_\_\_\_ Qty: \_\_\_\_\_  
 Notes: \_\_\_\_\_

Ordering guide – Standard

example: 3622D1STLB36S7DE

Family	Size	Version	Configuration	Source	CRI/CCT <sup>1</sup>	Lumens <sup>1</sup>	Housing	Wiring <sup>2</sup>	Voltage	Driver <sup>2,3</sup>	Option
<b>36</b>				<b>L</b>							
<b>36</b> ArcForm	<b>22</b> 2'x2'	<b>D1</b> Standard T-Grid	<b>ST</b> Standalone <b>CR</b> Continuous Row	<b>L</b> LED	<b>A</b> 80CRI/4000K	<b>30</b> 3000lm	<b>S</b> Standard <b>C</b> Chicago Plenum	<b>7</b> 1cct Dimming <b>N</b> 1cct Dimming + Battery Pack <b>T</b> 1cct Step Dimming	<b>D</b> UNV 120-277V <b>3</b> 347V	<b>E</b> Advance 0-10V (1% Dim) <b>H</b> Lutron EcoSystem LDE1 (1% Dim)	<b>P</b> Flex Whip (6') <b>D</b> Drywall Trim Kit  If no option is required, leave blank
		<b>D2</b> Slot T-Grid			<b>B</b> 80CRI/3500K	<b>36</b> 3600lm					
	<b>14</b> 1'x4'	<b>D1</b> Standard T-Grid <b>D2</b> Slot T-Grid			<b>C</b> 80CRI/3000K	<b>44</b> 4400lm					

1. Nominal values within a range. Consult photometry data for CRI, color temp, lumens & distribution of chosen configuration.  
 2. Not all wiring types are available with all configurations. Consult Ledalite for a complete list of available options.  
 3. Lutron EcoSystem Drivers are not available in 347V.

# ArcForm recessed

## 2'x2' & 1'x4'

### Ordering guide – Connected systems

example: 3622D1STL236S7LPNIO

Family	Size	Version	Configuration	Source	CRI/CCT <sup>1</sup>	Lumens <sup>1</sup>	Housing	Wiring <sup>2</sup>
<b>36</b>				<b>L</b>				
<b>36</b> ArcForm	<b>22</b> 2'x2'	<b>D1</b> Standard T-Grid <b>D2</b> Slot T-Grid <b>A1</b> Air Return on Standard T-Grid <b>A2</b> Air Return on Slot T-Grid	<b>ST</b> Standalone <b>CR</b> Continuous Row	<b>L</b> LED	<b>2</b> 2-channel Tunable White 80CRI/2700-6500K	<b>30</b> 3000lm <b>36</b> 3600lm <b>44</b> 4400lm	<b>S</b> Standard <b>C</b> Chicago Plenum	<b>7</b> 1cct Dimming <b>N</b> 1cct Dimming + Battery Pack
	<b>14</b> 1'x4'	<b>D1</b> Standard T-Grid <b>D2</b> Slot T-Grid						
Voltage		Driver	Option	System/Controls <sup>2</sup>				
<b>L</b> Low Voltage (48-54V DC)		<b>P</b> PoE Lighting Controller	<b>D</b> Drywall Trim Kit <b>N</b> No Option	<b>IO</b> Interact Office Wired (PoE) with Daylight and Occupancy				

Note: Options with the same color coding must be paired together.

- Nominal values within a range. Consult photometry data for CRI, color temp, lumens & distribution of chosen configuration.
- Not all wiring types or sensors are available with all configurations. Consult Ledalite for a complete list of available options.

### Connected systems

#### Interact Office Wired (PoE), Tunable White

- PoE based IoT connected lighting solution for large enterprises that span across multiple floors, buildings and require multiple gateways.
- Use Interact Office software and insights to increase building efficiency, achieve building wide integration and optimize space through occupancy analytics.
- Human centric lighting through tunable white technology - Dynamic behaviors via scheduled lighting recipes mimicking daylight patterns or supporting biorhythms.
- Supports advanced IoT Apps on Personal Control, Space Management, wayfinding, room/desk reservation and offers open APIs for light control and data exchange.

[www.interact-lighting.com/office](http://www.interact-lighting.com/office) or [www.usa.lighting.philips.com/systems/system-areas/offices](http://www.usa.lighting.philips.com/systems/system-areas/offices)

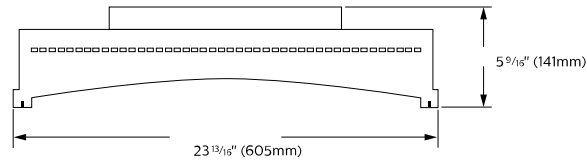
Note: Signify Interact Office Luminaires are not sold individually and are only compatible with Signify's Interact Office control system & software. The system requires a compatible back-end IT infrastructure for normal operations, please consult your Signify representative for additional information.

# ArcForm recessed

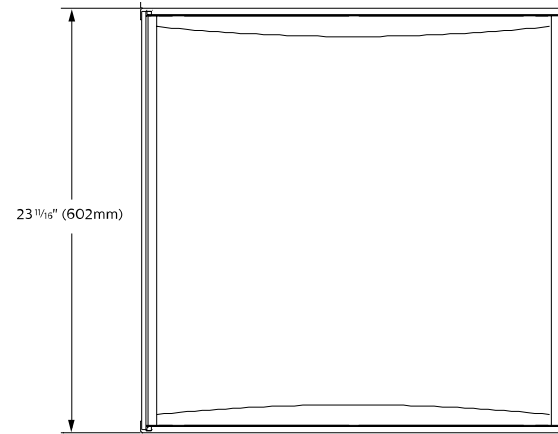
2'x2' & 1'x4'

## Cross Section View

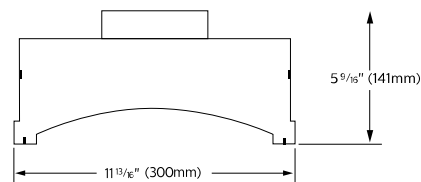
2'x2'



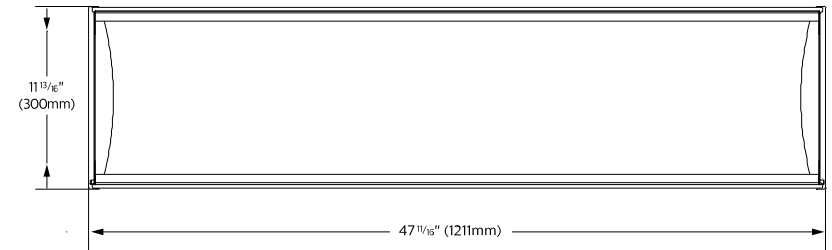
Lens View



1'x4'

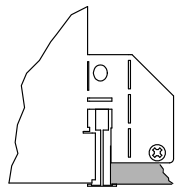


Lens View



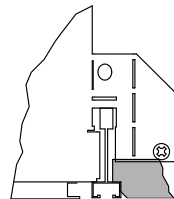
## Cross Section View – Mounting Details

Standard T-Grid



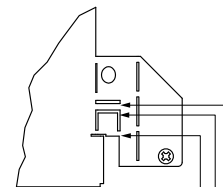
Option D1 works with 9/16" flat T-Grid ceilings. It can also be used with slot T-Grid ceilings. For 9/16" slot T-Grid ceilings, fixture will sit 5/16" above bottom of T-Bar.

Slot T-Grid



Option D2 is designed to sit flush with slot T-Grid ceilings and some tegular tile ceiling types.

Ceiling Types



Integrated mounting tabs can be field-adjusted to various T-Grid ceiling heights for fastening directly to the T-Bar and/or tied off to the building structure.

- 1" T-Bar Height
- 1-1/2" T-Bar Height
- 1-11/16" T-Bar Height

# ArcForm recessed

## 2'x2' & 1'x4'

### Specifications

#### Optical System

A curved, fully luminous acrylic panel with a protected layer of MesoOptics film efficiently generates a controlled, low glare, 3-dimensional batwing distribution. Die-formed, cold-rolled steel ends are assembled together with extruded aluminum side profiles to form a sturdy optical frame. The frame is hinged to allow easy access to the inside of the fixture. Maintenance can be performed from below the ceiling.

#### Housing

Die-formed, post-painted, 22 gauge cold-rolled steel housing. Multiple wire entrances are available (top or side) to allow continuous row mounting of fixtures. Optional frame restraint is available to provide additional safety support.

#### Mounting

Compatible with lay-in acoustical ceilings using an exposed 9/16", 15/16" or slot T-grid suspension system (NEMA types G, NFG & NFGS). Integral mounting tabs are provided which handle different T-grid heights.

#### Finish

Housing and Frame: Post-painted, high quality powder coat. Available in white only.

#### Weight

Maximum 25lb.

#### Electrical

LED boards are easily field replaceable. Fixtures are factory pre-wired and tested for all circuits. Driver access from below the ceiling. Optional armored cable flex whips are supplied in 6' lengths.

#### Standard Driver

Advance Xitanium 0-10V, 1% dimming.

PoE Lighting Controller (for PoE tunable white).

Lutron EcoSystem LDE1, 1% dimming with Soft-on, Fade-to-Black.

Class 2 rated output. Consult Ledalite for other available drivers.

#### Standard Battery Packs

Bodine Battery Pack, 90 min, 10W, Class 2 rated output.

Lumen output = 10W x luminaire efficacy x 1.1. Typical output 1100lm.

PoE Battery Pack, 90 min, 6W, Class 2 rated output.

Lumen output = 6W x luminaire efficacy. Typical output 650lm.

#### Lumen Maintenance

LEDs have been tested by the manufacturer in accordance with IESNA LM-80-08. At an ambient temperature of 25°C, the LED lumen maintenance expectation according to IES TM-21-11 is: L80 (10k) >60,000 hrs (Reported methodology).

#### Source Color

LEDs rated for color rendering of:  
CRI >80 & R9 >0  
CRI >90 & R9>50

Fixture to fixture color accuracy within:  
2 SDCM for Static White luminaires  
3 SDCM for Tunable White luminaires

#### Controls

Available with the following integrated controls: Response daylight sensor (for single zone).

#### Approvals

Certified to UL, IES & CSA Standards. City of Chicago Approved CCEA (housing option C). Type IC Rated. Certain versions without battery packs are DesignLights Consortium® qualified. Please see the DLC QPL list for exact catalog numbers, [www.designlights.org/QPL](http://www.designlights.org/QPL).

#### QuickShip

Available for most non-connected configurations upon request. More information available at: [www.signify.com/en-us/brands/ledalite/quickship](http://www.signify.com/en-us/brands/ledalite/quickship)

#### Warranty

Five-year luminaire limited warranty including LED boards and driver. [www.signify.com/warranties](http://www.signify.com/warranties).

#### Environment

Rated for dry or damp locations in operating ambient temperatures of 0-25°C (32-77°F). Many luminaire components, such as reflectors, refractors, lenses, and LEDs are made from various types of plastics which can be adversely affected by airborne contaminants. If sulfur based chemicals, petroleum based products, cleaning solutions, or other contaminants are expected in the intended area of use, consult factory for compatibility. Damage caused by sulfur, chlorine, petroleum based solution or other contaminants are not covered under warranty. Not suitable for natatorium environments.

# ArcForm recessed

## 2'x2' & 1'x4'

### Photometrics

2'x2'

Spacing Criteria: 1.76/1.81

(Click "PDF" and "IES" text to Download)

Lumen Package	Nominal CRI & CCT	Flux (lm)	Watts (W)	Efficacy (LPW)	CRI	R9	RP-1 VDT	DLC*	Photometry Report	IES File
3000lm	80CRI, 3000K	2849	27.9	102.1	82	2	Normal spaces	Standard	<a href="#">PDF</a>	<a href="#">IES</a>
	80CRI, 3500K	2900	27.8	104.3	82	4	Normal spaces	Standard	<a href="#">PDF</a>	<a href="#">IES</a>
	80CRI, 4000K	3003	27.8	108.0	83	5	Normal spaces	Standard	<a href="#">PDF</a>	<a href="#">IES</a>
3600lm	80CRI, 3000K	3563	34.8	102.4	82	2	Normal spaces	Standard	<a href="#">PDF</a>	<a href="#">IES</a>
	80CRI, 3500K	3628	34.7	104.6	82	4	Normal spaces	Standard	<a href="#">PDF</a>	<a href="#">IES</a>
	80CRI, 4000K	3756	34.7	108.2	83	5	N/A	Standard	<a href="#">PDF</a>	<a href="#">IES</a>
4400lm	80CRI, 3000K	4277	41.5	103.1	82	2	N/A	Standard	<a href="#">PDF</a>	<a href="#">IES</a>
	80CRI, 3500K	4353	41.4	105.1	82	4	N/A	Standard	<a href="#">PDF</a>	<a href="#">IES</a>
	80CRI, 4000K	4507	41.4	108.9	83	5	N/A	Standard	<a href="#">PDF</a>	<a href="#">IES</a>

\*Battery Packs are not available on DLC.

CANDELA DISTRIBUTION						Flux
	0	22.5	45	67.5	90	Lumens
0	802	802	802	802	802	
5	817	813	811	814	815	79
15	912	908	899	895	894	258
25	1084	1082	1068	1051	1044	496
35	1170	1163	1164	1171	1161	713
45	772	788	811	845	864	628
55	387	397	414	439	457	385
65	201	208	214	227	235	217
75	80	84	89	100	107	99
85	16	17	20	25	28	24
90	0	0	0	0	0	
95	0	0	0	0	0	0
105	0	0	0	0	0	0
115	0	0	0	0	0	0
125	0	0	0	0	0	0
135	0	0	0	0	0	0
145	0	0	0	0	0	0
155	0	0	0	0	0	0
165	0	0	0	0	0	0
175	0	0	0	0	0	0
180	0	0	0	0	0	

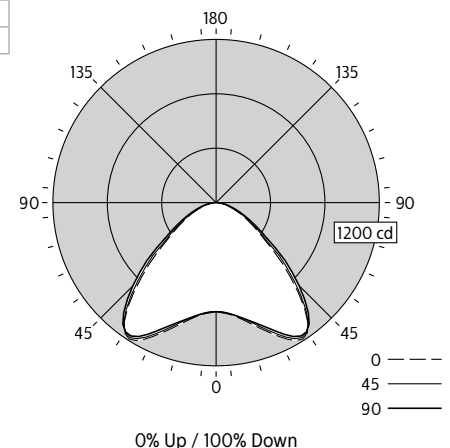
\*Photometric data shown is for 3000 lm 3500K, 80 CRI configuration.

COEFFICIENTS OF UTILIZATION (%)													
Pc---	80				70				50				0
Pw---	70	50	30	10	70	50	30	50	30	10	0	0	
RCR	0	119	119	119	119	116	116	116	111	111	111	100	
	1	110	106	102	99	108	104	100	100	97	94	87	
	2	101	94	88	83	99	92	86	89	84	80	74	
	3	93	83	76	70	91	82	75	79	73	68	64	
	4	85	74	66	60	83	73	65	71	64	59	55	
	5	79	67	58	52	77	66	58	64	57	51	48	
	6	73	60	52	45	71	59	51	57	50	45	42	
	7	67	54	46	40	66	54	46	52	45	40	37	
	8	63	50	41	36	61	49	41	48	40	35	33	
	9	58	45	37	32	57	45	37	44	37	32	30	
	10	55	42	34	29	53	41	34	40	33	29	27	

ZONAL LUMEN SUMMARY			
Zone	Lumens	%Fixture	%Lamp
0-30	833	28.7%	28.7%
0-40	1546	53.3%	53.3%
0-60	2559	88.3%	88.3%
0-90	2900	100.0%	100.0%
90-130	0	0.0%	0.0%
90-150	0	0.0%	0.0%
90-180	0	0.0%	0.0%
0-180	2900	100.0%	100.0%

Electrical				
Voltage (V)	Power (W)	Current (A)	THD (%)	Power factor
120	27.8	0.242	11.0	0.956
277	27.9	0.101	7.5	0.995
347	N/A	N/A	N/A	N/A

AVG LUMINANCE (cd/m²)			
	0	45	90
0	2578	2578	2578
5	2635	2615	2629
15	3033	2990	2973
25	3843	3786	3702
35	4589	4566	4554
45	3509	3685	3925
55	2170	2317	2559
65	1531	1623	1787
75	992	1110	1330
85	575	745	1025



# ArcForm recessed

## 2'x2' & 1'x4'

### Photometrics

1'x4'

Spacing Criteria: 1.22/1.76

(Click "PDF" and "IES" text to Download)

Lumen Package	Nominal CRI & CCT	Flux (lm)	Watts (W)	Efficacy (LPW)	CRI	R9	RP-1 VDT	DLC*	Photometry Report	IES File
3000lm	80CRI, 3000K	2775	27.8	99.8	82	3	Normal spaces	Standard	<a href="#">PDF</a>	<a href="#">IES</a>
	80CRI, 3500K	2954	27.9	105.9	83	4	Normal spaces	Standard	<a href="#">PDF</a>	<a href="#">IES</a>
	80CRI, 4000K	3036	27.8	109.2	83	6	Normal spaces	Standard	<a href="#">PDF</a>	<a href="#">IES</a>
3600lm	80CRI, 3000K	3482	34.8	100.1	82	3	N/A	Standard	<a href="#">PDF</a>	<a href="#">IES</a>
	80CRI, 3500K	3707	34.9	106.2	83	4	N/A	Standard	<a href="#">PDF</a>	<a href="#">IES</a>
	80CRI, 4000K	3811	34.8	109.5	83	6	N/A	Standard	<a href="#">PDF</a>	<a href="#">IES</a>
4400lm	80CRI, 3000K	4173	41.4	100.8	82	3	N/A	Standard	<a href="#">PDF</a>	<a href="#">IES</a>
	80CRI, 3500K	4442	41.5	107.0	83	4	N/A	Standard	<a href="#">PDF</a>	<a href="#">IES</a>
	80CRI, 4000K	4567	41.4	110.3	83	6	N/A	Standard	<a href="#">PDF</a>	<a href="#">IES</a>

\*Battery Packs are not available on DLC.

CANDELA DISTRIBUTION						Flux
	0	22.5	45	67.5	90	Lumens
0	1009	1009	1009	1009	1009	
5	999	1003	1009	1016	1018	96
15	962	980	1016	1048	1059	287
25	886	935	1033	1114	1141	475
35	750	871	1086	1237	1279	651
45	507	650	872	997	1025	629
55	318	357	463	563	572	417
65	189	199	246	283	288	243
75	89	97	122	138	139	125
85	14	24	27	24	25	30
90	0	0	0	0	0	
95	0	0	0	0	0	0
105	0	0	0	0	0	0
115	0	0	0	0	0	0
125	0	0	0	0	0	0
135	0	0	0	0	0	0
145	0	0	0	0	0	0
155	0	0	0	0	0	0
165	0	0	0	0	0	0
175	0	0	0	0	0	0
180	0	0	0	0	0	

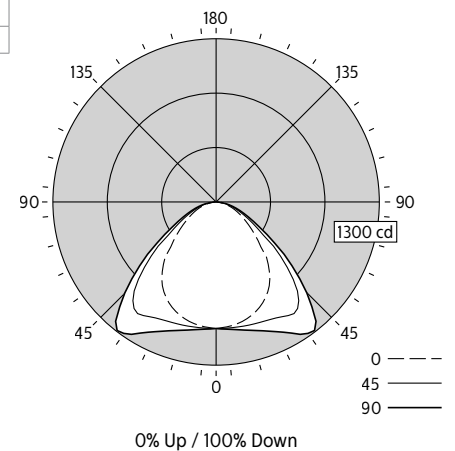
\*Photometric data shown is for 3000 lm 3500K, 80 CRI configuration.

COEFFICIENTS OF UTILIZATION (%)													
Pc---	80				70				50				0
Pw---	70	50	30	10	70	50	30	50	30	10	10	0	
RCR	0	119	119	119	119	116	116	116	111	111	111	100	
1	110	106	102	98	107	103	100	99	96	94	86		
2	101	93	87	82	98	91	86	88	83	79	73		
3	92	83	75	69	90	81	74	78	72	67	63		
4	85	74	65	59	83	72	65	70	63	58	54		
5	78	66	58	51	76	65	57	63	56	50	47		
6	72	60	51	45	71	59	51	57	50	44	42		
7	67	54	46	40	65	53	45	52	45	39	37		
8	62	49	41	35	61	49	41	47	40	35	33		
9	58	45	37	32	57	45	37	43	36	32	29		
10	55	42	34	29	53	41	34	40	33	29	27		

ZONAL LUMEN SUMMARY			
Zone	Lumens	%Fixture	%Lamp
0-30	859	29.1%	29.1%
0-40	1510	51.1%	51.1%
0-60	2556	86.5%	86.5%
0-90	2954	100.0%	100.0%
90-130	0	0.0%	0.0%
90-150	0	0.0%	0.0%
90-180	0	0.0%	0.0%
0-180	2954	100.0%	100.0%

Electrical				
Voltage (V)	Power (W)	Current (A)	THD (%)	Power factor
120	27.9	0.243	11.0	0.956
277	28.0	0.102	7.5	0.995
347	N/A	N/A	N/A	N/A

AVG LUMINANCE (cd/m²)			
	0	45	90
0	3489	3489	3489
5	3470	3505	3534
15	3447	3640	3792
25	3380	3942	4354
35	3167	4587	5401
45	2482	4264	5013
55	1918	2792	3450
65	1549	2011	2360
75	1186	1624	1862
85	572	1060	988



# ArcForm recessed w/tunable white

## 2'x2' & 1'x4'

### Photometrics

2'x2'

Spacing Criteria: 1.76/1.81

(Click "PDF" and "IES" text to Download)

Lumen Package	Nominal CRI & CCT	Flux (lm)	Power (W)	Efficacy (LPW)	CRI	R9	RP-1 VDT	Photometry Report	IES File
3000lm	80CRI, 2700K	3000	30.5	98.4	82	16	Normal spaces	PDF	IES
	80CRI, 3000K	2996	30.0	99.8	84	24	Normal spaces		
	80CRI, 3500K	2991	29.5	101.4	86	30	Normal spaces		
	80CRI, 4000K	2988	29.1	102.7	86	32	Normal spaces		
	80CRI, 5000K	2982	28.4	104.9	85	25	Normal spaces		
	80CRI, 6500K	2976	27.8	107.1	82	6	Normal spaces		
3600lm	80CRI, 2700K	3596	37.1	97.0	82	16	Normal spaces	PDF	IES
	80CRI, 3000K	3593	36.4	98.7	84	24	Normal spaces		
	80CRI, 3500K	3591	35.7	100.7	86	30	Normal spaces		
	80CRI, 4000K	3588	35.0	102.4	86	32	Normal spaces		
	80CRI, 5000K	3585	34.1	105.1	85	25	Normal spaces		
	80CRI, 6500K	3581	33.2	108.0	82	6	Normal spaces		
4400lm	80CRI, 2700K	4407	46.2	95.3	82	16	N/A	PDF	IES
	80CRI, 3000K	4406	45.2	97.5	84	23	N/A		
	80CRI, 3500K	4405	44.1	100.0	86	30	N/A		
	80CRI, 4000K	4404	43.1	102.2	86	32	N/A		
	80CRI, 5000K	4403	41.7	105.7	85	25	N/A		
	80CRI, 6500K	4402	40.2	109.4	82	6	N/A		

CANDELA DISTRIBUTION						Flux
	0	22.5	45	67.5	90	Lumens
0	892	892	892	892	892	
5	914	909	913	906	908	88
15	1032	1013	1019	998	1003	290
25	1196	1182	1186	1159	1168	544
35	1158	1176	1155	1188	1171	721
45	726	787	765	830	811	607
55	404	425	424	466	461	395
65	201	224	216	240	235	226
75	81	91	91	109	107	105
85	14	20	19	28	27	26
90	0	0	0	0	0	
95	0	0	0	0	0	0
105	0	0	0	0	0	0
115	0	0	0	0	0	0
125	0	0	0	0	0	0
135	0	0	0	0	0	0
145	0	0	0	0	0	0
155	0	0	0	0	0	0
165	0	0	0	0	0	0
175	0	0	0	0	0	0
180	0	0	0	0	0	0

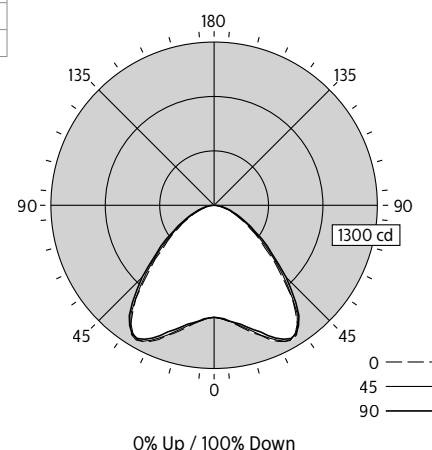
\*Photometric data shown is for 3000 lm 2700K, 80 CRI configuration.

COEFFICIENTS OF UTILIZATION (%)													
Pc---	80				70				50				0
Pw---	70	50	30	10	70	50	30	50	30	10	0	0	
RCR													
0	119	119	119	119	116	116	116	111	111	111	100		
1	110	106	102	99	108	104	100	100	97	94	87		
2	101	94	88	83	99	92	87	89	84	80	74		
3	93	84	76	70	91	82	75	79	73	69	64		
4	86	75	67	60	84	73	66	71	64	59	56		
5	79	67	59	53	77	66	58	64	57	52	49		
6	73	61	52	46	71	60	52	58	51	46	43		
7	68	55	47	41	66	54	46	53	46	40	38		
8	63	50	42	36	62	50	42	48	41	36	34		
9	59	46	38	33	58	45	38	44	37	33	30		
10	55	42	35	30	54	42	35	41	34	29	27		

ZONAL LUMEN SUMMARY			
Zone	Lumens	%Fixture	%Lamp
0-30	922	30.7%	30.7%
0-40	1642	54.7%	54.7%
0-60	2644	88.1%	88.1%
0-90	3000	100.0%	100.0%
90-130	0	0.0%	0.0%
90-150	0	0.0%	0.0%
90-180	0	0.0%	0.0%
0-180	3000	100.0%	100.0%

Electrical		
Voltage (VDC)	Power (W)	Current (A)
48-54	30.5	0.544

AVG LUMINANCE (cd/m²)			
	0	45	90
0	2867	2867	2867
5	2949	2946	2927
15	3434	3390	3335
25	4239	4205	4142
35	4543	4530	4595
45	3299	3476	3687
55	2261	2373	2580
65	1529	1644	1785
75	1004	1130	1331
85	512	708	1003



# ArcForm recessed w/tunable white

## 2'x2' & 1'x4'

### Photometrics

1'x4'

Spacing Criteria: 1.22/1.76

(Click "PDF" and "IES" text to Download)

Lumen Package	Nominal CRI & CCT	Flux (lm)	Watts (W)	Efficacy (LPW)	CRI	R9	RP-1 VDT	Photometry Report	IES File
3000lm	80CRI, 2700K	3030	30.5	99.4	82	17	N/A	PDF	IES
	80CRI, 3000K	3026	30.0	100.8	85	24	N/A		
	80CRI, 3500K	3021	29.5	102.4	86	31	N/A		
	80CRI, 4000K	3018	29.1	103.8	87	33	N/A		
	80CRI, 5000K	3012	28.4	105.9	85	25	N/A		
3600lm	80CRI, 2700K	3632	37.1	98.0	82	16	N/A	PDF	IES
	80CRI, 3000K	3629	36.4	99.7	85	24	N/A		
	80CRI, 3500K	3627	35.7	101.7	86	31	N/A		
	80CRI, 4000K	3624	35.0	103.5	86	33	N/A		
	80CRI, 5000K	3621	34.1	106.2	85	25	N/A		
4400lm	80CRI, 2700K	4451	46.2	96.3	82	16	N/A	PDF	IES
	80CRI, 3000K	4450	45.2	98.4	85	24	N/A		
	80CRI, 3500K	4449	44.1	101.0	86	30	N/A		
	80CRI, 4000K	4448	43.1	103.2	86	32	N/A		
	80CRI, 5000K	4447	41.7	106.7	85	25	N/A		
	80CRI, 6500K	4446	40.2	110.5	82	7	N/A		

CANDELA DISTRIBUTION					Flux	
	0	22.5	45	67.5	90	Lumens
0	1077	1077	1077	1077	1077	
5	1069	1073	1079	1084	1085	103
15	1022	1046	1083	1118	1137	307
25	927	993	1098	1185	1232	504
35	768	904	1110	1268	1323	667
45	528	667	822	983	992	619
55	336	380	467	559	541	417
65	200	215	246	293	302	250
75	95	101	125	147	134	129
85	14	25	31	32	22	32
90	0	0	0	0	0	
95	0	0	0	0	0	0
105	0	0	0	0	0	0
115	0	0	0	0	0	0
125	0	0	0	0	0	0
135	0	0	0	0	0	0
145	0	0	0	0	0	0
155	0	0	0	0	0	0
165	0	0	0	0	0	0
175	0	0	0	0	0	0
180	0	0	0	0	0	

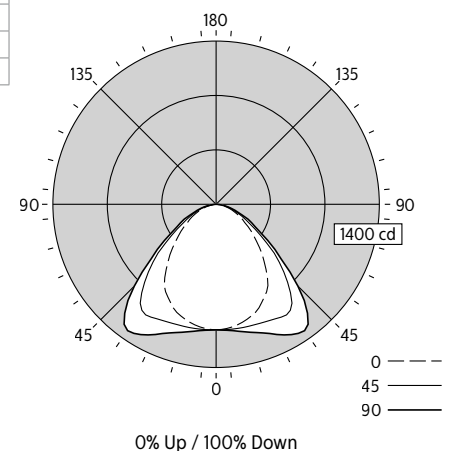
\*Photometric data shown is for 3000 lm 2700K, 80 CRI configuration.

COEFFICIENTS OF UTILIZATION (%)													
Pc---	80				70				50				0
Pw---	70	50	30	10	70	50	30	10	50	30	10	0	
RCR													
0	119	119	119	119	116	116	116	111	111	111	100		
1	110	106	102	98	107	103	100	99	96	94	86		
2	101	93	87	82	98	92	86	88	83	79	74		
3	93	83	75	69	90	81	74	78	72	68	63		
4	85	74	66	59	83	73	65	70	64	58	55		
5	79	66	58	52	77	65	57	63	56	51	48		
6	73	60	51	45	71	59	51	57	50	45	42		
7	67	54	46	40	66	54	46	52	45	40	37		
8	63	50	42	36	61	49	41	48	41	36	33		
9	59	46	38	32	57	45	37	44	37	32	30		
10	55	42	34	29	54	42	34	41	34	29	27		

ZONAL LUMEN SUMMARY			
Zone	Lumens	%Fixture	%Lamp
0-30	914	30.2%	30.2%
0-40	1581	52.2%	52.2%
0-60	2618	86.4%	86.4%
0-90	3028	100.0%	100.0%
90-130	0	0.0%	0.0%
90-150	0	0.0%	0.0%
90-180	0	0.0%	0.0%
0-180	3028	100.0%	100.0%

Electrical		
Voltage (VDC)	Power (W)	Current (A)
48-54	30.5	0.544

AVG LUMINANCE (cd/m <sup>2</sup> )			
	0	45	90
0	3715	3715	3715
5	3703	3736	3757
15	3650	3869	4060
25	3530	4181	4692
35	3234	4675	5574
45	2574	4010	4841
55	2019	2807	3254
65	1629	2010	2466
75	1265	1661	1789
85	562	1239	887



The information presented in this document is not intended as any commercial offer and does not form part of any quotation or contract.

