

# LaYR 2.0 ROUND PENDANT PERFORMANCE Series



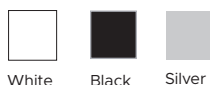
Image Above Shown With Performance Black Deep Milli-Groove Baffle, Black Upper & Lower Housing Finish, and Black Accent Reveal

Image Above Shown With Performance Black Deep Milli-Groove Baffle, Silver Upper & Lower Housing Finish, and Black Accent Reveal



Image Above Shown With Performance Black Deep Smooth Baffle, Black Upper & Lower Housing Finish, and Black Accent Reveal

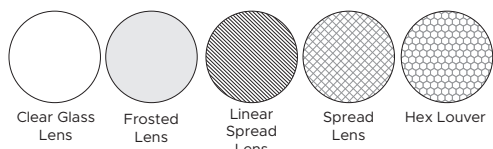
## PENDANT UPPER HOUSING FINISH, LOWER HOUSING FINISH & ACCENT REVEAL



## BAFFLE FINISHES



## ACCESSORIES



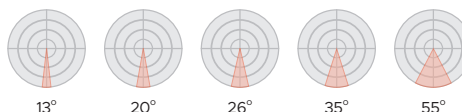
Suitable for Damp Locations.



Introducing the LaYR 2.0 Performance Round Pendant — a remarkably versatile lighting solution meticulously crafted to fulfill a wide range of needs and style preferences. With its ingenious design, this pendant offers unparalleled adaptability and customization options, including a variety of baffles and an architectural reveal, allowing you to create a truly unique lighting experience. With a sleek 2" aperture and adjustable beam spread, choose from five optic options to achieve the perfect lighting effect for any occasion. Delivering a lumen output range of 500 to 2000 lumens, this pendant ensures ample illumination for various purposes.

But that's not all—further tailor the LaYR 2.0 Round Pendant to your specific requirements and aesthetic sensibilities. Select from a range of baffles, drivers, housing lengths, and accessories to create a one-of-a-kind pendant that perfectly complements your style. Embodying versatility, adaptability, and customization, the LaYR 2.0 Round Pendant is the ultimate lighting solution for those seeking both functionality and personalization. Unleash the transformative power of tailored brilliance and elevate your space to new heights.

### 50mm Beam Optics:

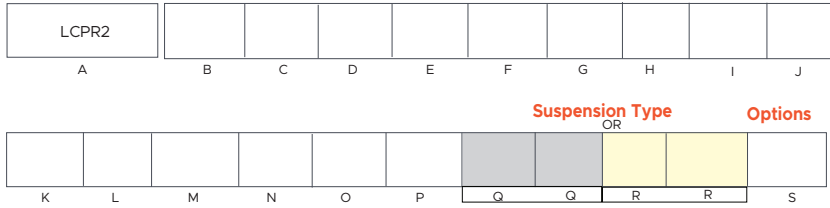


| SPECIFICATIONS         |   |
|------------------------|---|
| Lumen Output           | 500 - 2000lm  |
| Optic Size             | 50mm  |
| Beam Optics            | 13°, 20°, 26°, 35°, 55°   |
| Baffle Type            | Deep Smooth Finish (Depth 1")   |
|                        | Deep Milli-Groove (Depth 1")  |
| Baffle & Trim Finishes | White, Black, Satin Silver & Champagne                                |
| CRI -80 (2-Step)       | 35K & 40K   |
| CRI -90 (2-Step)       | 27K, 30K, 35K, 40K<br>*90 CRI Option has an R9 Value Greater than 50  |
| Accessories Options    | Hex Louver, Frosted Lens, Linear Spread Lens, Spread Lens, Clear Lens |
| Accessories Qty        | One   |
| Drivers                | 0-10V, TRIAC, ELV, Lutron Ecosystem, DALI                             |
| Dimming                | 1%, 5%, 0.1%  |
| Voltage                | 120-277 Volt  |
| Lumen Maintenance      | 80,000  |
| Power Factor           | > .95   |
| THD                    | < 20kHz   |
| Approved Location      | Dry/Damp  |
| Certifications         | UL Listed   |

Specifications may change without notice.

## Ordering Guide

### Model Sequence



NOTES:



Suitable for Damp locations.



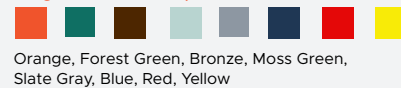
### PENDANT

| A. MODEL  | B. DISTRIBUTION                            | C. LUMINAIRE HEIGHT   | D. UPPER FINISH  | E. ACCENT REVEAL FINISH  | F. LOWER FINISH  |
|---|--|---|--|--|--|
| LCPR2 Round 2in Performance   | D Direct                                   | 5 5 inch (driver is NOT integral)<br>9 9 inch (standard)<br>12 12 inch<br>18 18 inch<br>xx Custom Height (96" Max see notes below)  | WH White<br>BK Black<br>SV Silver<br>CC Custom Color<br>RAL # required<br><b>*See BELOW for SPECIAL Finishes</b>                       | WH White<br>BK Black<br>SV Silver<br>CC Custom Color<br>RAL # required<br><b>*See BELOW for SPECIAL Finishes</b>               | WH White<br>BK Black<br>SV Silver<br>CC Custom Color<br>RAL # required<br><b>*See BELOW for SPECIAL Finishes</b> |
|   |  | <b>*See Page 3 for Associated Data</b>  |  |  |  |
|   |  | Maximum Pendant height is 50" when cord hung, greater than 50" requires stem mount.<br>Shortest overall height is 5" and driver must be remote or in Power canopy   |  |  |  |
| G. LUMEN OUTPUT   | H. BAFFLE TYPE                             | I. BEAM OPTICS  | J. BAFFLE FINISH   | K. OPTIC ACCESSORIES   |  |
| 500 500 lm, 5W<br>750 750 lm, 8W<br>1000 1000 lm, 10W<br>1250 1250 lm, 12W<br>1500 1500 lm, 15W<br>1750 1750 lm, 18W<br>2000 2000 lm, 22W   | DSF Deep, Smooth<br>DMF Deep, Milli-Groove | 13 Narrow Spot 13°<br>20 Spot 20°<br>26 Narrow Flood 26°<br>35 Flood 35°<br>55 Wide Flood 55°   | WH White<br>BK Black<br>MS Satin Silver<br>CG Champagne<br>CC Custom Color<br>RAL # required<br><b>*See BELOW for SPECIAL Finishes</b> | NN None<br>HL Hex Louver<br>CL Clear Glass<br>FG Frosted Glass<br>SG Striped Glass<br>XG Check Glass<br><br>One accessory only |  |
| - Narrow spot max is 1250 lm.<br>- 1750 lm max for dual dim.<br>- Lumen output is based on 3500K<br>80CRI refer to Light Loss Factor Table. |  |   |  |  |  |
| L. CRI & COLOR TEMP   | M. VOLTAGE                                 | N. DRIVER   | O. CANOPY TYPE   | P. CANOPY COLOR  |  |
| 835 80 CRI; 3500K<br>840 80 CRI; 4000K<br><br>927 90 CRI; 2700K<br>930 90 CRI; 3000K<br>935 90 CRI; 3500K<br>940 90 CRI; 4000K              | UNV 120-277v                               | S1 1% Dimming (0 - 10v)<br>DD Dual Dimming (Phase Cut/0 - 10v 5% Dimming)<br>SAX 1% Dim with Aux<br>PEQ Lutron, Hi-Lume Premier EcoSystem 0.1% Fade to Black<br>ELO EldoLED 0.1% Dim to Dark driver<br>DALI DALI 2.0 Compatible | FRC Flat Round Canopy<br>PRC Power Round Canopy<br>SRJ Surface Round J-Box Canopy<br>PRS Power Round Surface J-Box Canopy              | WH White<br>BK Black<br>SV Silver<br>CC Custom Color<br>RAL # required<br><br><b>*See BELOW for SPECIAL Finishes</b>           |  |
| *90 CRI Option has an R9 Value Greater than 50  |  | SAX Driver Code is required for the Athena Wireless Node  |  | FRC required if Remote Driver Selected.  |  |
| All CCT are 2 Step MacAdam Ellipse  |  |   |  |  |  |

| SUSPENSION TYPE   |  |   |  | OPTIONS  |  |
|---|--|---|--|--|--|
| Q. POWER CORD   | Q. CORD LENGTH                                   | R. STEM   | R. STEM LENGTH   | S. OPTIONS   |  |
| WF White Feed<br>BF Black Feed<br>SF Silver Feed                                    | 24 24 in<br>42 42 in<br>102 102 in<br>150 150 in | WST White Stem<br>BST Black Stem<br>SST Silver Stem<br>CST Custom Color<br>RAL # required<br><b>*See BELOW for SPECIAL Finishes</b> | 12 12 in<br>18 18 in<br>24 24 in<br>48 48 in<br>xx Custom length Specified in inches | NN NONE<br>EB Emergency Battery (6-Watt Remote Driver Only)<br>RD Remote Driver<br>SLP Slope Ceiling (Stem Mount Only)<br>AWN-R-W Lutron Athena Wireless Node (RF-only) in White<br>AWN-R-B Lutron Athena Wireless Node (RF-only) in Black |  |
| Maximum Pendant height is 50" when cord hung, greater than 50" requires stem mount. |  |   |  |  |  |

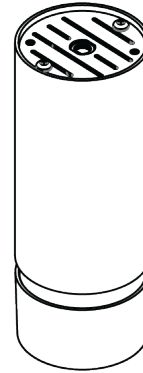
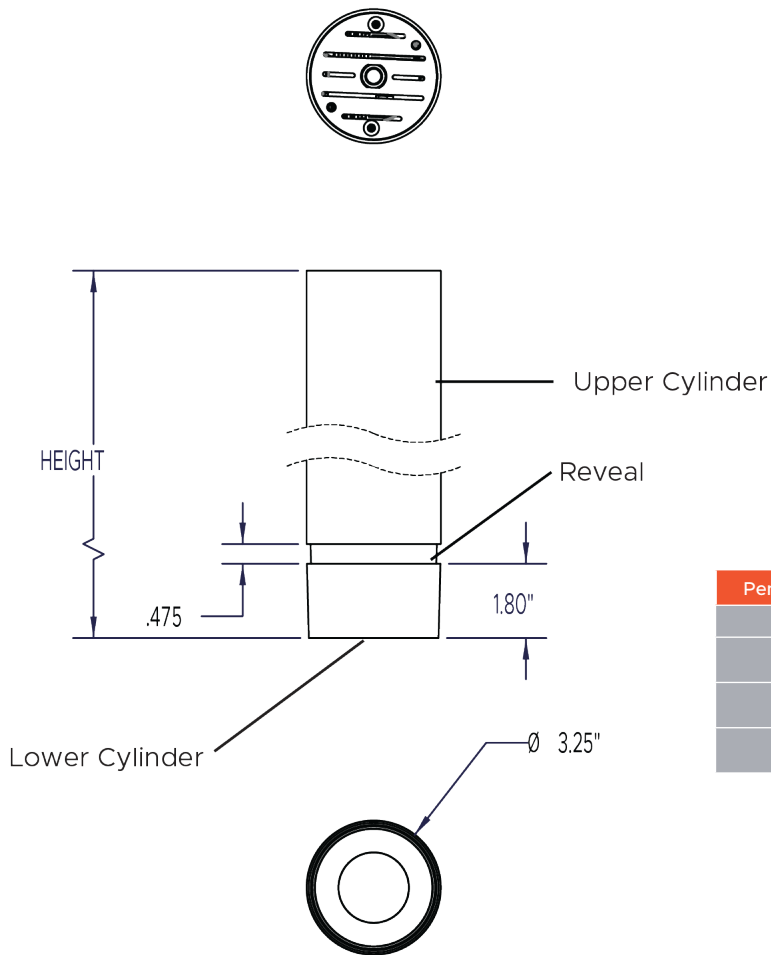
| BAFFLE/BEAM ANGLE/ MAX LUMENS CROSS REFERENCE |      |      |      |      |      |
|---|------|------|------|------|------|
| BAFFLE TYPE                                   | 13°  | 20°  | 26°  | 35°  | 55°  |
| DSF   | 1250 | 2000 | 2000 | 2000 | 2000 |
| DMF   | 1250 | 2000 | 2000 | 2000 | 2000 |

### SPECIAL FINISH COLORS



| SPECIAL FINISH COLORS      |                 |  |
|----------------------------|-----------------|--|
| Special (Longer Lead Time) |                 |  |
| LC LUX                     | MG Moss         |  |
| BZ Bronze                  | BL Blue         |  |
| SG Slate                   | RD Red          |  |
| YW Yellow                  | CC Custom Color |  |
| FG Forest Green            |                 |  |

LUMINAIRE HEIGHT DIAGRAMS

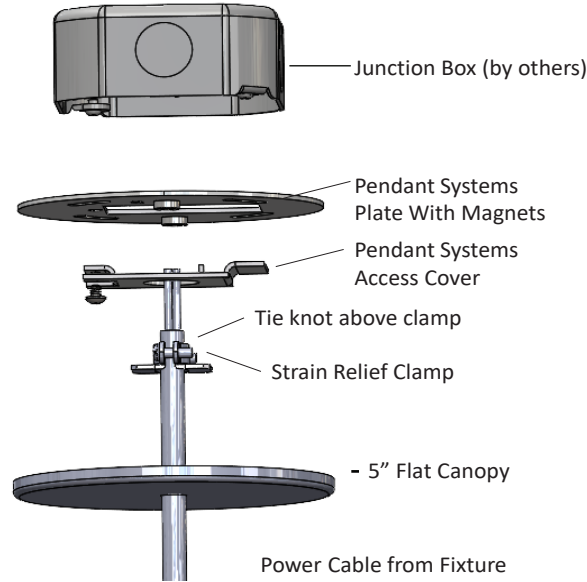


| Pendant Height | Ordering Code | Driver Mounting                   |
|----------------|---------------|-----------------------------------|
| 4.6"           | 5             | Remote or Power Canopy            |
| 8.6"           | 9             | Integral, Power Canopy, or Remote |
| 11.6"          | 12            | Integral, Power Canopy, or Remote |
| 17.6"          | 18            | Integral, Power Canopy, or Remote |

## MOUNTING DIAGRAM DETAILS

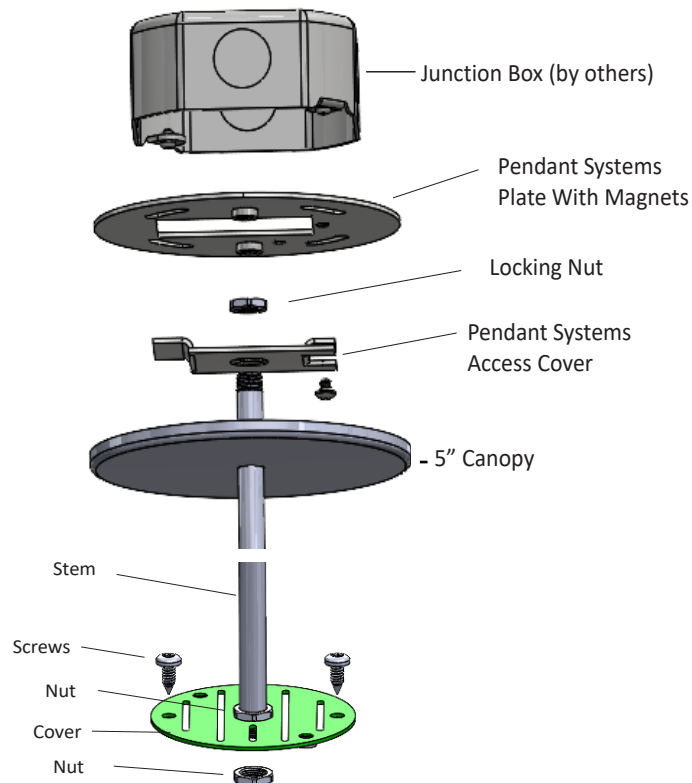
### Corded Power Drop Mount Detail

Ordering Code: FRC - Flat Round Canopy



### Stem Mount Detail

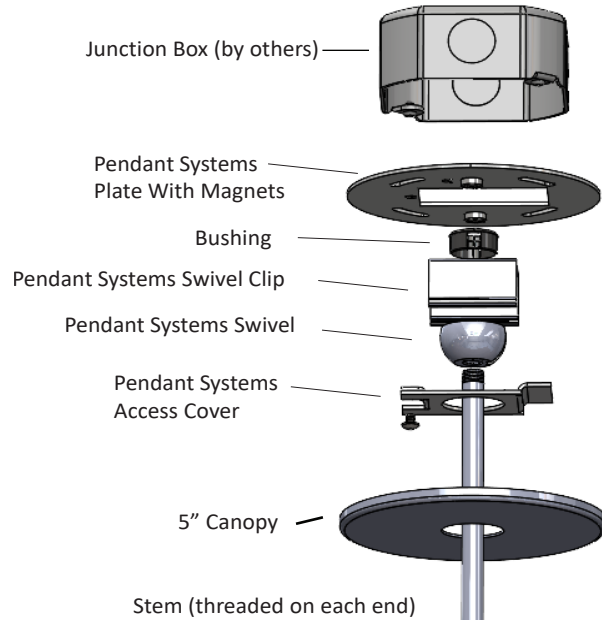
Ordering Code: FRC - Flat Round Canopy



**MOUNTING DIAGRAM DETAILS**

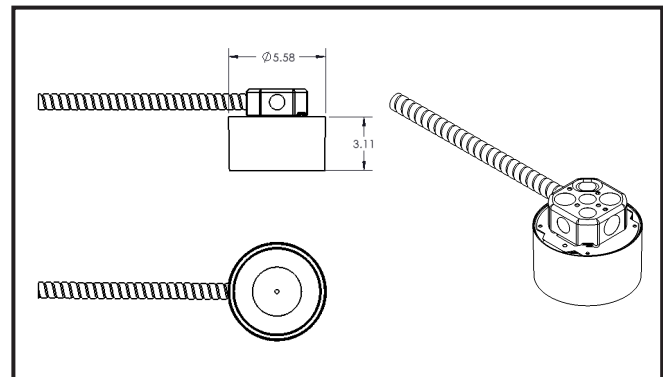
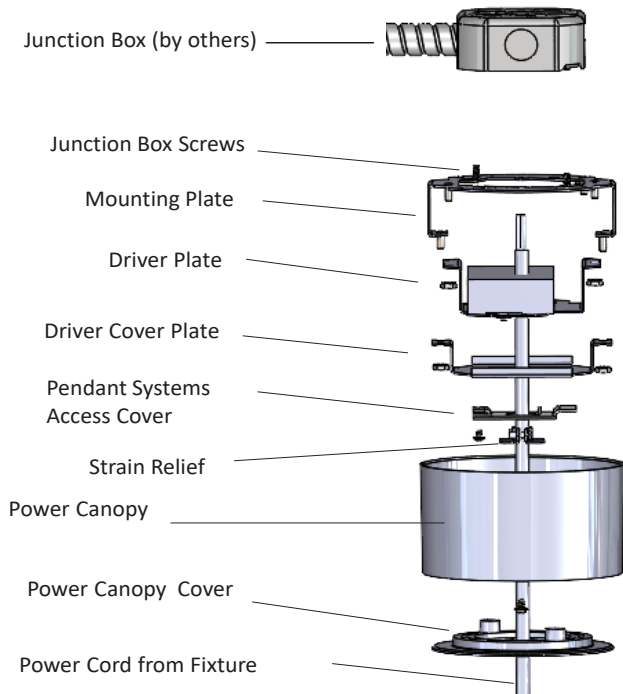
**Slope Ceiling Stem Mount Detail**

**Ordering Code: FRC - Flat Round Canopy**



**Powered Canopy Detail with Power Cord Mount**

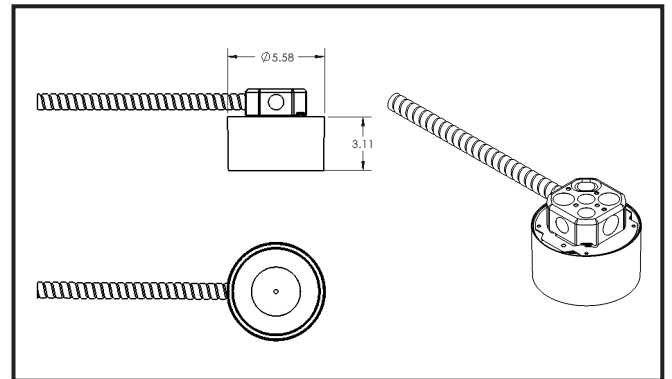
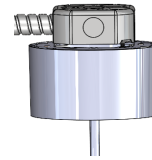
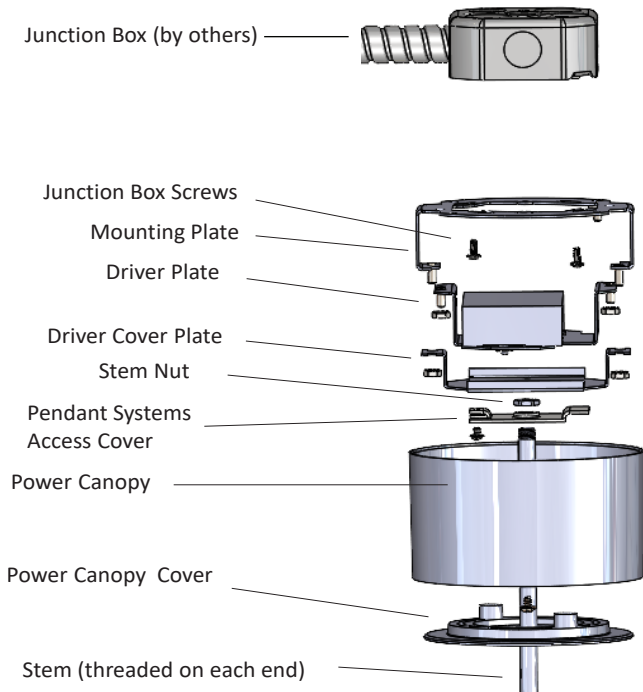
**Ordering Code: PRC - Powered Round Canopy**



**MOUNTING DIAGRAM DETAILS**

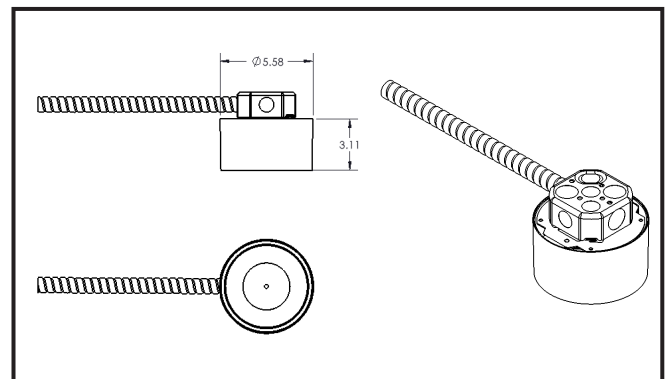
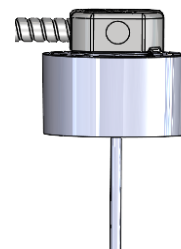
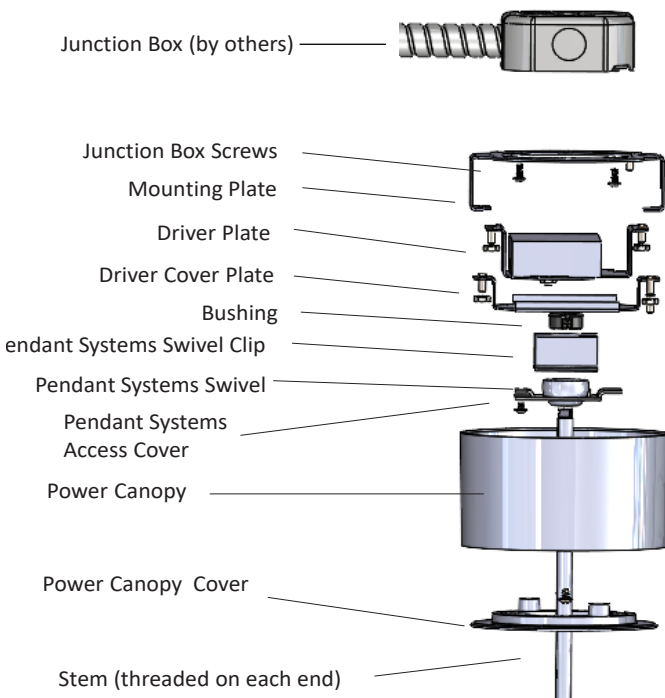
**Powered Canopy Detail with Stem Mount**

Ordering Code: PRC - Powered Round Canopy



**Powered Canopy Detail with Slope Ceiling Stem Mount**

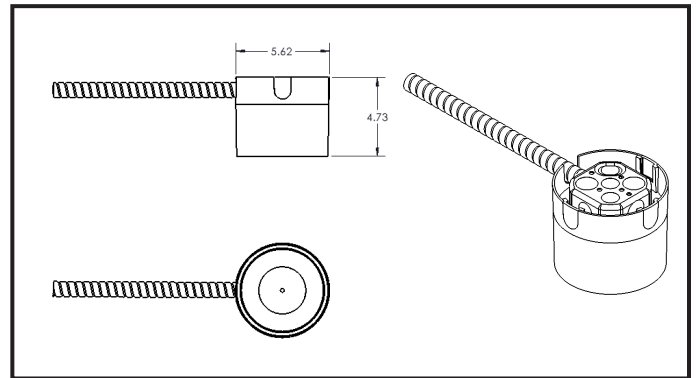
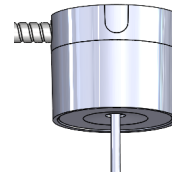
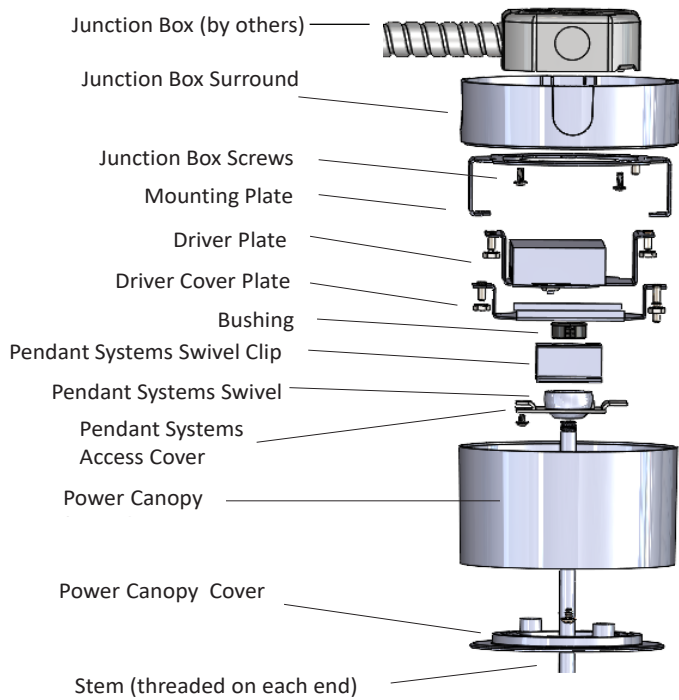
Ordering Code: PRC-SLP - Powered Round Surface J-Box Canopy, Slope Ceiling



**MOUNTING DIAGRAM DETAILS**

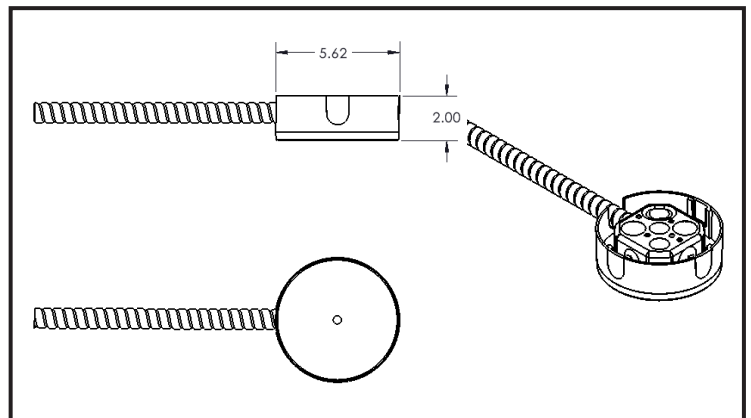
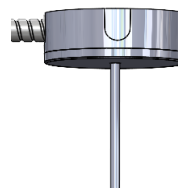
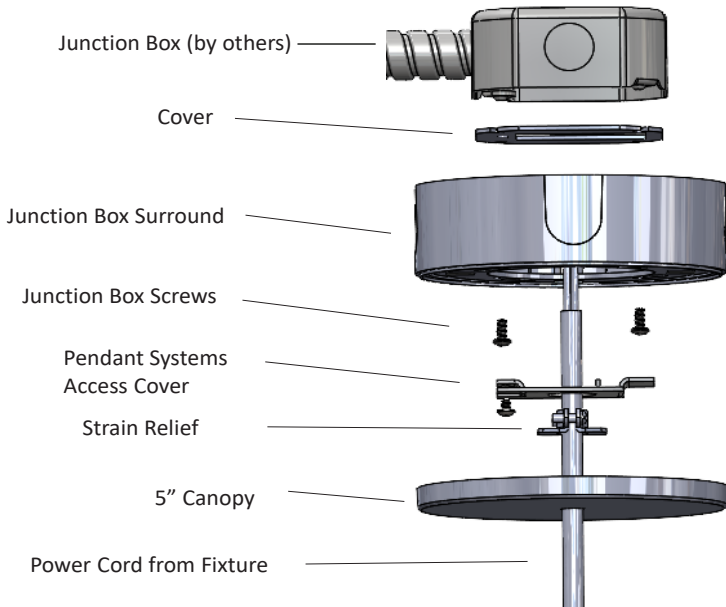
**Powered Canopy Detail with Surface Mount Slope Ceiling**

**Ordering Code: PRS-SLP - Powered Round Surface J-Box Canopy, Slope Ceiling**



**Surface Mounting Detail with Cord Mount**

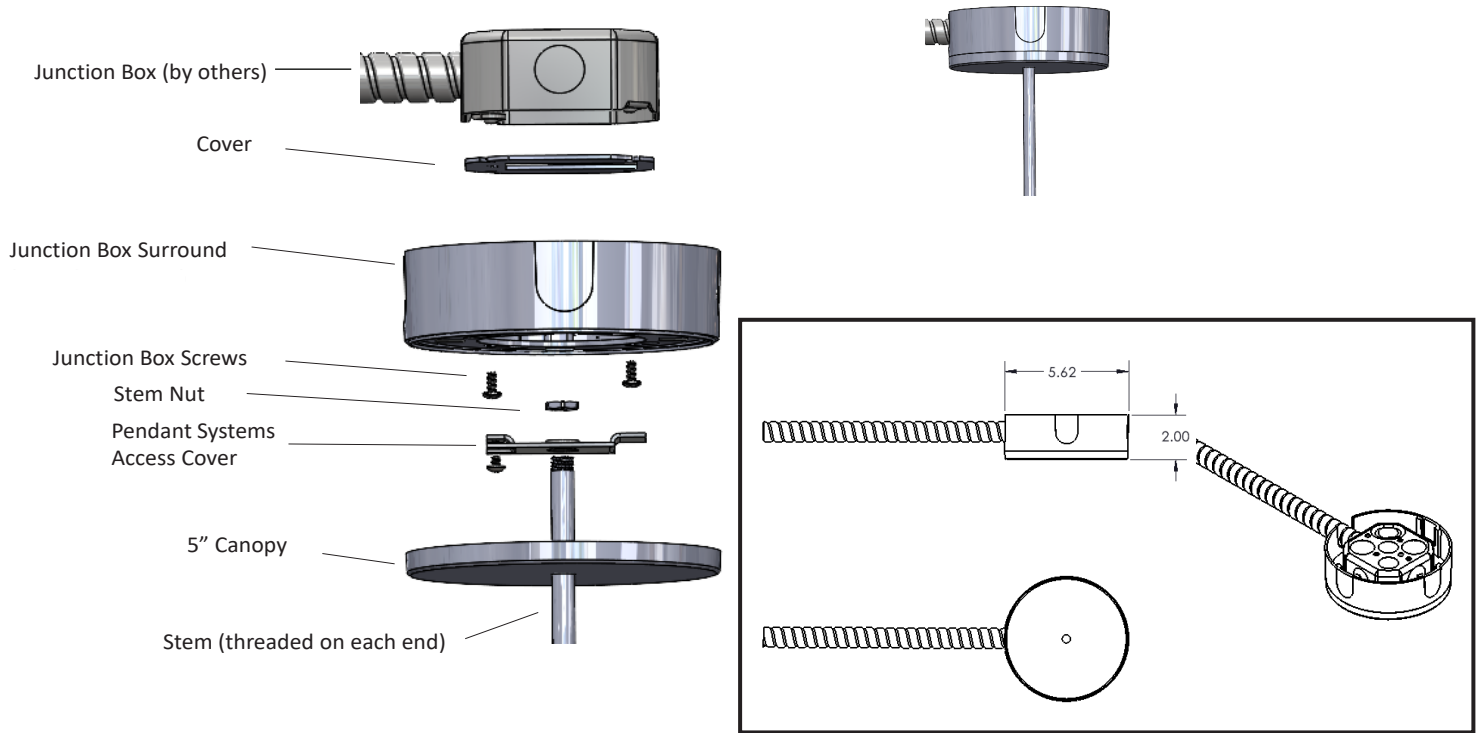
**Ordering Code: SRJ - Surface Round J-Box Canopy**



**MOUNTING DIAGRAM DETAILS**

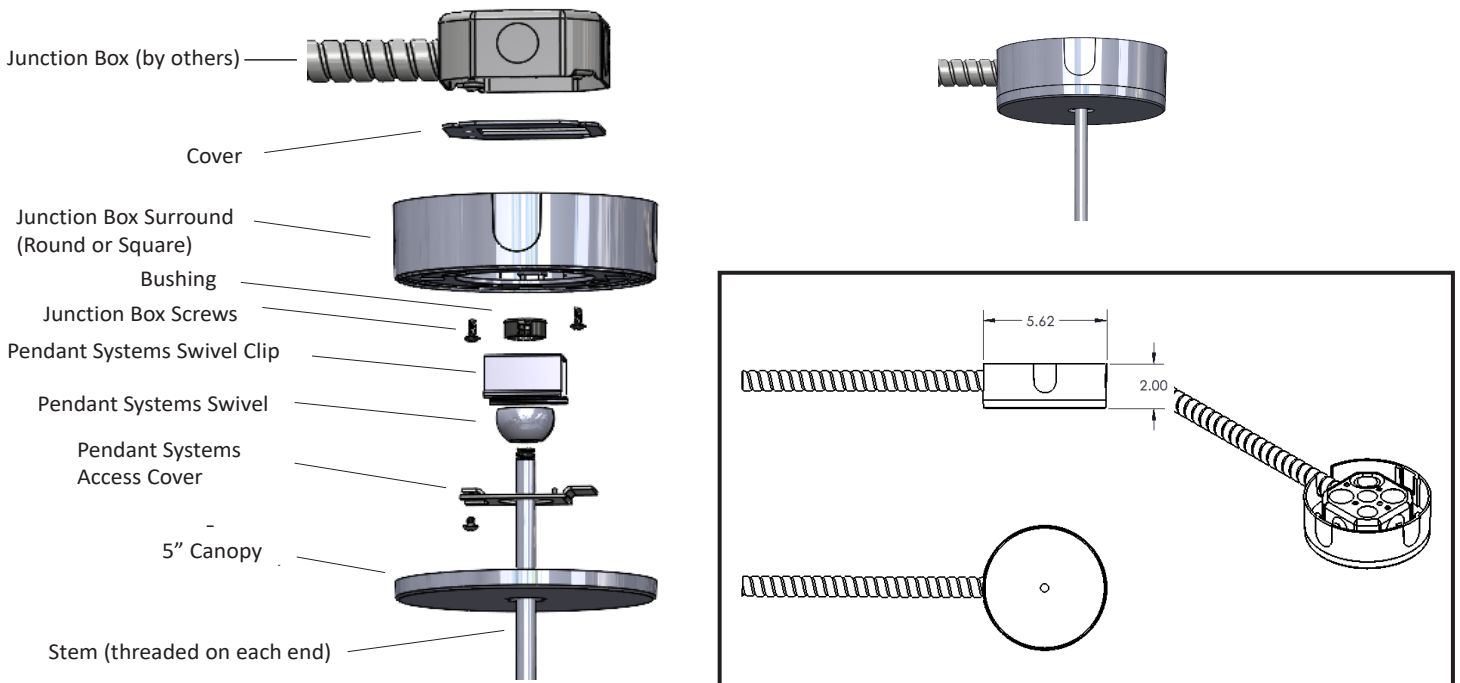
**Surface Mounting Detail with Stem Mount**

**Ordering Code: SRJ - Surface Round J-Box Canopy**



**Surface Mounting Detail with Slope Stem Mount**

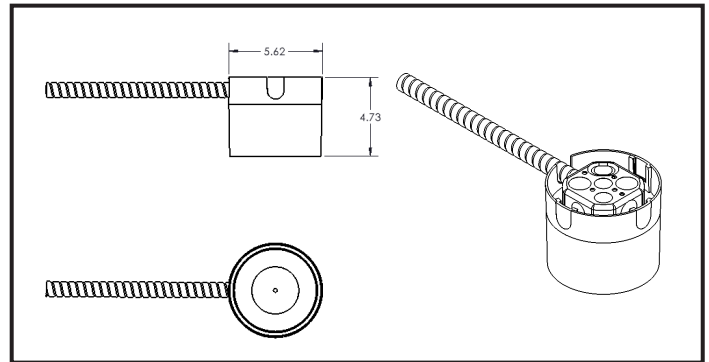
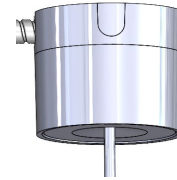
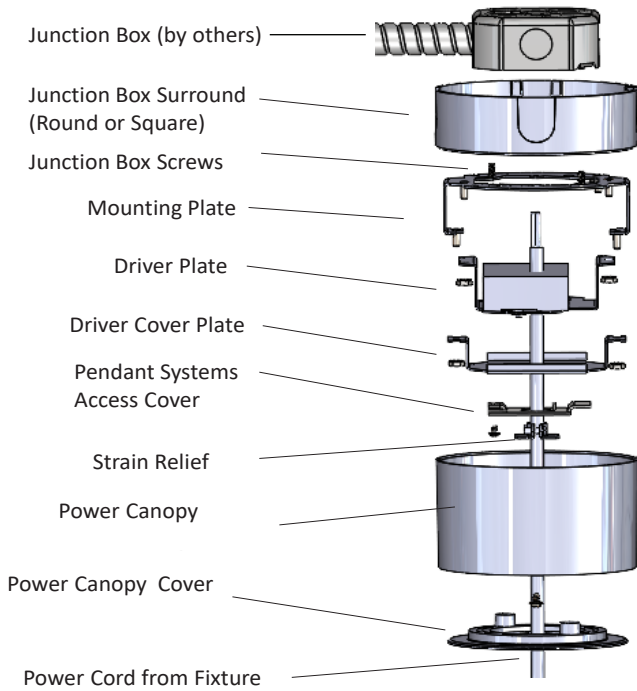
**Ordering Code: SRJ-SLP Surface Round J-Box, Slope Ceiling**





**MOUNTING DIAGRAM DETAILS**

**Surface Mount Ceiling Detail with Power Canopy and Power Cord**  
**Ordering Code: PRS - Power Round Surface**



**Surface Mount Ceiling Detail with Power Canopy and Stem**  
**Ordering Code: PRS - Power Round Canopy**

